



US00D761967S

(12) **United States Design Patent**
Tsai et al.

(10) **Patent No.:** **US D761,967 S**
(45) **Date of Patent:** **** Jul. 19, 2016**

(54) **DOCKING STATION OF REMOTE MEDICAL SYSTEM**

(56) **References Cited**

U.S. PATENT DOCUMENTS

(71) Applicant: **Quanta Computer Inc.**, Taoyuan (TW)

D391,926 S *	3/1998	Brunner	D14/125
D489,816 S *	5/2004	Ross	D24/107
D616,100 S *	5/2010	Moscovita	D24/169
D624,654 S *	9/2010	Shimizu	D24/186
D627,476 S *	11/2010	Gaw	D24/186
D645,847 S *	9/2011	Chau	D13/108
D669,181 S *	10/2012	Prado	D24/158
D683,034 S *	5/2013	Shigeno	D24/186
D697,051 S *	1/2014	Adams	D14/209.1
D697,214 S *	1/2014	Rosenfeldt	D24/186
D706,239 S *	6/2014	Chen	D14/186
D741,492 S *	10/2015	Formica	D24/164
D741,866 S *	10/2015	Ballout	D14/434

(72) Inventors: **Po-Chih Tsai**, Tainan (TW); **Ting-Han Huang**, Taichung (TW); **Chia-Yuan Chang**, Taichung (TW)

(73) Assignee: **QUANTA COMPUTER INC.**, Guishan Dist., Taoyuan (TW)

(**) Term: **14 Years**

* cited by examiner

(21) Appl. No.: **29/517,431**

Primary Examiner — Ian Simmons

Assistant Examiner — Samantha Q Lawrence

(22) Filed: **Feb. 12, 2015**

(74) *Attorney, Agent, or Firm* — Rabin & Berdo, P.C.

(30) **Foreign Application Priority Data**

(57) **CLAIM**

The ornamental design for a docking station of remote medical system, as shown and described.

Dec. 3, 2014 (TW) 103307116

DESCRIPTION

(51) **LOC (10) Cl.** **24-02**

FIG. 1 is a perspective view of a docking station of remote medical system showing our new design;
FIG. 2 is a front view thereof;
FIG. 3 is a rear view thereof;
FIG. 4 is a left side view thereof;
FIG. 5 is a right side view thereof;
FIG. 6 is a top view thereof; and
FIG. 7 is a bottom view thereof.

(52) **U.S. Cl.**

USPC **D24/186**

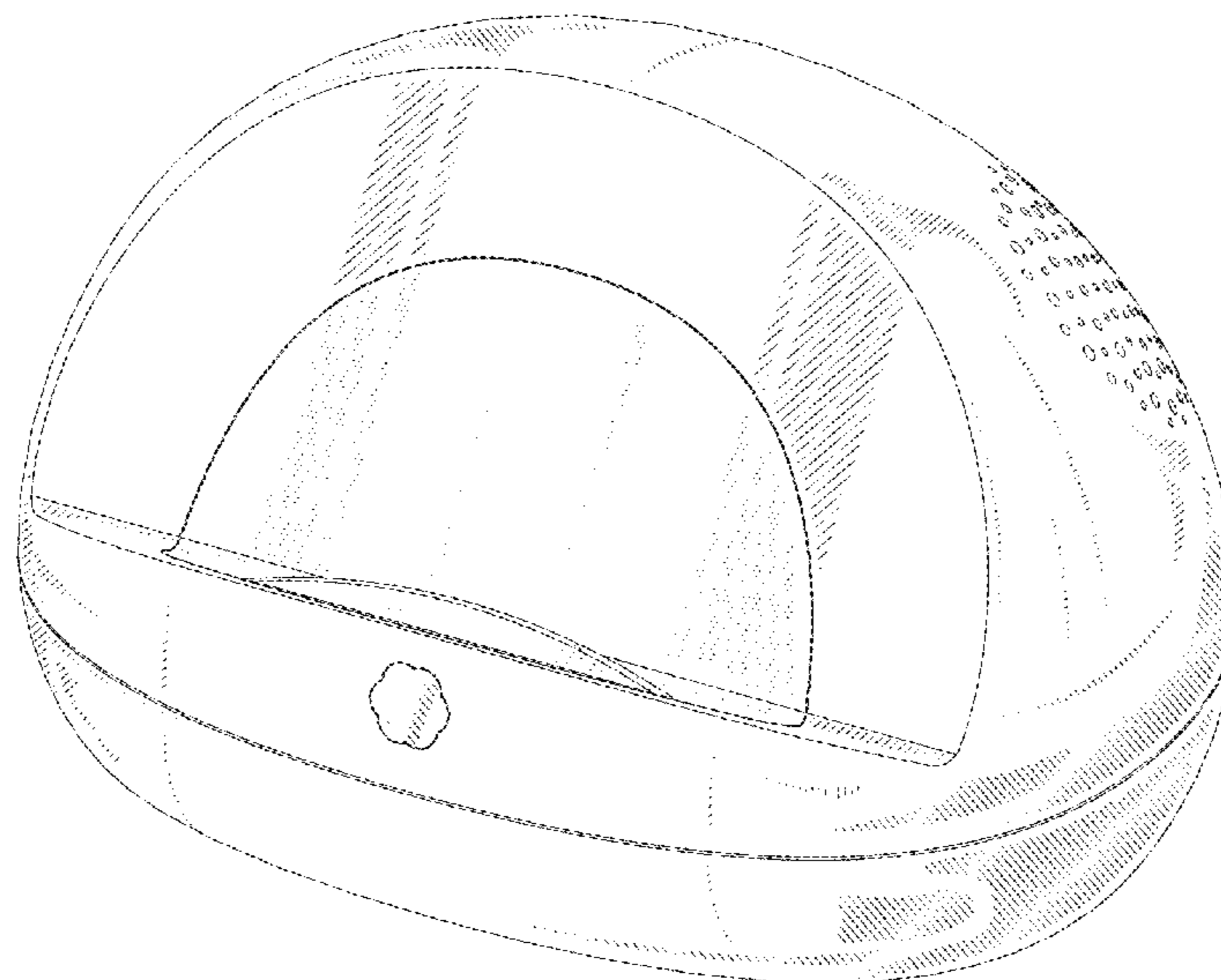
(58) **Field of Classification Search**

USPC D24/110, 138, 160, 164–169, 172,
D24/186–188, 200, 216; D10/60, 102–103;
D14/305, 307, 335, 336, 340–345,
D14/371–375, 434, 356; 600/301, 376, 453,
600/103, 513, 484, 519, 528, 532, 536, 538,
600/586, 549

The broken line areas shown in portions of the docking station of remote medical system, form no part of the claimed design.

See application file for complete search history.

1 Claim, 7 Drawing Sheets



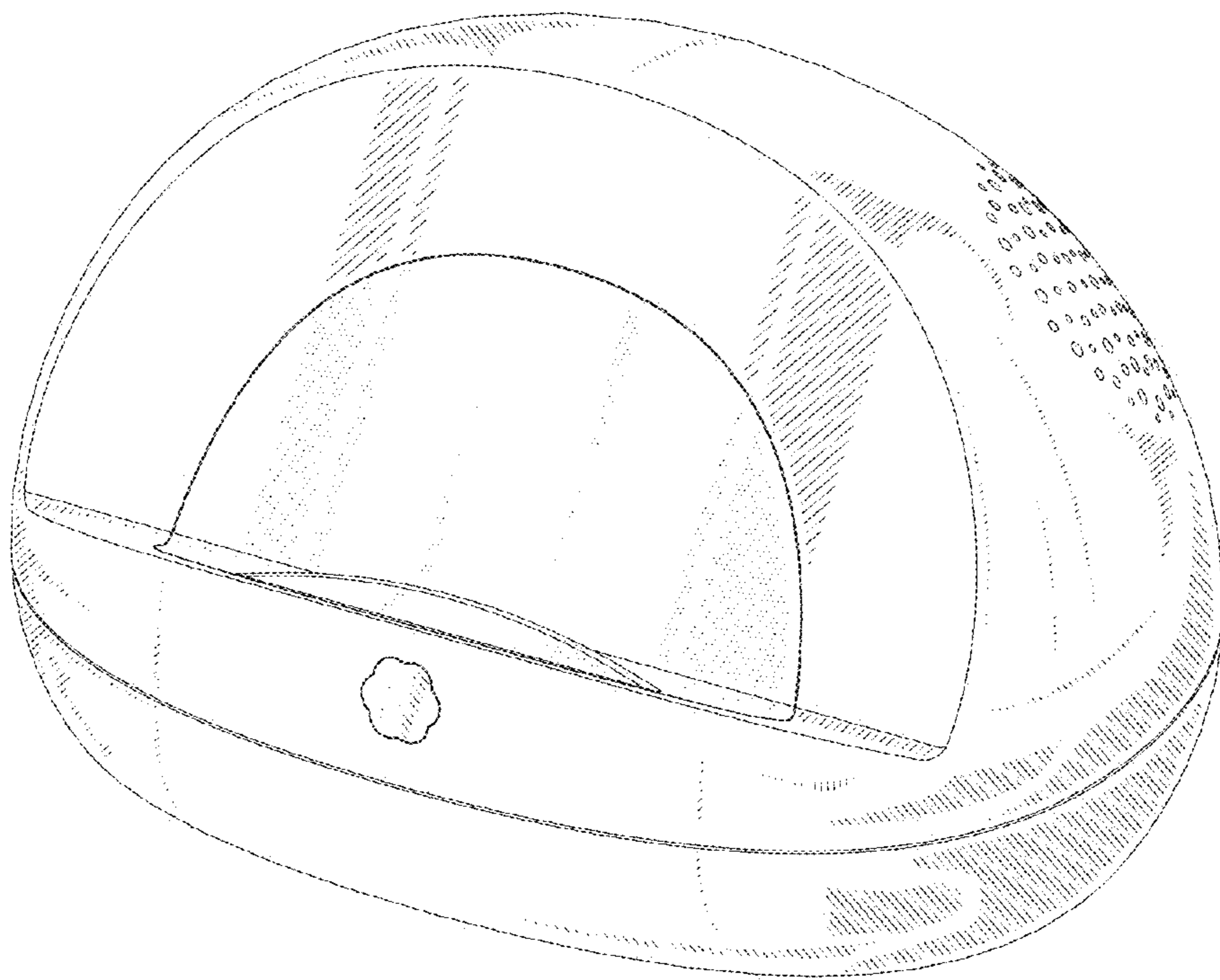


Fig. 1

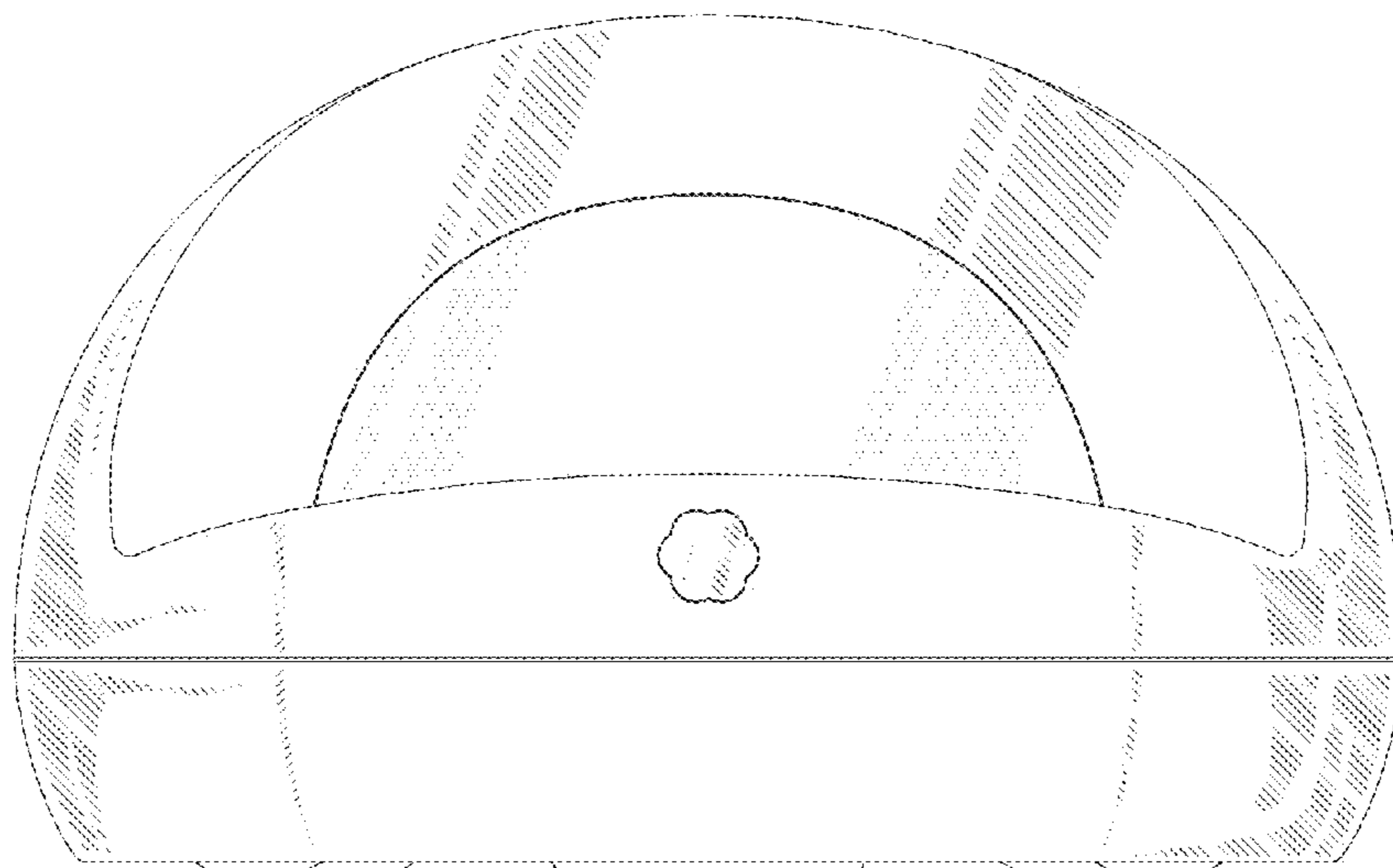


Fig. 2

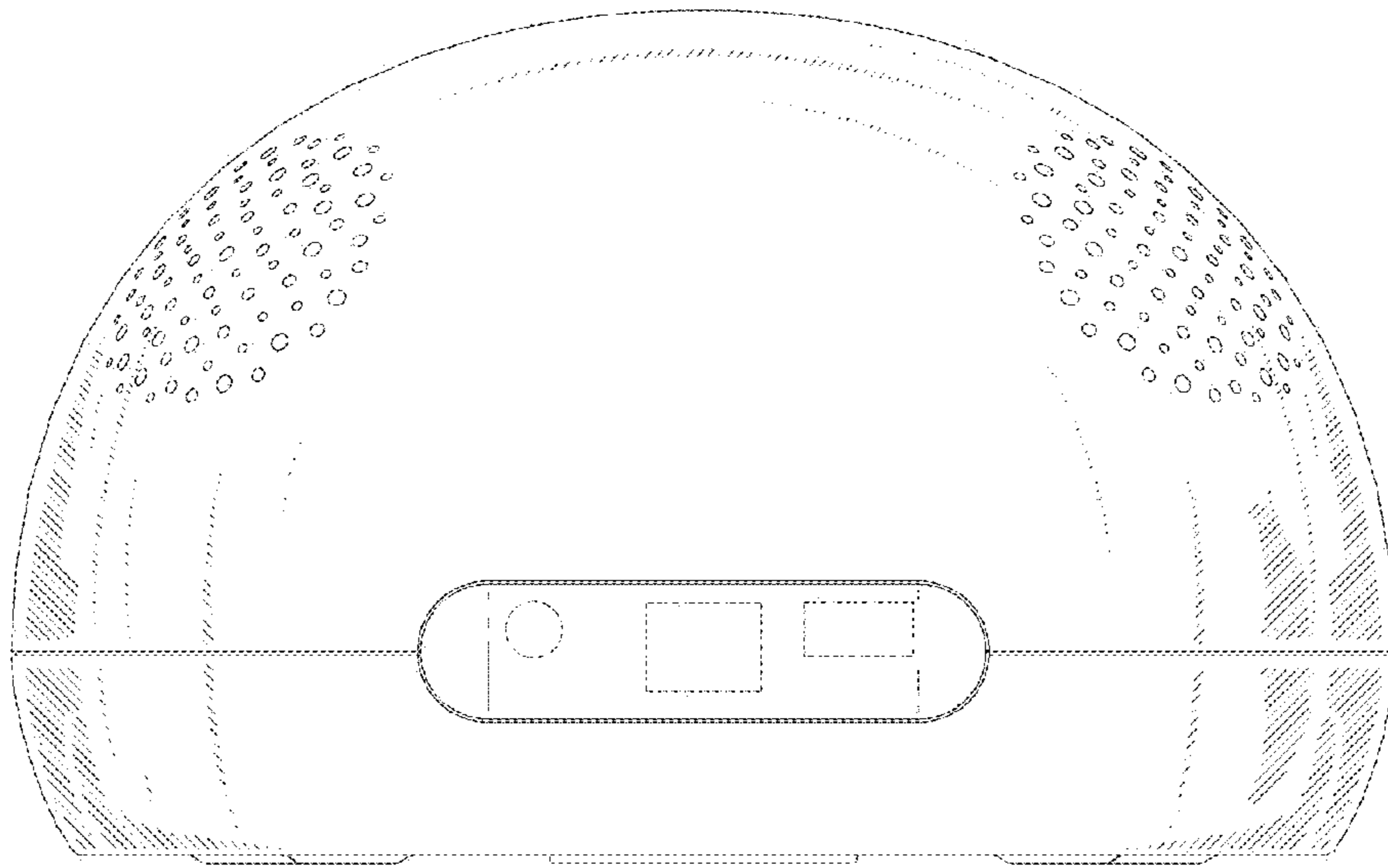


Fig. 3

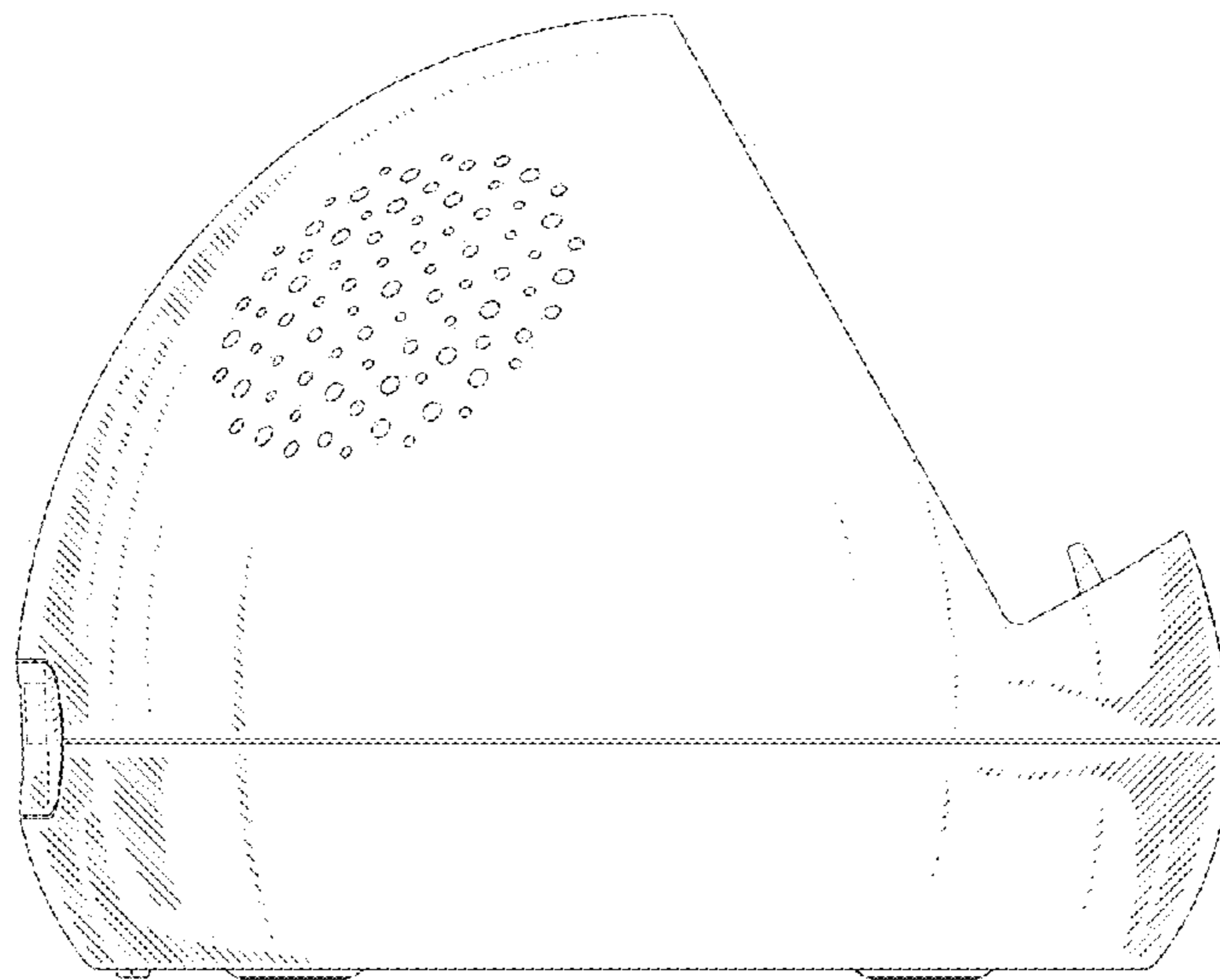


Fig. 4

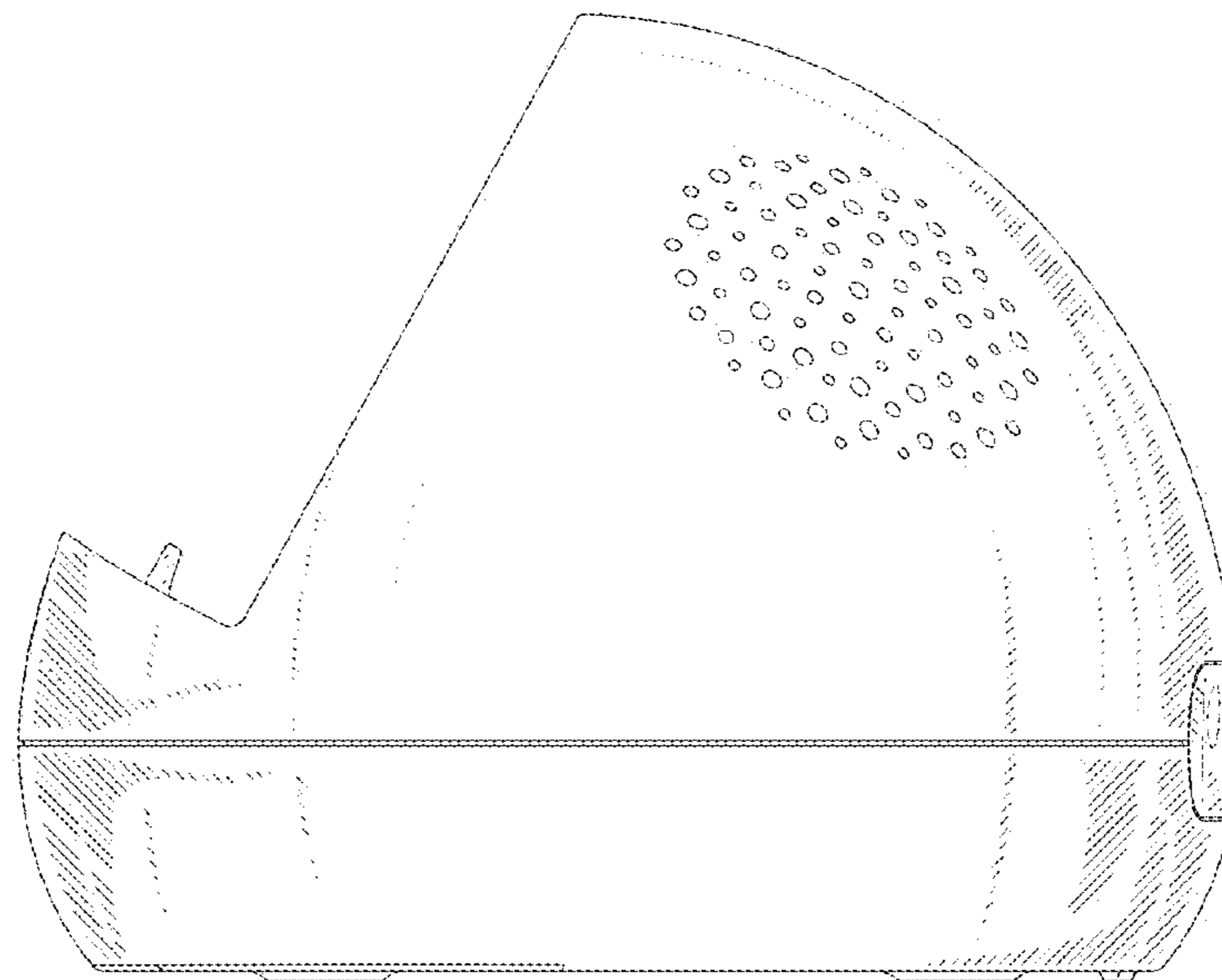


Fig. 5

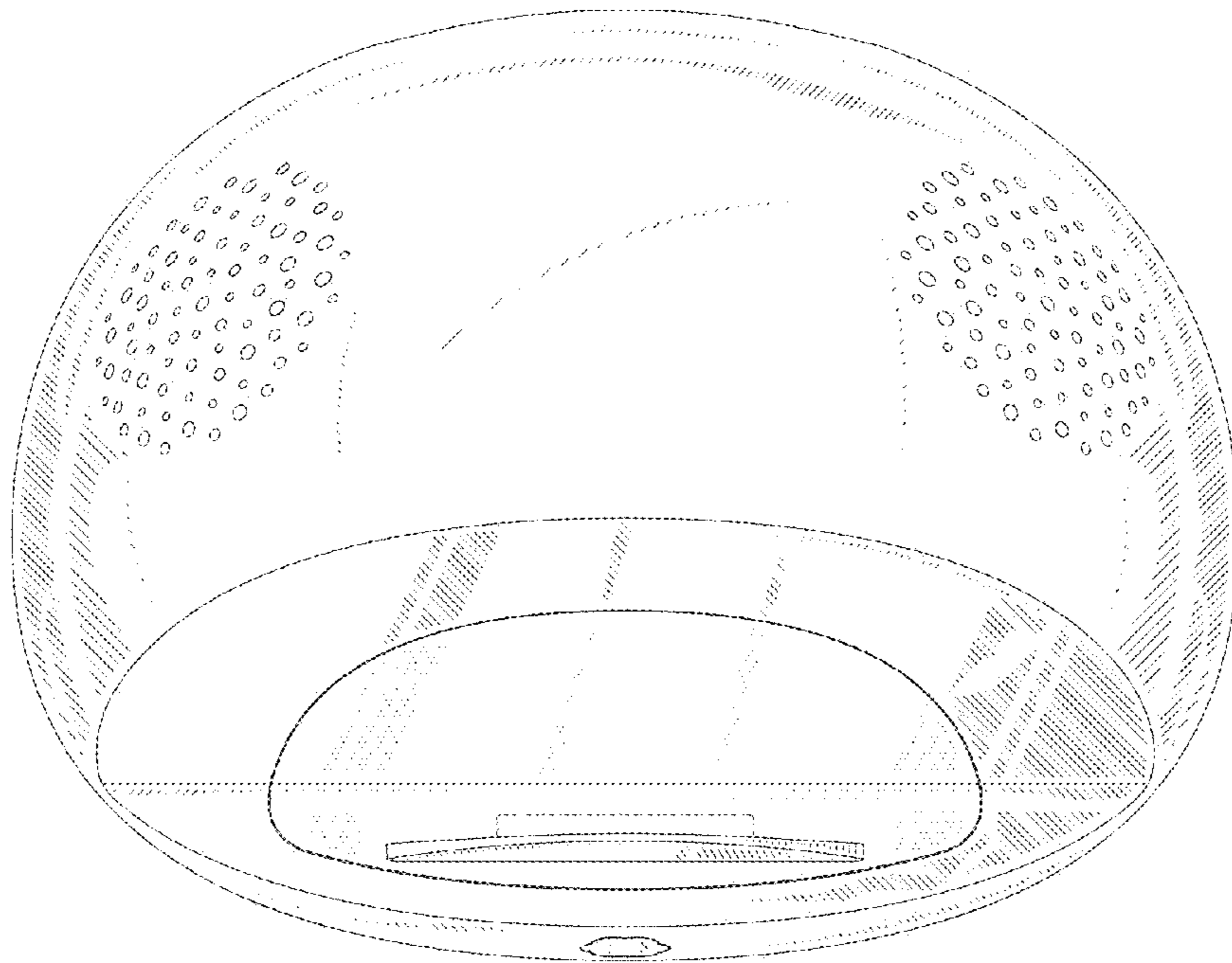


Fig. 6

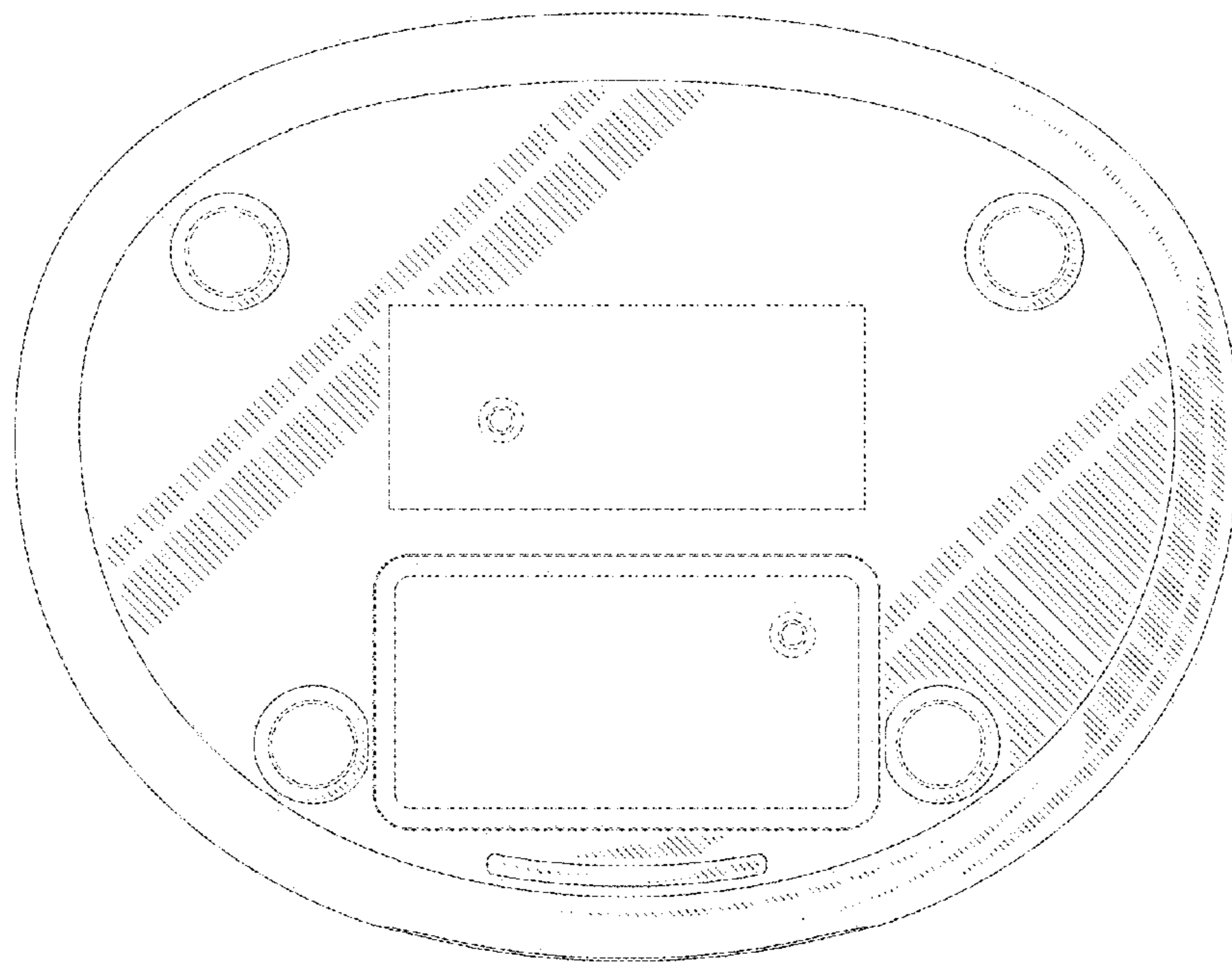


Fig. 7