



US00D761966S

(12) **United States Design Patent**
Jamison et al.

(10) **Patent No.:** **US D761,966 S**
(45) **Date of Patent:** **** Jul. 19, 2016**

(54) **PORTION OF AN EXAMINATION CHAIR**

- (71) Applicant: **Reliance Medical Products, Inc.**,
Mason, OH (US)
- (72) Inventors: **Chris M. Jamison**, West Chester, OH
(US); **Ray Wright**, Loudon, TN (US);
Antonio Belton, Richton Park, IL (US);
Dominik J. Beck, Menlo Park, CA (US)
- (73) Assignee: **Reliance Medical Products, Inc.**, Mason,
OH (US)
- (**) Term: **14 Years**
- (21) Appl. No.: **29/493,580**
- (22) Filed: **Jun. 11, 2014**

Related U.S. Application Data

- (60) Continuation of application No. 29/437,490, filed on
Nov. 16, 2012, now Pat. No. Des. 707,068, which is a
division of application No. 29/404,346, filed on Oct.
19, 2011, now Pat. No. Des. 680,223.
- (51) **LOC (10) Cl.** **24-01**
- (52) **U.S. Cl.**
USPC **D24/178**
- (58) **Field of Classification Search**
USPC D24/172, 176-185; D6/708, 334, 336,
D6/360-361, 335, 367
CPC A61B 3/02; A61B 3/024; A61B 3/028;
A61B 3/0033; A61B 3/0075; A61B 3/0083;
A61G 15/00; A61G 15/02; A61G 15/10;
A61G 15/12; A61G 15/14; A47C 7/62;
A47C 7/46; A47C 7/50; A47C 7/506
See application file for complete search history.

(56) **References Cited**

U.S. PATENT DOCUMENTS

2,491,242 A 12/1949 Alexander
D180,350 S 5/1957 Armbruster

(Continued)

OTHER PUBLICATIONS

Topcon IS-2500 Instrument Stand. Cal Coast Ophthalmic Instru-
ments, Inc. Copyright 2005. [Retrieved on Sep. 12, 2012]. Retrieved
from the Internet: <URL:http://www.calcoastophthalmic.com/prod-
ucts/stands/topcon IS2500/>.

(Continued)

Primary Examiner — Wan Laymon

(74) *Attorney, Agent, or Firm* — Taft Stettinius & Hollister
LLP; Ryan O. White

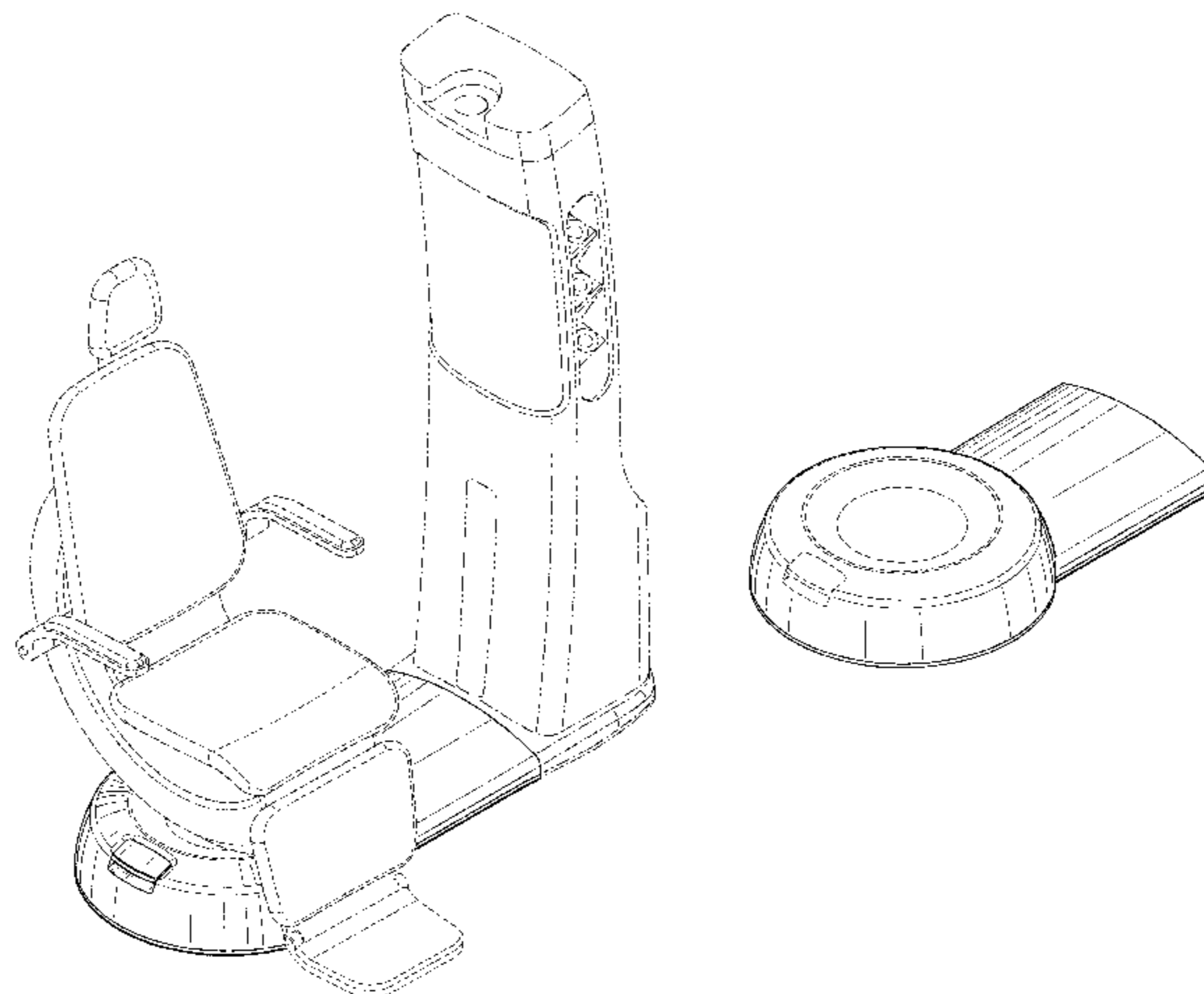
(57) **CLAIM**

The ornamental design for a portion of an examination chair,
as shown and described.

DESCRIPTION

FIG. 1 is a front perspective view of a portion of an exami-
nation chair according to a first embodiment of the invention.
FIG. 2 is a front view of FIG. 1.
FIG. 3 is a left side view of FIG. 1.
FIG. 4 is a right side view of FIG. 1.
FIG. 5 is a rear elevational view of FIG. 1.
FIG. 6 is a top elevational view of FIG. 1.
FIG. 7 is a bottom elevational view of FIG. 1.
FIG. 8 is a front perspective view similar to FIG. 1 but with the
dashed lines removed for clarity.
FIG. 9 is a front view similar to FIG. 2 but with the dashed
lines removed for clarity.
FIG. 10 is a top view similar to FIG. 6 but with the dashed
lines removed for clarity.
FIG. 11 is a front perspective view of a portion of an exami-
nation chair according to a second embodiment of the inven-
tion.
FIG. 12 is a left side elevational view of FIG. 11, the right side
view being identical; and,
FIG. 13 is a top elevational view of FIG. 11.
Any elements shown in dash-dot lines form no part of the
claimed invention in this application, and are instead included
to show environmental aspects of the claimed invention. The
dashed lines form unclaimed boundaries of the design and
form no part of the claimed invention.

1 Claim, 8 Drawing Sheets



(56)

References Cited

U.S. PATENT DOCUMENTS

2,874,689 A 2/1959 Gavelek
 D194,673 S 2/1963 Watlington
 3,198,574 A 8/1965 Hayashi et al.
 3,259,355 A 7/1966 Slouka
 D206,532 S 12/1966 Gardella
 D206,585 S 1/1967 Gardella
 3,414,324 A 12/1968 Taylor et al.
 3,436,046 A 4/1969 Valeska
 3,486,789 A 12/1969 Taylor et al.
 3,578,379 A 5/1971 Taylor et al.
 3,873,152 A 3/1975 Garas
 D235,274 S 6/1975 Armbruster
 D236,299 S 8/1975 Long
 D263,434 S 3/1982 Miller
 D268,149 S 3/1983 Case
 4,415,203 A 11/1983 Cawley
 4,415,204 A 11/1983 Cavrak
 4,643,547 A * 2/1987 Collins A61B 3/18
 108/139
 4,657,217 A 4/1987 Kiesel et al.
 D292,526 S 10/1987 Nakayama
 4,741,506 A 5/1988 Schwaegerle
 D300,657 S 4/1989 Simpkins et al.
 4,852,941 A 8/1989 Jones
 4,910,386 A 3/1990 Johnson
 D321,097 S 10/1991 Jones et al.
 D333,736 S 3/1993 Nordstrom
 5,313,961 A 5/1994 McKee
 5,348,375 A 9/1994 Steininger
 D352,106 S 11/1994 Fanney et al.
 D353,201 S 12/1994 Crook et al.
 D354,176 S 1/1995 Schwaegerle et al.
 D354,177 S 1/1995 Schwaegerle et al.
 5,399,007 A 3/1995 Marconet
 D361,674 S 8/1995 Carter, Sr.
 5,461,965 A 10/1995 Schwaegerle
 5,467,002 A 11/1995 Brooks
 5,480,212 A 1/1996 Marconet
 5,520,363 A 5/1996 Burton et al.
 5,580,023 A 12/1996 Burton et al.
 D378,315 S 3/1997 Schwaegerle et al.
 5,624,159 A 4/1997 Celoni et al.
 D379,409 S 5/1997 Schwaegerle et al.
 5,645,313 A 7/1997 Best et al.
 5,696,574 A 12/1997 Schwaegerle
 5,717,480 A 2/1998 Brooks et al.
 5,777,344 A 7/1998 Hayashi
 D397,259 S 8/1998 Chatani et al.
 D407,379 S 3/1999 Schwaegerle
 5,907,387 A 5/1999 Schwaegerle
 D412,621 S 8/1999 Smith et al.
 D412,801 S 8/1999 Smith et al.
 5,992,934 A 11/1999 Gehrig et al.
 D418,339 S 1/2000 Smith et al.
 D418,686 S 1/2000 Smith et al.
 D419,343 S 1/2000 Smith et al.
 D420,233 S 2/2000 Smith et al.
 D423,262 S 4/2000 Smith et al.
 D424,200 S 5/2000 Smith

D424,337 S 5/2000 Smith et al.
 D425,341 S 5/2000 Smith et al.
 D425,735 S 5/2000 Smith et al.
 D425,991 S 5/2000 Smith et al.
 D426,715 S 6/2000 Smith et al.
 6,095,649 A 8/2000 Brooks et al.
 6,106,065 A 8/2000 Carroll
 D433,588 S 11/2000 Smith et al.
 6,264,329 B1 7/2001 Brooks et al.
 D456,080 S 4/2002 Karlsson
 D456,158 S 4/2002 Van Severen
 6,382,725 B1 5/2002 Carroll
 D458,378 S 6/2002 Bevington
 6,575,575 B2 6/2003 O'Brien et al.
 6,721,976 B2 4/2004 Schwaegerle
 6,736,360 B1 5/2004 Buczek
 6,802,564 B2 * 10/2004 Brockway A61G 15/02
 297/300.1
 D503,233 S 3/2005 Smith
 D504,515 S 4/2005 Smith
 6,886,199 B1 5/2005 Schwaegerle
 D506,257 S 6/2005 Smith
 6,928,676 B1 8/2005 Schwaegerle
 D509,079 S 9/2005 Natuzzi
 D509,371 S 9/2005 Natuzzi
 D512,507 S 12/2005 Smith
 D514,701 S 2/2006 Smith
 D531,318 S 10/2006 Morral Gispert
 D533,368 S 12/2006 Natuzzi
 7,207,531 B2 4/2007 Piontkowski
 7,401,921 B2 7/2008 Baker et al.
 7,467,871 B2 12/2008 Lawhorn et al.
 D602,269 S 10/2009 Jamison et al.
 7,670,003 B2 3/2010 Kendrick
 D621,050 S 8/2010 Jamison et al.
 D621,185 S * 8/2010 Alvarez D6/708
 D649,370 S 11/2011 Mann
 8,061,664 B2 * 11/2011 Ochsner A61G 15/02
 248/157
 D672,583 S 12/2012 Karim
 D675,322 S 1/2013 Jamison et al.
 D680,223 S 4/2013 Jamison et al.
 8,936,315 B2 * 1/2015 Fienup A61B 3/024
 297/330
 2010/0205742 A1 * 8/2010 Stone A61G 15/12
 5/617
 2011/0147546 A1 6/2011 Monsalve et al.
 2013/0099539 A1 4/2013 Fienup et al.
 2013/0100411 A1 4/2013 Corrigan et al.
 2013/0100412 A1 4/2013 Schwaegerle et al.

OTHER PUBLICATIONS

Ophthalmic Chair and Instrument Stand Model 1500, Protech Ophthalmics, Copyright 2012. [Retrieved on Sep. 12, 2012]. Retrieved from the Internet: <URL:http://www.eyedoctorsupply.com/servlet/the-140/Ophthalmic-Chair-And-Instrument/Detail>. Topcon CSIII Chair and Stand. Vision Systems Inc. [Retrieved on Sep. 12, 2012]. Retrieved from the Internet: <URL:http://www.pat-ternless.com/topcon-csiii-chair-and-stand/>.

* cited by examiner

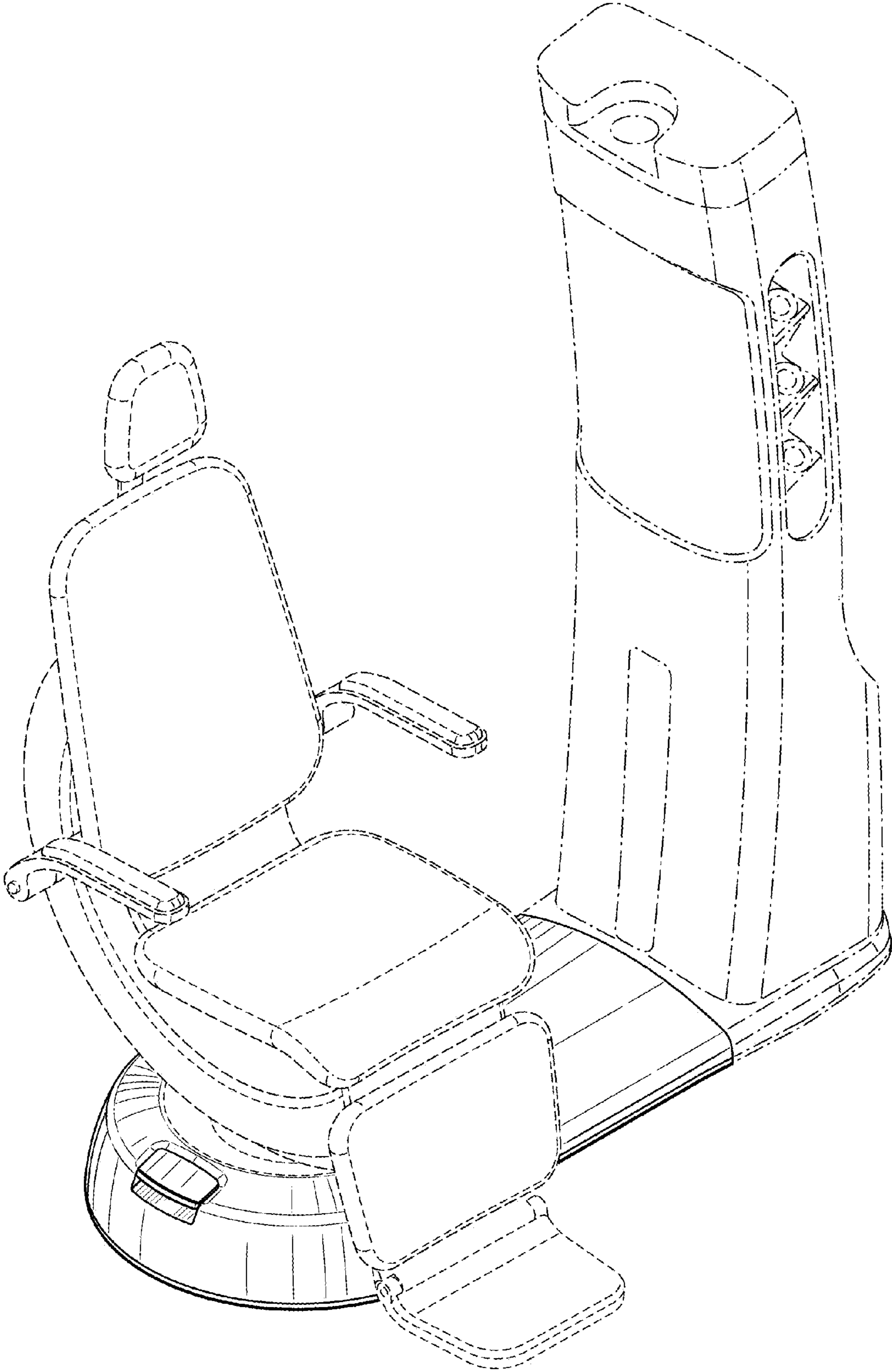


FIG. 1

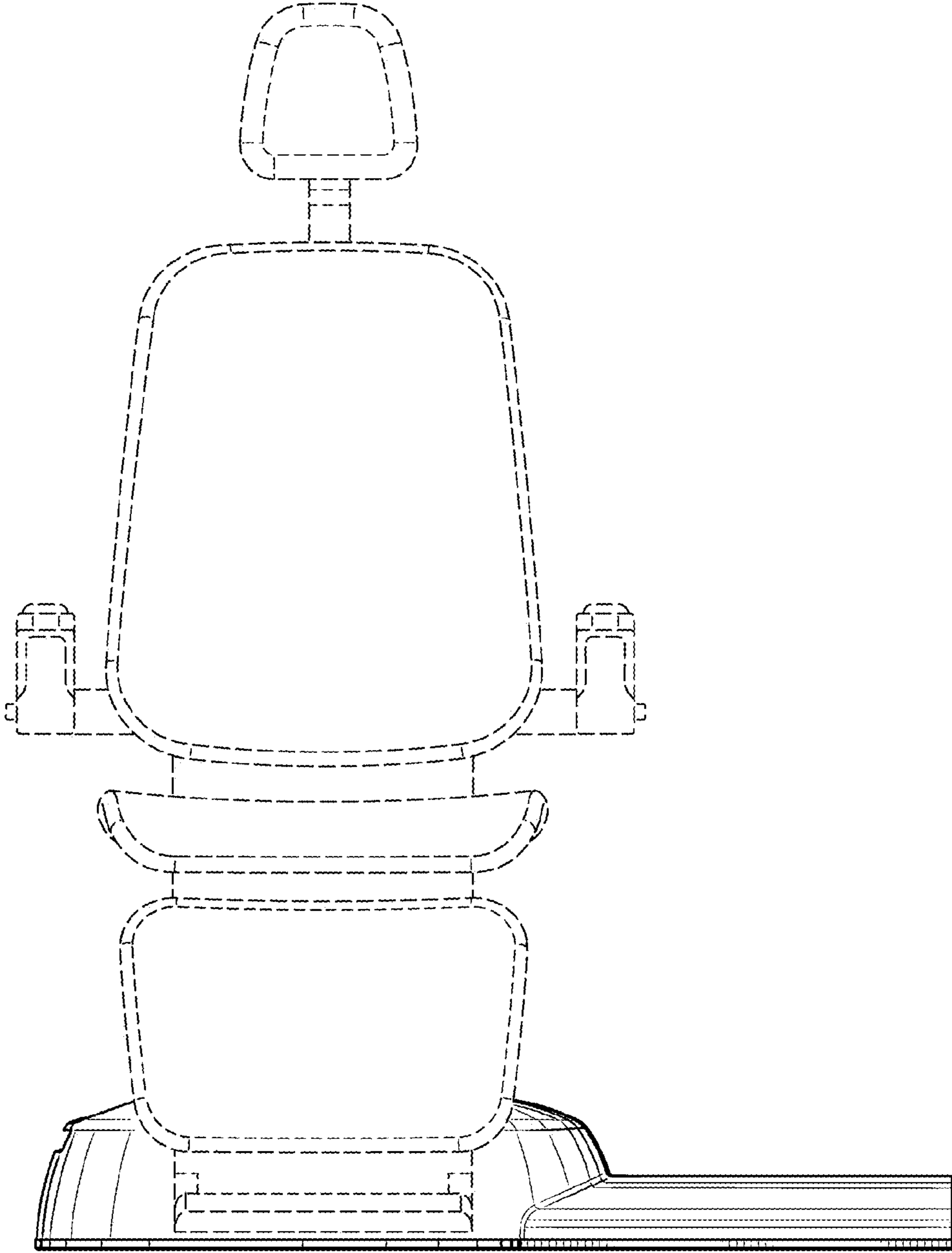


FIG. 2

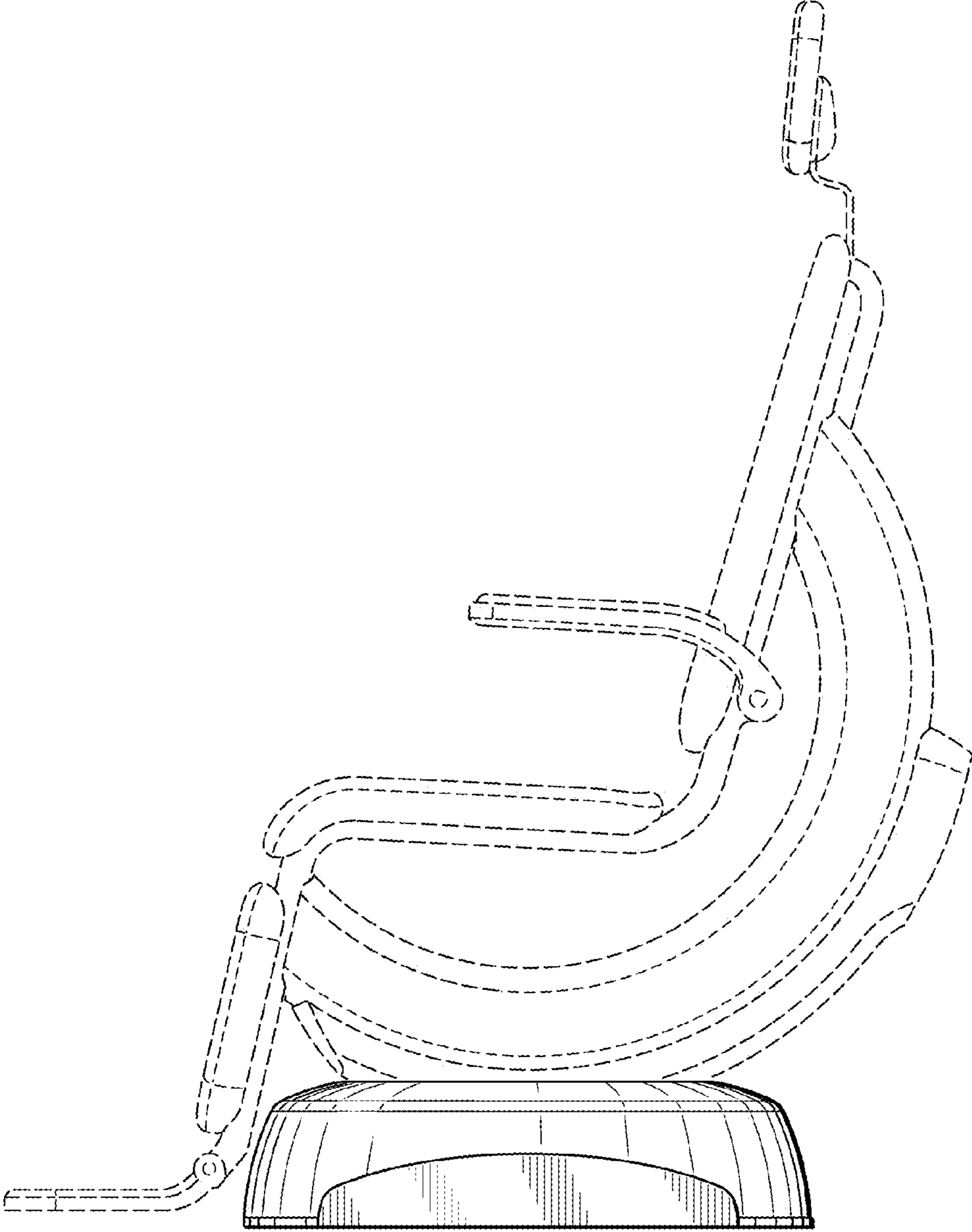


FIG. 4

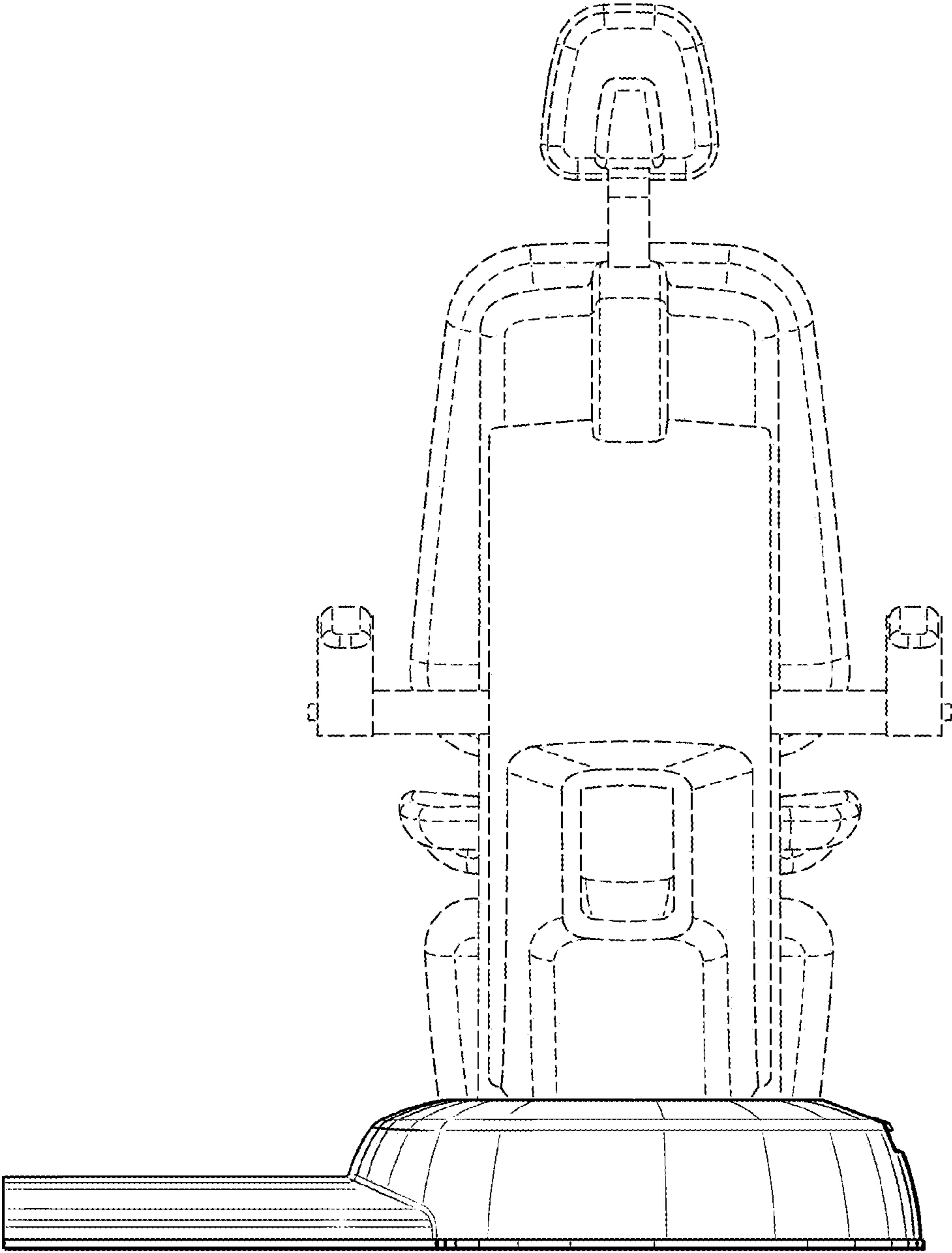


FIG. 5

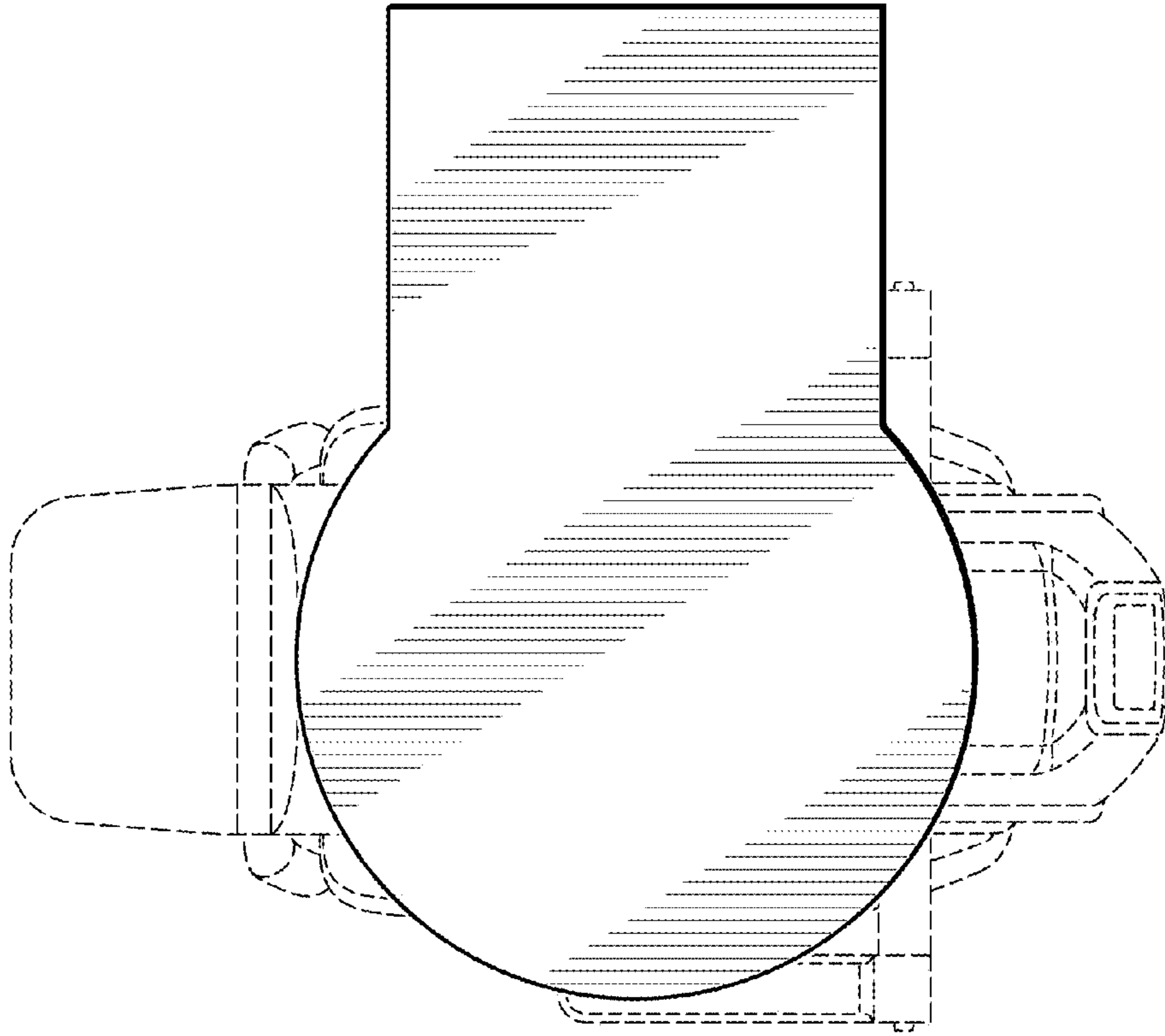


FIG. 7

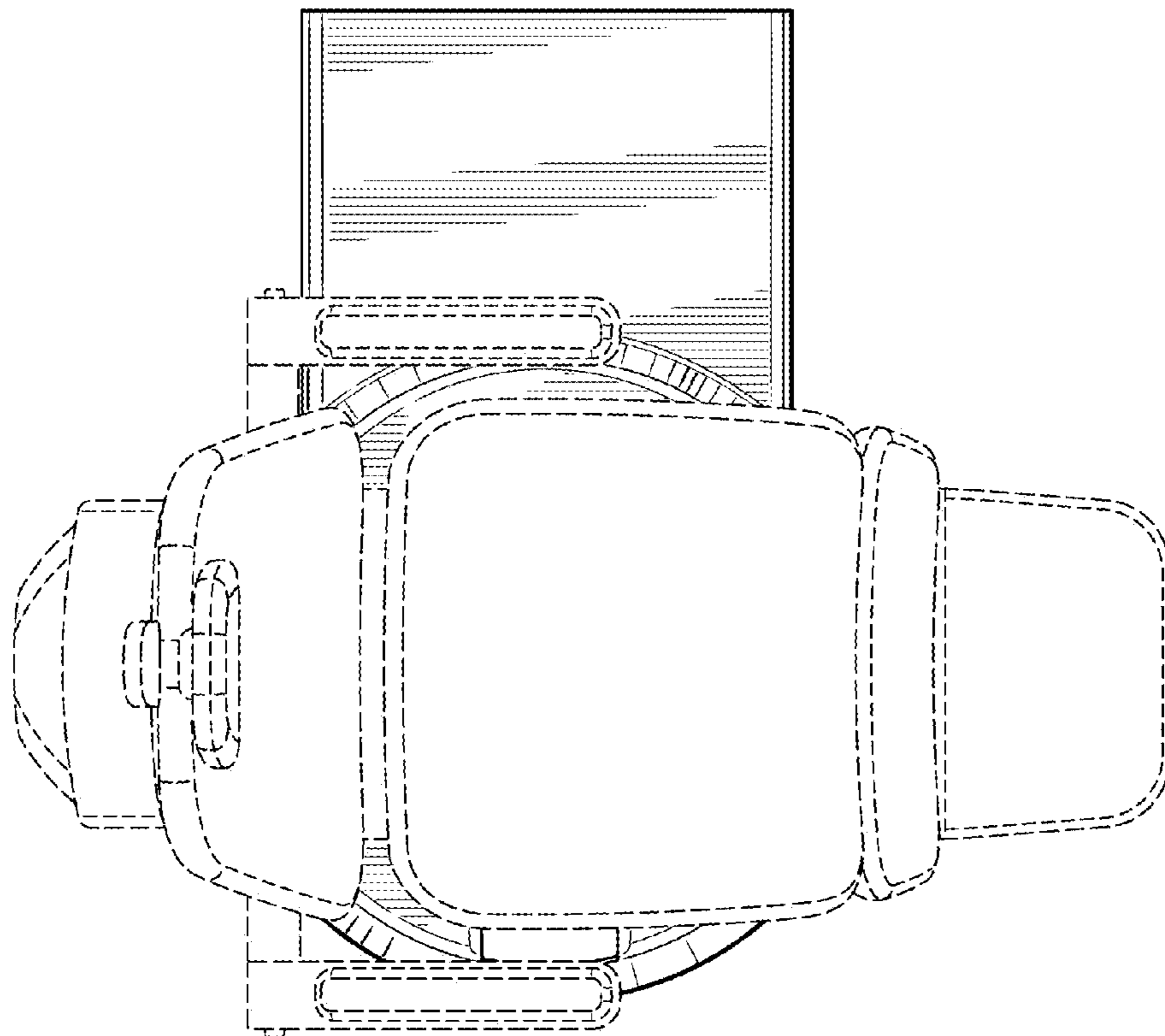


FIG. 6

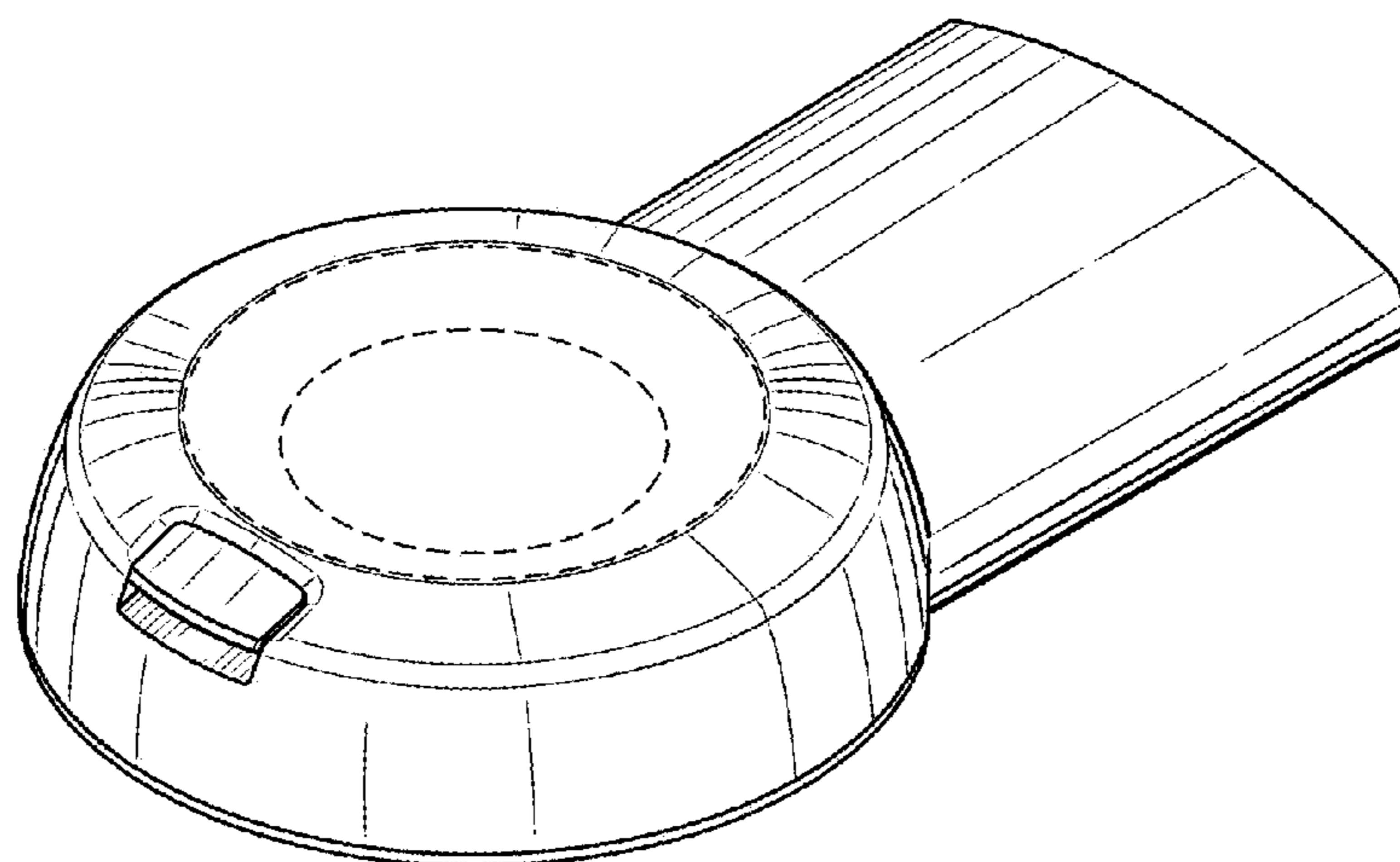


FIG. 8

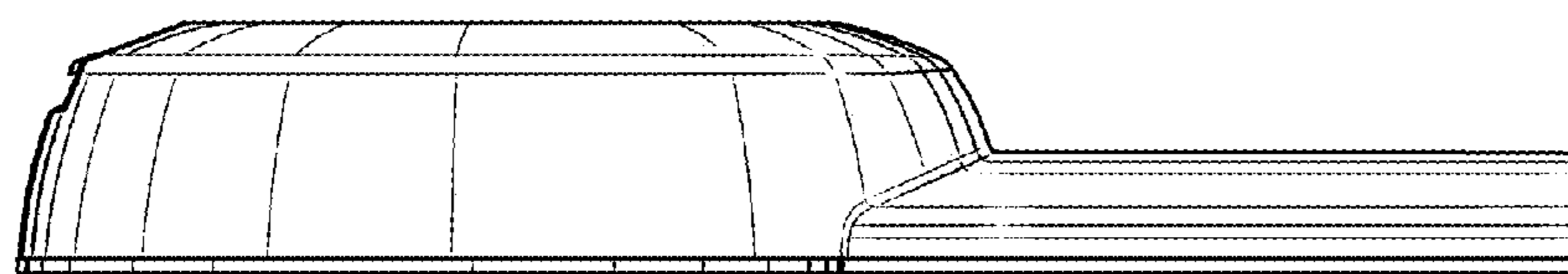


FIG. 9

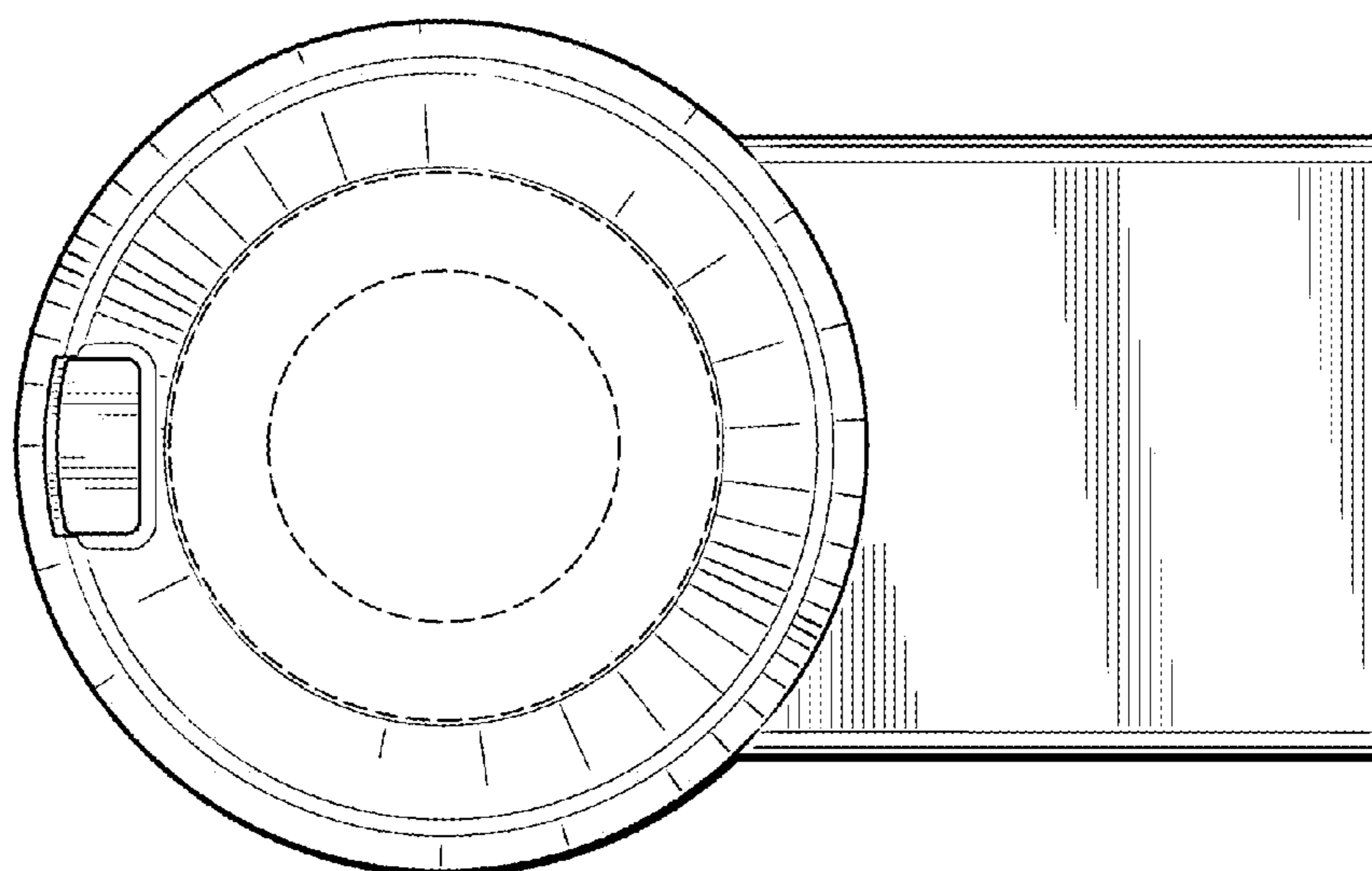


FIG. 10

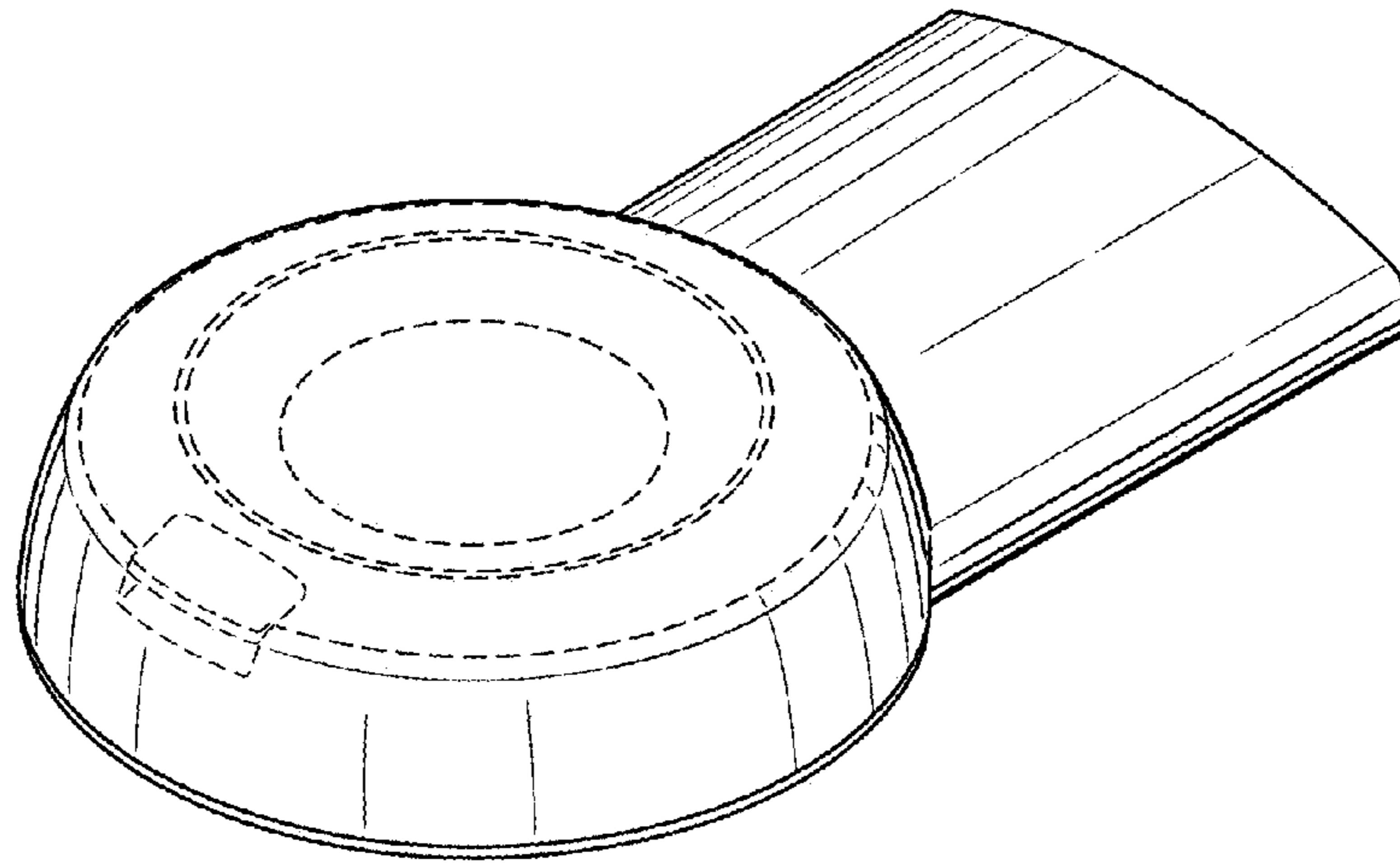


FIG. 11

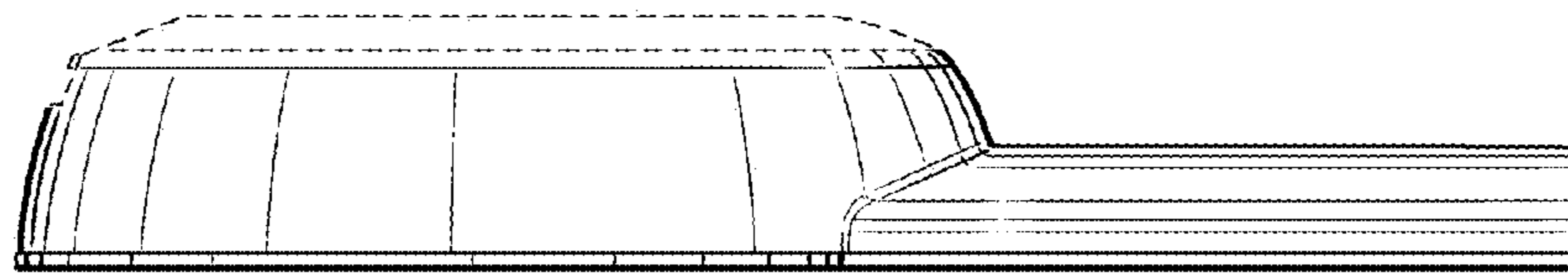


FIG. 12

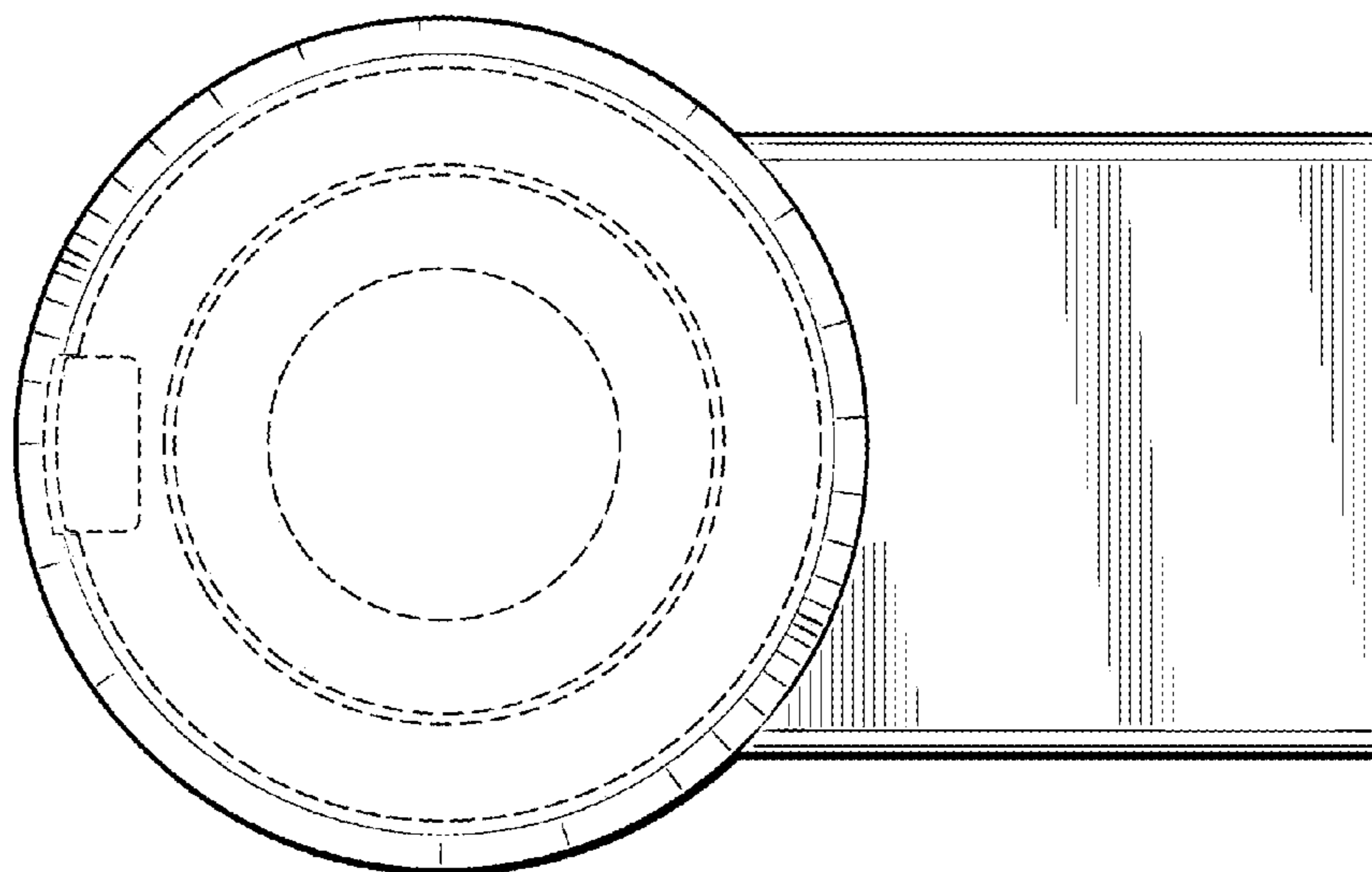


FIG. 13

UNITED STATES PATENT AND TRADEMARK OFFICE
CERTIFICATE OF CORRECTION

PATENT NO. : D761,966 S
APPLICATION NO. : 29/493580
DATED : July 19, 2016
INVENTOR(S) : Chris M. Jamison et al.

Page 1 of 1

It is certified that error appears in the above-identified patent and that said Letters Patent is hereby corrected as shown below:

On The Title Page, item (73) Assignee, please change the term “Reliane” to “Reliance”

Signed and Sealed this
Twenty-ninth Day of November, 2016



Michelle K. Lee
Director of the United States Patent and Trademark Office