



US00D761965S

(12) **United States Design Patent**
Wangler et al.

(10) **Patent No.:** **US D761,965 S**
(45) **Date of Patent:** **** Jul. 19, 2016**

- (54) **CONTAINER FOR OPHTHALMOLOGIC FLUIDS**
- (71) Applicant: **Oertli-Instrumente AG**, Berneck (CH)
- (72) Inventors: **Christoph Wangler**, Rorschacherberg (CH); **Rüdiger Schönleber**, Münster (DE)
- (73) Assignee: **OERTLI-INSTRUMENTE AG**, Berneck (CH)
- (**) Term: **15 Years**
- (21) Appl. No.: **29/535,254**
- (22) Filed: **Aug. 5, 2015**

Related U.S. Application Data

- (62) Division of application No. 29/502,153, filed on Sep. 12, 2014, now Pat. No. Des. 745,681.

Foreign Application Priority Data

- Mar. 13, 2014 (WO) 800 261 401
- (51) **LOC (10) Cl.** **24-00**
- (52) **U.S. Cl.**
USPC **D24/172**
- (58) **Field of Classification Search**
USPC D24/172, 165, 185, 137, 111, 108, 162;
222/207; 604/321
CPC A47K 5/1215; A61M 1/0003
See application file for complete search history.

References Cited

U.S. PATENT DOCUMENTS

- 4,605,498 A 8/1986 Kulish
- 5,042,691 A 8/1991 Maldonado
- D336,514 S 6/1993 Valerio et al.

- D439,335 S * 3/2001 Walls D24/137
- D545,967 S 7/2007 Joyce et al.
- D677,783 S * 3/2013 Naef D24/111
- D690,813 S 10/2013 Bizzell et al.
- D693,467 S 11/2013 Doucette
- D703,717 S 4/2014 Williams
- D705,924 S * 5/2014 Hunter D24/108
- D706,930 S 6/2014 Lin et al.
- D717,438 S * 11/2014 Lin D24/162
- D745,681 S * 12/2015 Wangler D24/172
- 2012/0193376 A1 * 8/2012 Evans A47K 5/1215
222/207
- 2013/0142709 A1 6/2013 Lin et al.
- 2015/0258255 A1 * 9/2015 Wangler A61M 1/0003
604/321

* cited by examiner

Primary Examiner — Holly Baynham

Assistant Examiner — Rhea Shields

(74) *Attorney, Agent, or Firm* — Browdy and Neimark, PLLC

(57) **CLAIM**

The ornamental design for a container for ophthalmologic fluids, as shown and described.

DESCRIPTION

FIG. 1 is a right side view of a container for ophthalmologic fluids according to the present design having attached fluid hoses;

FIG. 2 is a front view thereof;

FIG. 3 is a bottom view thereof;

FIG. 4 is a front perspective view thereof;

FIG. 5 is a rear perspective view thereof;

FIG. 6 is a left side view thereof;

FIG. 7 is a rear view thereof; and,

FIG. 8 is a top view thereof.

In the drawings, the broken lines are for the purpose of illustrating environment only and form no part of the claimed design.

1 Claim, 8 Drawing Sheets

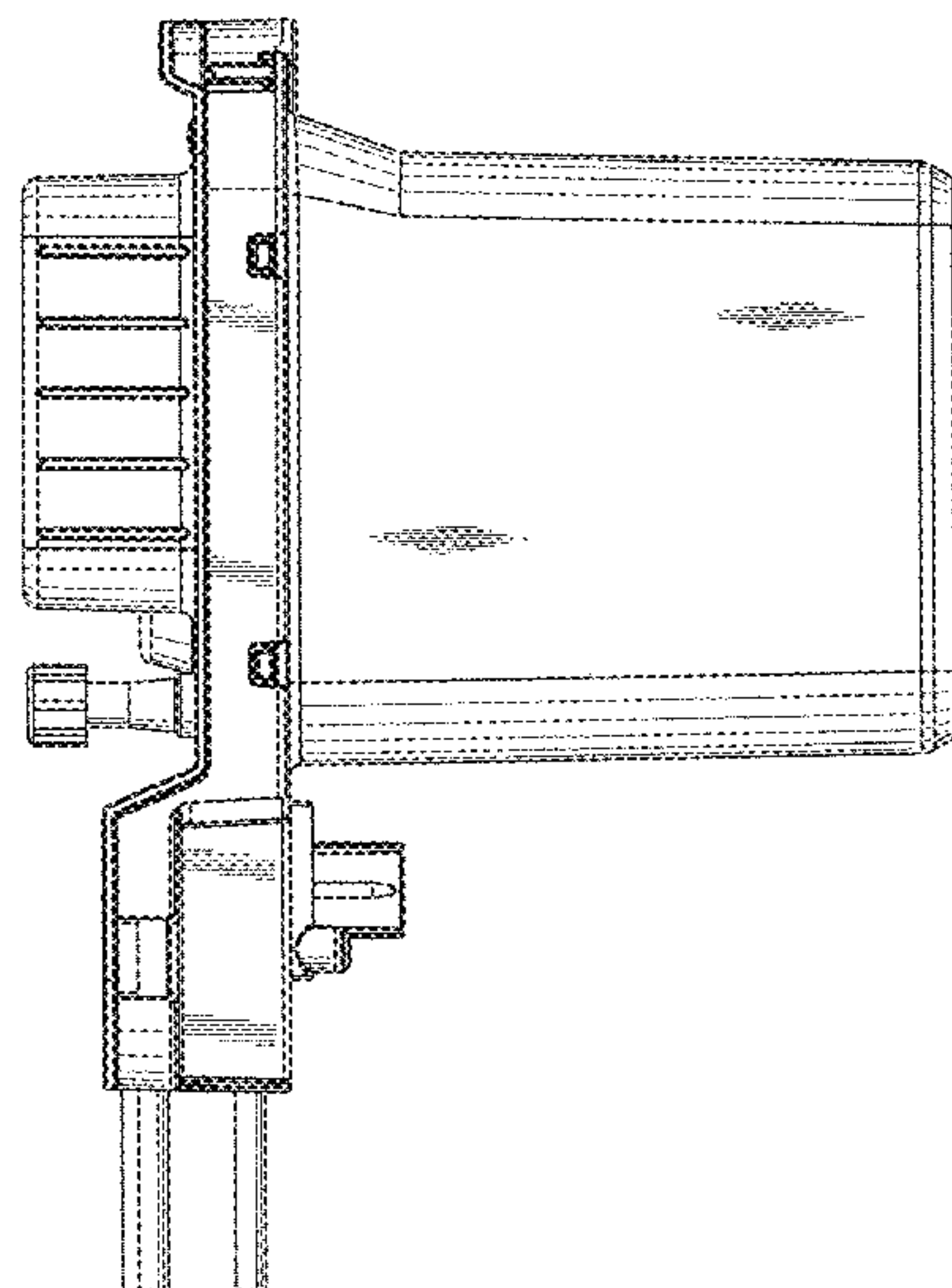


FIG. 1

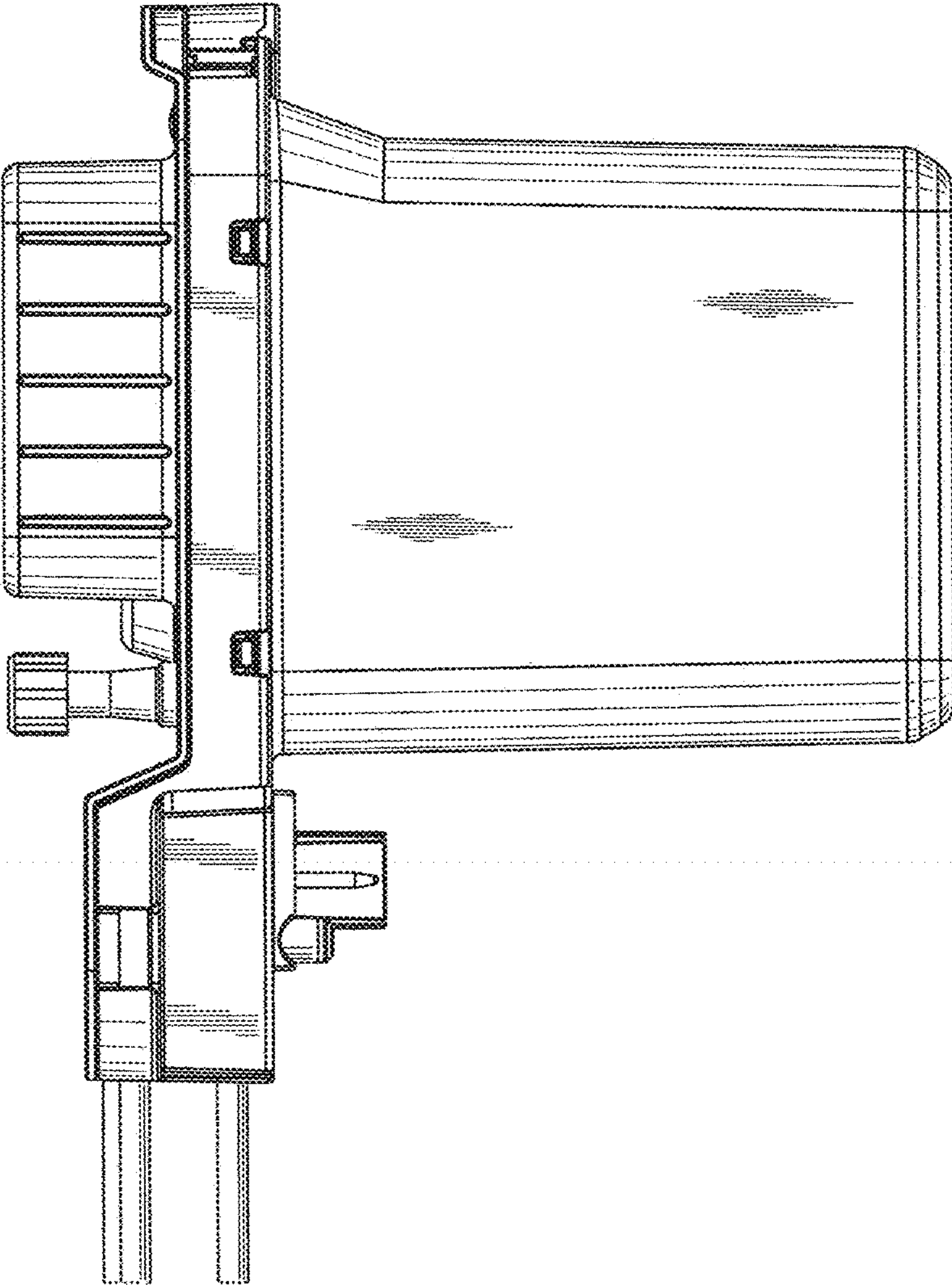


FIG. 2

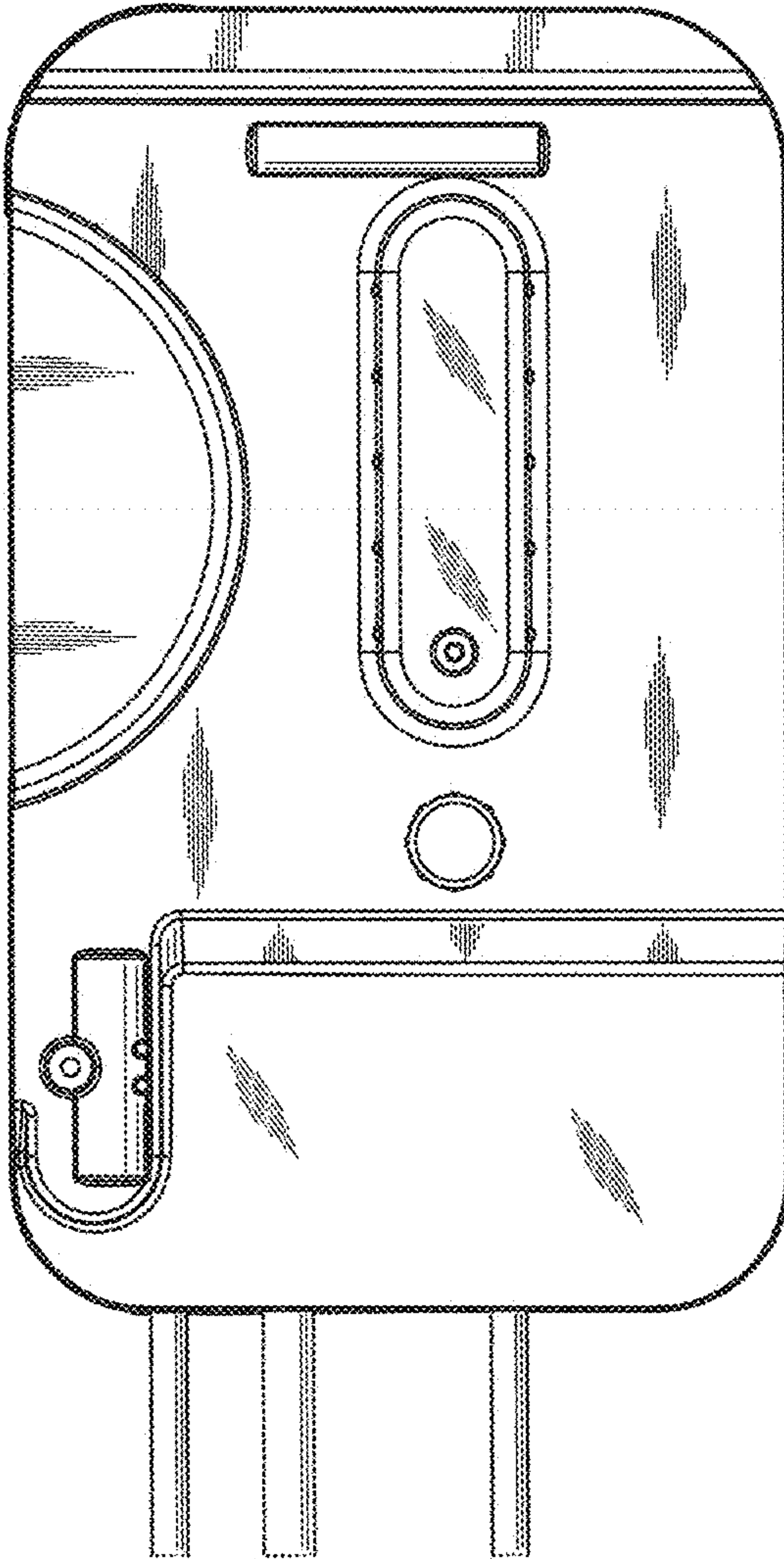


FIG. 3

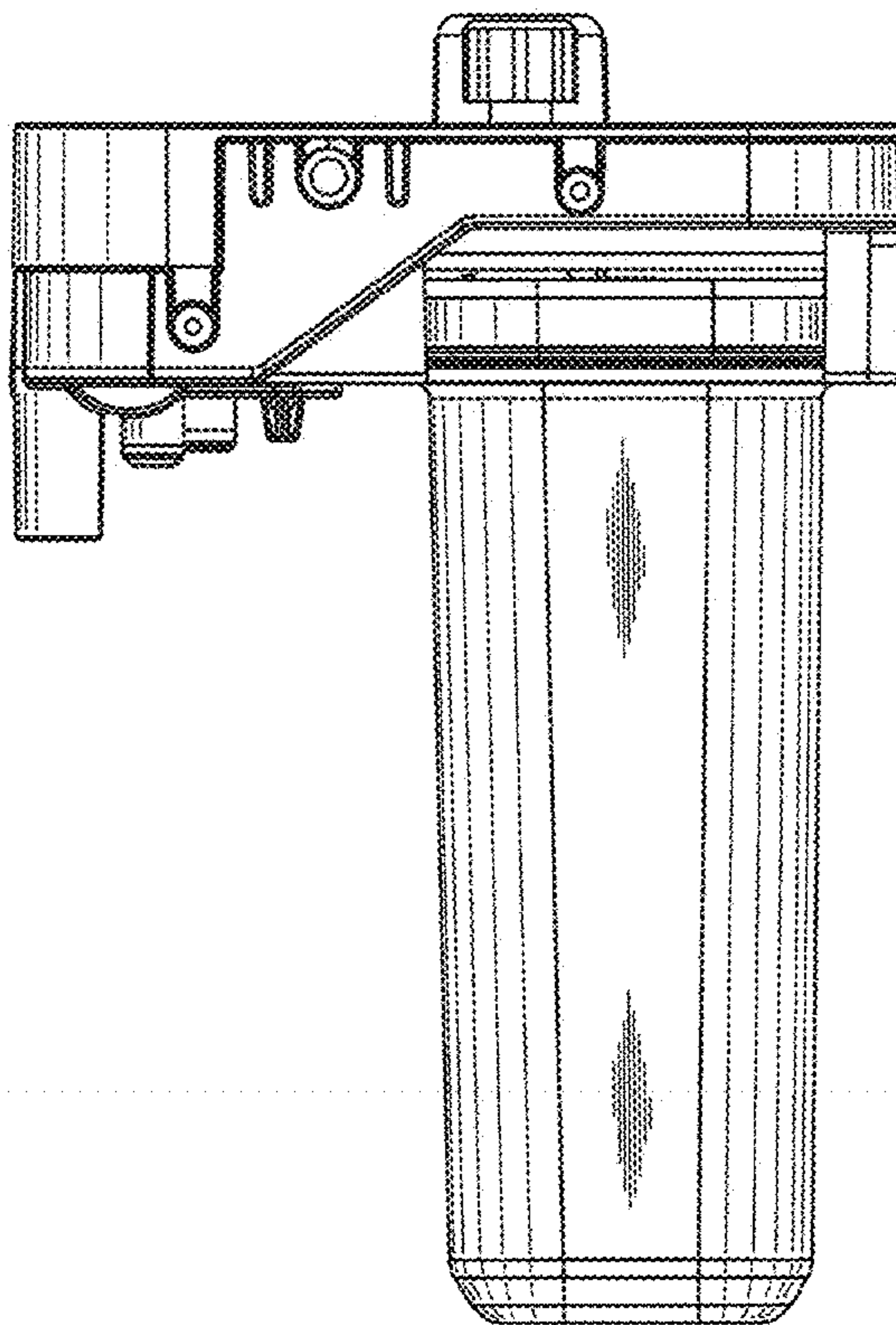


FIG. 4

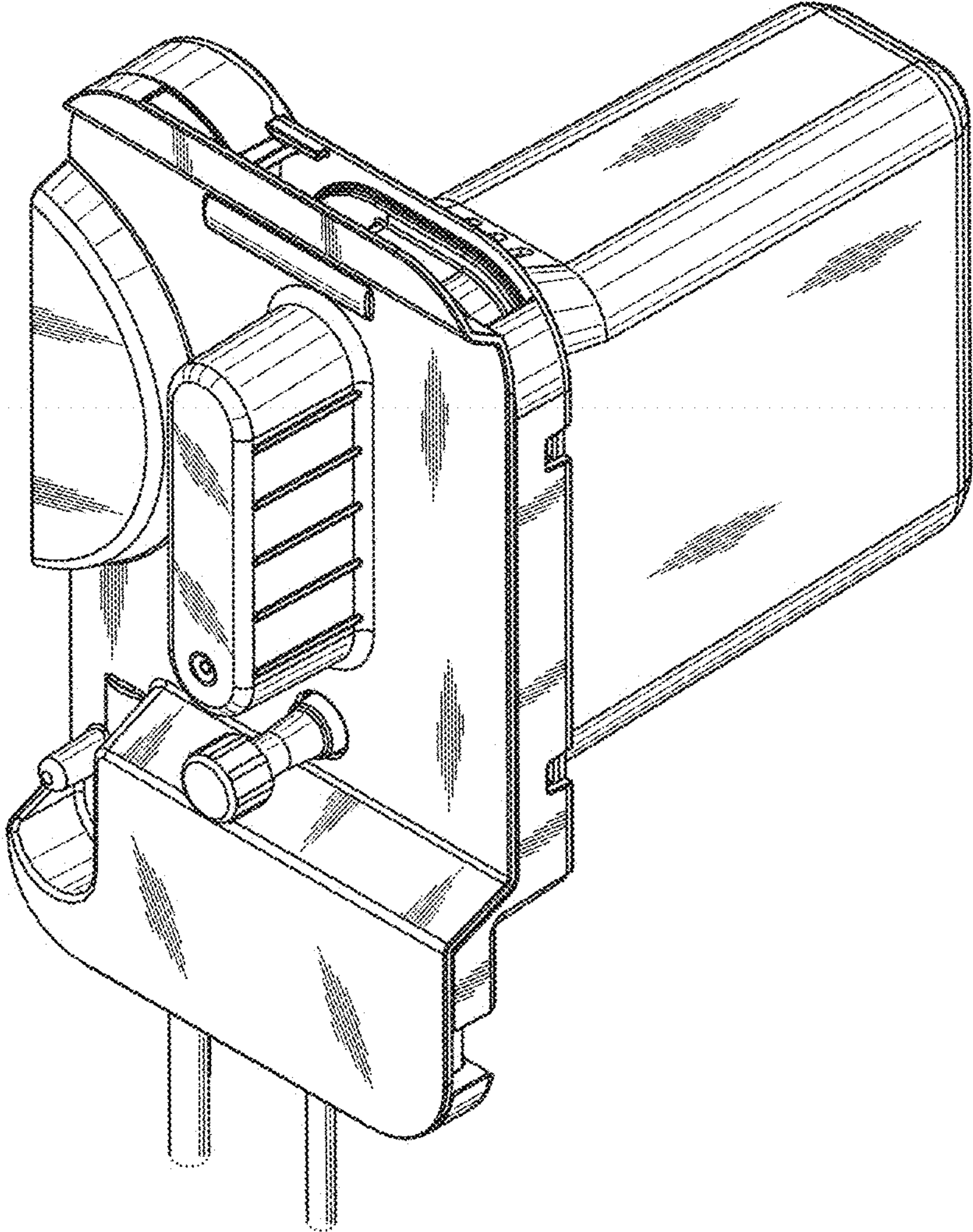


FIG. 5

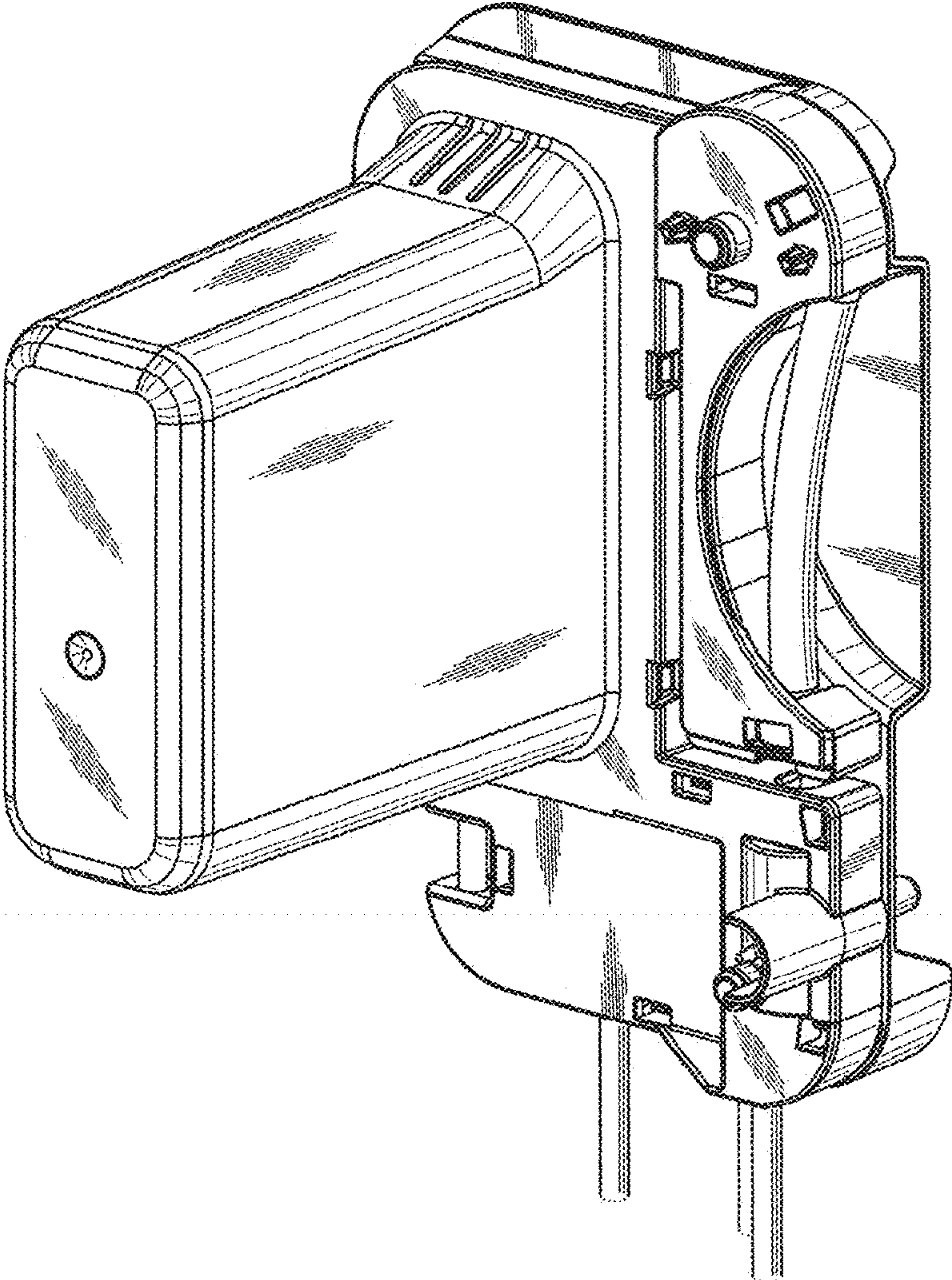


FIG. 6

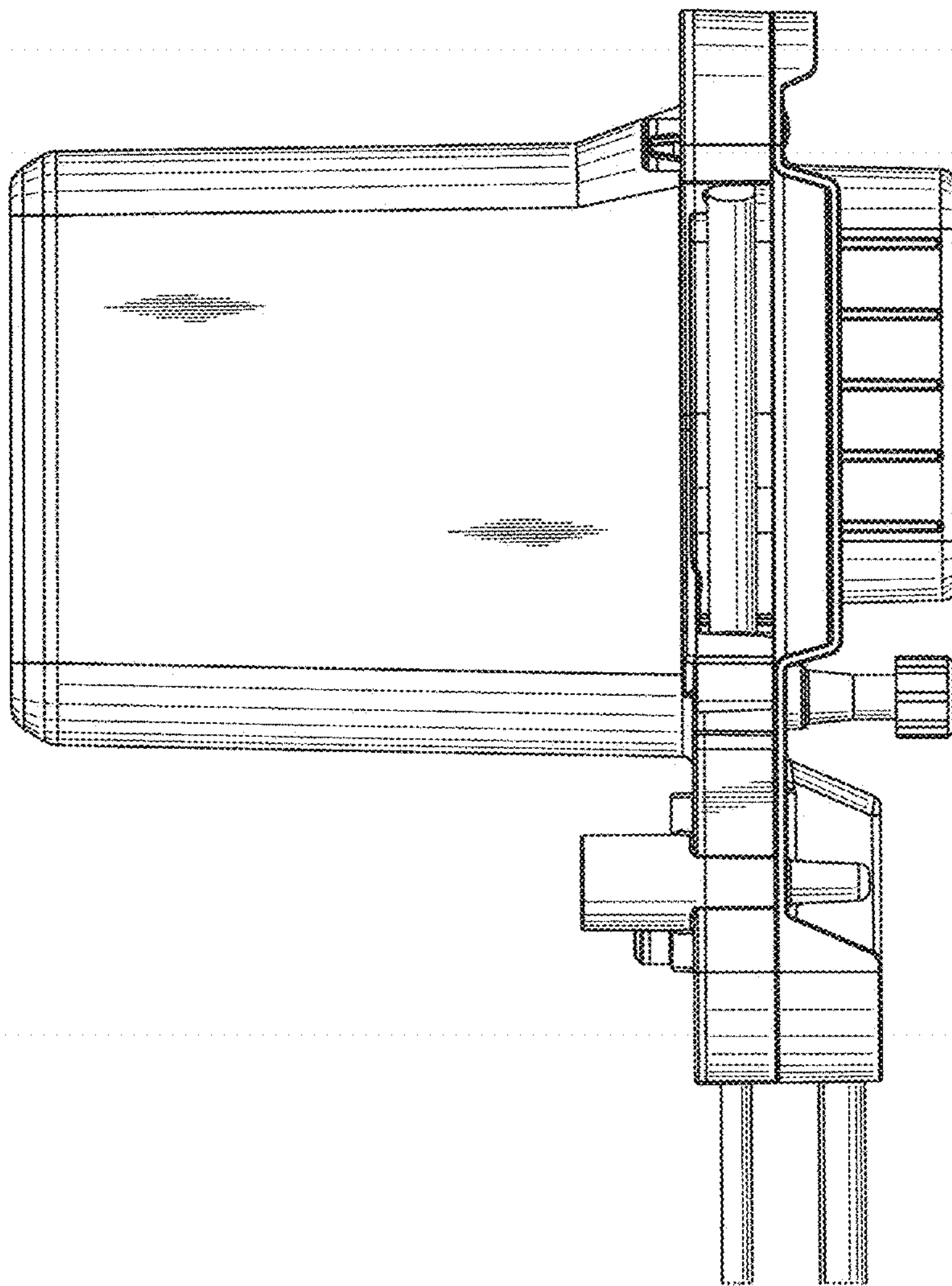


FIG. 7

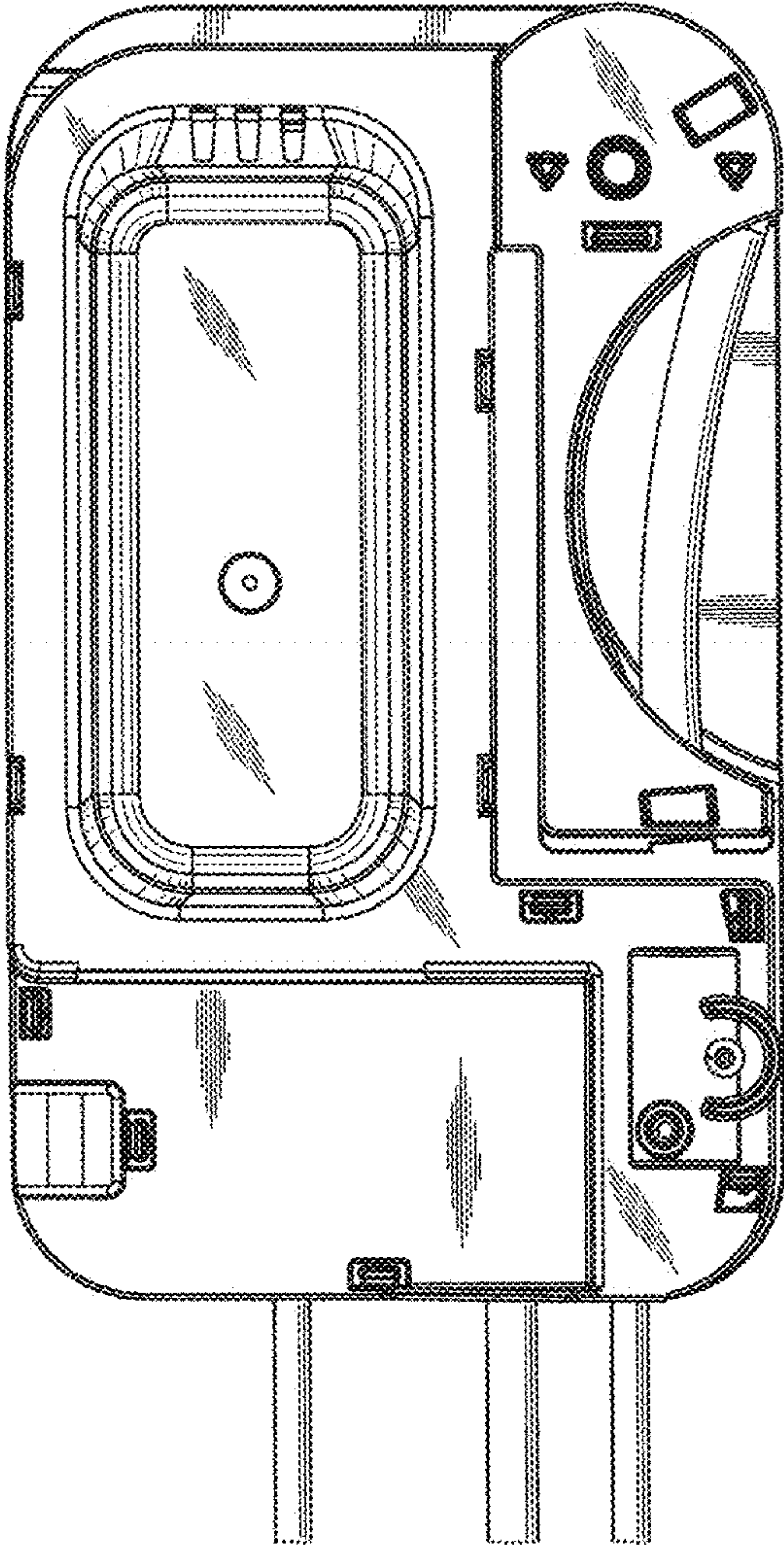


FIG. 8

