



US00D761964S

(12) **United States Design Patent**
Regere et al.

(10) **Patent No.:** **US D761,964 S**
(45) **Date of Patent:** **** *Jul. 19, 2016**

(54) **ULTRASOUND APPARATUS FOR DENTAL USE**

(71) Applicant: **Societe Pour La Conception Des Applications Des Techniques Electroniques, Merignac (FR)**

(72) Inventors: **Pascal Regere, Blanquefort (FR); Charles Reche, Bordeaux (FR); Vianney Ruellan, Bordeaux (FR)**

(73) Assignee: **Societe Pour La Conception Des Applications Des Techniques Electroniques, Merignac (FR)**

(*) Notice: This patent is subject to a terminal disclaimer.

(**) Term: **14 Years**

(21) Appl. No.: **29/439,693**

(22) Filed: **Dec. 13, 2012**

(30) **Foreign Application Priority Data**

Jun. 13, 2012 (EM) 002056903-0002

(51) **LOC (10) Cl.** **24-01**

(52) **U.S. Cl.**
USPC **D24/158**

(58) **Field of Classification Search**
USPC D24/158-161, 185, 186, 152, 176-178;
606/32-34; 600/1-3, 104, 437, 443,
600/459; 312/209, 223.1, 223.2, 249.12;
248/47.34, 282.1; D13/162, 171, 184;
433/27-29, 86, 119

See application file for complete search history.

(56) **References Cited**

U.S. PATENT DOCUMENTS

5,125,837 A * 6/1992 Warrin et al. 433/86

| | | | |
|-------------------|---------|-----------------------|---------|
| D334,062 S * | 3/1993 | Davis et al. | D24/160 |
| D532,906 S * | 11/2006 | Kim et al. | D24/152 |
| D555,244 S * | 11/2007 | Nakanishi | D24/176 |
| D609,349 S * | 2/2010 | Pelissier et al. | D24/186 |
| D618,353 S * | 6/2010 | Sanga | D24/177 |
| D631,164 S * | 1/2011 | Kagawa | D24/177 |
| D631,549 S * | 1/2011 | Kagawa | D24/177 |
| D648,855 S * | 11/2011 | Smith et al. | D24/158 |
| D650,482 S * | 12/2011 | Kim et al. | D24/158 |
| D685,093 S * | 6/2013 | Shimizu | D24/158 |
| 2004/0126735 A1 * | 7/2004 | Hickok et al. | 433/119 |
| 2013/0183633 A1 * | 7/2013 | Dillon et al. | 433/29 |

* cited by examiner

Primary Examiner — Anhdao Doan

(74) *Attorney, Agent, or Firm* — Maier & Maier, PLLC

(57) **CLAIM**

The ornamental design for an ultrasound apparatus for dental use, as shown and described.

DESCRIPTION

FIG. 1 is a right perspective view of an ultrasound apparatus for dental use according to the new design.

FIG. 2 is a left perspective view of the ultrasound apparatus for dental use according to the new design.

FIG. 3 is a back view of the ultrasound apparatus for dental use according to the new design.

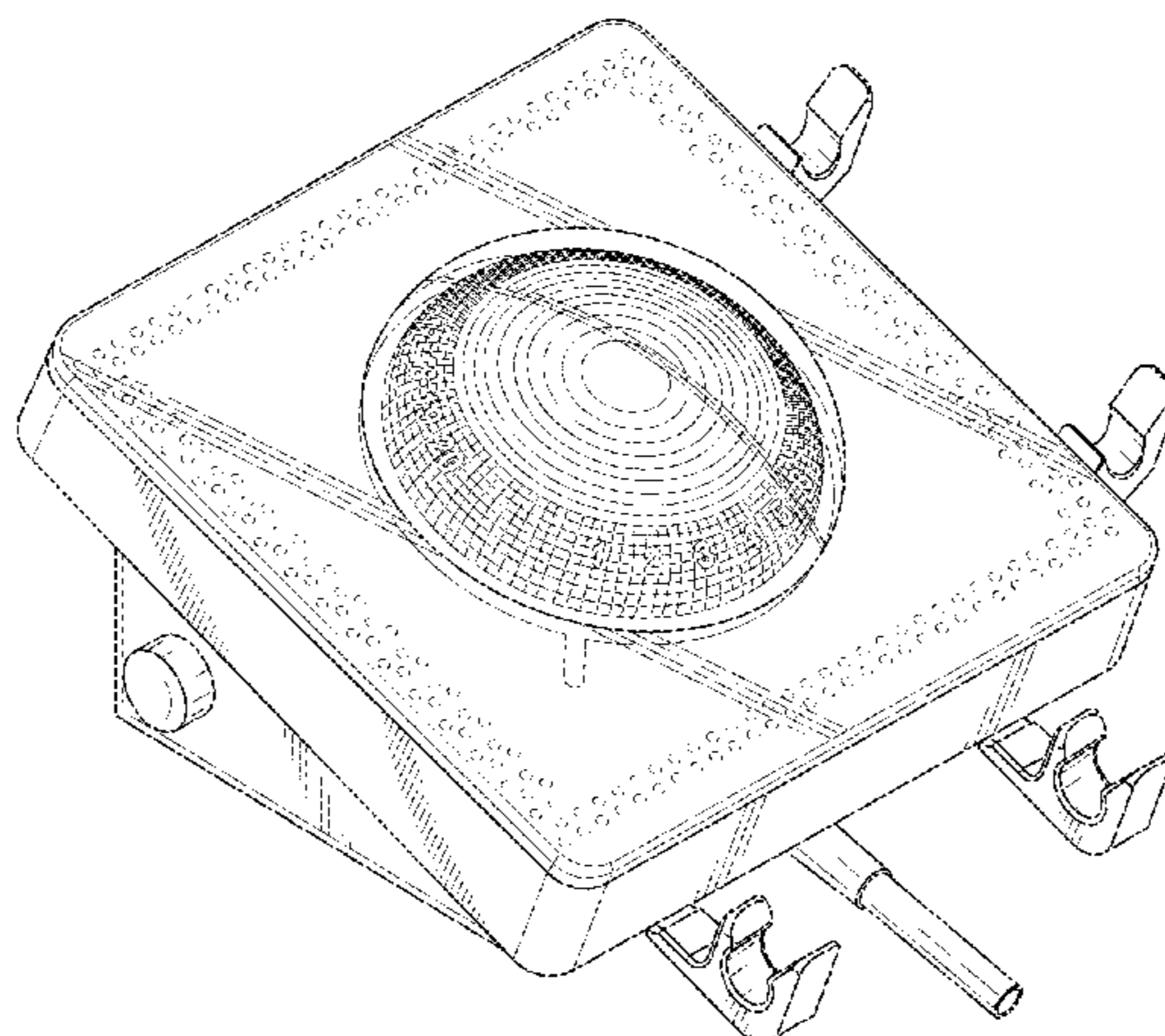
FIG. 4 is a front view of the ultrasound apparatus for dental use according to the new design.

FIG. 5 is a right side view of the ultrasound apparatus for dental use according to the new design; and,

FIG. 6 is a left side view of the ultrasound apparatus for dental use according to the new design.

The broken lines in the Figures illustrate portions of the ultrasound apparatus for dental use that form no part of the claimed design.

1 Claim, 6 Drawing Sheets



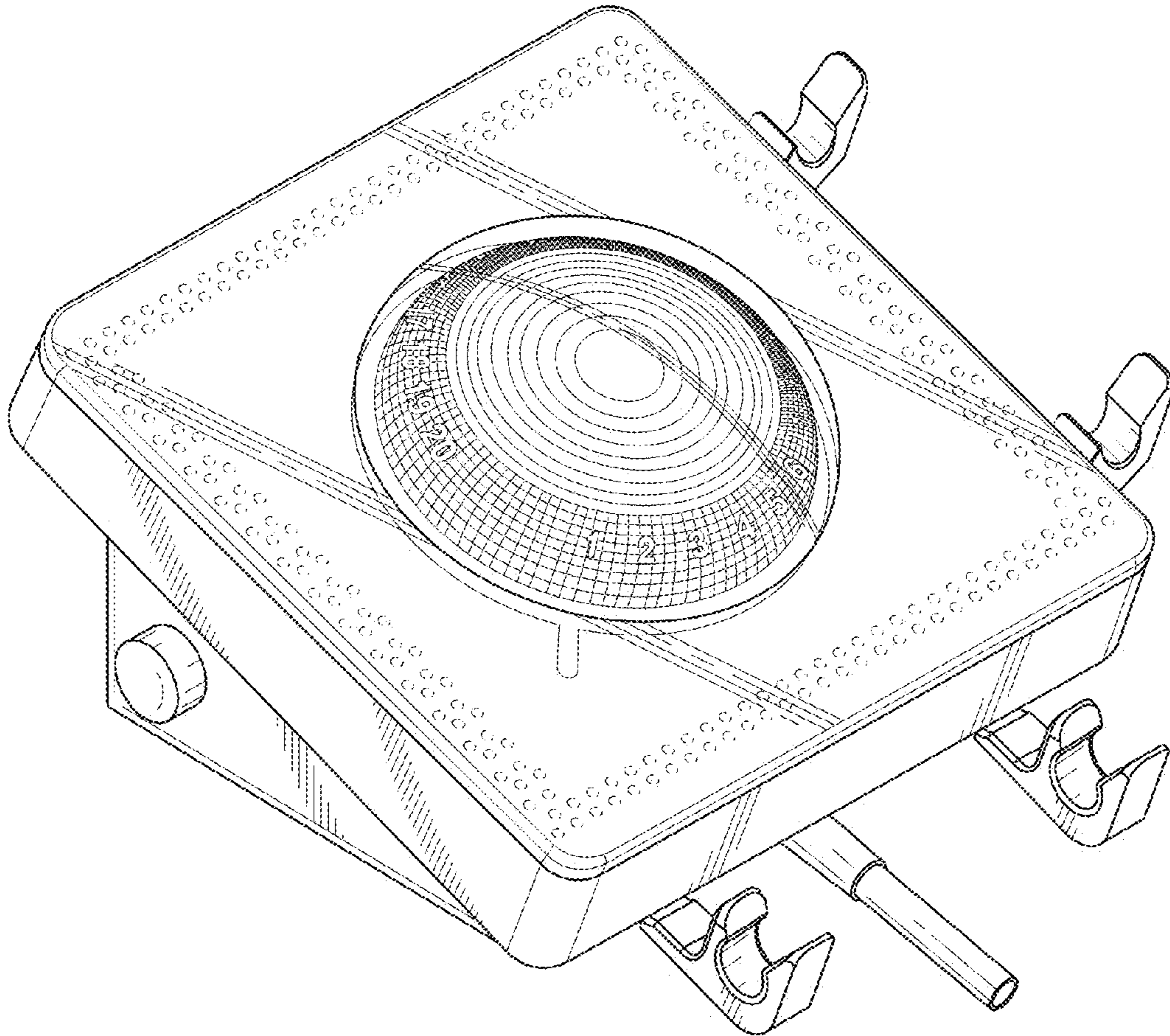


FIG. 1

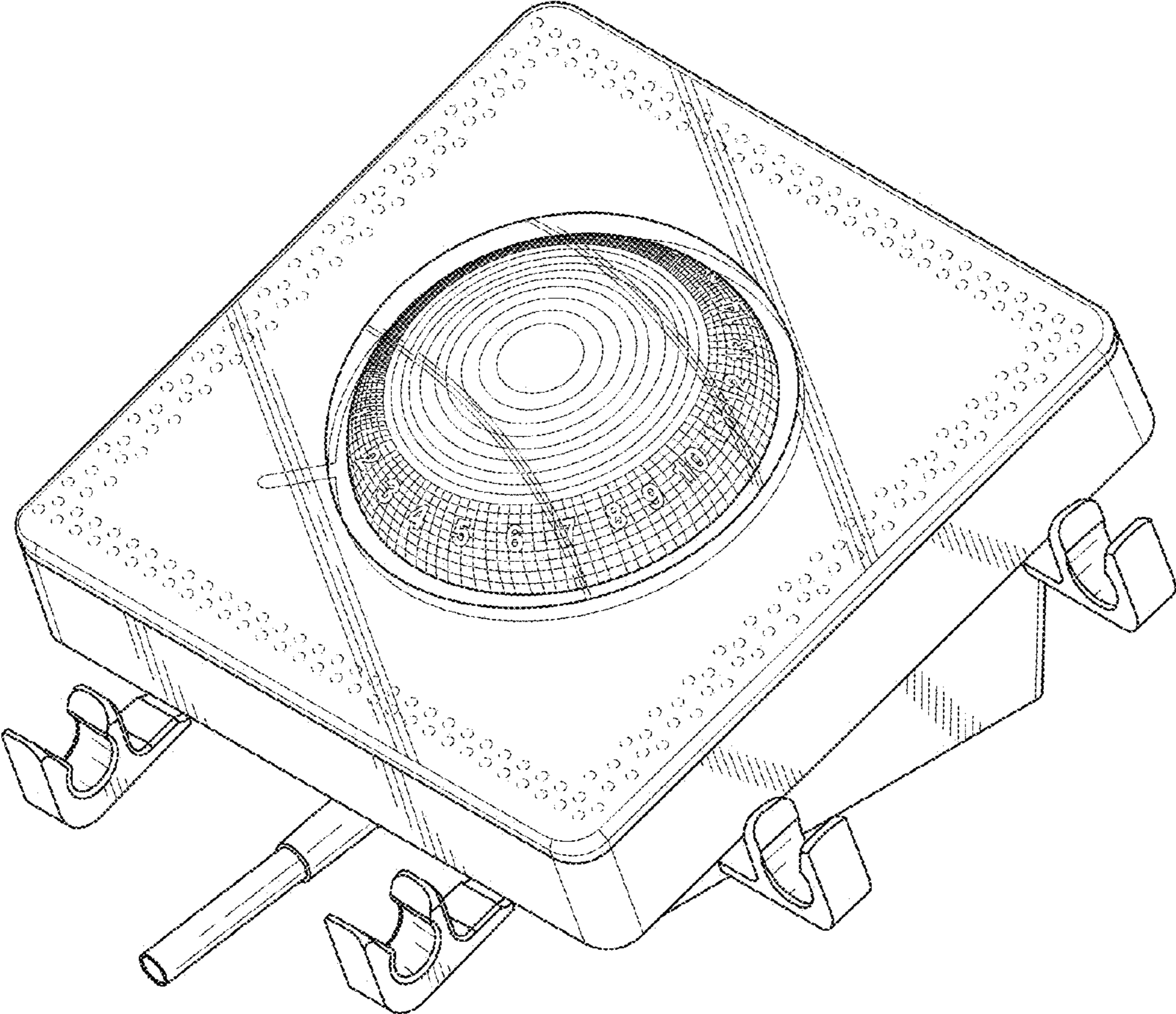


FIG. 2

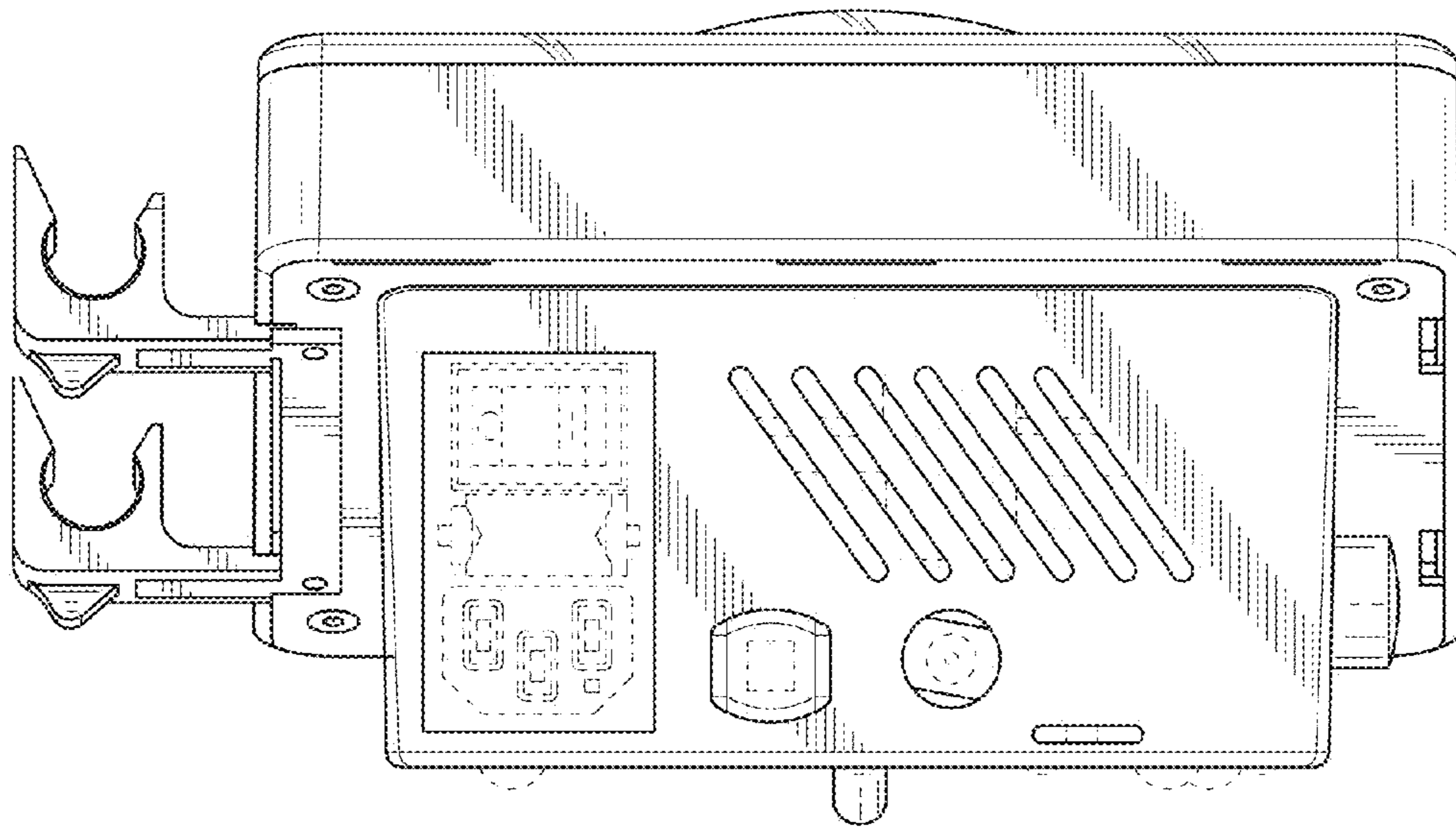


FIG. 3

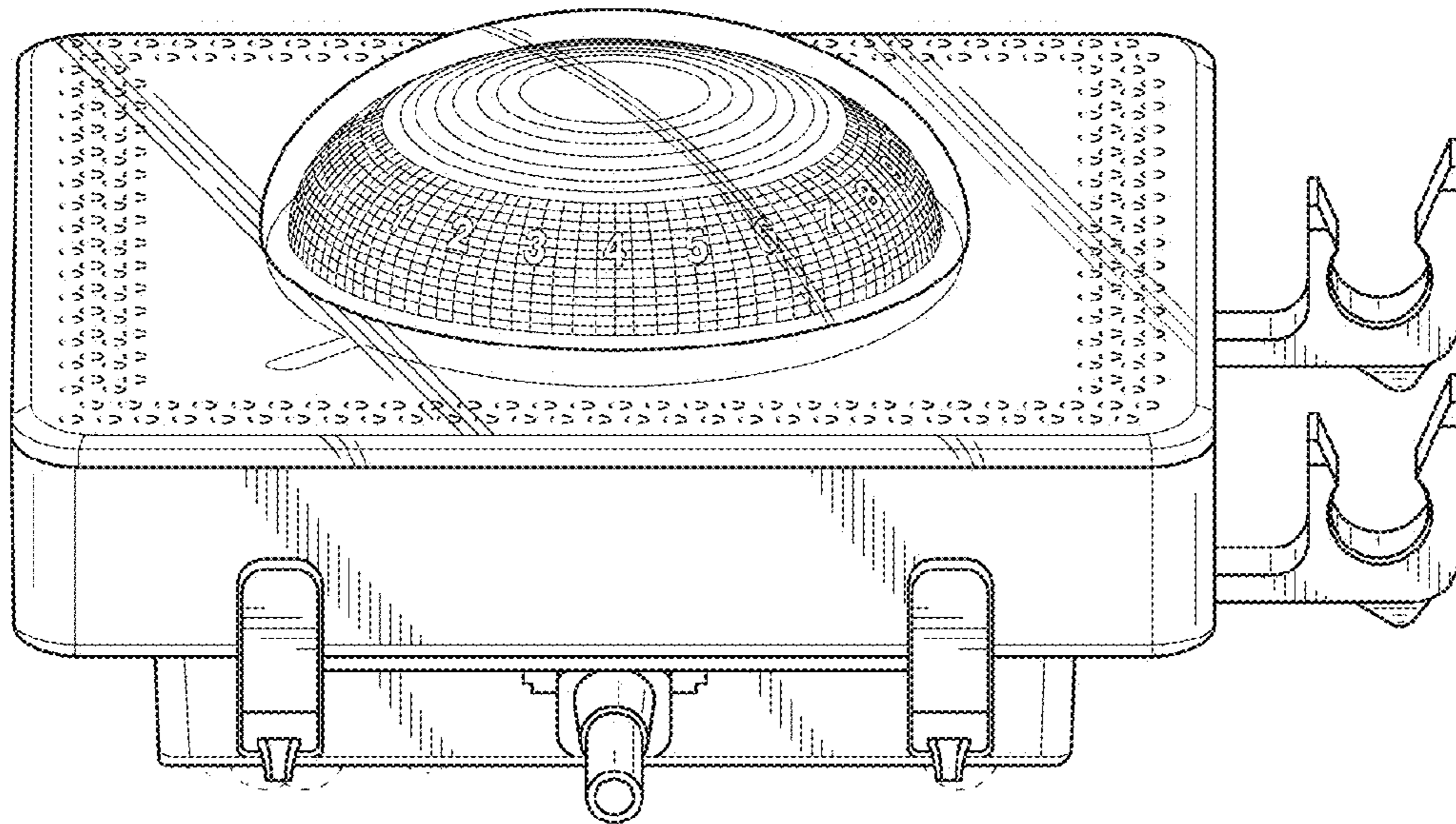


FIG. 4

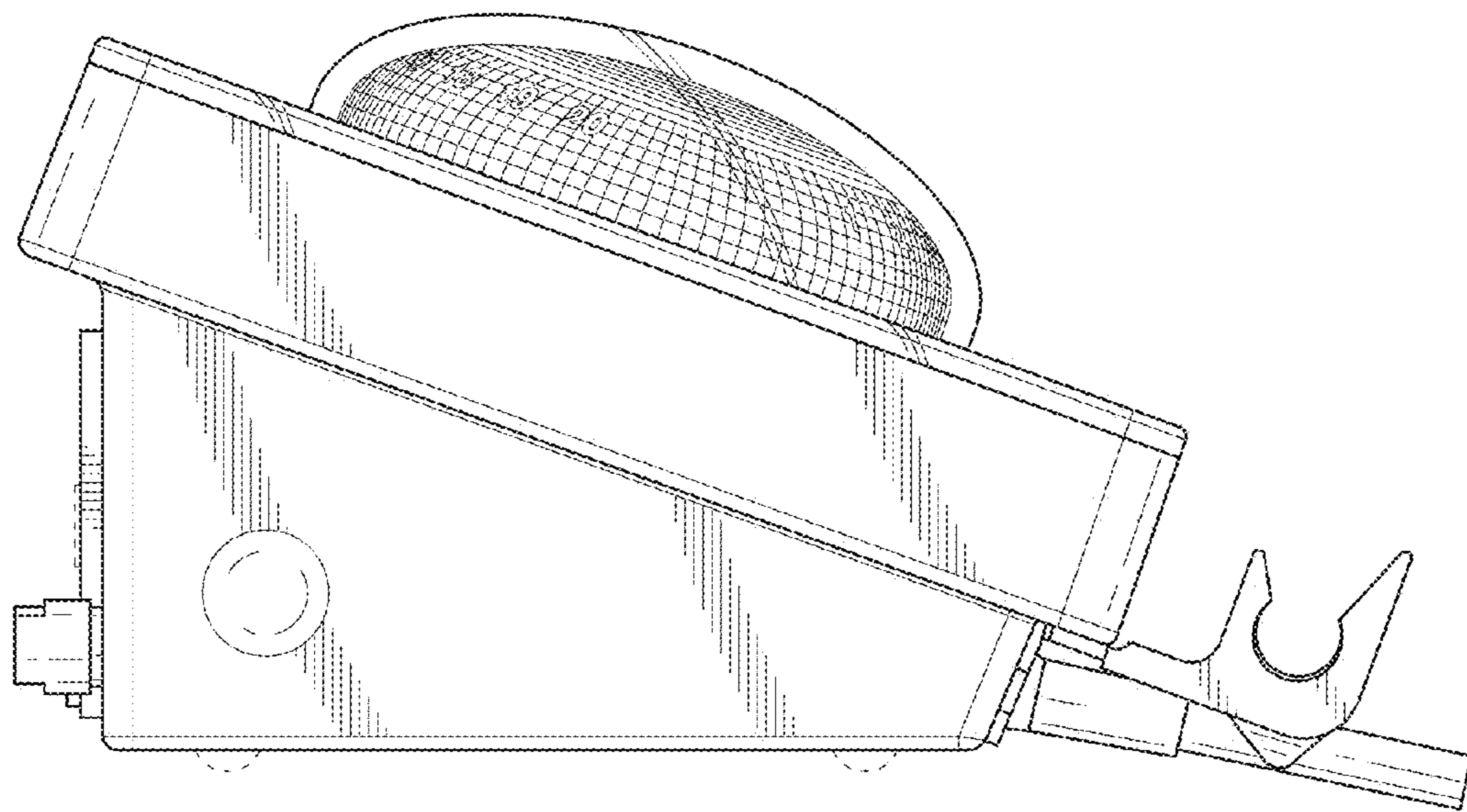


FIG. 5

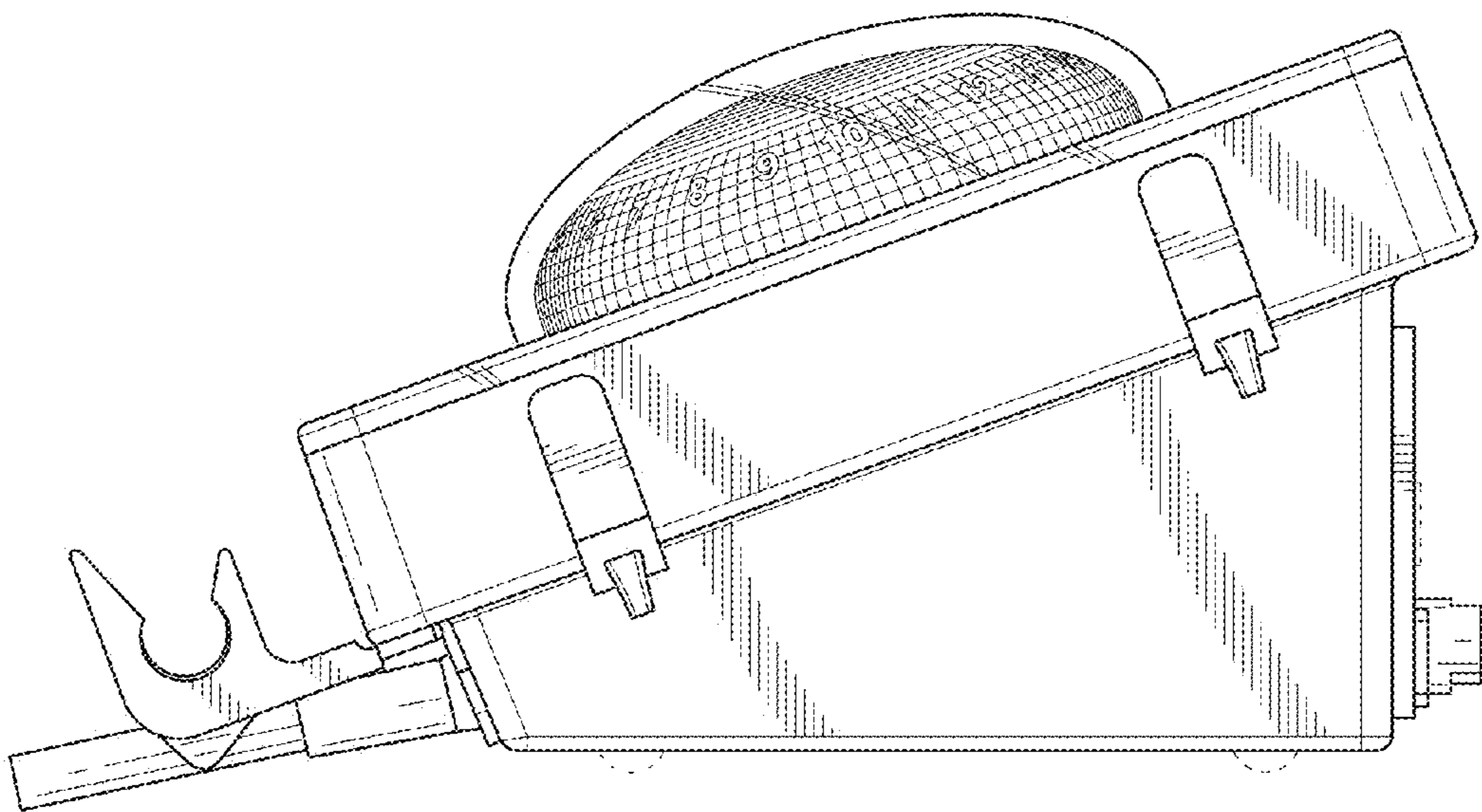


FIG. 6