



US00D761960S

(12) **United States Design Patent**
Petersen et al.

(10) **Patent No.:** **US D761,960 S**
(45) **Date of Patent:** **** Jul. 19, 2016**

(54) **AIMING DEVICE**
(71) Applicants: **Wolf Petersen**, Berlin (DE); **Michael Raschke**, Münster (DE); **Steffen Schanz**, Rottweil (DE); **Annika Müller**, Geislingen (DE)
(72) Inventors: **Wolf Petersen**, Berlin (DE); **Michael Raschke**, Münster (DE); **Steffen Schanz**, Rottweil (DE); **Annika Müller**, Geislingen (DE)
(73) Assignee: **Karl Storz GmbH & Co. KG**, Tuttlingen (DE)

(**) Term: **14 Years**
(21) Appl. No.: **29/526,261**
(22) Filed: **May 7, 2015**

(30) **Foreign Application Priority Data**
Nov. 7, 2014 (EM) 002574020-0001
(51) **LOC (10) Cl.** **24-02**
(52) **U.S. Cl.**
USPC **D24/140**
(58) **Field of Classification Search**
USPC D24/140, 127, 128, 133
CPC A61B 17/1714; A61B 2017/1778;
A61B 17/1796; A61B 17/1764; A61B
2017/00407; A61B 17/0401; A61B
2017/0458; A61B 17/64; A61F 2/0811;
A61F 2002/0882; Y10S 606/916
See application file for complete search history.

(56) **References Cited**
U.S. PATENT DOCUMENTS
D238,540 S 1/1976 Holly
4,672,957 A 6/1987 Hourahane
4,883,048 A 11/1989 Purnell et al.
4,920,958 A * 5/1990 Walt A61B 17/1714
606/103

5,163,940 A * 11/1992 Bourque A61B 17/1764
606/103
D332,141 S * 12/1992 Rosenberg D24/133
D367,706 S 3/1996 Stalcup et al.
5,562,664 A 10/1996 Durlacher et al.
5,643,273 A 7/1997 Clark
5,688,284 A * 11/1997 Chervitz A61B 17/1764
606/102
5,918,604 A 7/1999 Whelan
D420,132 S 2/2000 Bucholz et al.
6,342,056 B1 * 1/2002 Mac-Thiong A61B 17/1757
606/103
6,755,838 B2 * 6/2004 Trnka A61B 17/1739
606/86 R
6,918,916 B2 7/2005 Gobel et al.
D532,515 S * 11/2006 Buttler D24/133

(Continued)

FOREIGN PATENT DOCUMENTS

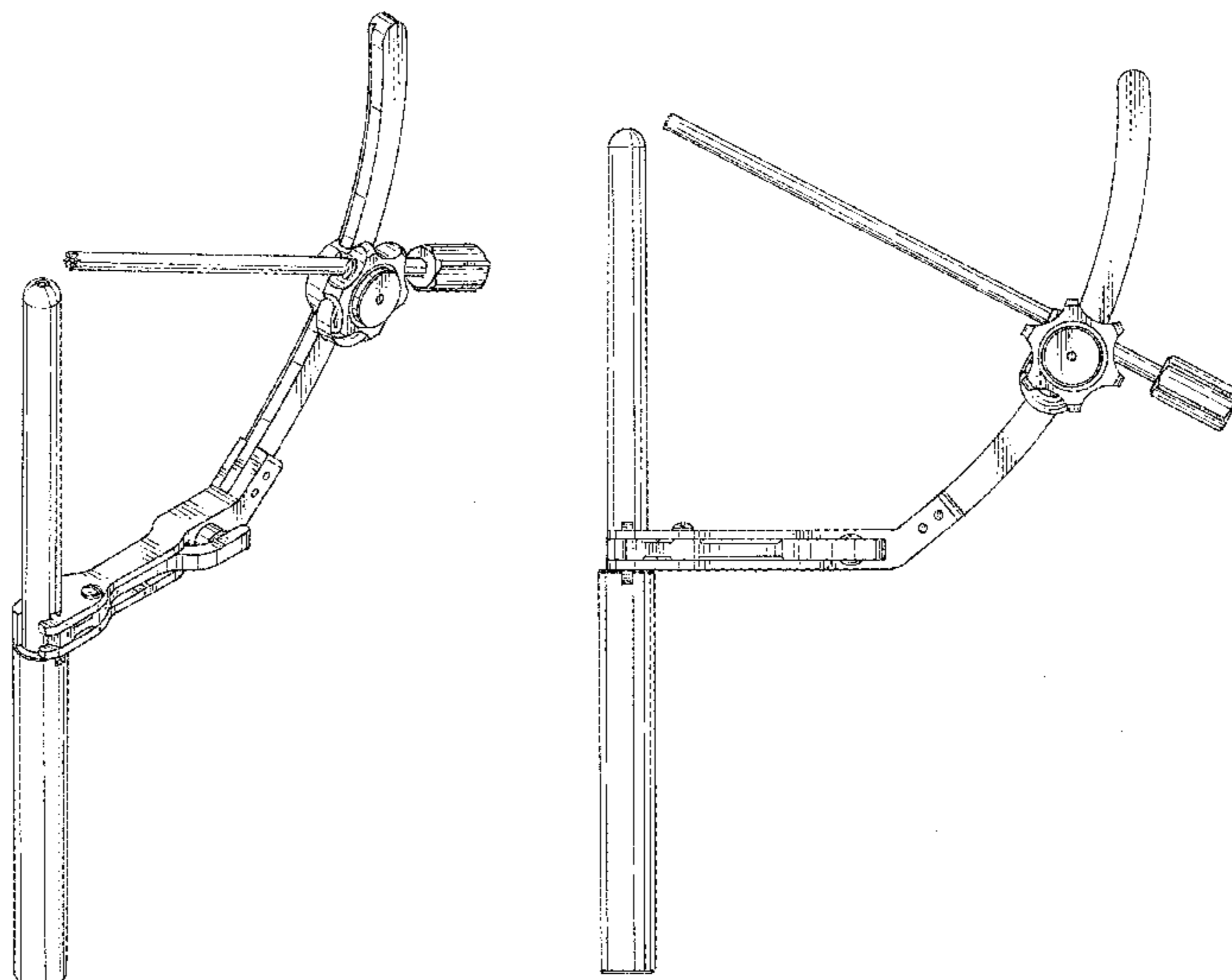
CN 303369849 * 9/2015
Primary Examiner — Bridget L Eland
Assistant Examiner — Lauren McVey
(74) *Attorney, Agent, or Firm* — Whitmyer IP Group LLC

(57) **CLAIM**
The ornamental design for an aiming device, as shown and described.

DESCRIPTION

FIG. 1 is a rear left side isometric view of an aiming device in accordance with the new design;
FIG. 2 is a left side view thereof;
FIG. 3 is a right side view thereof;
FIG. 4 is a rear elevational view thereof;
FIG. 5 is a front elevational view thereof;
FIG. 6 is a top plan view thereof; and,
FIG. 7 is a bottom plan view thereof.
The broken lines shown in FIG. 7 are for the purpose of illustrating portions of the aiming device that form no part of the claimed design.

1 Claim, 7 Drawing Sheets



(56)

References Cited

U.S. PATENT DOCUMENTS

7,201,756 B2 4/2007 Ross et al.
D549,334 S 8/2007 Henkin et al.
D566,269 S 4/2008 Koros et al.
D600,807 S 9/2009 Dienst et al.
D623,292 S * 9/2010 Kubota D24/140
D638,544 S 5/2011 Koenigsberger et al.
D662,204 S * 6/2012 Franceschi D24/140
8,323,291 B2 * 12/2012 Dienst A61B 17/3403
606/88

D706,421 S * 6/2014 Brannon D24/140
8,986,316 B1 * 3/2015 Jordan A61B 17/1714
606/96
9,198,676 B2 * 12/2015 Pilgeram A61B 17/1714
2005/0143745 A1 6/2005 Hodorek et al.
2008/0015611 A1 1/2008 Jinno et al.
2008/0091066 A1 4/2008 Sholev
2008/0103506 A1 5/2008 Volpi et al.
2009/0143784 A1 6/2009 Petersen et al.

* cited by examiner

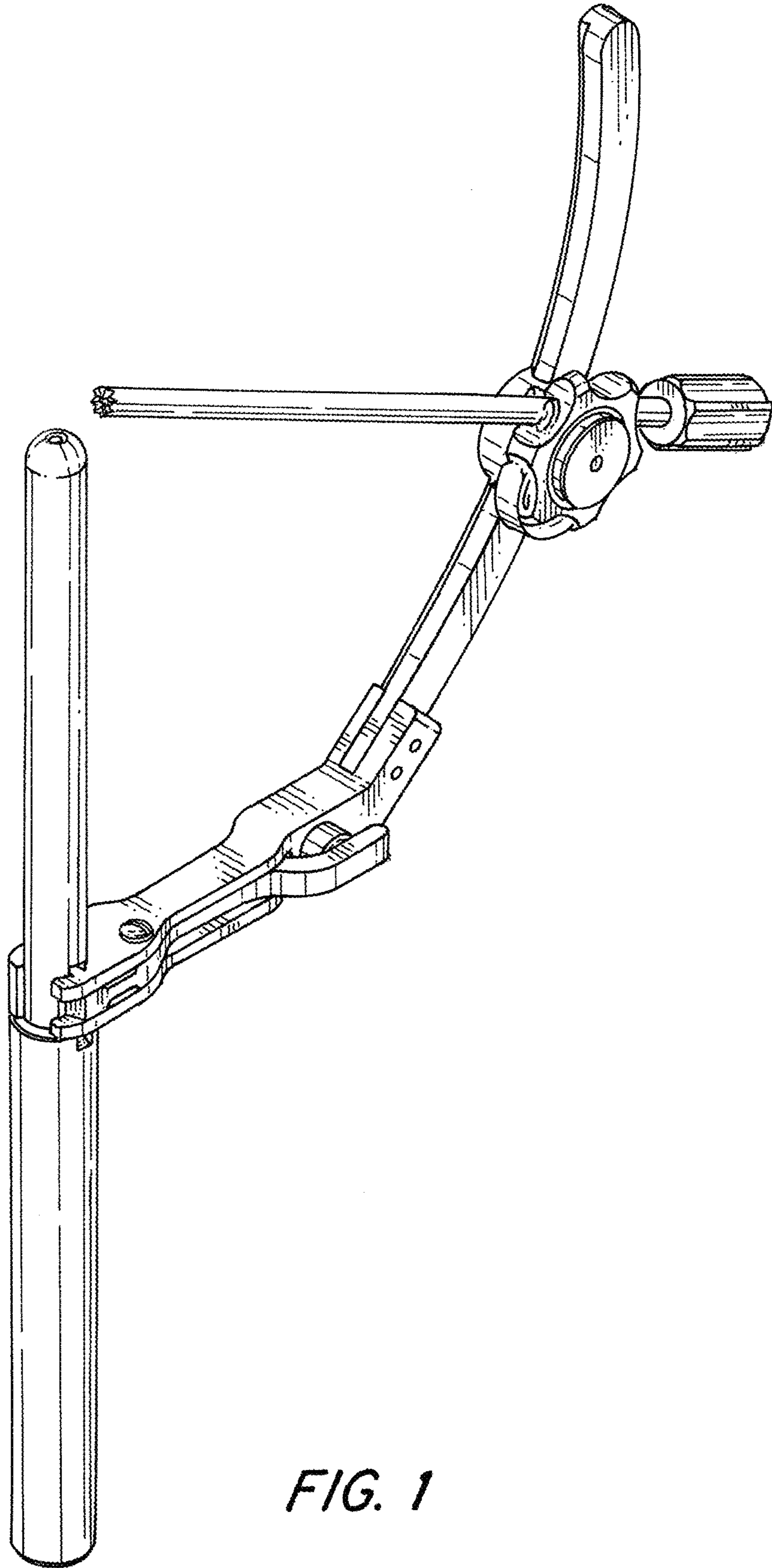


FIG. 1

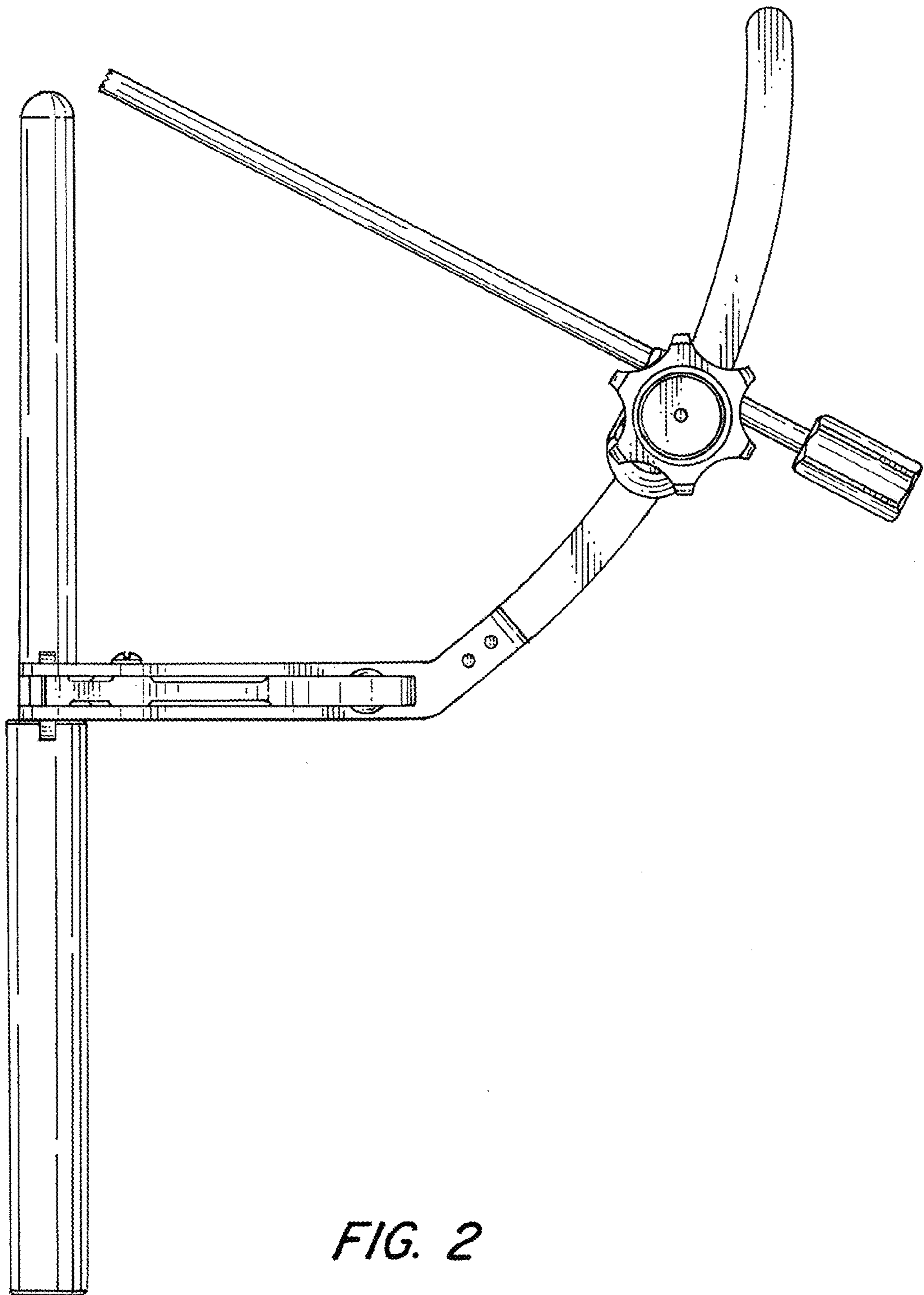


FIG. 2

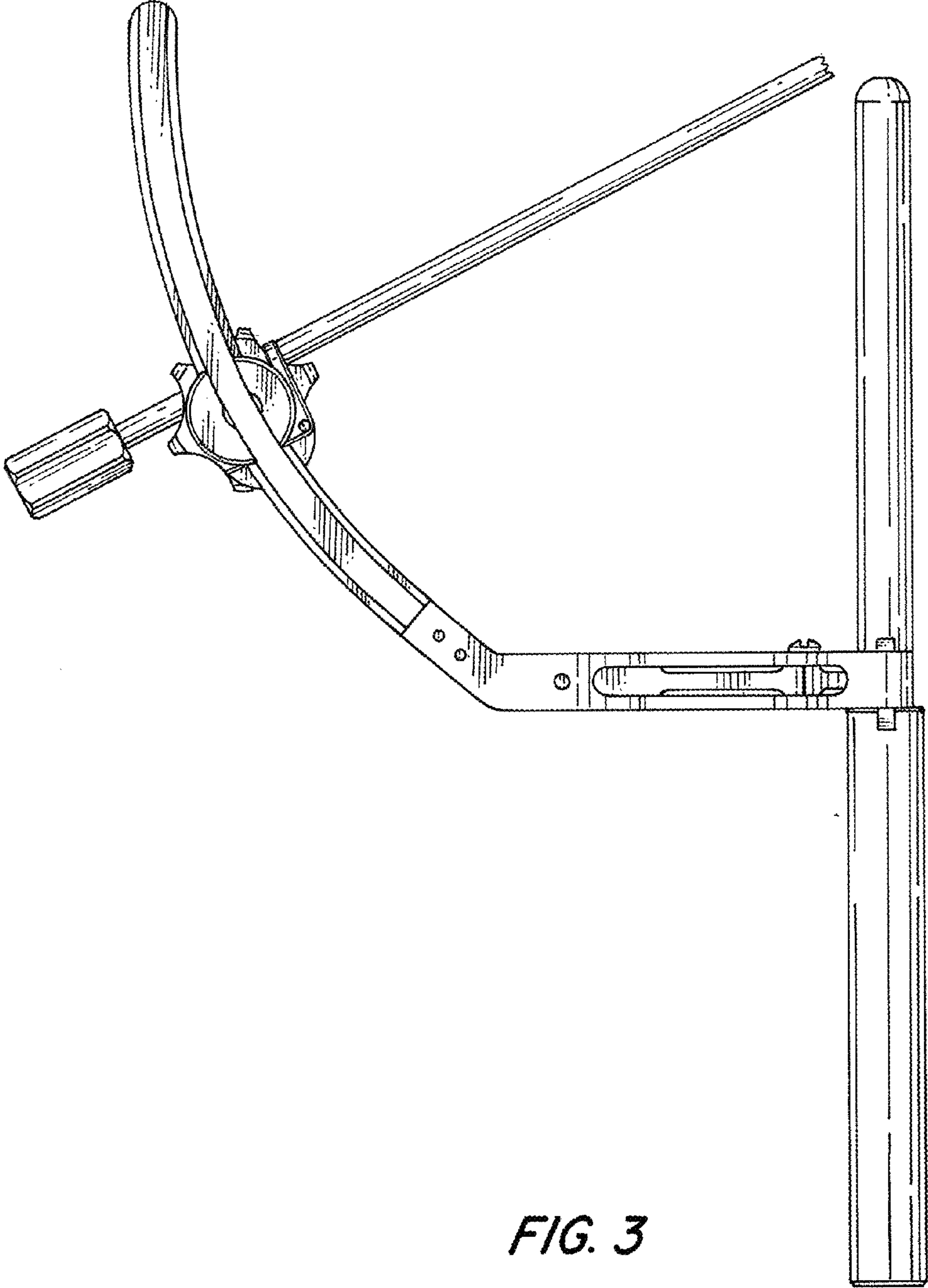


FIG. 3

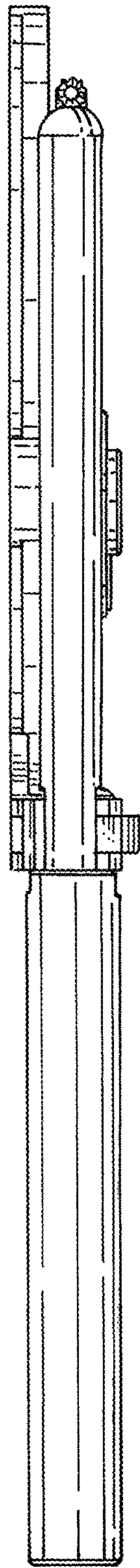


FIG. 4

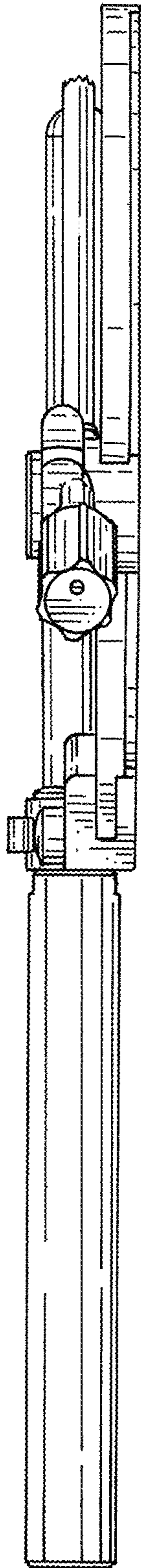


FIG. 5

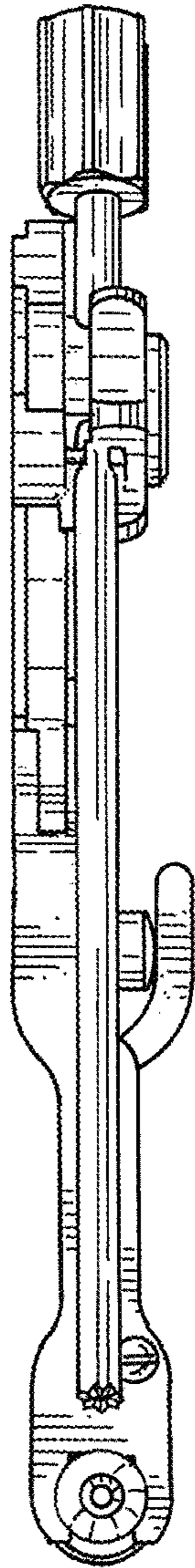


FIG. 6

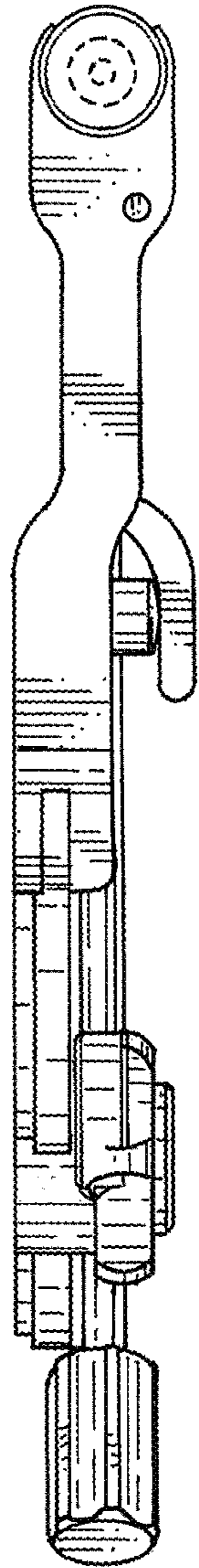


FIG. 7