



US00D761957S

(12) **United States Design Patent**
Lee et al.

(10) **Patent No.:** **US D761,957 S**
(45) **Date of Patent:** **** Jul. 19, 2016**

(54) **COMBINED INTRADISCAL INSERTION
TOOL AND INTRADISCAL SHIM**

2014/0052180 A1* 2/2014 Justis A61B 17/7082
606/246
2014/0114413 A1* 4/2014 Allain A61B 17/0642
623/17.16
2014/0135584 A1* 5/2014 Lee A61B 5/4836
600/202

(71) Applicant: **NuVasive, Inc.**, San Diego, CA (US)

OTHER PUBLICATIONS

(72) Inventors: **James Coleman Lee**, San Diego, CA
(US); **Matthew Schwartz**, San Diego,
CA (US)

NuVasive, Inc., "XLIF® Surgical Technique," 2014, 48 pgs.
Globus Medical, "LLIF Lateral Lumbar Interbody Fusion with
MARS™ 3V & Transcontinental®," 2010, 7 pgs.

(73) Assignee: **NuVasive, Inc.**, San Diego, CA (US)

* cited by examiner

(**) Term: **14 Years**

Primary Examiner — Wan Laymon
Assistant Examiner — Mark Booker

(21) Appl. No.: **29/508,821**

(74) *Attorney, Agent, or Firm* — Rory Schermerhorn

(22) Filed: **Nov. 11, 2014**

(51) **LOC (10) Cl.** **24-02**

(52) **U.S. Cl.**
USPC **D24/133**

(58) **Field of Classification Search**
USPC D24/133, 140, 143; 600/202, 213, 219,
600/224; 606/60, 246, 248, 249, 250, 257,
606/277, 279
CPC A61B 5/4836; A61B 1/32; A61B 5/04001;
A61B 17/0206; A61N 1/0551; A61N 1/36017;
A61N 1/36135; A61N 1/37247; A61N
1/37241

See application file for complete search history.

(57) **CLAIM**

The ornamental design for a combined intradiscal insertion
tool and intradiscal shim, substantially as shown and
described.

DESCRIPTION

FIG. 1 is a perspective view of a front side of an combined
intradiscal insertion tool and intradiscal shim showing our
new design with the intradiscal tool removed for ease of
illustration;
FIG. 2 is a perspective view of a rear side thereof;
FIG. 3 is a side view thereof;
FIG. 4 is a perspective front view of an combined intradiscal
insertion tool and intradiscal shim showing our new design
with the combined intradiscal insertion tool and intradiscal
shim removed for ease of illustration;
FIG. 5 is a is a perspective view of a rear side thereof;
FIG. 6 is a side view thereof;
FIG. 7 is a perspective front view of an combined intradiscal
insertion tool and intradiscal shim showing our new design;
FIG. 8 is a is a perspective view of a rear side thereof; and,
FIG. 9 is a side view thereof.

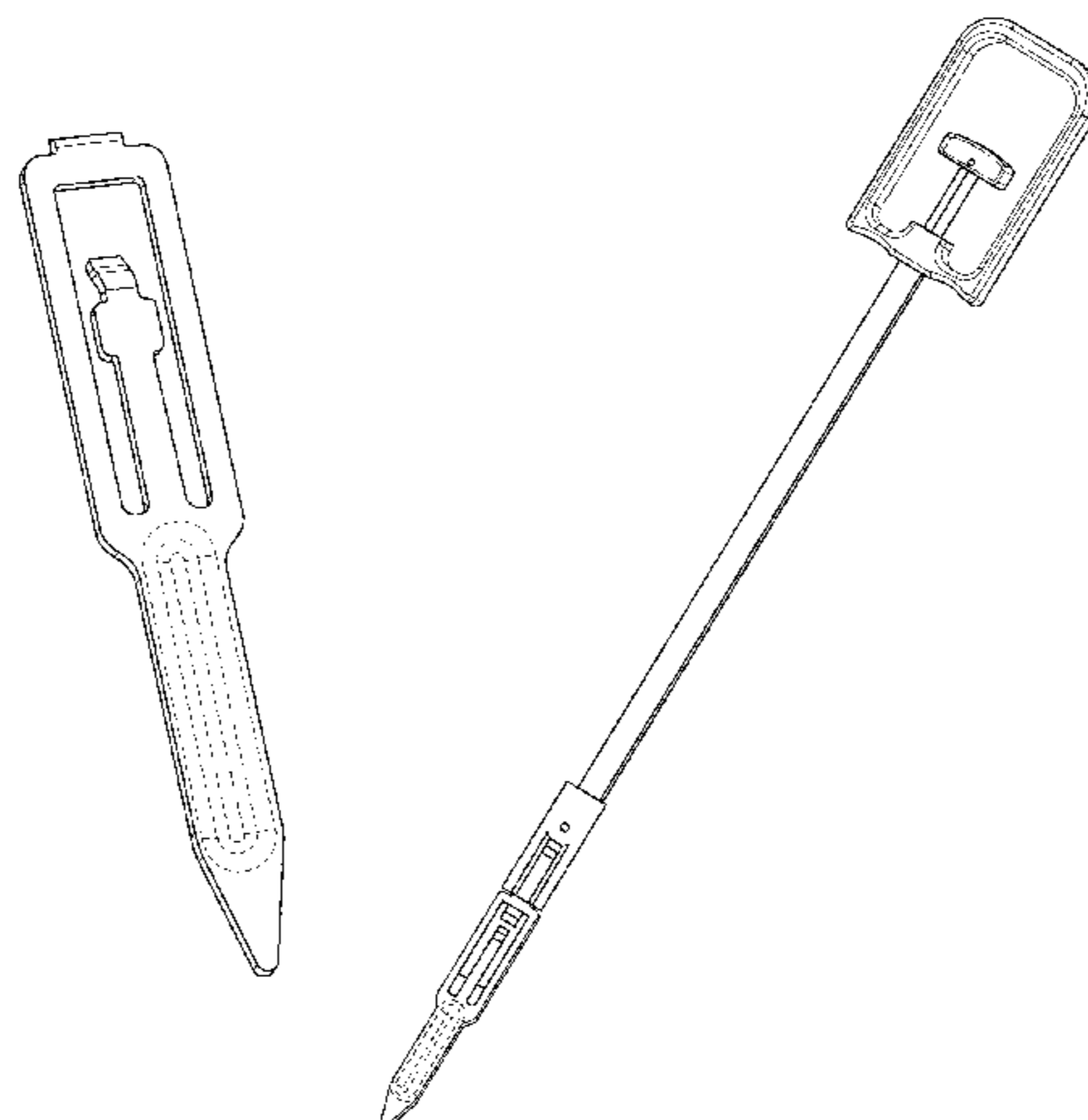
The broken lines shown in the figures are included for the
purpose of illustrating portions of the article and form no part
of the claimed design.

(56) **References Cited**

U.S. PATENT DOCUMENTS

7,207,949 B2 4/2007 Miles et al.
7,582,058 B1 9/2009 Miles et al.
7,691,057 B2 4/2010 Miles et al.
7,819,801 B2 10/2010 Miles et al.
7,905,840 B2 3/2011 Pimenta et al.
8,062,303 B2* 11/2011 Berry A61F 2/4611
600/219
8,137,284 B2 3/2012 Miles et al.
8,702,600 B2* 4/2014 Perrow A61B 1/32
600/201
9,066,701 B1* 6/2015 Finley A61B 1/32

1 Claim, 3 Drawing Sheets



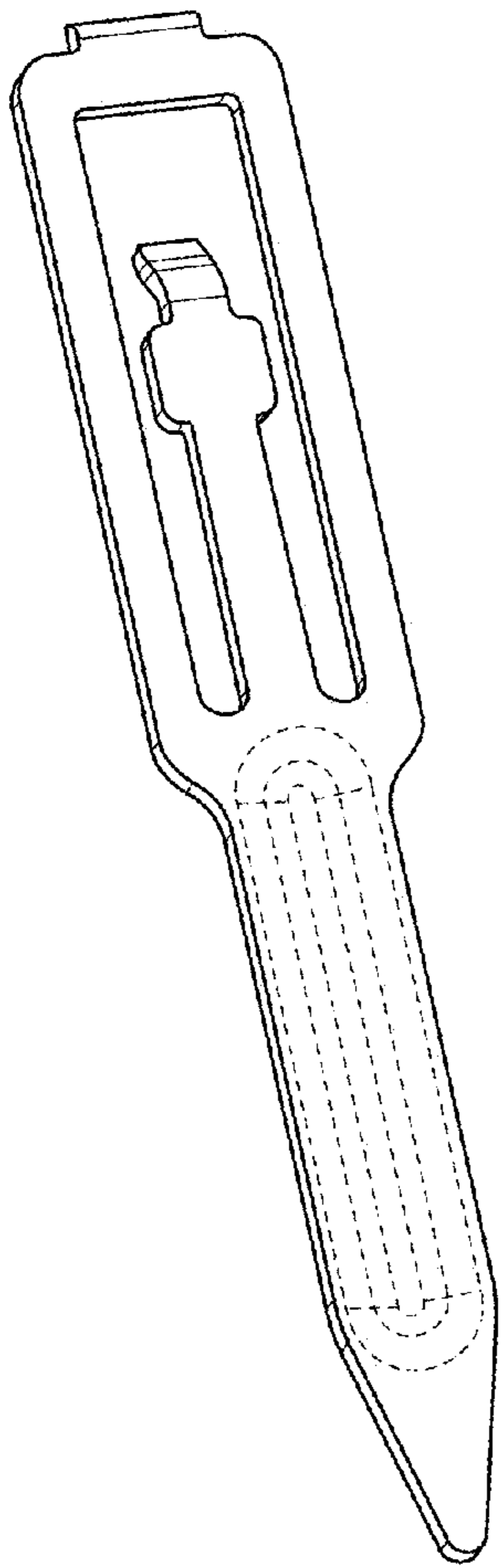


FIG. 1

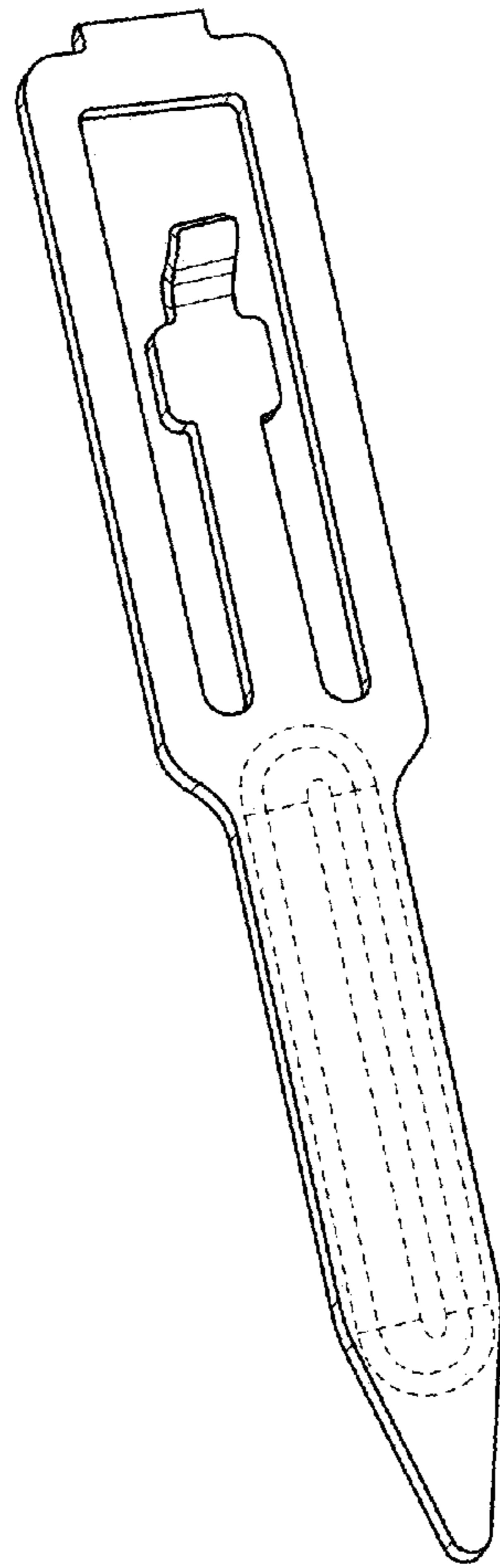


FIG. 2

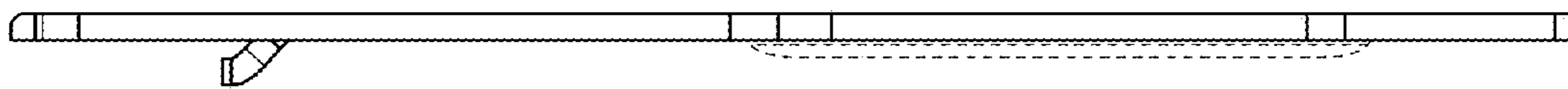


FIG. 3

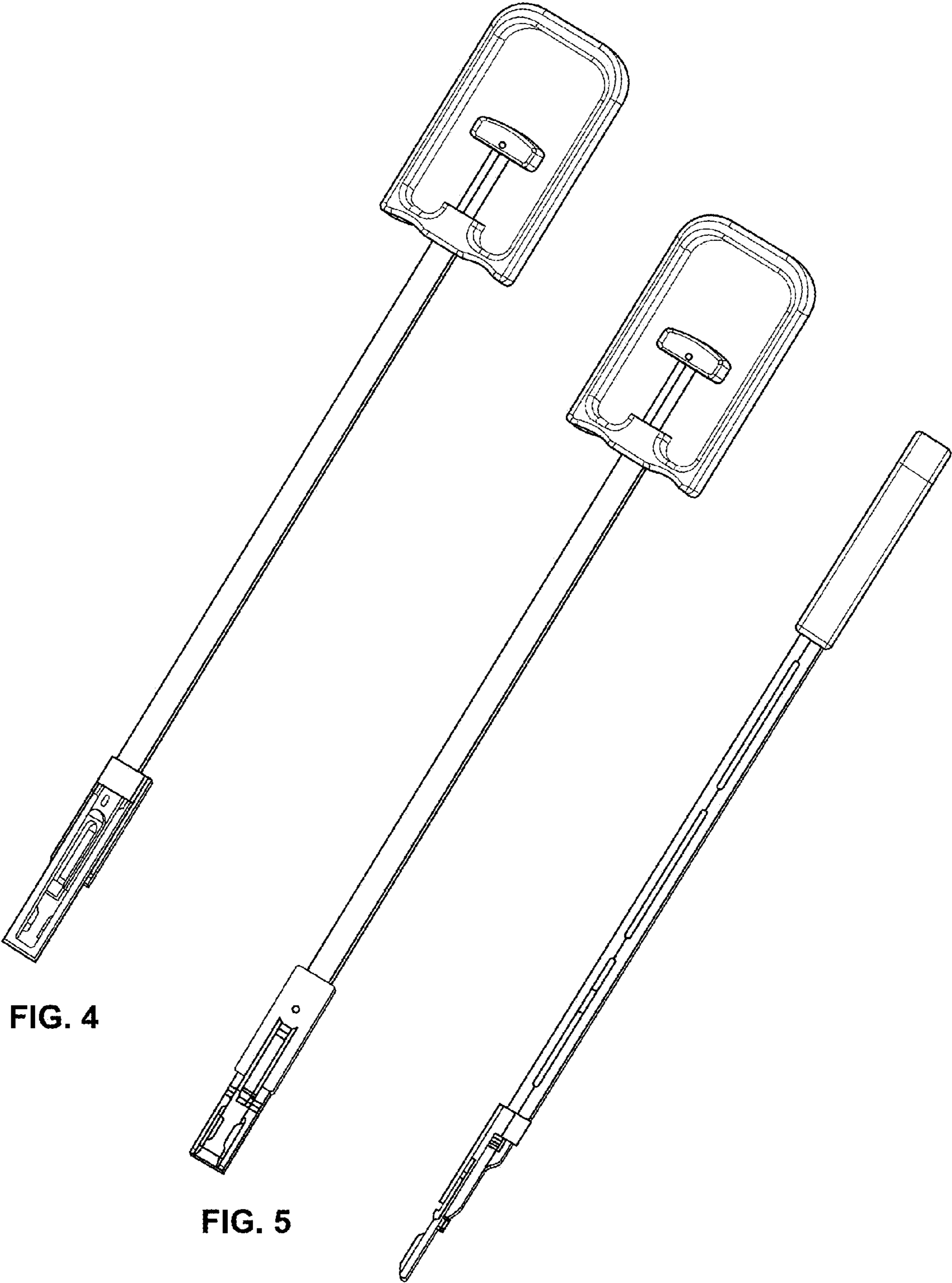


FIG. 4

FIG. 5

FIG. 6

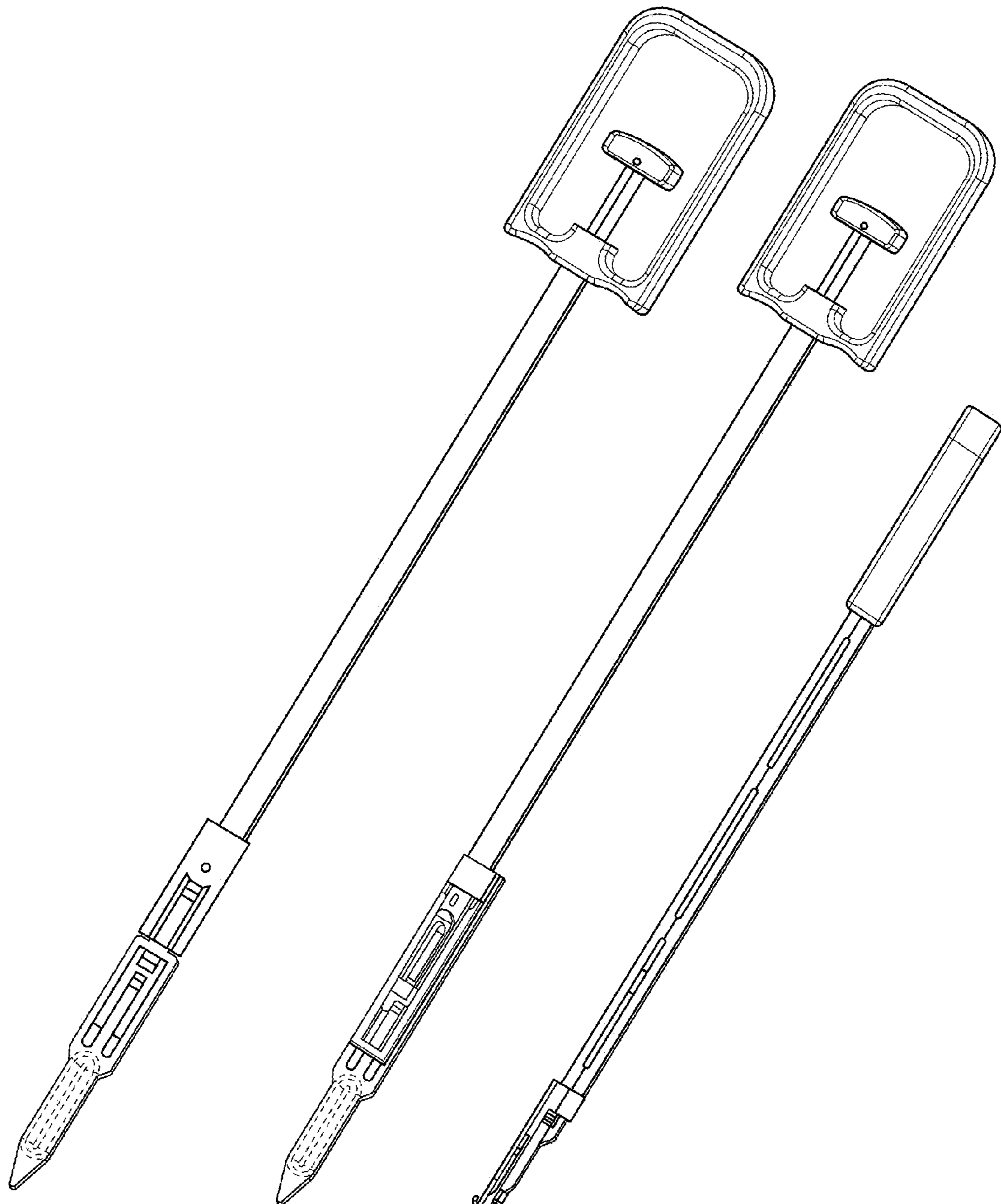


FIG. 7

FIG. 8

FIG. 9