



US00D761956S

(12) **United States Design Patent**
Chauvette

(10) **Patent No.:** **US D761,956 S**
(45) **Date of Patent:** **** Jul. 19, 2016**

- (54) **KEYWAY PORTION**
- (71) Applicant: **Conmed Corporation**, Utica, NY (US)
- (72) Inventor: **Guillaume Chauvette**, Victoriaville (CA)
- (73) Assignee: **Conmed Corporation**, Utica, NY (US)
- (**) Term: **15 Years**
- (21) Appl. No.: **29/543,337**
- (22) Filed: **Oct. 23, 2015**

Related U.S. Application Data

- (62) Division of application No. 29/439,731, filed on Dec. 14, 2012, now Pat. No. Des. 749,211.
- (51) **LOC (10) Cl.** **24-01**
- (52) **U.S. Cl.**
USPC **D24/129**
- (58) **Field of Classification Search**
USPC D24/127-131, 112-114, 133, 186;
606/181, 185; 604/264, 272, 115, 232,
604/187, 158, 164.08, 192, 263, 163, 181,
604/184, 198, 227; 600/101, 139, 143;
128/200.24, 207.14, 207.15
CPC A61B 2017/0256; A61B 17/7065;
A61B 17/7068; A61B 17/66; A61B 17/7071
See application file for complete search history.

(56) **References Cited**

U.S. PATENT DOCUMENTS

- D247,574 S * 3/1978 Orsing 433/91
- D257,063 S * 9/1980 Galindo D24/127
- D298,355 S * 11/1988 Young D24/128
- D323,555 S * 1/1992 Rasmusson D24/133
- D339,864 S * 9/1993 Stern D24/129
- 5,336,206 A * 8/1994 Shichman A61B 17/3403
604/164.12
- 5,389,084 A * 2/1995 Horan A61M 5/3202
30/151
- 5,792,116 A * 8/1998 Berg A61M 25/0012
600/585

- D431,864 S * 10/2000 Jansen D24/129
- D435,101 S * 12/2000 Graneto, III D24/108
- D435,652 S * 12/2000 Nazarifar D23/262
- 6,183,435 B1 * 2/2001 Bumbalough A61M 25/0147
604/95.01
- 8,328,717 B2 * 12/2012 Battles A61B 17/3462
600/206
- D675,729 S * 2/2013 Wang D24/108
- D678,770 S * 3/2013 Kawamura D9/452
- 8,708,975 B2 * 4/2014 Heald A61M 5/20
604/187
- D717,948 S * 11/2014 Strong D24/130
- 2006/0235364 A1 * 10/2006 O'Hare A61J 1/2096
604/411
- 2006/0287664 A1 * 12/2006 Grage, Jr. A61B 5/1411
606/181
- 2008/0195051 A1 * 8/2008 Graf A61M 5/315
604/187
- 2009/0234227 A1 * 9/2009 Punga A61B 6/481
600/435
- 2010/0234811 A1 * 9/2010 Schubert A61M 5/326
604/198

(Continued)

Primary Examiner — David Muller

Assistant Examiner — Nathan Johnston

(74) *Attorney, Agent, or Firm* — Bond, Schoeneck & King, PLLC; Frederick Price

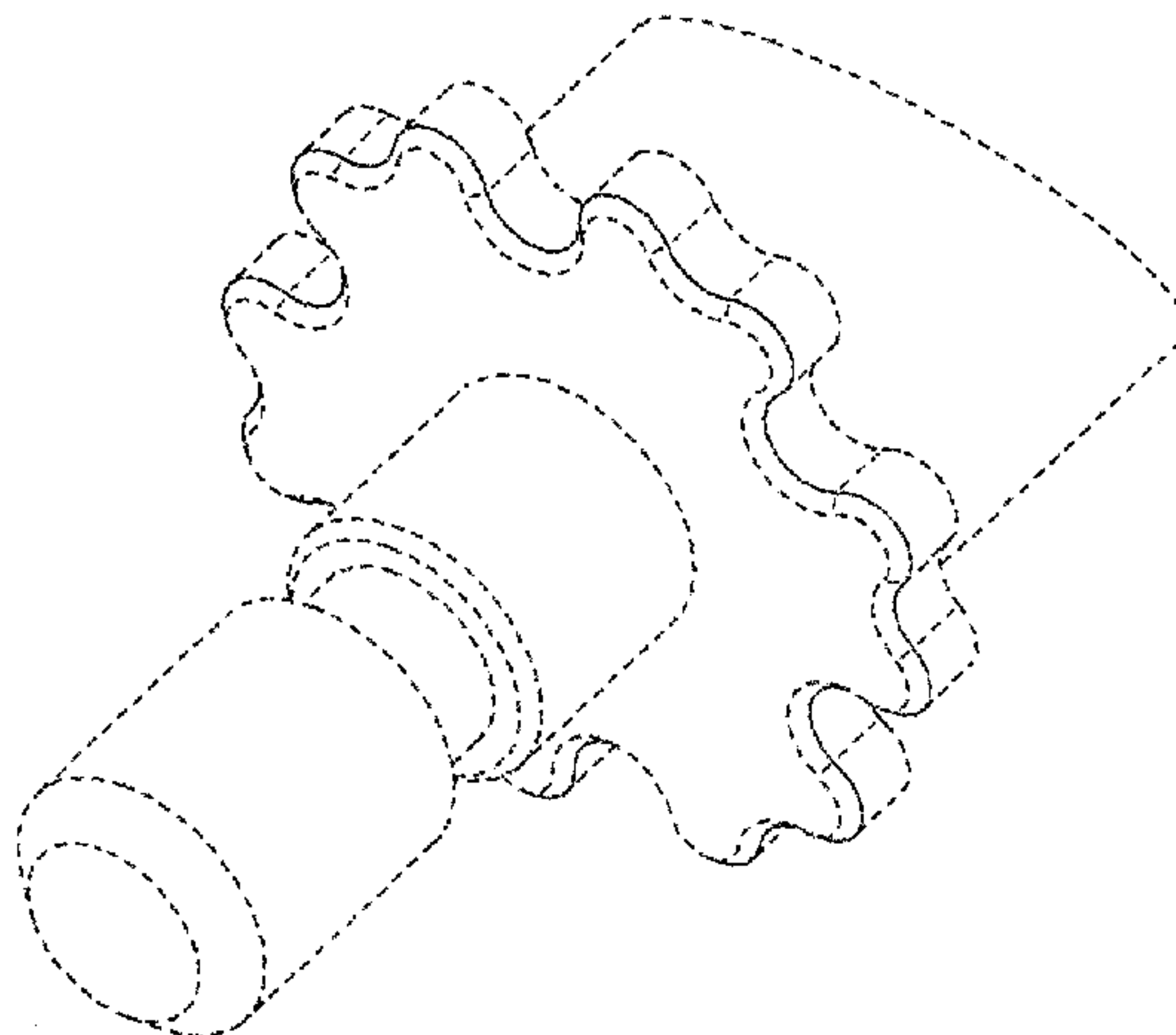
(57) **CLAIM**

The ornamental design for a keyway portion, as shown and described.

DESCRIPTION

FIG. 1 is a perspective view taken from a bottom, front, right side of a keyway portion;
 FIG. 2 is a front elevation view thereof;
 FIG. 3 is a perspective view taken from a top, front, right side thereof shown on a connector where the keyway portion is part of a female keyway of the connector; and,
 FIG. 4 is a perspective view taken from a top, rear, left side thereof shown on a connector where the keyway portion is part of a male keyway of the connector.
 The dashed lines in the figures illustrate the portions of the design that form no part of the claimed design. Portions of the keyway portion not shown in the Figures and not otherwise described in this specification do not form part of the claimed design.

1 Claim, 4 Drawing Sheets



US D761,956 S

Page 2

(56)

References Cited

2013/0281942 A1* 10/2013 Teucher A61M 5/347
604/241

U.S. PATENT DOCUMENTS

2013/0247904 A1* 9/2013 Porat A61M 39/08
128/200.24

* cited by examiner

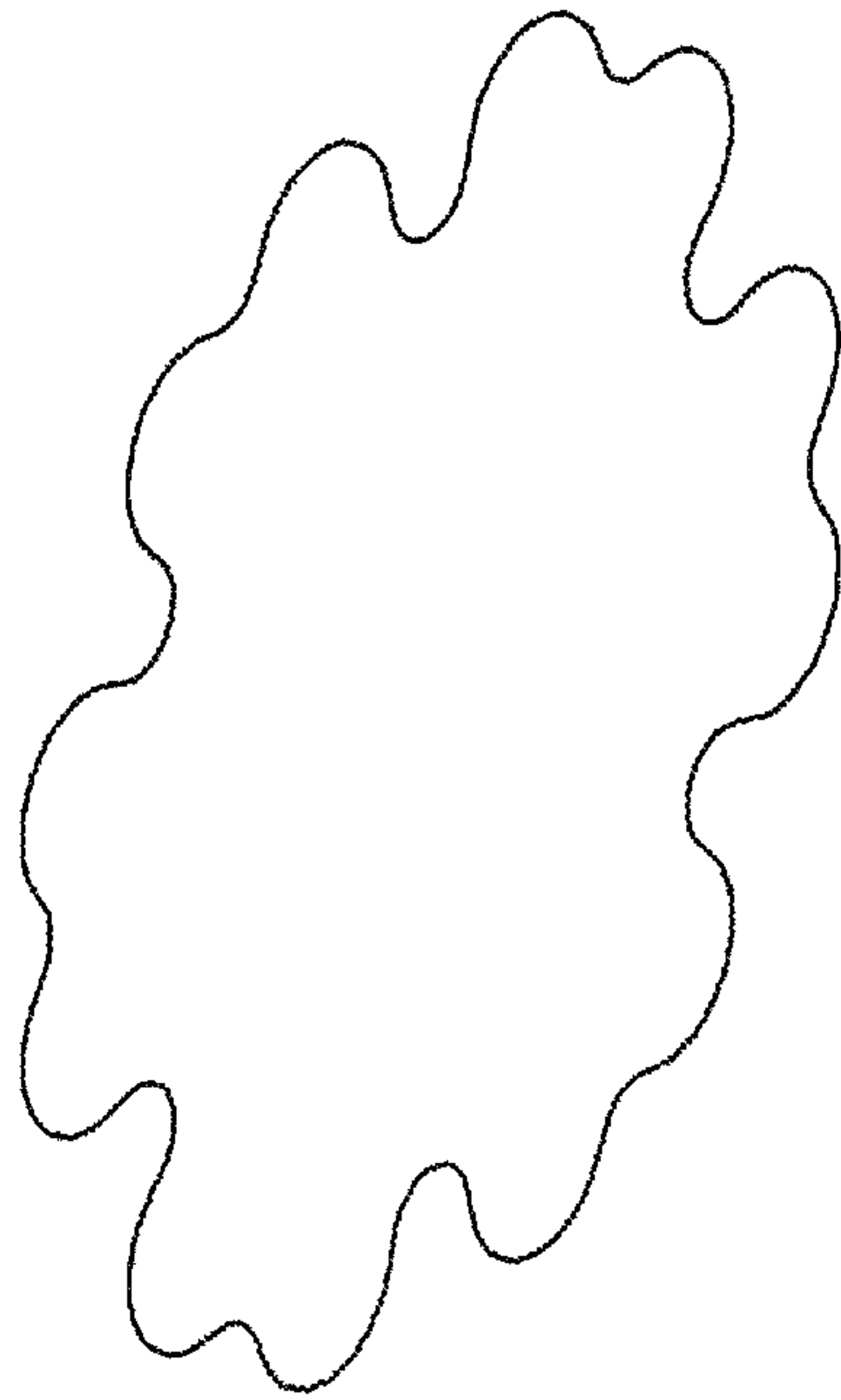


FIG. 1

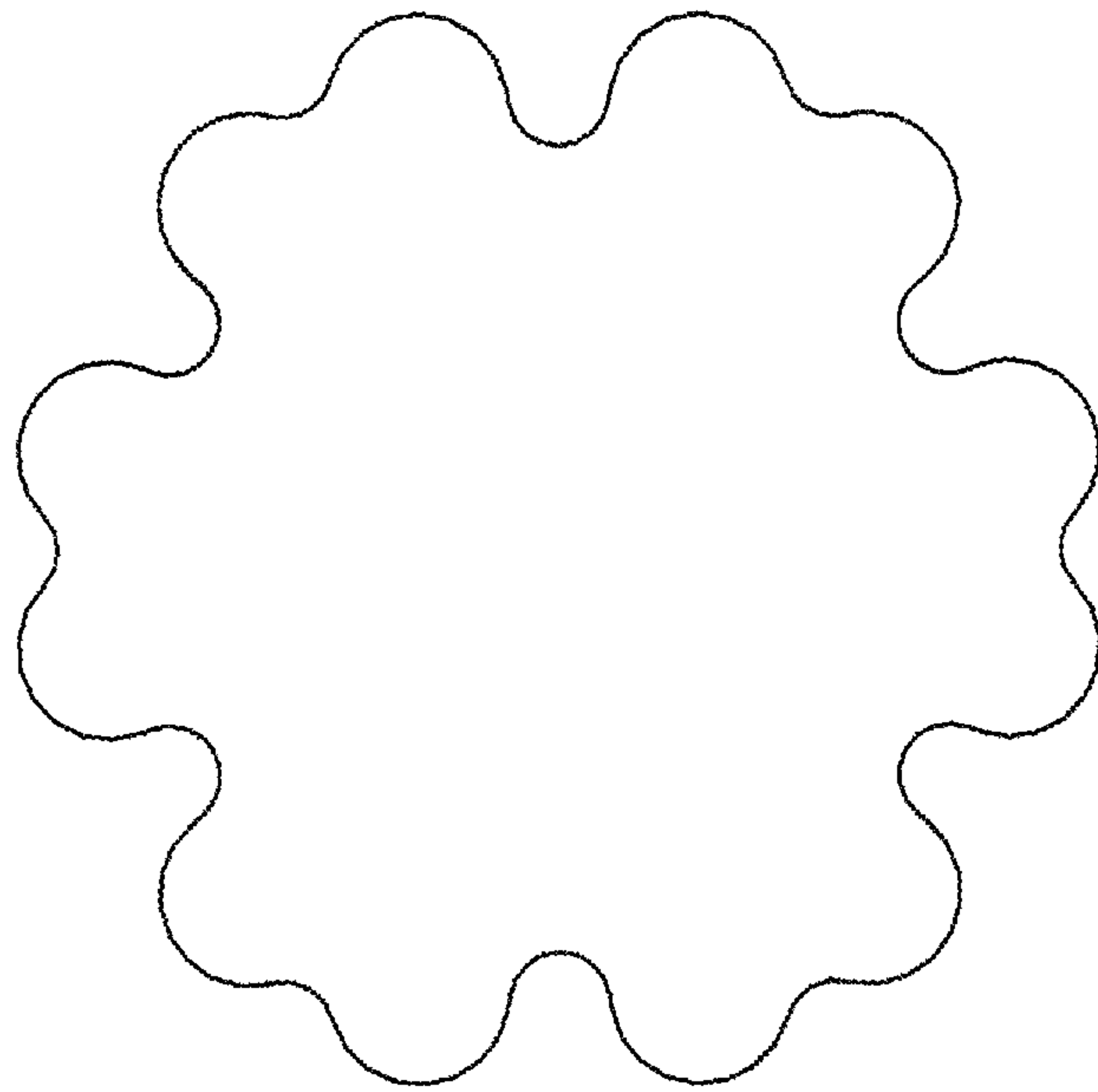


FIG. 2

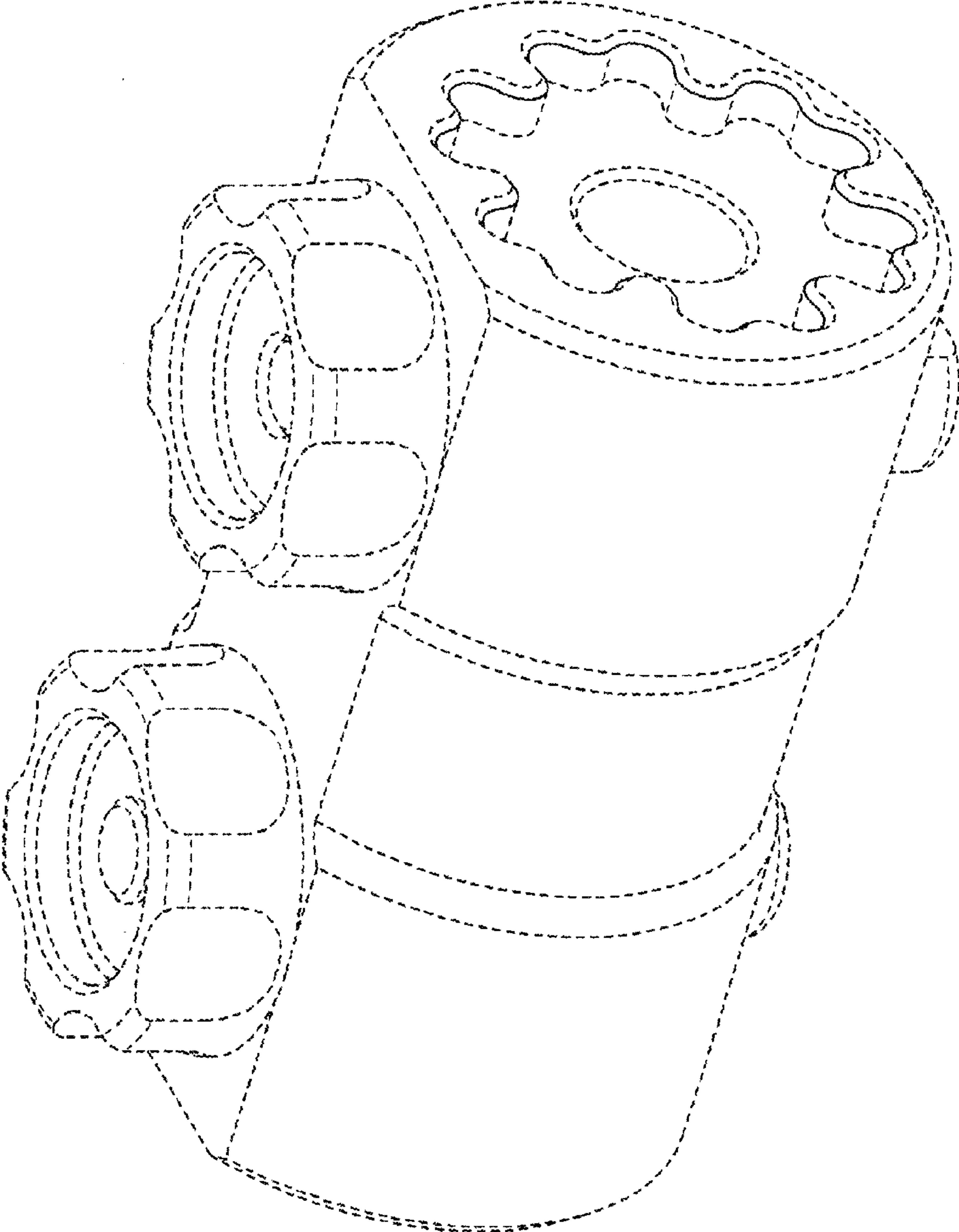


FIG. 3

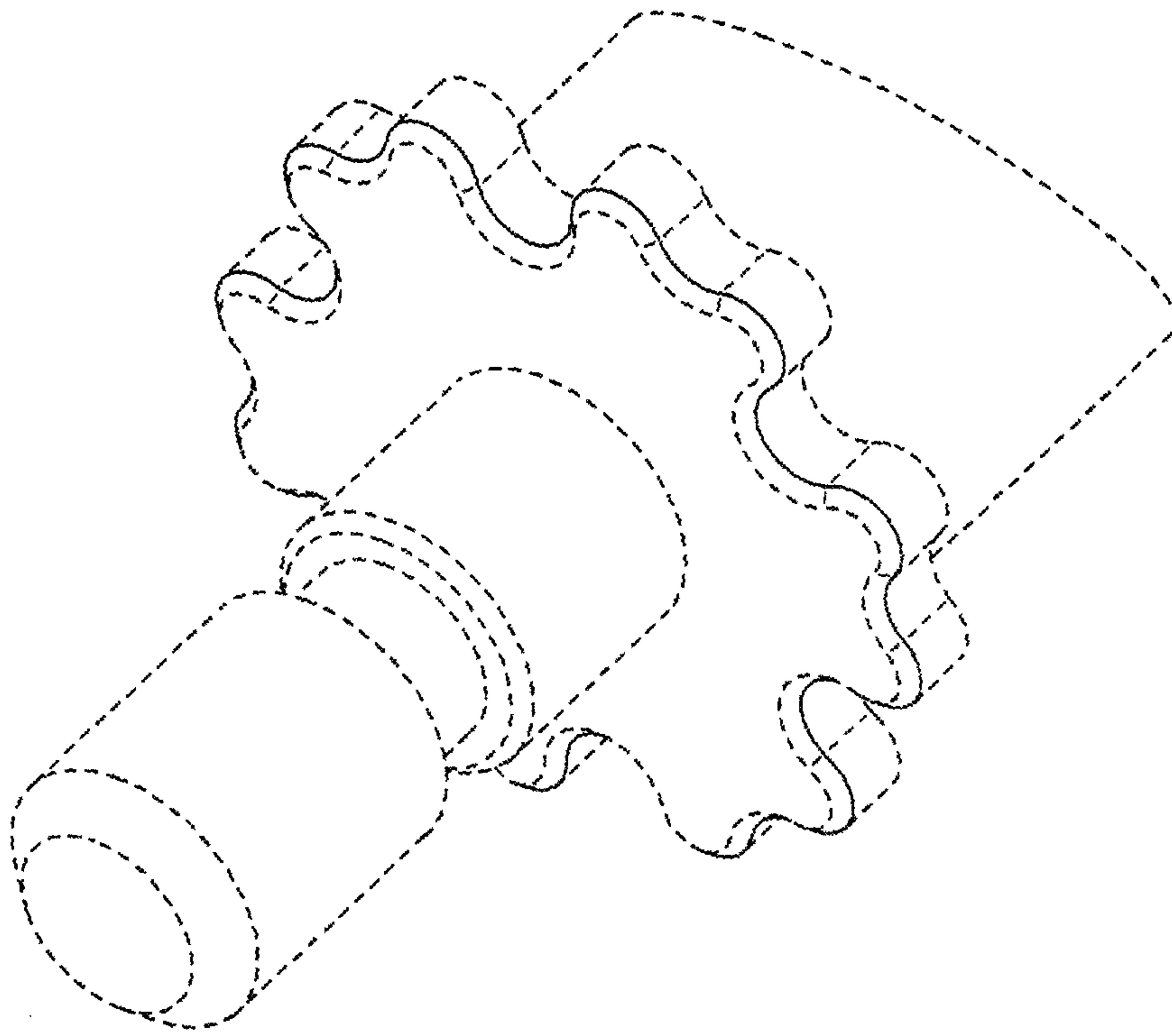


FIG. 4