



US00D761954S

(12) **United States Design Patent**
Eckstein et al.

(10) **Patent No.:** **US D761,954 S**
(45) **Date of Patent:** **** Jul. 19, 2016**

(54) **SYRINGE**

(71) Applicant: **3M INNOVATIVE PROPERTIES COMPANY**, St. Paul, MN (US)

(72) Inventors: **Stefan Eckstein**, München (DE);
Andreas J. Boehm, Reichlin (DE);
Marc Peuker, Schöndörf (DE)

(73) Assignee: **3M Innovative Properties Company**,
St. Paul, MN (US)

(**) Term: **14 Years**

(21) Appl. No.: **29/504,290**

(22) Filed: **Oct. 3, 2014**

(30) **Foreign Application Priority Data**

Apr. 10, 2014 (EP) 1408728-1/2

(51) **LOC (10) Cl.** **24-02**

(52) **U.S. Cl.**
USPC **D24/114**

(58) **Field of Classification Search**
USPC D24/112-114, 127-131, 133, 186;
606/181, 185; 604/264, 272, 115, 232,
604/187, 158, 164.08, 192, 263, 163, 181,
604/184, 198, 227; 600/101, 139, 143;
128/200.24, 207.14, 207.15
CPC A61M 5/3156; A61M 5/31591; A61M
5/3155; A61M 5/3157; A61M 5/24; A61M
5/31501; A61M 5/31551; A61M 5/31585;
A61M 2005/2407; A61M 2005/2492; A61M
2205/581; A61M 2205/582

See application file for complete search history.

(56) **References Cited**

U.S. PATENT DOCUMENTS

3,739,947 A 6/1973 Baumann
D287,877 S 1/1987 Holewinski
4,941,752 A 7/1990 Yant

(Continued)

OTHER PUBLICATIONS

Tetric EvoCeram & Tetric EvoFlow®, Ivoclar Vivodent, Oct. 29,
2013, 10 pages.

(Continued)

Primary Examiner — David Muller

Assistant Examiner — Nathan Johnston

(74) *Attorney, Agent, or Firm* — Melissa Buss

(57) **CLAIM**

The ornamental design for a syringe, as shown and described.

DESCRIPTION

FIG. 1 is a perspective view of one embodiment of a syringe showing the new design for a syringe.

FIG. 2 is a right side elevation view thereof;

FIG. 3 is a top plan view thereof;

FIG. 4 is a bottom plan view thereof;

FIG. 5 is a left elevation view thereof;

FIG. 6 is a front elevation view thereof; and

FIG. 7 is a rear elevation view thereof.

FIG. 8 is a perspective view of another embodiment of a syringe showing the new design for a syringe, where a portion of the flange is transparent.

FIG. 9 is a right side elevation view thereof;

FIG. 10 is a top plan view thereof;

FIG. 11 is a bottom plan view thereof;

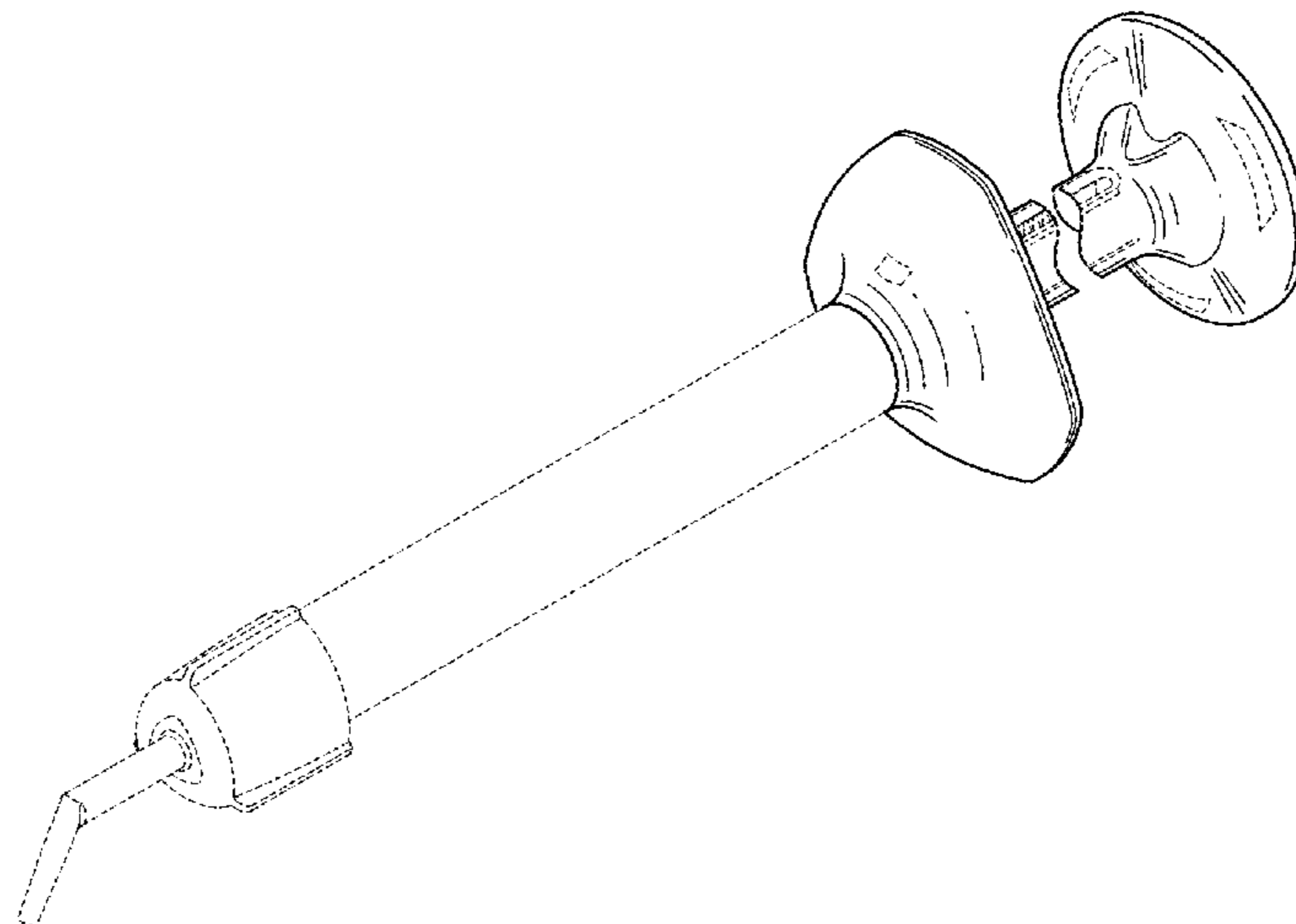
FIG. 12 is a left side elevation view thereof;

FIG. 13 is a front elevation view thereof; and,

FIG. 14 is a rear elevation view thereof.

The portions of the Syringe in FIGS. 1-14 shown in broken lines are included to show features that form no part of the claimed design. The syringe is shown with a symbolic break in its length. The appearance of any portion of the article between the break lines forms no part of the claimed design.

1 Claim, 6 Drawing Sheets



(56)

References Cited

U.S. PATENT DOCUMENTS

5,324,273 A 6/1994 Discsko, Jr.
 5,392,904 A 2/1995 Frick
 5,542,934 A * 8/1996 Silver A61M 5/19
 604/191
 5,624,400 A * 4/1997 Firth A61B 5/1405
 604/110
 D383,205 S * 9/1997 Pagay D24/112
 D401,325 S * 11/1998 Hjertman D24/114
 D419,236 S 1/2000 Carlson
 D421,121 S 2/2000 Prasad
 D429,812 S * 8/2000 Hjertman D24/114
 D436,661 S * 1/2001 Berry D24/114
 D472,323 S 3/2003 Sand
 6,884,071 B2 4/2005 Martin
 7,562,792 B2 7/2009 Nisbet
 D645,958 S 9/2011 Assmann
 D663,833 S * 7/2012 Ahn D24/114
 D672,873 S 12/2012 An
 D681,808 S 5/2013 Holaschke
 D690,813 S 10/2013 Bizzell
 D693,940 S 11/2013 Walter
 D696,787 S 12/2013 Walter
 D698,918 S 2/2014 Leiner
 D730,515 S * 5/2015 Shahidi Bonjar D24/114
 D733,870 S * 7/2015 Broyles D24/114
 D739,934 S * 9/2015 Broyles D24/114

2010/0240004 A1 9/2010 Zalsman
 2011/0114668 A1 5/2011 Bublewitz
 2013/0101955 A1 4/2013 Broyles
 2013/0260335 A1 10/2013 Peuker

OTHER PUBLICATIONS

U.S. Appl. No. 29/486,556, to Eckstein, et al., filed Mar. 31, 2014, entitled *Mixing Tip*.
 U.S. Appl. No. 29/486,560, to Eckstein, et al., filed Mar. 31, 2014, entitled *Mixing Tip*.
 U.S. Appl. No. 29/486,601, to Eckstein, et al., filed Apr. 1, 2014, entitled *Plunger*.
 U.S. Appl. No. 29/486,602, to Eckstein, et al., filed Apr. 1, 2014, entitled *Mixing Tip*.
 U.S. Appl. No. 29/486,605, to Eckstein, et al., filed Apr. 1, 2014, entitled *Plunger*.
 U.S. Appl. No. 29/486,607, to Eckstein, et al., filed Apr. 1, 2014, entitled *Mixing Tip*.
 U.S. Appl. No. 29/483,994, to Broyles, filed Mar. 5, 2014, entitled *Flowable Syringe*.
 U.S. Appl. No. 29,504,525, to Eckstein, filed Oct. 7, 2014, entitled *Nozzle for Syringe*.
 U.S. Appl. No. 29,504,529, to Eckstein, filed Oct. 7, 2014, entitled *Nozzle for Syringe*.
 U.S. Appl. No. 29,504,531, to Eckstein, filed Oct. 7, 2014, entitled *Nozzle for syringe*.

* cited by examiner

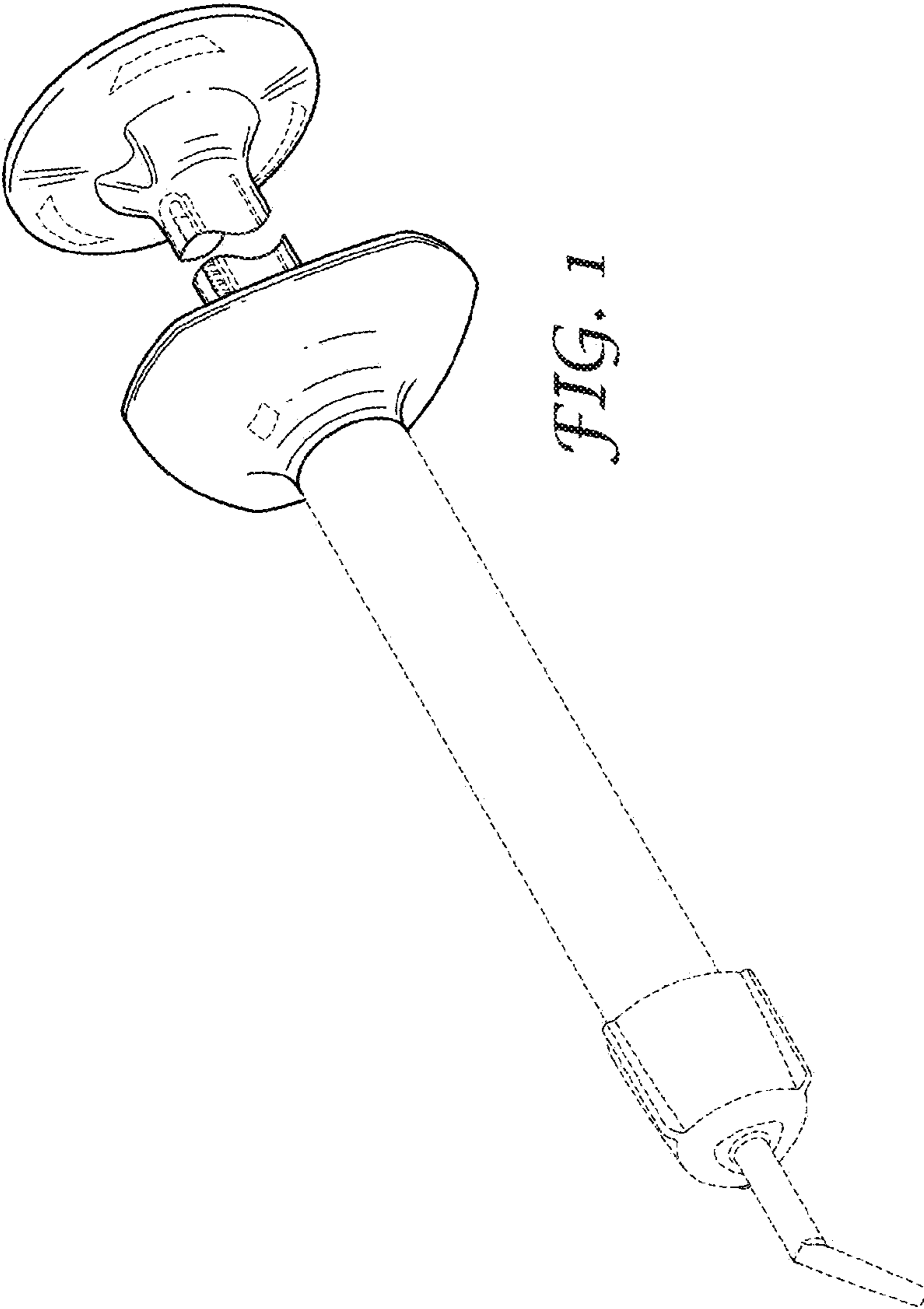


FIG. 1

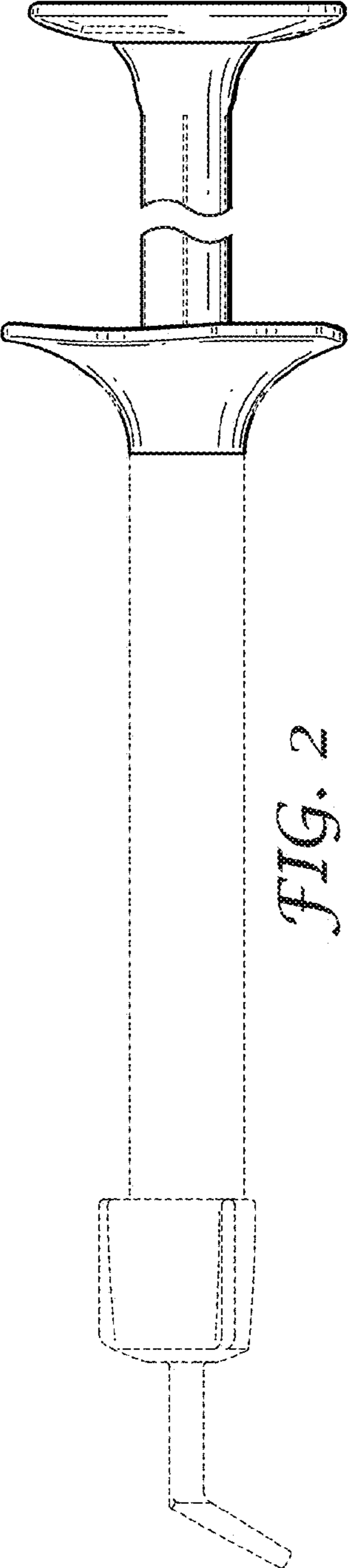
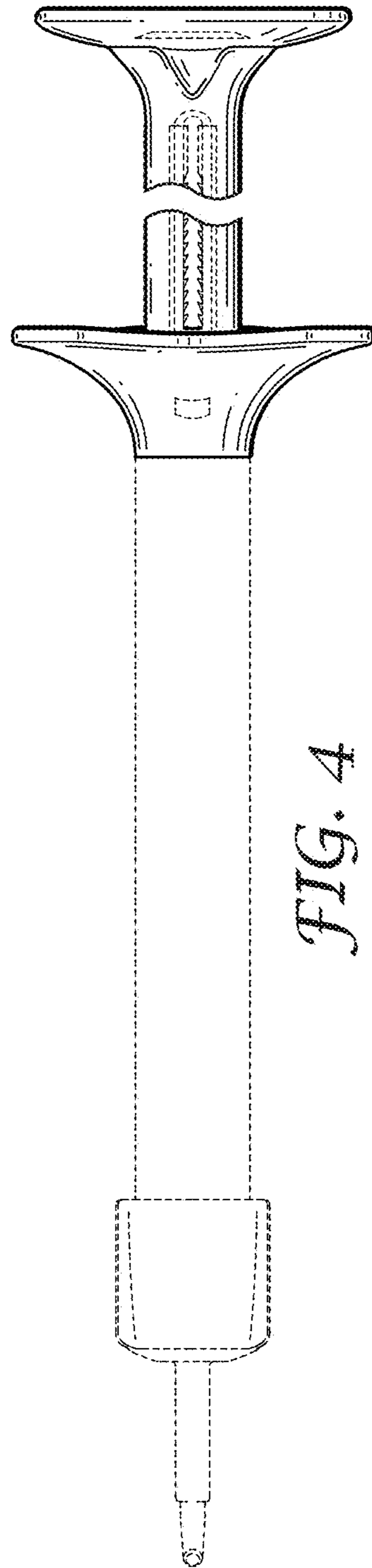
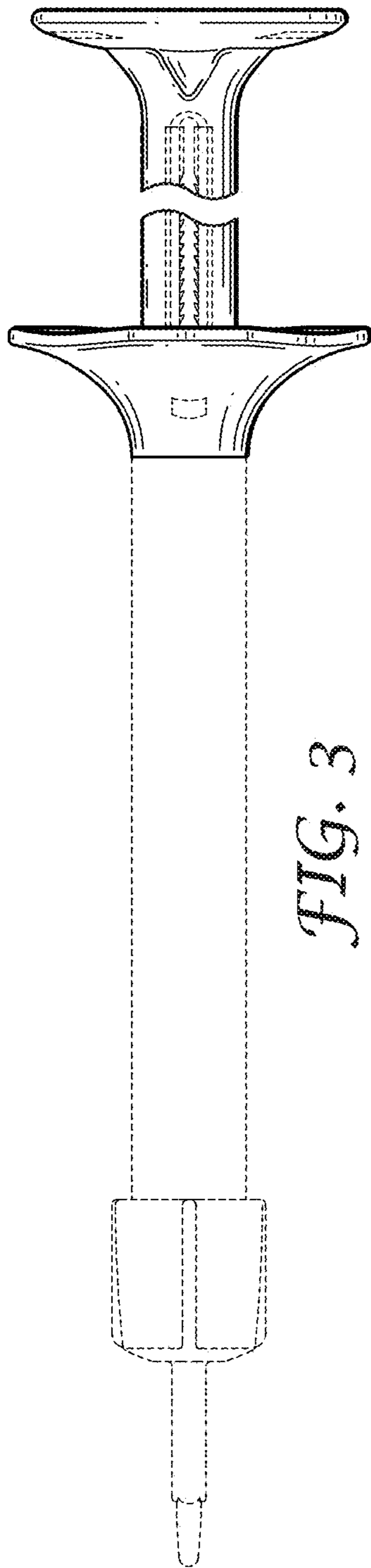


FIG. 2



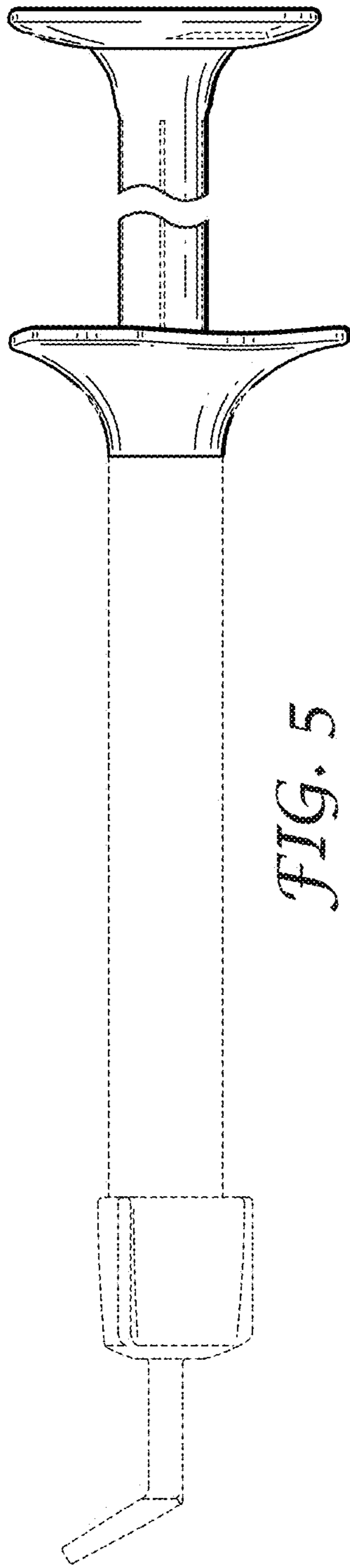


FIG. 5

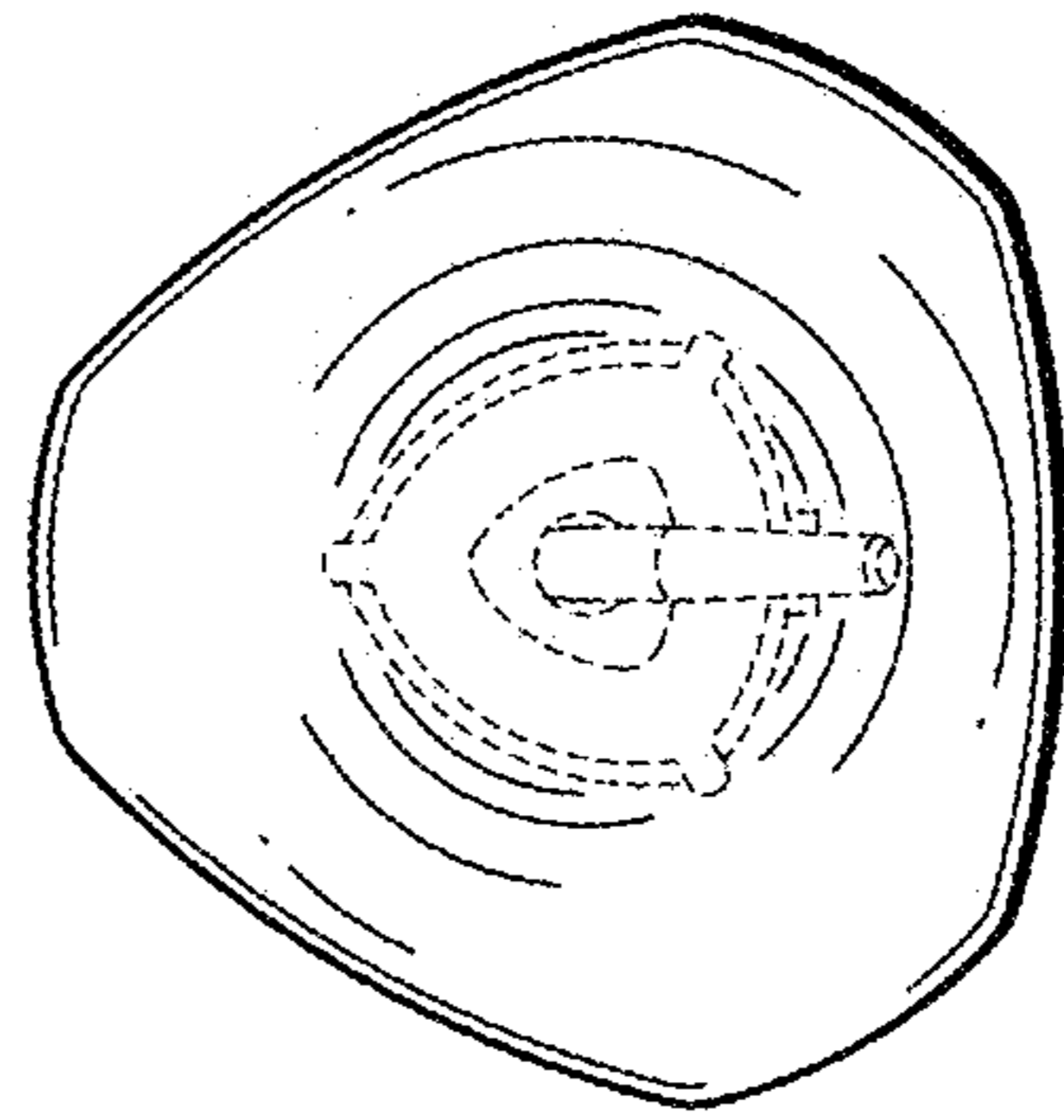


FIG. 6

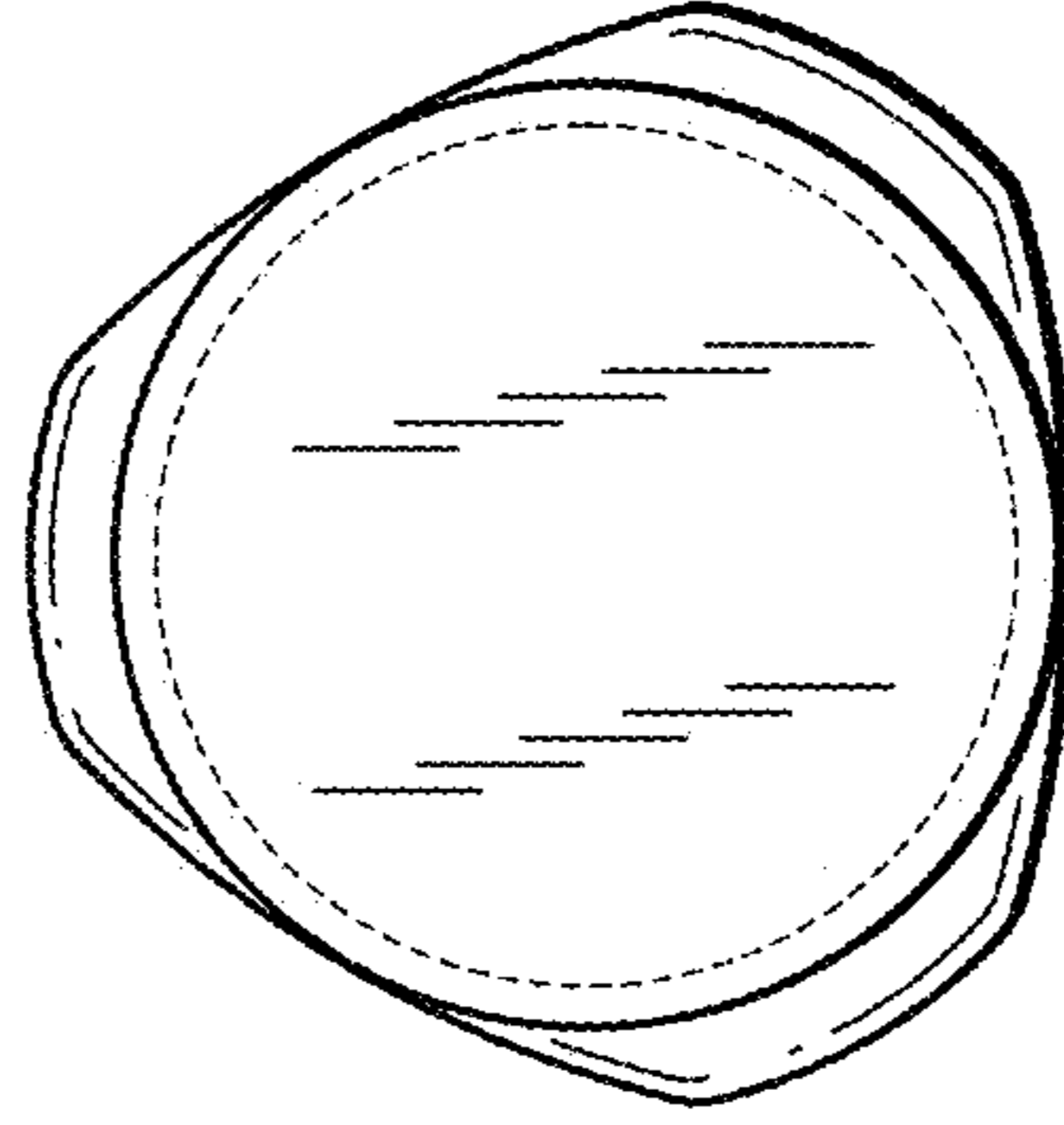
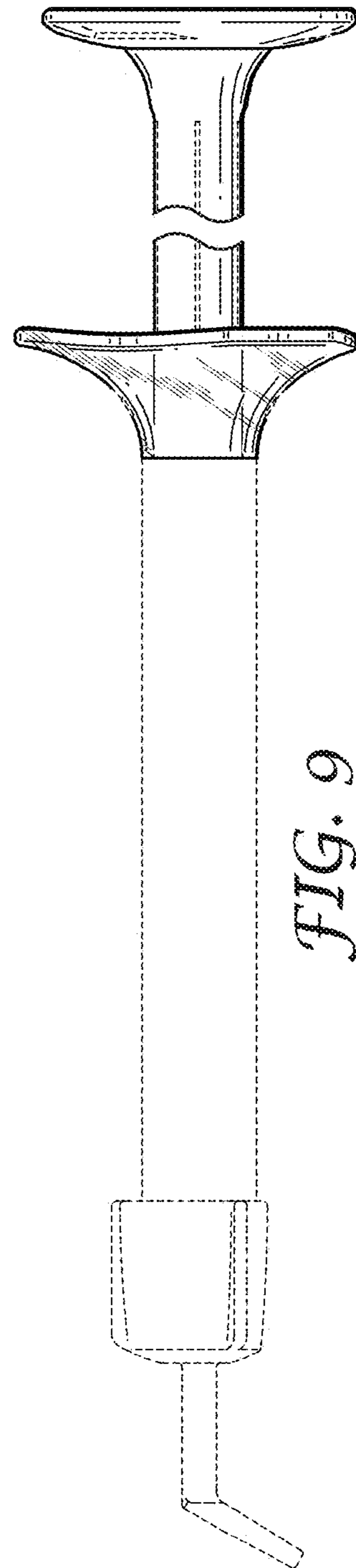
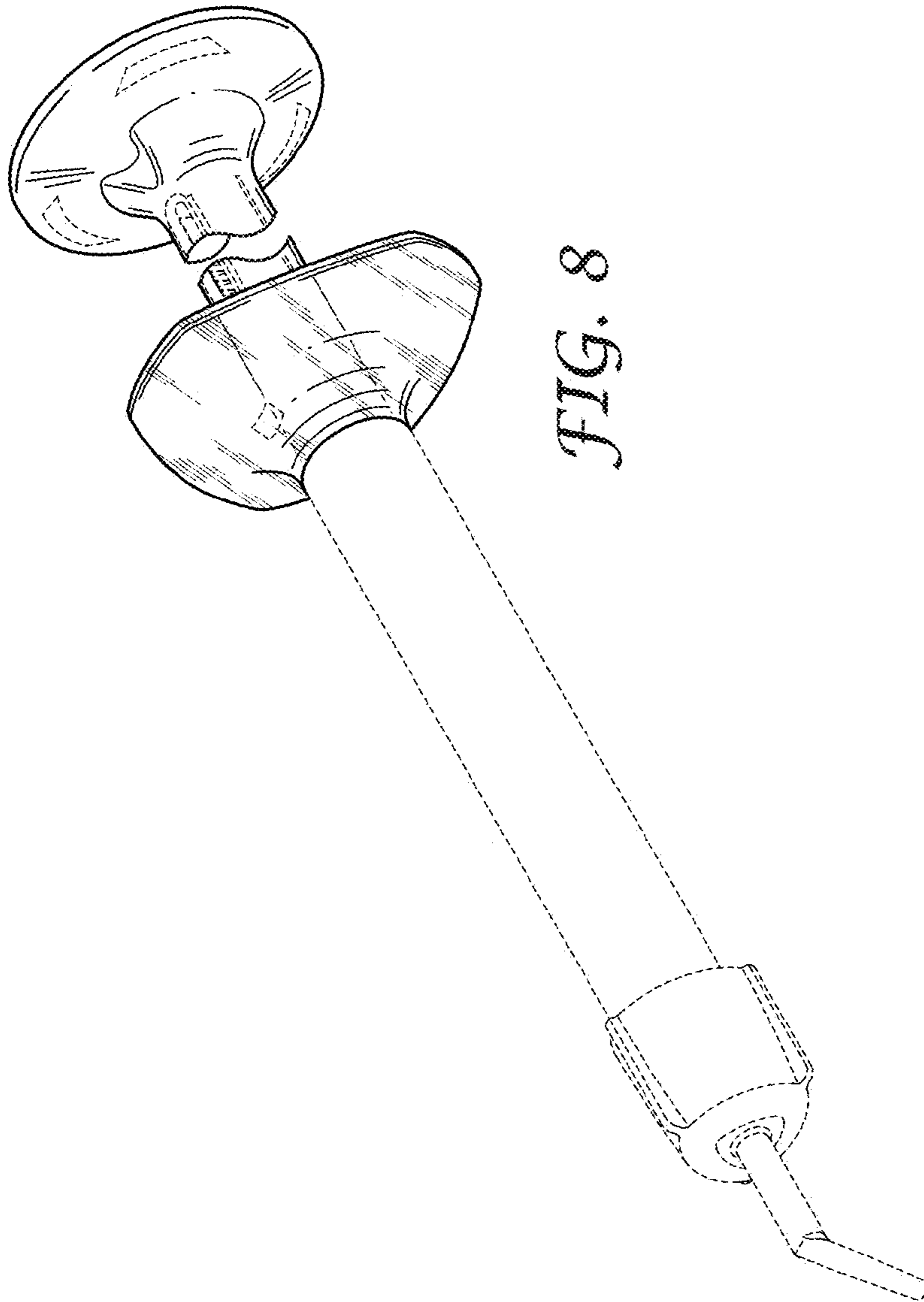


FIG. 7



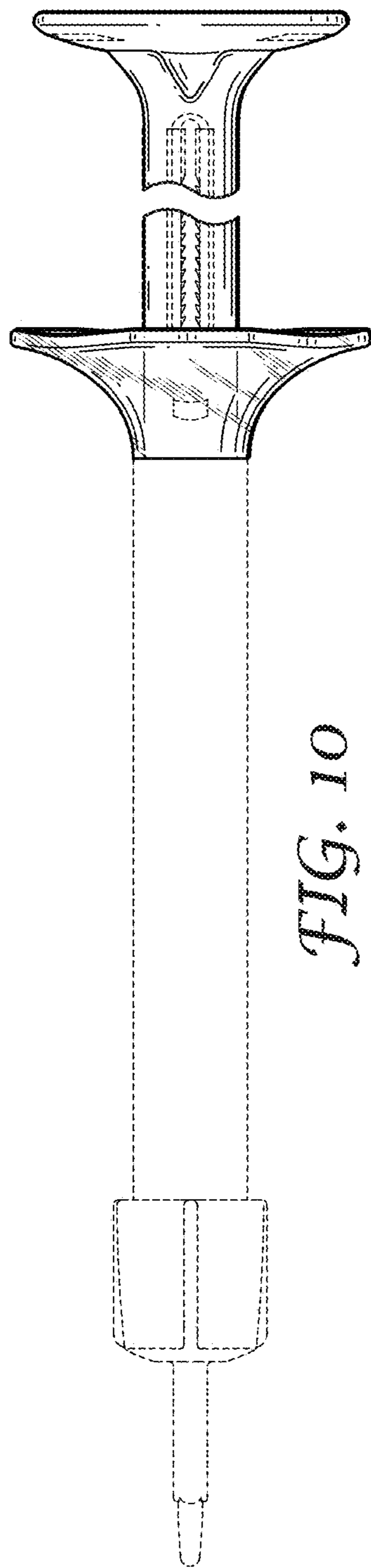


FIG. 10

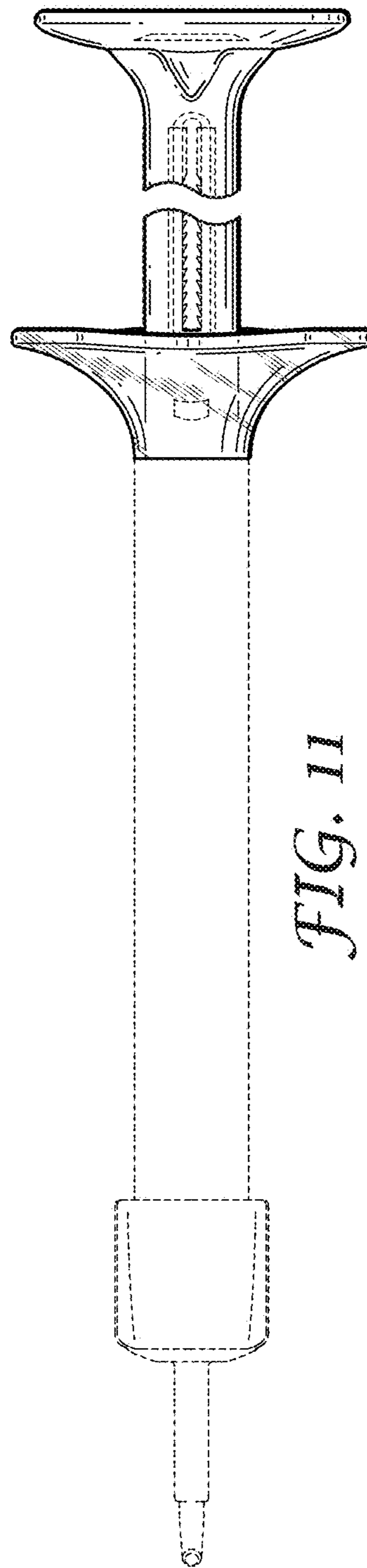


FIG. 11

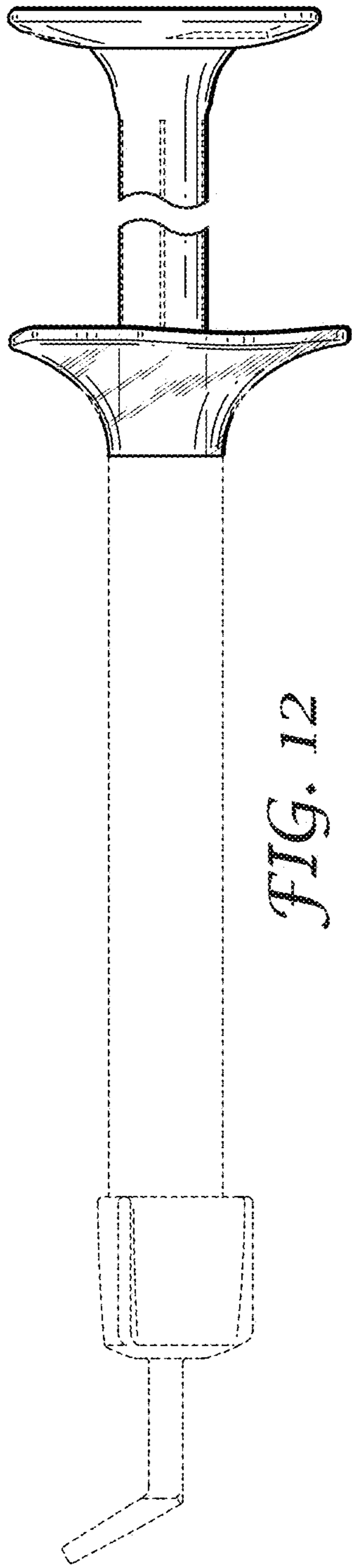


FIG. 12

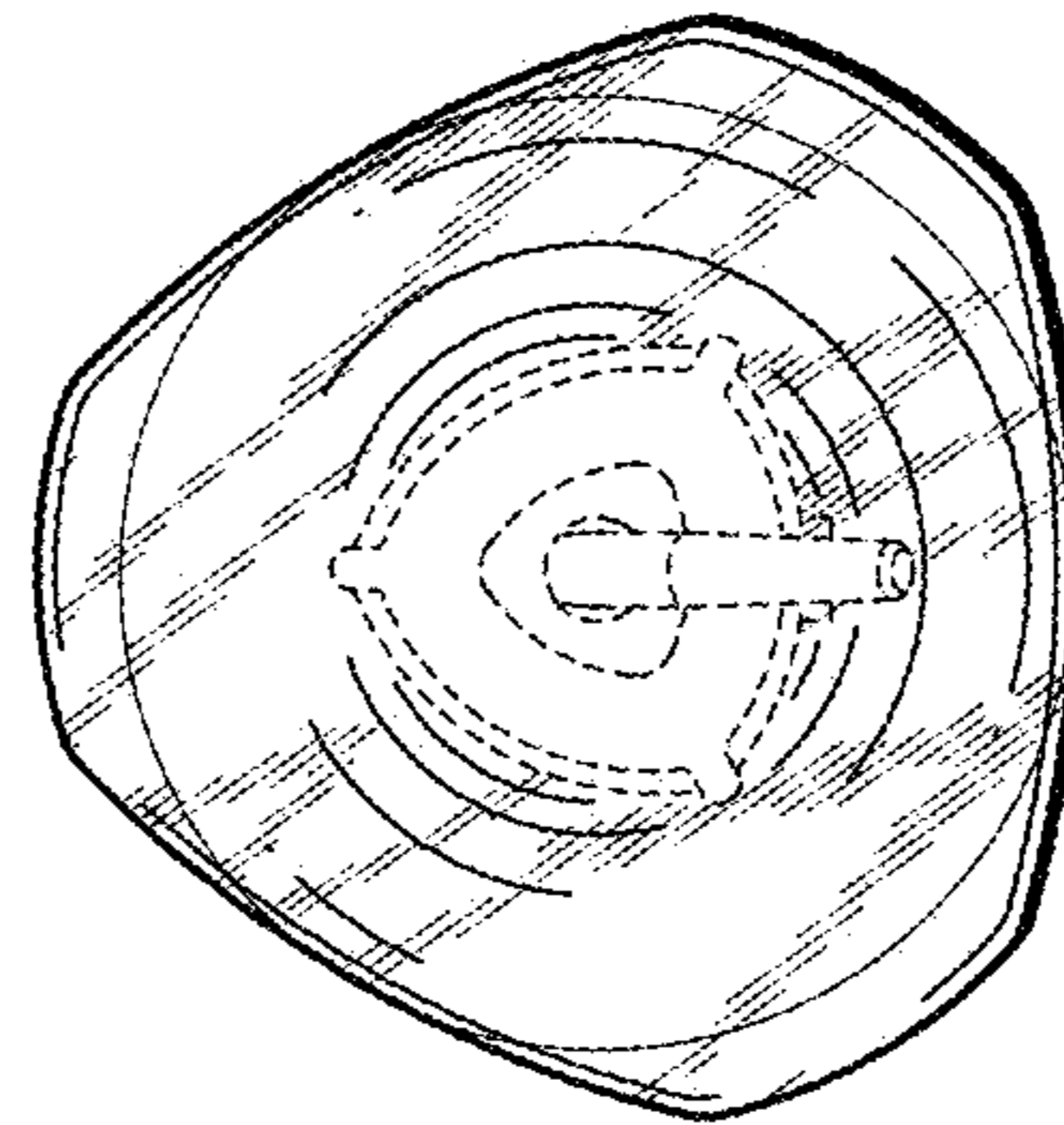


FIG. 13

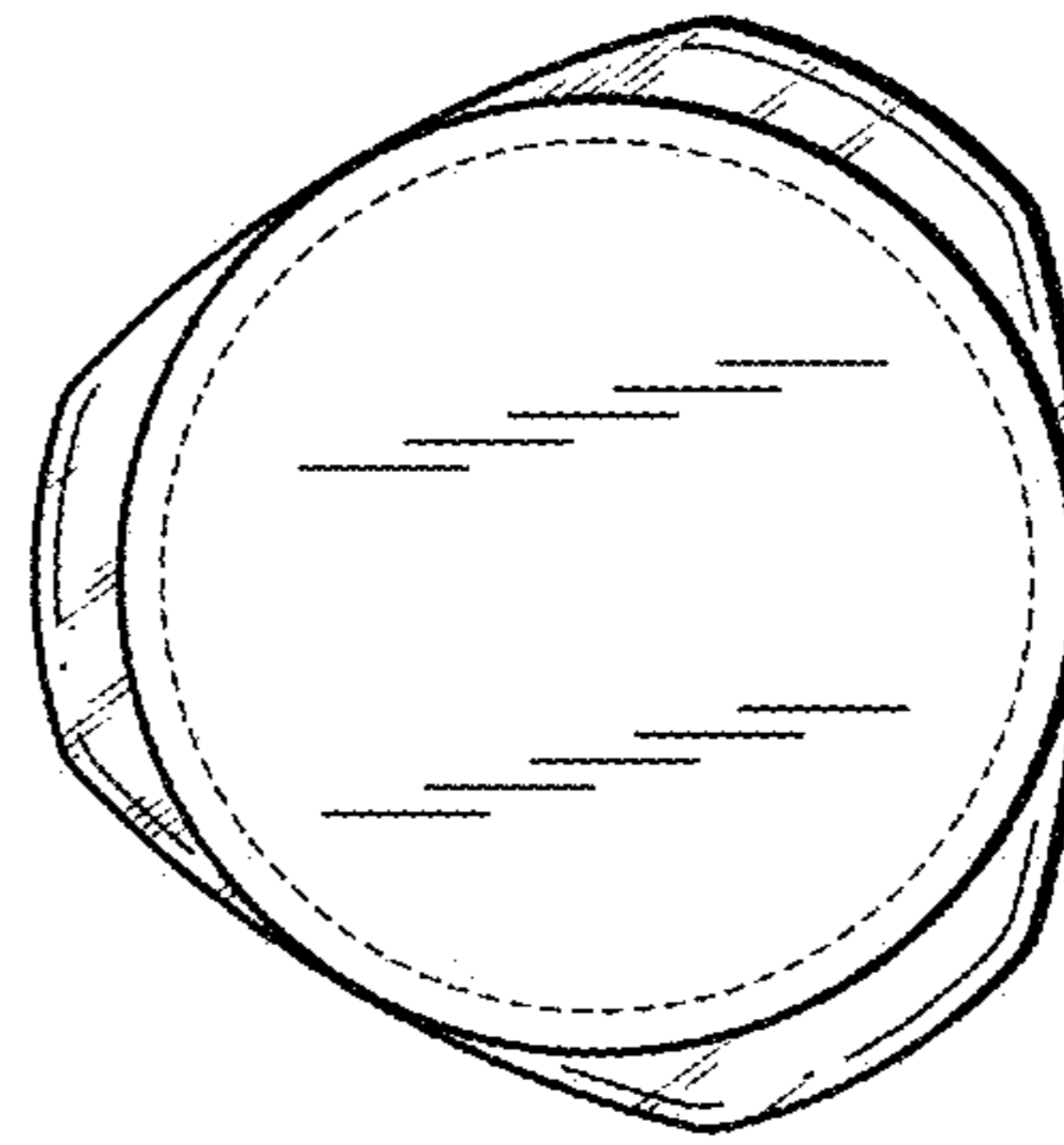


FIG. 14