



US00D761952S

(12) **United States Design Patent**
Nasir et al.

(10) **Patent No.:** **US D761,952 S**
(45) **Date of Patent:** **** Jul. 19, 2016**

(54) **AIRWAY DEVICE**
(75) Inventors: **Muhammed Aslam Nasir**, Bedfordshire
(GB); **Surinderjit Jassell**, Berkshire
(GB)
(73) Assignee: **DOCSINNOVENT LIMITED** (GB)

5,297,547 A 3/1994 Brain 128/207.15
5,303,697 A 4/1994 Brain 128/200.26
5,305,743 A 4/1994 Brain 128/207.15
5,322,062 A 6/1994 Servas 128/207.14
5,339,805 A 8/1994 Parker 128/200.26
5,355,879 A 10/1994 Brain 128/207.15
5,391,248 A 2/1995 Brain 156/242
5,477,851 A 12/1995 Callaghan et al. 128/207.15

(**) Term: **14 Years**

(Continued)

(21) Appl. No.: **29/428,284**

FOREIGN PATENT DOCUMENTS

(22) Filed: **Jul. 27, 2012**

AU B-52036/90 9/1990 A61M 16/04
AU B-45803/93 2/1994 A61M 16/04

(51) **LOC (10) Cl.** **29-02**

(Continued)

(52) **U.S. Cl.**
USPC **D24/110.5**

OTHER PUBLICATIONS

(58) **Field of Classification Search**
USPC D24/110, 110.5; 128/200.26, 207.14,
128/207.15; 600/120
CPC A61M 16/0488; A61M 16/0447;
A61M 2210/1028; A61M 2210/1032; A61M
16/04; A61M 16/0409; A61D 7/00
See application file for complete search history.

U.S. Appl. No. 13/130,555, filed May 20, 2011, Nasir.
(Continued)

Primary Examiner — Richelle G Shelton
(74) *Attorney, Agent, or Firm* — Hayes Soloway P.C.

(56) **References Cited**

(57) **CLAIM**
The ornamental design for an airway device, as shown and described.

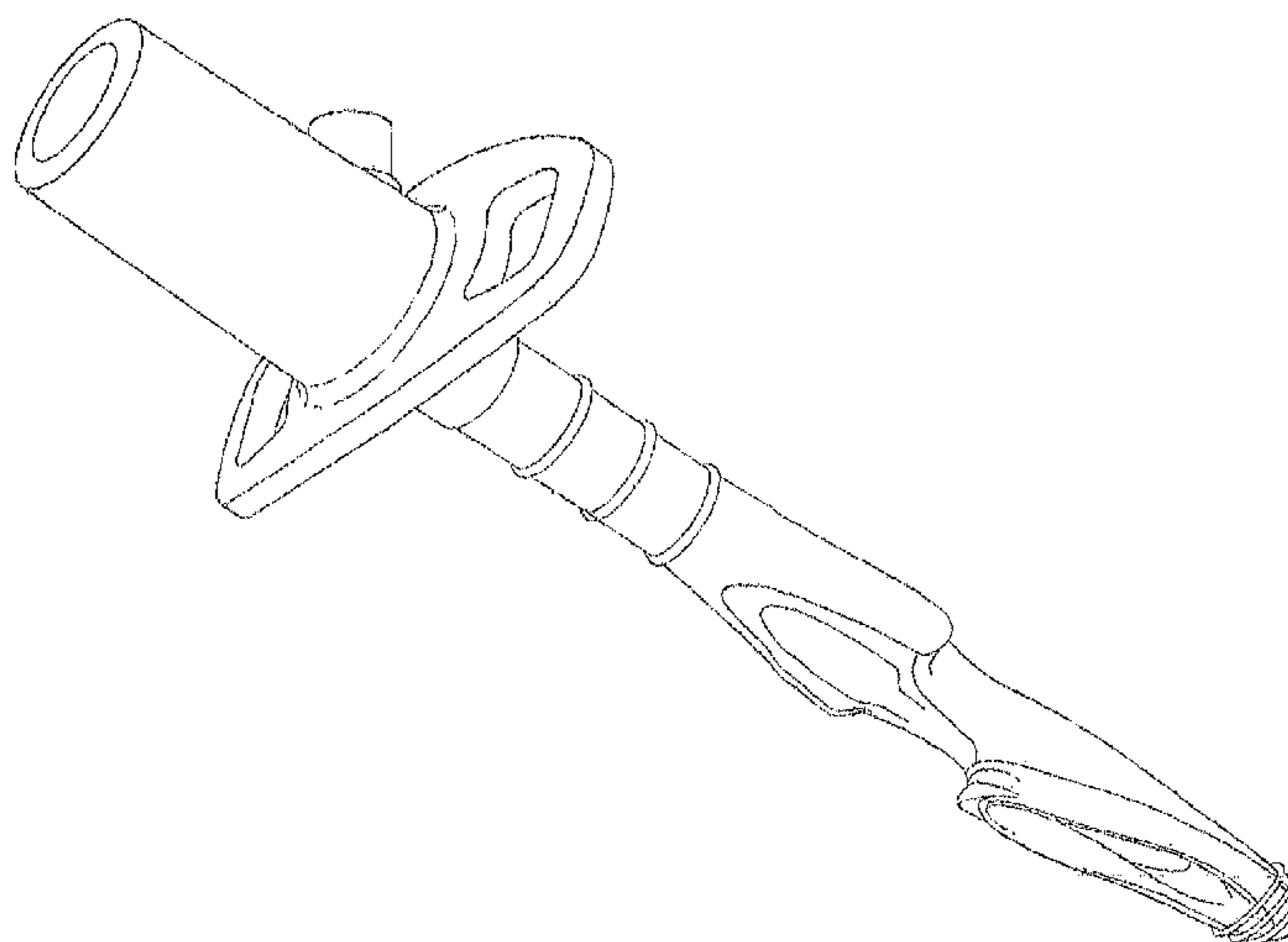
U.S. PATENT DOCUMENTS

DESCRIPTION

478,582 A 7/1892 Ermold 128/207.14
2,099,127 A 11/1937 Leech 128/207.15
3,616,799 A 11/1971 Sparks 128/351
3,734,100 A 5/1973 Walker et al. 128/351
3,968,800 A 7/1976 Vilasi 128/343
3,995,643 A 12/1976 Merav 128/351
4,509,514 A 4/1985 Brain 128/207.15
4,919,126 A 4/1990 Baildon 128/207.14
4,995,388 A 2/1991 Brain 128/207.15
5,054,483 A 10/1991 Marten et al. 128/207.14
5,174,283 A 12/1992 Parker 128/200.26
5,181,505 A 1/1993 Lew 128/200.26
5,241,956 A 9/1993 Brain 128/207.15
5,249,571 A 10/1993 Brain 128/207.14
5,259,371 A 11/1993 Tonrey 128/200.26
5,282,464 A 2/1994 Brain 128/207.15
5,285,778 A 2/1994 Mackin 128/207.15

FIG. 1 is a top view of an airway device, showing our new design;
FIG. 2 is a left side view thereof;
FIG. 3 is a bottom side view thereof;
FIG. 4 is a right side view thereof;
FIG. 5 is a rear view thereof;
FIG. 6 is a front view thereof;
FIG. 7 is a top perspective view thereof; and,
FIG. 8 is a bottom perspective view thereof.
The broken lines and all within illustrate portions of the airway device that form no part of the claimed design.

1 Claim, 2 Drawing Sheets



(56)

References Cited

OTHER PUBLICATIONS

Office Action issued in U.S. Appl. No. 29/512,931, dated Nov. 23, 2015 (20 pgs).

Office Action issued in U.S. Appl. No. 29/512,932, dated Nov. 19, 2015 (19 pgs).

Notice of Allowance issued in U.S. Appl. No. 13/805,956, dated Dec. 21, 2015 (26 pgs).

U.S. Appl. No. 10/983,199, filed Nov. 5, 2004.

U.S. Appl. No. 10/568,362, filed Feb. 14, 2006.

U.S. Appl. No. 12/627,844, filed Nov. 30, 2009.

U.S. Appl. No. 29/353,658, filed Jan. 12, 2010.

U.S. Appl. No. 12/680,731, filed Mar. 29, 2010.

U.S. Appl. No. 12/859,169, filed Aug. 18, 2010.

U.S. Appl. No. 13/130,555, filed May 20, 2011.

U.S. Appl. No. 29/402,009, filed Sep. 19, 2011.

U.S. Appl. No. 29/407,461, filed Nov. 29, 2011.

U.S. Appl. No. 13/403,806, filed Feb. 23, 2012.

U.S. Appl. No. 29/416,561, filed Mar. 23, 2012.

U.S. Appl. No. 13/805,956, filed Dec. 20, 2012.

U.S. Appl. No. 29/449,900, filed Mar. 15, 2013.

U.S. Appl. No. 29/475,489, filed Dec. 3, 2013.

U.S. Appl. No. 14/315,141, filed Jun. 25, 2014.

U.S. Appl. No. 14/315,149, filed Jun. 25, 2014.

U.S. Appl. No. 14/375,109, filed Jul. 28, 2014.

U.S. Appl. No. 29/512,931, filed Dec. 23, 2014.

U.S. Appl. No. 29/512,932, filed Dec. 23, 2014.

U.S. Appl. No. 12/627,844, filed Nov. 30, 2009, Nasir.

U.S. Appl. No. 13/805,956, filed Dec. 20, 2012, Nasir et al.

U.S. Appl. No. 29/475,489, filed Dec. 3, 2013, Miller et al.

U.S. Appl. No. 14/315,141, filed Jun. 25, 2014, Nasir.

U.S. Appl. No. 14/315,149, filed Jun. 25, 2014, Nasir.

U.S. Appl. No. 14/375,109, filed Jul. 28, 2014, Jassell et al.

U.S. Appl. No. 29/512,931, filed Dec. 23, 2014, Nasir et al.

U.S. Appl. No. 29/512,932, filed Dec. 23, 2014, Nasir et al.

Office Action issued in U.S. Appl. No. 12/627,844, dated Sep. 17, 2015 (26 pgs).

* cited by examiner

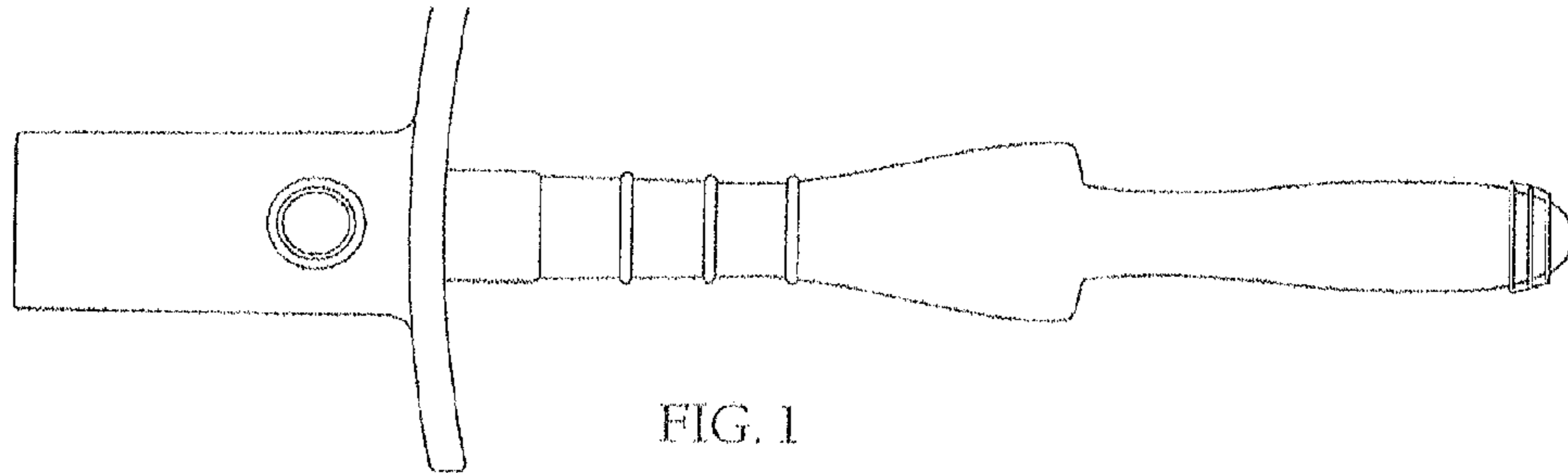


FIG. 1

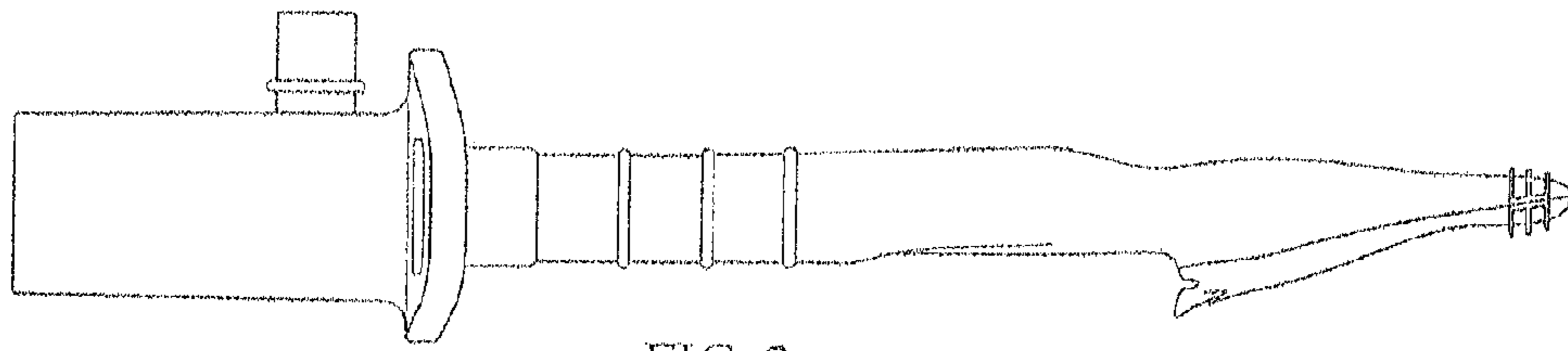


FIG. 2

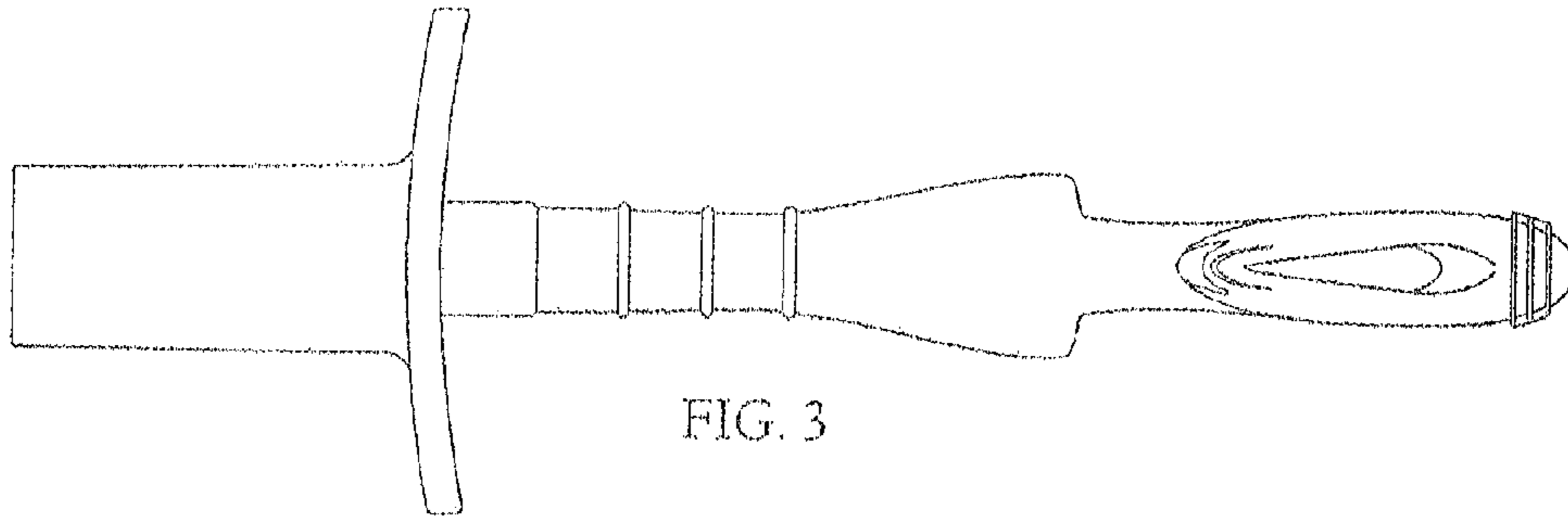


FIG. 3

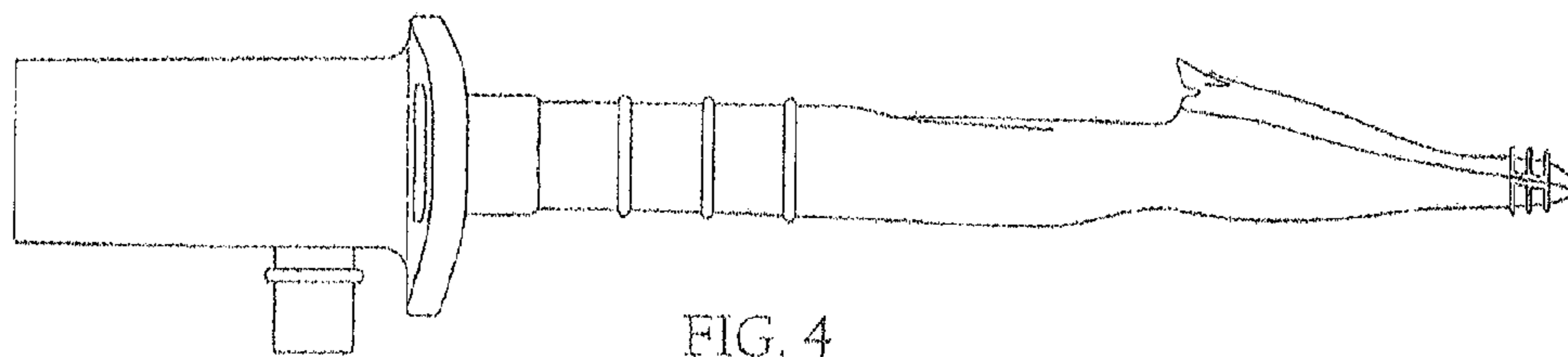


FIG. 4

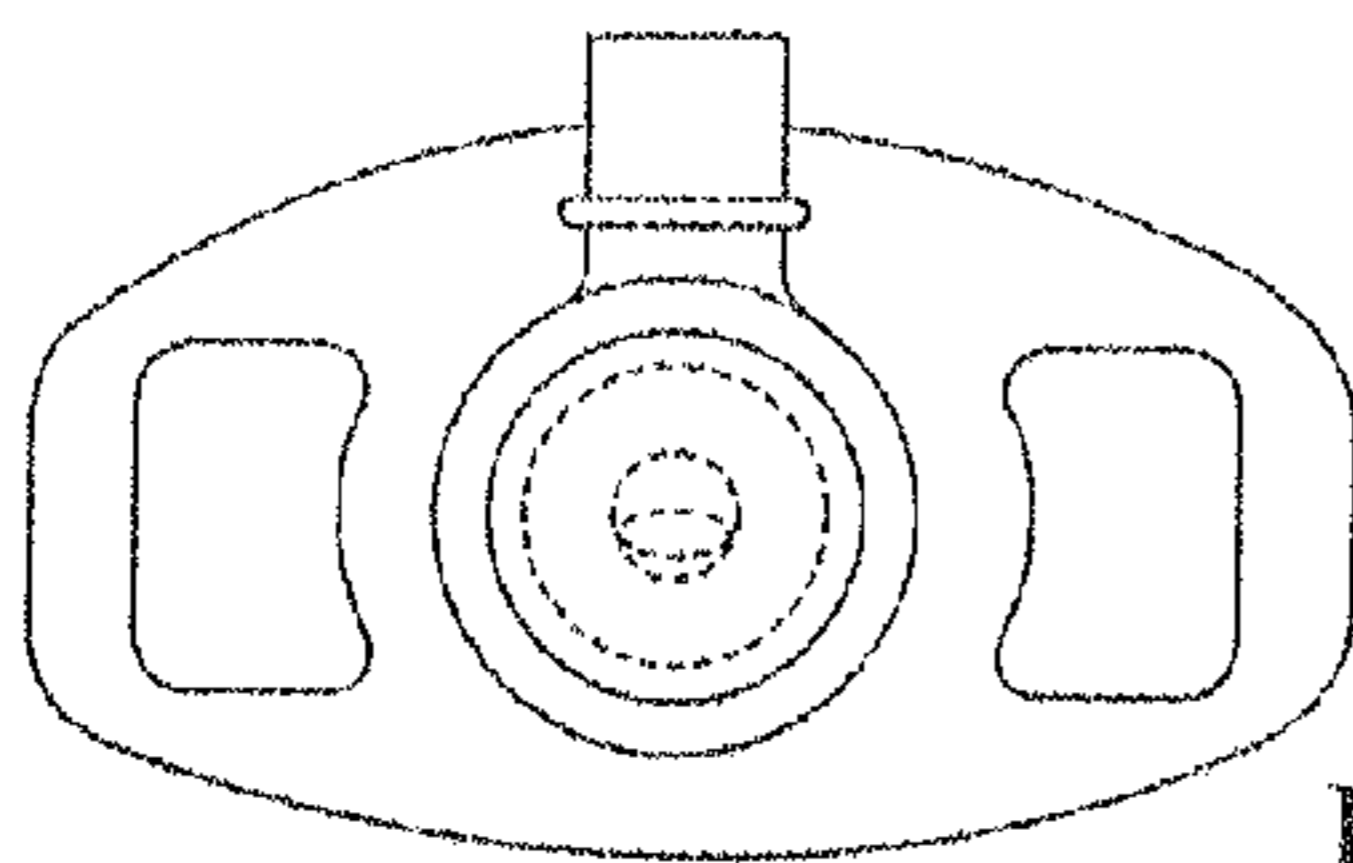


FIG. 5

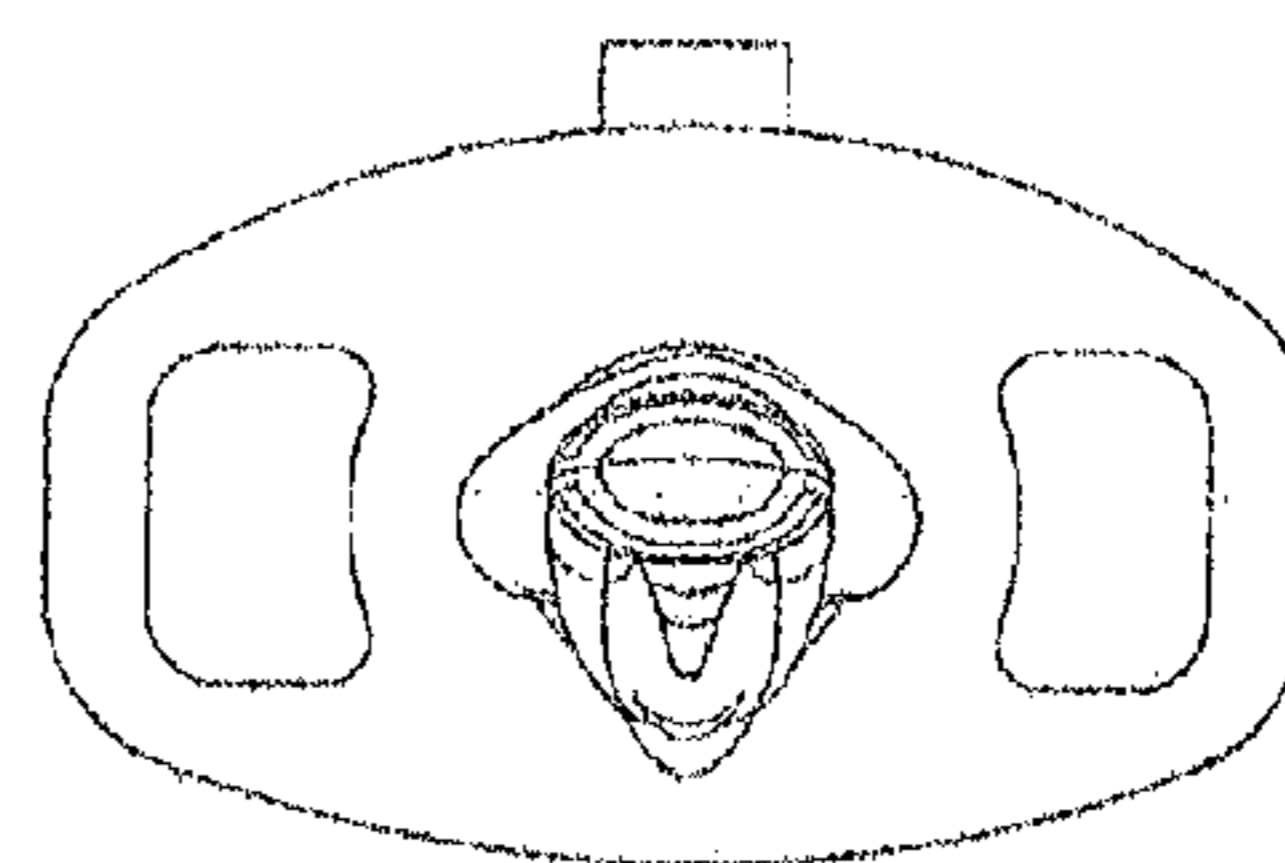


FIG. 6

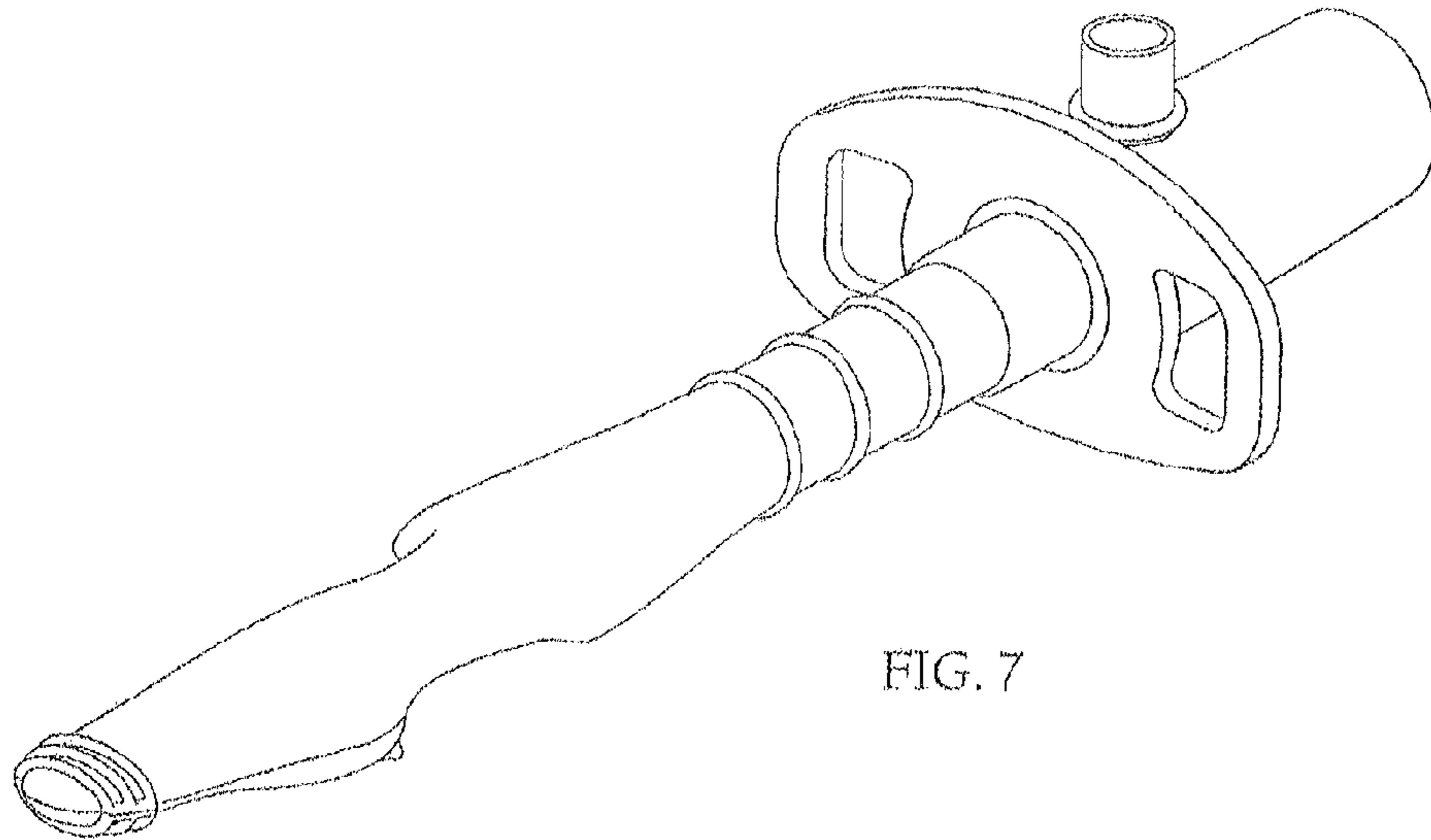


FIG. 7

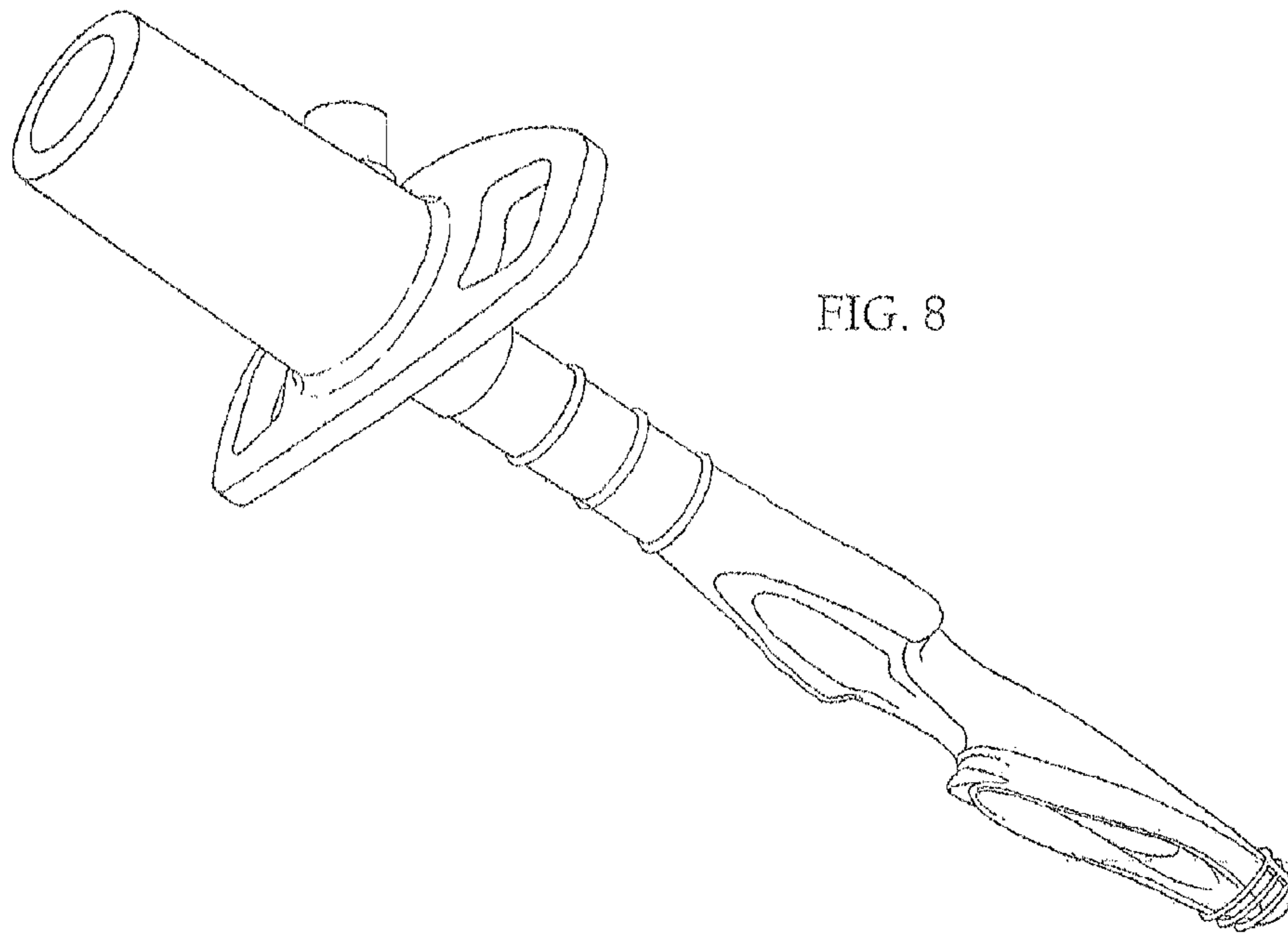


FIG. 8