



US00D761949S

(12) **United States Design Patent**
Badarello

(10) **Patent No.:** **US D761,949 S**
(45) **Date of Patent:** **** Jul. 19, 2016**

(54) **CEILING FAN**

(71) Applicant: **Hunter Fan Company**, Memphis, TN (US)

(72) Inventor: **Christophe Badarello**, Holly Springs, MS (US)

(73) Assignee: **HUNTER FAN COMPANY**, Memphis, TN (US)

(**) Term: **14 Years**

(21) Appl. No.: **29/514,397**

(22) Filed: **Jan. 12, 2015**

(51) **LOC (10) Cl.** **23-04**

(52) **U.S. Cl.**
USPC **D23/377**

(58) **Field of Classification Search**
USPC D23/377, 379, 385, 387, 411-414, 499;
416/1, 5, 170 R, 214 R, 184, 206, 207,
416/210 R, 220 R, 244 R, 248; 392/364;
D26/59, 51, 72, 73, 80-86, 88, 90
CPC ... F04D 25/088; F04D 29/601; F04D 29/322;
F04D 29/324; F04D 29/38
See application file for complete search history.

(56) **References Cited**

U.S. PATENT DOCUMENTS

D268,521 S * 4/1983 Clemente 416/169 A
4,518,314 A 5/1985 Schultz
D333,867 S 3/1993 Markwardt
D349,336 S 8/1994 Tsuji
5,575,624 A * 11/1996 Bogage F04D 29/384
416/235
D376,845 S 12/1996 Chen
5,658,129 A * 8/1997 Pearce F04D 29/38
416/146 R
D433,114 S * 10/2000 Liu D23/377
D438,950 S 3/2001 Frampton
D490,510 S * 5/2004 Cohen D23/379
6,733,241 B2 5/2004 Bird

D503,489 S * 3/2005 Yurich D26/85
6,884,034 B1 * 4/2005 Parker F04D 25/088
416/1
D509,295 S 9/2005 Stauffer et al.
6,991,431 B2 1/2006 Ching Wen
D515,695 S * 2/2006 Badarello D23/413
7,036,949 B2 * 5/2006 Srass F04D 25/088
362/234
D535,388 S * 1/2007 Gajewski D23/413

(Continued)

FOREIGN PATENT DOCUMENTS

CN 203257739 U 10/2013
TW 335103 6/1998

OTHER PUBLICATIONS

<http://www.quoruminternational.com/index.cfm/app/productDetail?product=98604-65>, Item Specification for Satin Nickel Ceiling Fan 98604-65, accessed Feb. 25, 2015.

(Continued)

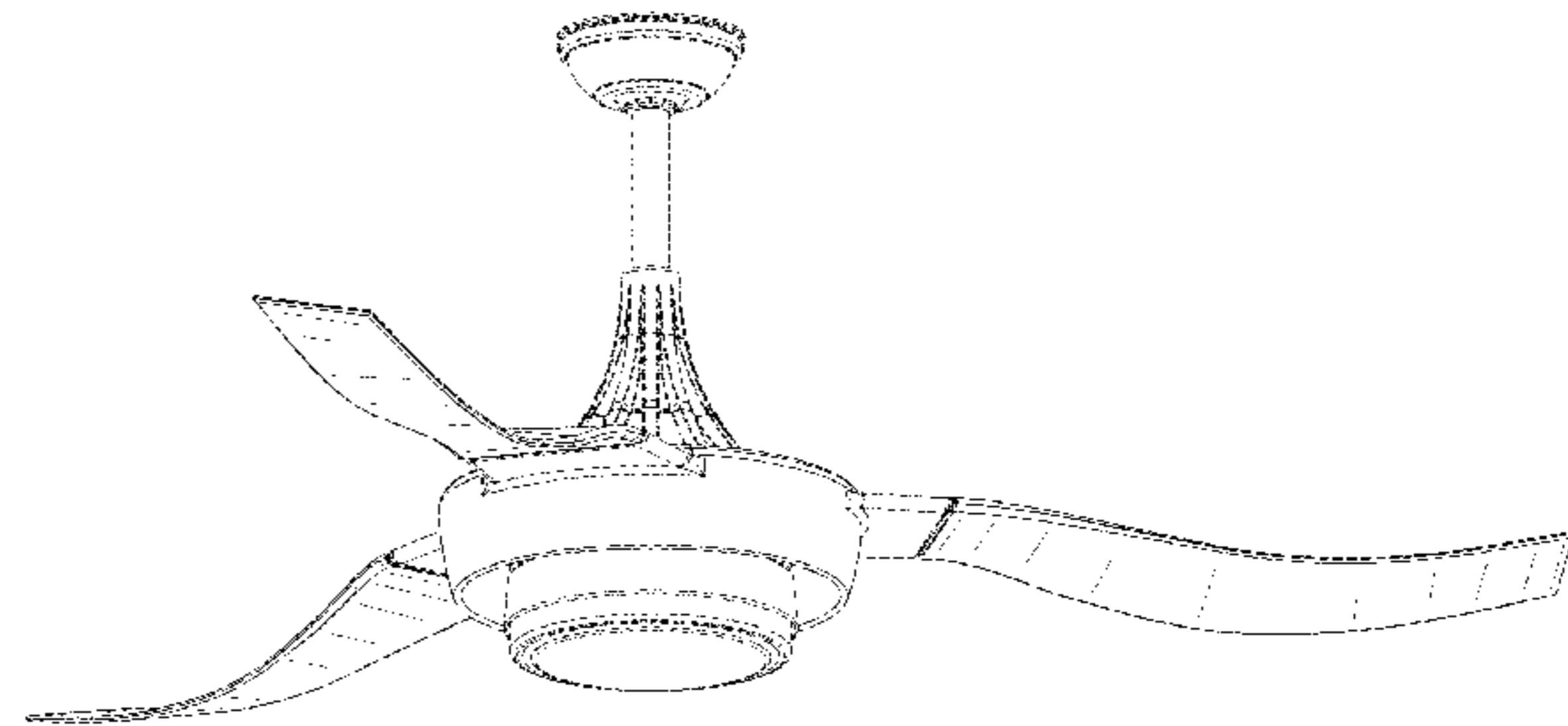
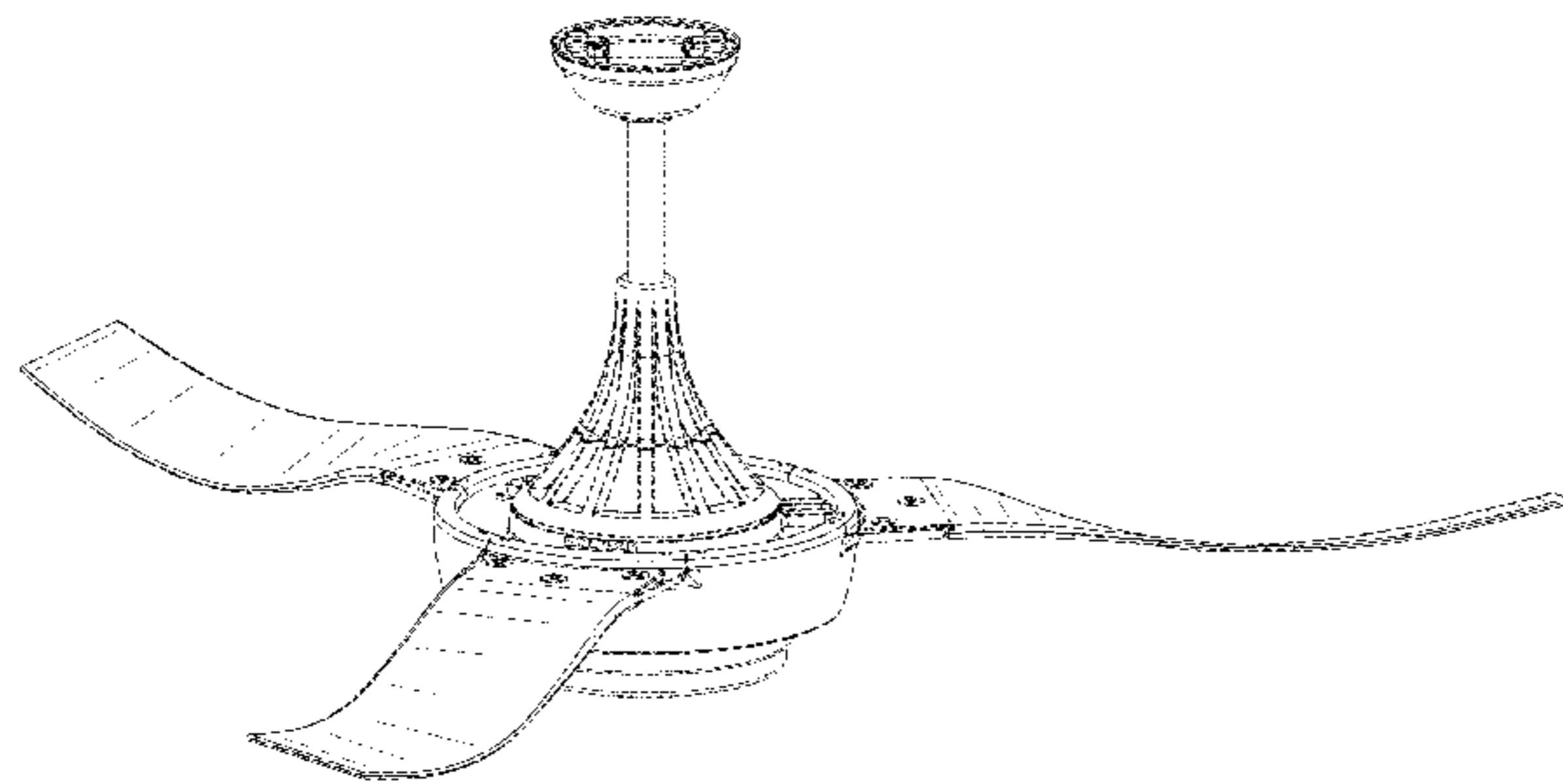
Primary Examiner — Susan Bennett Hattan
Assistant Examiner — Marie Fast Horse
(74) *Attorney, Agent, or Firm* — McGarry Bair PC

(57) **CLAIM**
Applicant claims the ornamental design for a ceiling fan, as shown and described.

DESCRIPTION

FIG. 1 is a perspective view of a ceiling fan showing my new design;
FIG. 2 is an additional perspective view thereof;
FIG. 3 is a side elevation view thereof;
FIG. 4 is an alternative side view thereof;
FIG. 5 is a top view thereof; and,
FIG. 6 is a bottom view thereof.
The broken lines in the drawings depict parts of the ceiling fan that form no part of the claimed design.

1 Claim, 6 Drawing Sheets



(56)

References Cited

U.S. PATENT DOCUMENTS

D536,083 S * 1/2007 Gajewski D23/377
 D543,617 S 5/2007 Liu
 D547,483 S 7/2007 Pickett
 7,273,349 B2 9/2007 Cartwright
 D571,455 S 6/2008 Hort et al.
 7,413,410 B2 * 8/2008 Shahin F04D 29/384
 416/238
 D586,901 S 2/2009 Hidalgo
 D598,997 S 8/2009 Klausung et al.
 D603,955 S 11/2009 Patton
 D608,935 S * 1/2010 Pedersen D26/85
 D625,403 S * 10/2010 Liu D23/377
 D627,050 S 11/2010 Pan
 D627,053 S 11/2010 Pan
 D627,874 S 11/2010 Pan
 D630,312 S * 1/2011 Spaulding D23/377
 D630,724 S 1/2011 Liu
 D631,955 S * 2/2011 Vilella D23/411
 D632,381 S 2/2011 Davenport et al.
 D632,384 S 2/2011 Pan
 D632,780 S 2/2011 Pan
 D663,829 S * 7/2012 Allen D23/377
 D671,203 S * 11/2012 Wang D23/377
 D671,633 S 11/2012 Glasbrenner
 D675,720 S * 2/2013 Martin Conillas D23/370
 D679,794 S * 4/2013 Allen D23/377
 D704,819 S 5/2014 Wang
 D705,921 S 5/2014 Wang
 D705,970 S 5/2014 Ertze
 D706,407 S 6/2014 Wang
 D706,411 S 6/2014 Wang
 D706,970 S 6/2014 Wang
 D707,808 S 6/2014 Wang
 D710,490 S 8/2014 Shurtleff
 8,807,938 B2 * 8/2014 Vilella F04D 25/088
 416/140
 D716,438 S 10/2014 Liu
 D741,989 S * 10/2015 Wang D23/413
 D744,629 S * 12/2015 Wang D23/377
 2007/0104583 A1 * 5/2007 Gajewski F04D 25/088
 416/210 R
 2010/0098545 A1 * 4/2010 Liu F03D 3/062
 416/204 R
 2011/0280711 A1 * 11/2011 Liu F04D 29/36
 415/140
 2012/0195767 A1 8/2012 Gervais et al.

OTHER PUBLICATIONS

http://www.fanimation.com/products/big_island/?group_id=946,
 Item Specification for The Big Island Ceiling Fan, accessed Feb. 25,
 2015.
[http://www.kichler.com/products/product/52-inch-maiden-fan-obb-
 300149obb.aspx](http://www.kichler.com/products/product/52-inch-maiden-fan-obb-300149obb.aspx), Item Specification for 52 Inch Maiden Fan
 3001490BB, accessed Feb. 25, 2015.
[http://www.montecarlofans.com/44076/56in-Lily---Brushed-Steel-
 5LLR56BSD.html](http://www.montecarlofans.com/44076/56in-Lily---Brushed-Steel-5LLR56BSD.html), Item Specification for Lily Ceiling Fan
 5LLR56B SD, accessed Feb. 25, 2015.
[http://www.homedepot.com/p/Home-Decorators-Collection-Cas-
 saro-II-52-in-Brushed-Nickel-Ceiling-Fan-AM113-BN/
 204739437?keyword=cassaro+II](http://www.homedepot.com/p/Home-Decorators-Collection-Cassaro-II-52-in-Brushed-Nickel-Ceiling-Fan-AM113-BN/204739437?keyword=cassaro+II), Item Specification for Cassaro II
 52 in. Brushed Nickel Ceiling Fan, accessed Feb. 25, 2015.
<http://www.homedepot.com/s/vento%2520fiore?NCNI=5>, Web Page
 Results for Vento Fiore Ceiling Fans, accessed Feb. 25, 2015.
[http://www.craftmade.com/Craftmade-SI56BA5-Brushed-Alumi-
 num-Ceiling-Fan.HTM](http://www.craftmade.com/Craftmade-SI56BA5-Brushed-Aluminum-Ceiling-Fan.HTM), Item Specification for Silo 56" Ceiling Fan
 SI56BA5, accessed Feb. 25, 2015.
[http://www.quoruminternational.com/index.cfm/app/
 productDetail?product=54543-65](http://www.quoruminternational.com/index.cfm/app/productDetail?product=54543-65), Item Specification for Satin
 Nickel Ceiling Fan 54543-65, accessed Feb. 25, 2015.
[http://www.quoruminternational.com/index.cfm/app/
 productDetail?product=58524-65](http://www.quoruminternational.com/index.cfm/app/productDetail?product=58524-65), Item Specification for Satin
 Nickel Ceiling Fan 58524-65, accessed Feb. 25, 2015.

[http://www.craftmade.com/Craftmade-STU54PLN3-Polished-
 Nickel-Ceiling-Fan.HTM](http://www.craftmade.com/Craftmade-STU54PLN3-Polished-Nickel-Ceiling-Fan.HTM), Item Specification for Studio 54" Ceiling
 Fan STU54PLN3, accessed Feb. 25, 2015.
[http://www.craftmade.com/Craftmade-MN44SS4-Stainless-Steel-
 Ceiling-Fan.HTM](http://www.craftmade.com/Craftmade-MN44SS4-Stainless-Steel-Ceiling-Fan.HTM), Item Specification for Montreal 44" Ceiling Fan
 MN44SS4, accessed Feb. 25, 2015.
[http://www.craftmade.com/Craftmade-PU52OB5-Oiled-Bronze-
 Ceiling-Fan.HTM](http://www.craftmade.com/Craftmade-PU52OB5-Oiled-Bronze-Ceiling-Fan.HTM), Item Specification for Pulsar 52" Ceiling Fan,
 PU52OB5, accessed Feb. 25, 2015.
[http://www.craftmade.com/Craftmade-MND54BNK3Nickel-Ceil-
 ing-Fan.HTM](http://www.craftmade.com/Craftmade-MND54BNK3Nickel-Ceiling-Fan.HTM), Item Specification for Mondo 54" Ceiling Fan
 MND54BNK3, accessed Feb. 25, 2015.
[http://www.craftmade.com/Craftmade-HE52SS5-Stainless-Steel-
 Ceiling-Fan.HTM](http://www.craftmade.com/Craftmade-HE52SS5-Stainless-Steel-Ceiling-Fan.HTM), Item Specification for Helios 52" Ceiling Fan
 HE52SS5, accessed Feb. 25, 2015.
[http://www.craftmade.com/Craftmade-K11067-Chrome-Ceiling-
 Fan.HTM](http://www.craftmade.com/Craftmade-K11067-Chrome-Ceiling-Fan.HTM), Item Specification for Sonnet Ceiling Fan K11067,
 accessed Feb. 25, 2015.
[http://www.emersonfans.com/en-US/Products/Transitional/Pages/
 CF995BS.aspx](http://www.emersonfans.com/en-US/Products/Transitional/Pages/CF995BS.aspx), Item Specification for Laclede Eco Ceiling Fan
 CF995BS, accessed Feb. 25, 2015.
[http://www.emersonfans.com/en-US/Products/Transitional/Pages/
 CF880BS.aspx](http://www.emersonfans.com/en-US/Products/Transitional/Pages/CF880BS.aspx), Item Specification for Amhurst Ceiling Fan
 CF880BS, accessed Feb. 25, 2015.
[http://www.emersonfans.com/en-US/Products/Contemporary/
 Pages/CF4900BS.aspx](http://www.emersonfans.com/en-US/Products/Contemporary/Pages/CF4900BS.aspx), Item Specification for Southtowne Ceiling
 Fan CF4900BS, accessed Feb. 25, 2015.
[http://www.emersonfans.com/en-US/Products/Contemporary/
 Pages/CF430ORB.aspx](http://www.emersonfans.com/en-US/Products/Contemporary/Pages/CF430ORB.aspx), Item Specification for Highrise Ceiling Fan
 CF430ORB, accessed Feb. 25, 2015.
[http://www.emersonfans.com/en-US/Products/Contemporary/
 Pages/CF955BS.aspx](http://www.emersonfans.com/en-US/Products/Contemporary/Pages/CF955BS.aspx), Item Specification for Midway Eco Ceiling
 Fan CF955BS, accessed Feb. 25, 2015.
[http://www.emersonfans.com/en-US/Products/Contemporary/
 Pages/CF550DMBS.aspx](http://www.emersonfans.com/en-US/Products/Contemporary/Pages/CF550DMBS.aspx), Item Specification for Luxe Eco Ceiling
 Fan CF550DMBS, accessed Feb. 25, 2015.
[http://www.emersonfans.com/en-US/Products/Contemporary/
 Pages/CF205BS.aspx](http://www.emersonfans.com/en-US/Products/Contemporary/Pages/CF205BS.aspx), Item Specification for Highpointe Ceiling Fan
 CF205BS, accessed Feb. 26, 2015.
[http://www.emersonfans.com/en-US/Products/Contemporary/
 Pages/CF765BS.aspx](http://www.emersonfans.com/en-US/Products/Contemporary/Pages/CF765BS.aspx), Item Specification for Loft Ceiling Fan
 CF765BS, accessed Feb. 26, 2015.
<http://www.fanimation.com/products/multimax/>, Item Specification
 for The Multimax One Versatile Fan FP8008BN, accessed Feb. 26,
 2015.
<http://www.fanimation.com/products/zonix/>, Item Specification for
 The Zonix Modern Sophistication Fan FP4620BL, accessed Feb. 26,
 2015.
[http://www.kichler.com/products/product/52-inch-vassar-fan-ni-
 300175ni.aspx](http://www.kichler.com/products/product/52-inch-vassar-fan-ni-300175ni.aspx), Item Specification for Vassar Collection 52 Inch Vas-
 sar Fan NI 300175NI, accessed Feb. 26, 2015.
[http://www.kichler.com/products/product/arkwright-fan-ap-
 300146ap.aspx](http://www.kichler.com/products/product/arkwright-fan-ap-300146ap.aspx), Item Specification for Arkwright Collection
 Arkwright Fan AP 300146AP, accessed Feb. 26, 2015.
[http://www.kichler.com/products/product/42-inch-innes-ii-fan-ni-
 300130ni.aspx](http://www.kichler.com/products/product/42-inch-innes-ii-fan-ni-300130ni.aspx), Item Specification for Innes II 42" Collection 42 Inch
 Inness II Fan NI 300130NI, accessed Feb. 26, 2015.
[http://www.kichler.com/products/product/52-inch-ridley-fan-obb-
 300145obb.aspx](http://www.kichler.com/products/product/52-inch-ridley-fan-obb-300145obb.aspx), Item Specification for 52 Inch Ridley Fan OBB
 300145OBB, accessed Feb. 26, 2015.
<http://www.minkagroup.net/minka-aire/fans>, Item Specification for
 Aluma 52" Ceiling Fan F521-ORB, accessed Feb. 26, 2015.
<http://www.minkagroup.net/all-collections?keys=roto>, Item Specifi-
 cation for Roto 52" Ceiling Fan F524-ORB, accessed Feb. 26, 2015.
<http://www.minkagroup.net/all-collections?keys=flyte>, Item Specifi-
 cation for Flyte 56" Ceiling Fan F531-L-BN, accessed Feb. 26,
 2015.
<http://www.minkagroup.net/all-collections?keys=artemis>, Item
 Specification for Artemis 58" Ceiling Fan F803-TL, accessed Feb.
 26, 2015.
<http://www.modernfan.com/products/halo.html>, Halo Ceiling Fan,
 accessed Feb. 26, 2015.

(56)

References Cited

OTHER PUBLICATIONS

<http://www.modernfan.com/products/lapa.html>, Lapa Ceiling Fan, accessed Feb. 26, 2015.

<http://www.modernfan.com/products/flute.html>, Flute Ceiling Fan, accessed Feb. 26, 2015.

<http://www.montecarlofans.com/38129/52-Vision---Oil-Rubbed-Bronze-3VNR52OZD.html>, Item Specification for Vision Ceiling Fan 3VNR52OZD, accessed Feb. 26, 2015.

<http://www.quoruminternational.com/index.cfm/app/productDetail?product=20543-965>, Item Specification for Satin Nickel Ceiling Fan 20543-965, accessed Feb. 26, 2015.

* cited by examiner

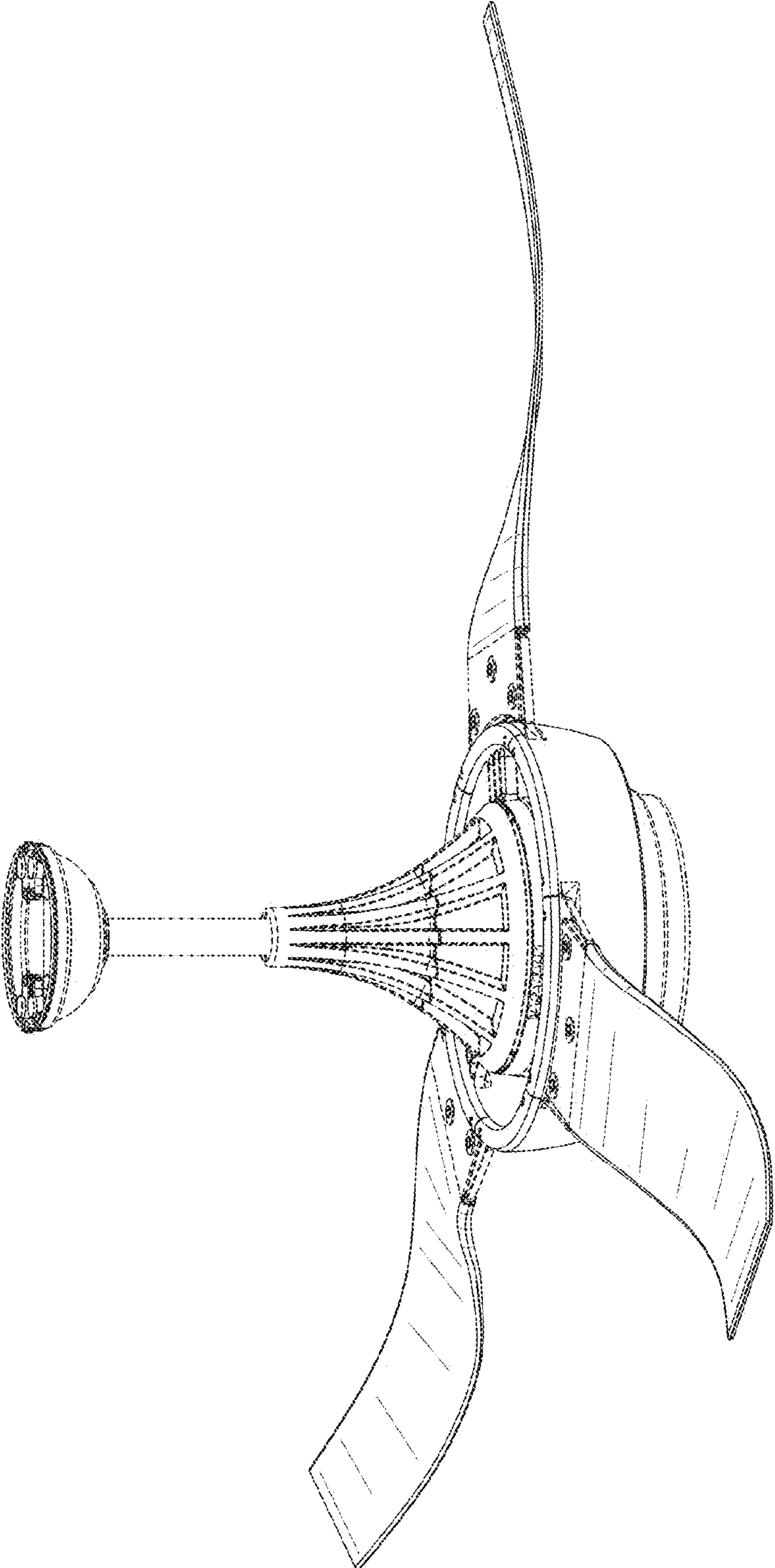


FIG. 1

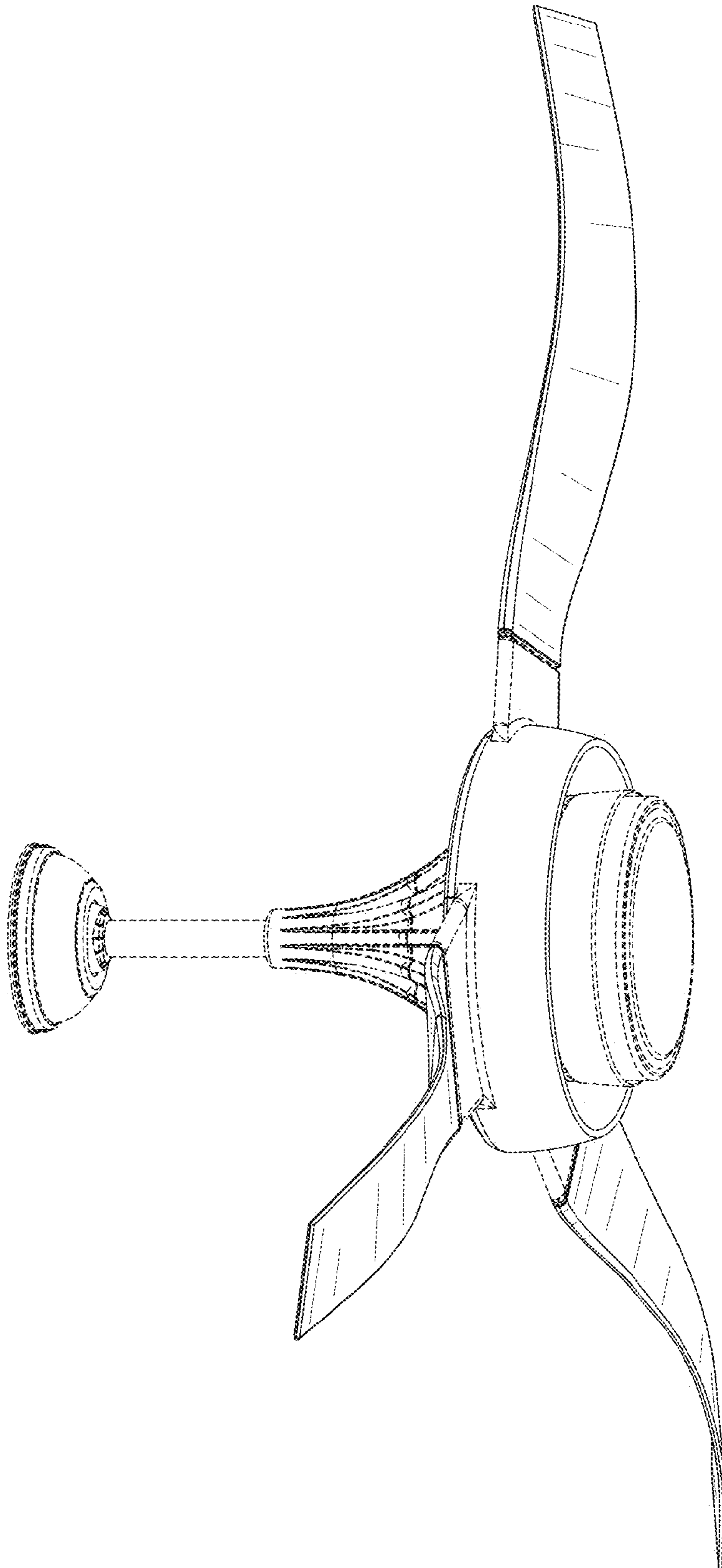


FIG. 2

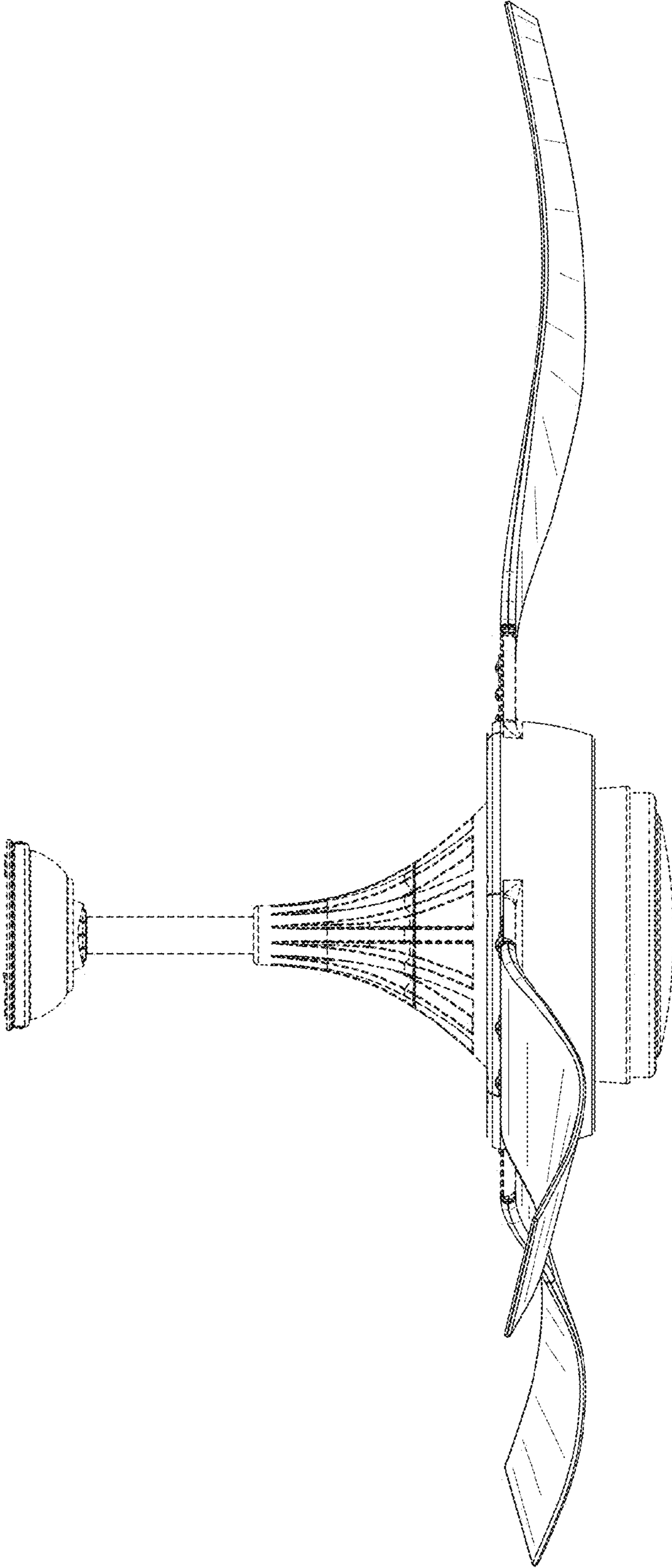


FIG. 3

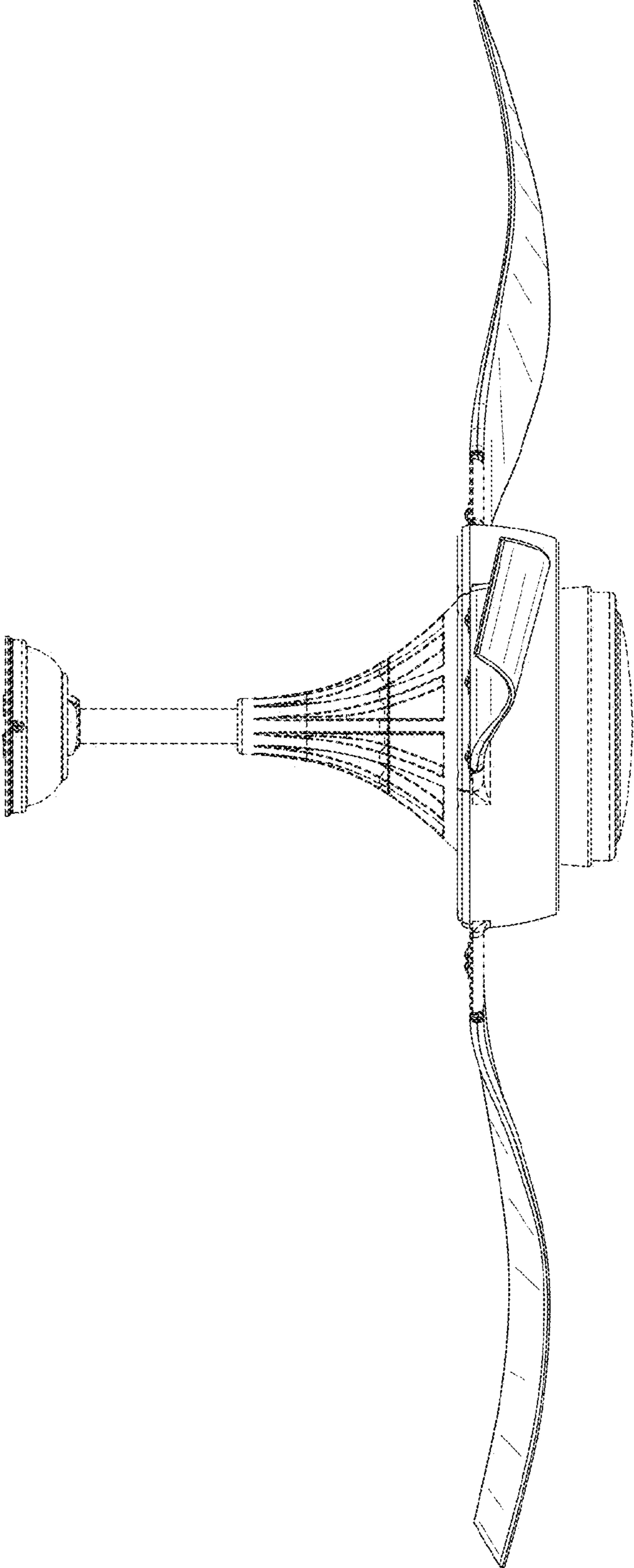


FIG. 4

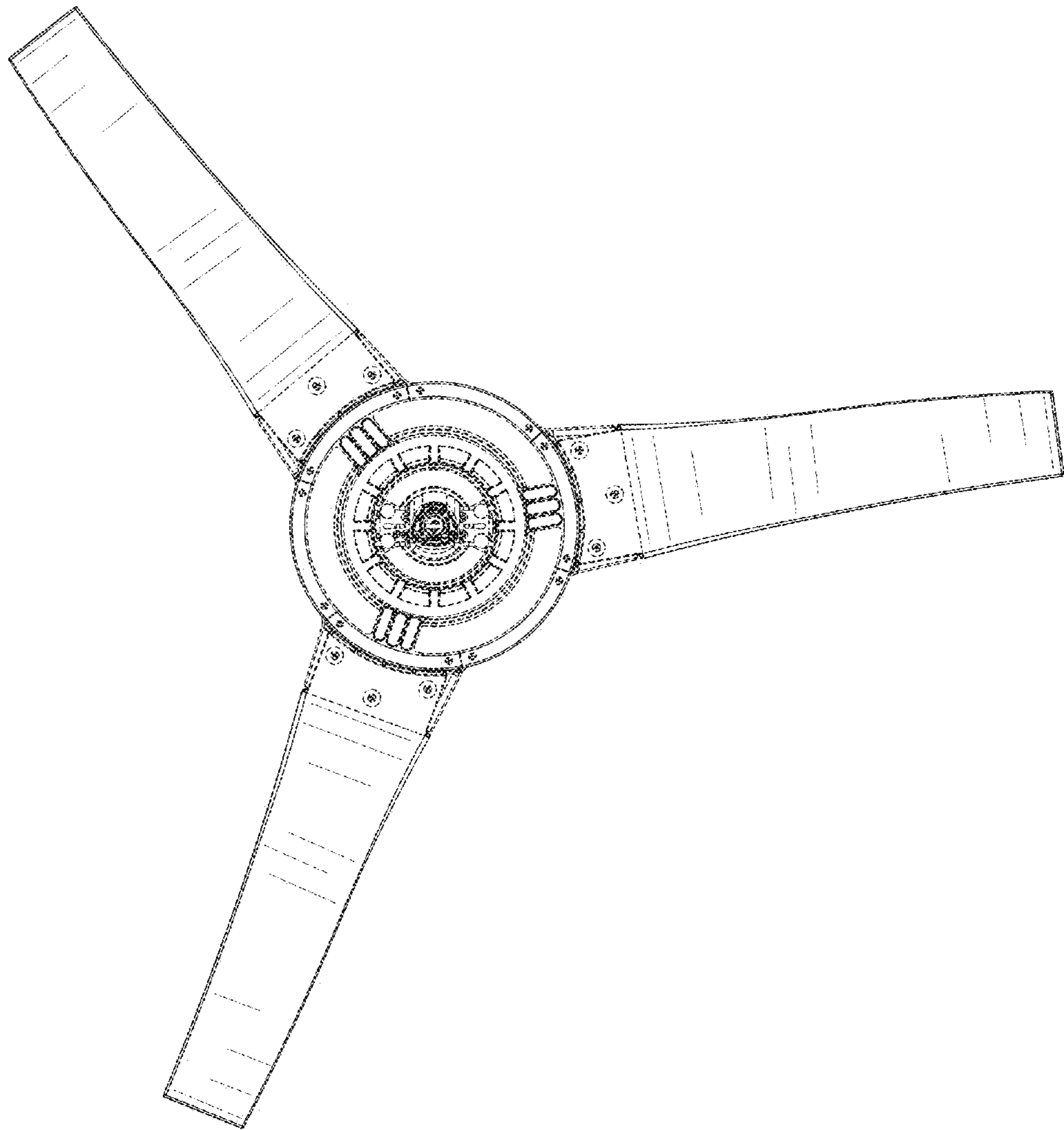


FIG. 5

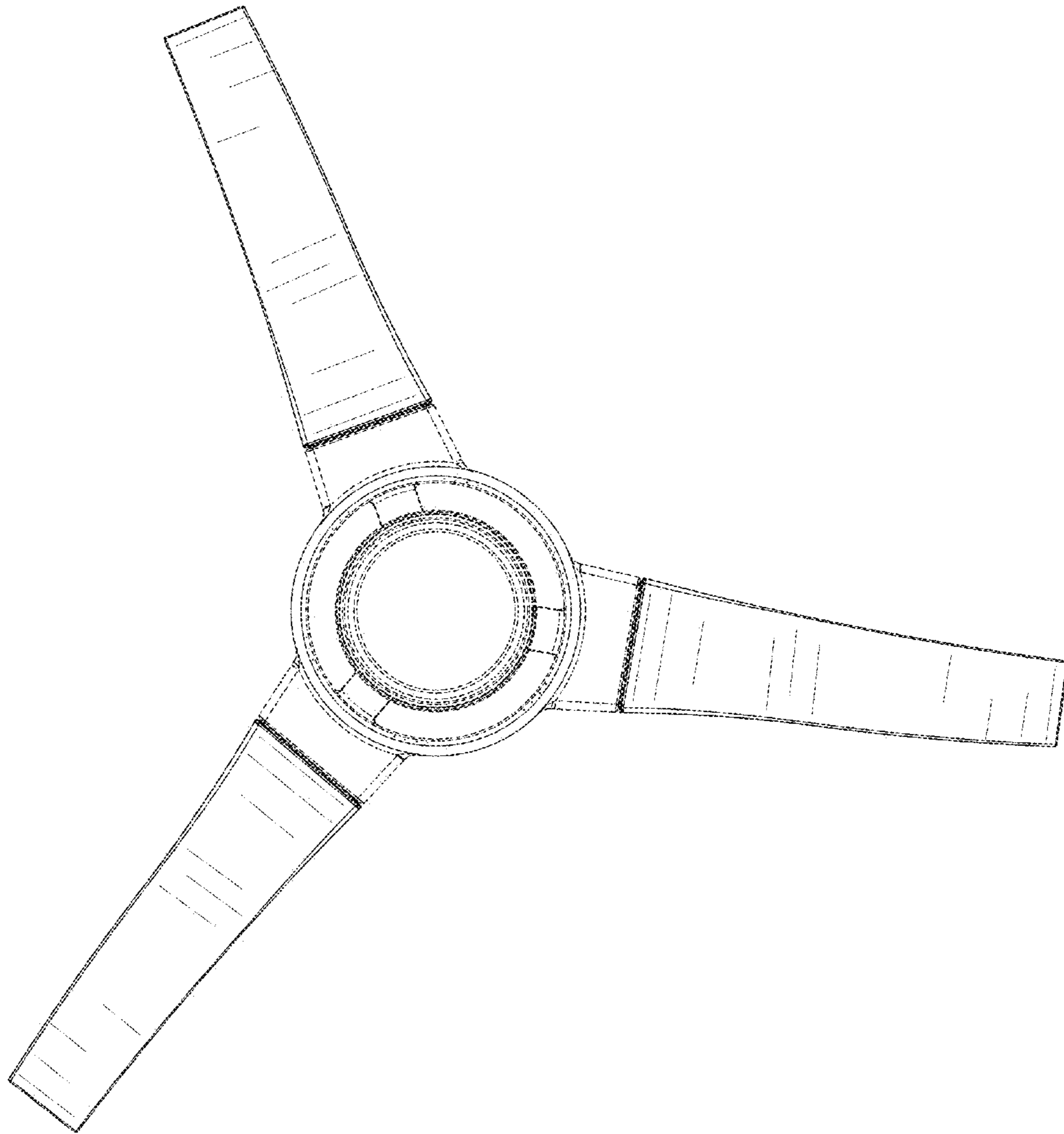


FIG. 6