



US00D761947S

(12) **United States Design Patent**  
**Paratico**

(10) **Patent No.:** **US D761,947 S**  
(45) **Date of Patent:** **\*\* Jul. 19, 2016**

(54) **AIR FRESHENER**

(71) Applicant: **FLOW METER S.P.A.**, Levate  
(Bergamo) (IT)

(72) Inventor: **Roberto Paratico**, Levate (IT)

(73) Assignee: **Flow Meter S.p.A.**, Levate Bergamo  
(IT)

(\*\*) Term: **14 Years**

(21) Appl. No.: **29/476,789**

(22) Filed: **Dec. 17, 2013**

(51) **LOC (10) Cl.** ..... **28-99**

(52) **U.S. Cl.**  
USPC ..... **D23/366**

(58) **Field of Classification Search**  
USPC ..... D23/355-369; D28/5, 6; 261/DIG. 17,  
261/DIG. 42, DIG. 65, DIG. 88, DIG. 89;  
392/386, 390, 394, 395, 397; 239/34,  
239/44, 53, 55, 56, 326; D26/9, 10;  
D11/131.1  
CPC ..... A61L 00/00

See application file for complete search history.

(56) **References Cited**

U.S. PATENT DOCUMENTS

D327,423 S \* 6/1992 Turner-Adams ..... D9/655  
D504,842 S \* 5/2005 Umeda et al. .... D11/131.1  
D680,638 S \* 4/2013 Chou ..... D23/366

\* cited by examiner

*Primary Examiner* — Sandra Snapp

(74) *Attorney, Agent, or Firm* — Hickman Palermo Becker  
Bingham LLP

(57) **CLAIM**

The ornamental design for an air freshener, as shown and  
described.

**DESCRIPTION**

FIG. 1 is a top perspective view of an air freshener in accordance with the present design;  
FIG. 2 is a bottom plan view of the design;  
FIG. 3 is a first side elevation view of the design;  
FIG. 4 is a second side elevation view of the design;  
FIG. 5 is a third side elevation view of the design;  
FIG. 6 is a fourth side elevation view of the design; and,  
FIG. 7 is a top plan view of the design.  
The broken lines in the drawing figures indicate features that form no part of the claimed design.

**1 Claim, 7 Drawing Sheets**

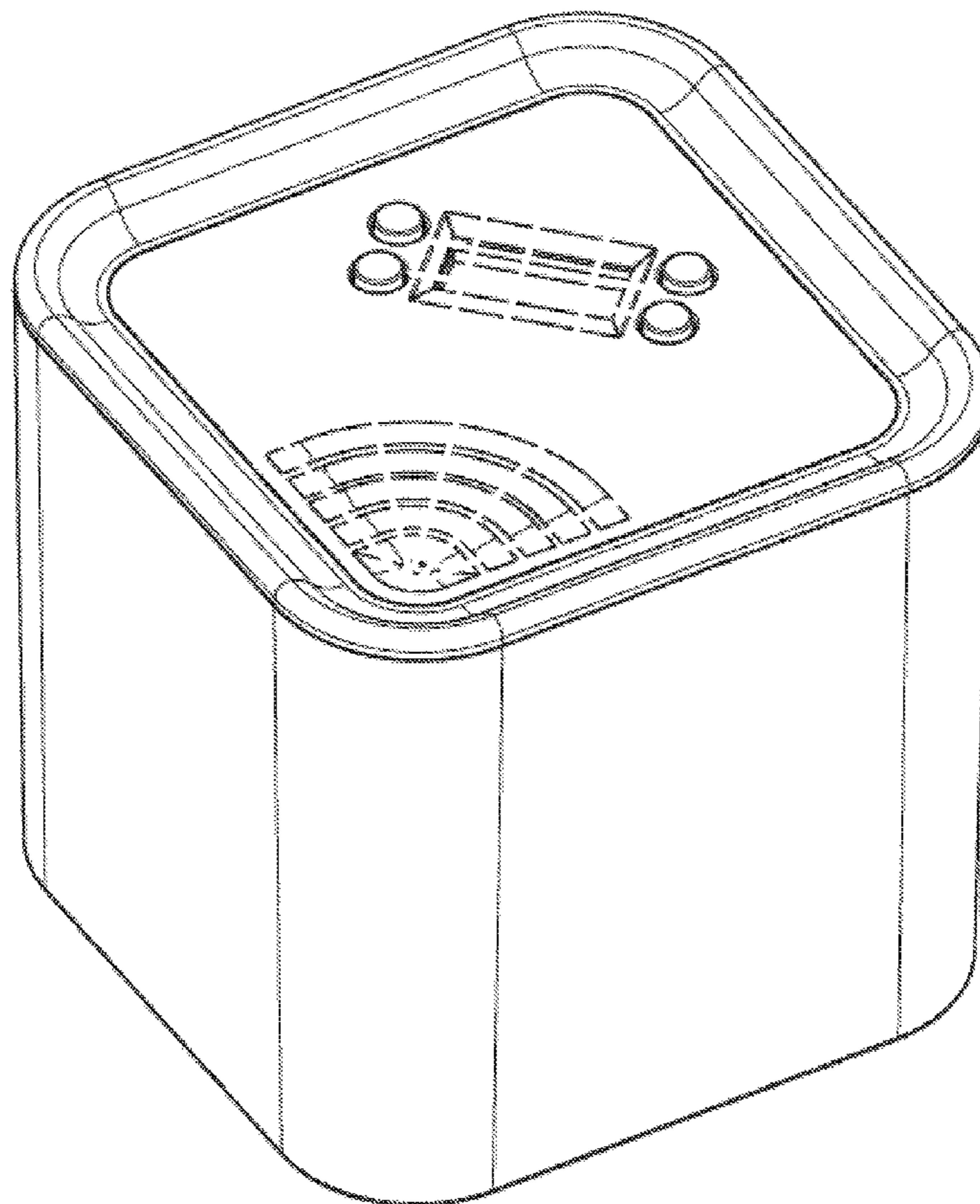


Fig. 1

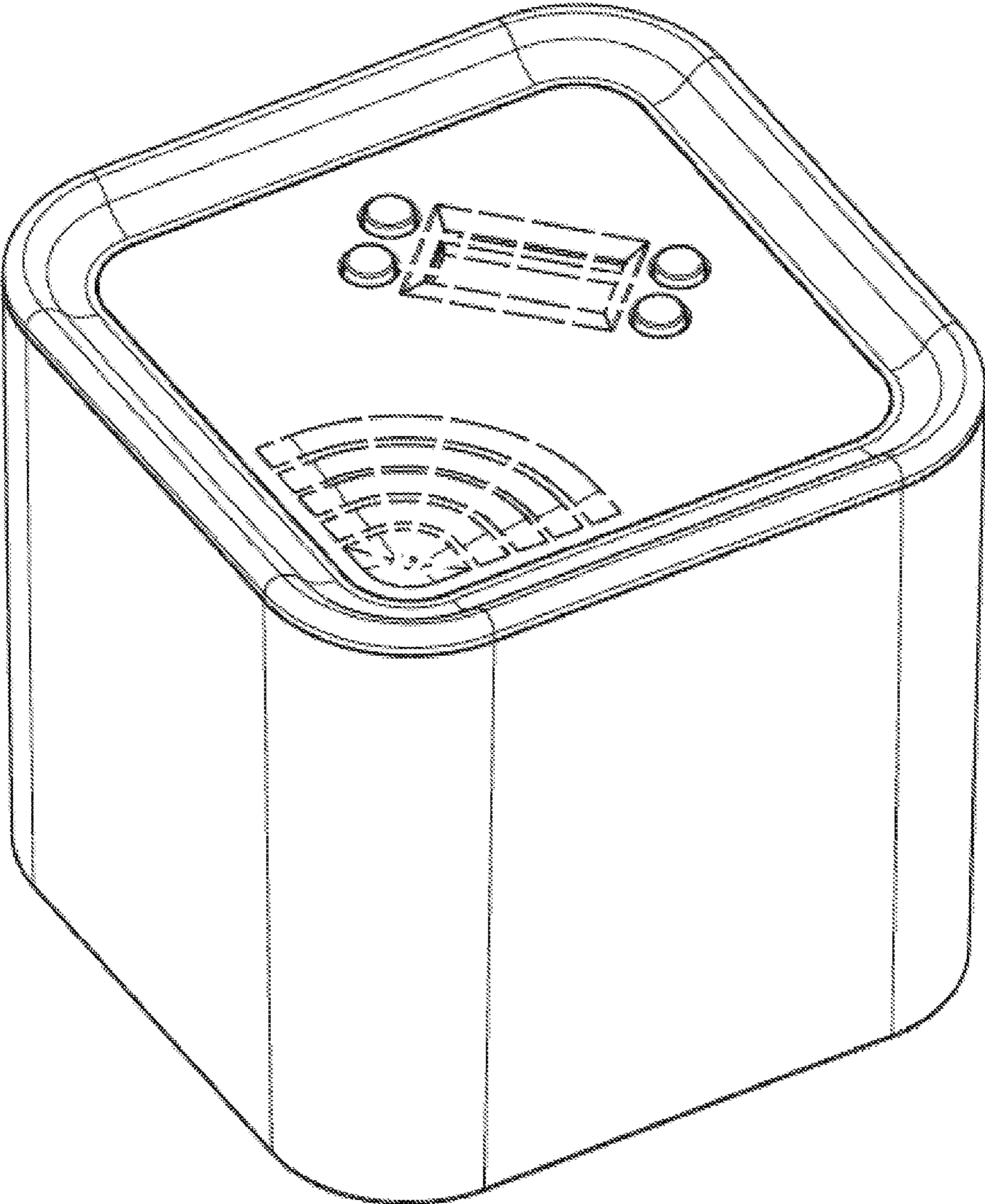
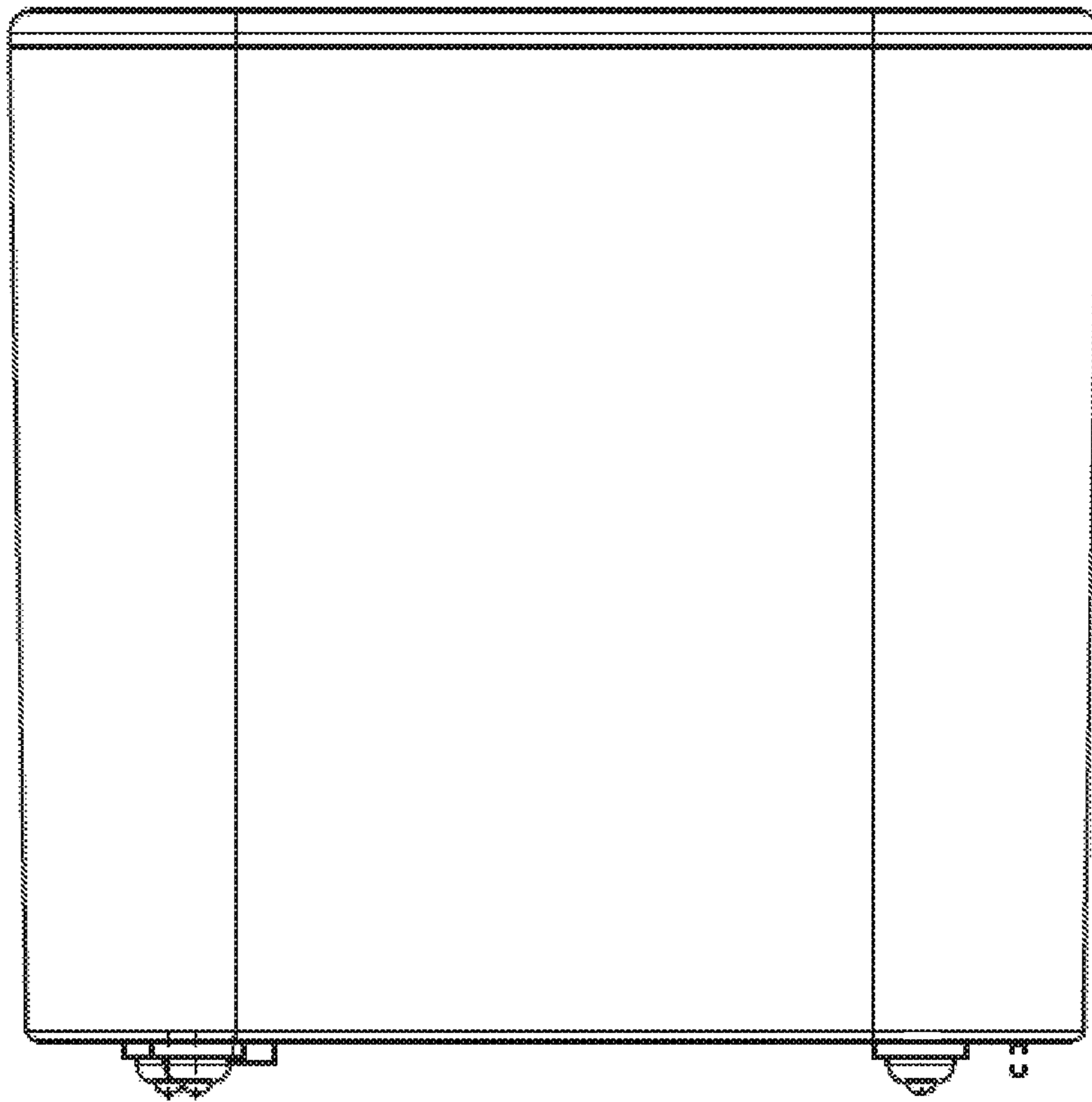


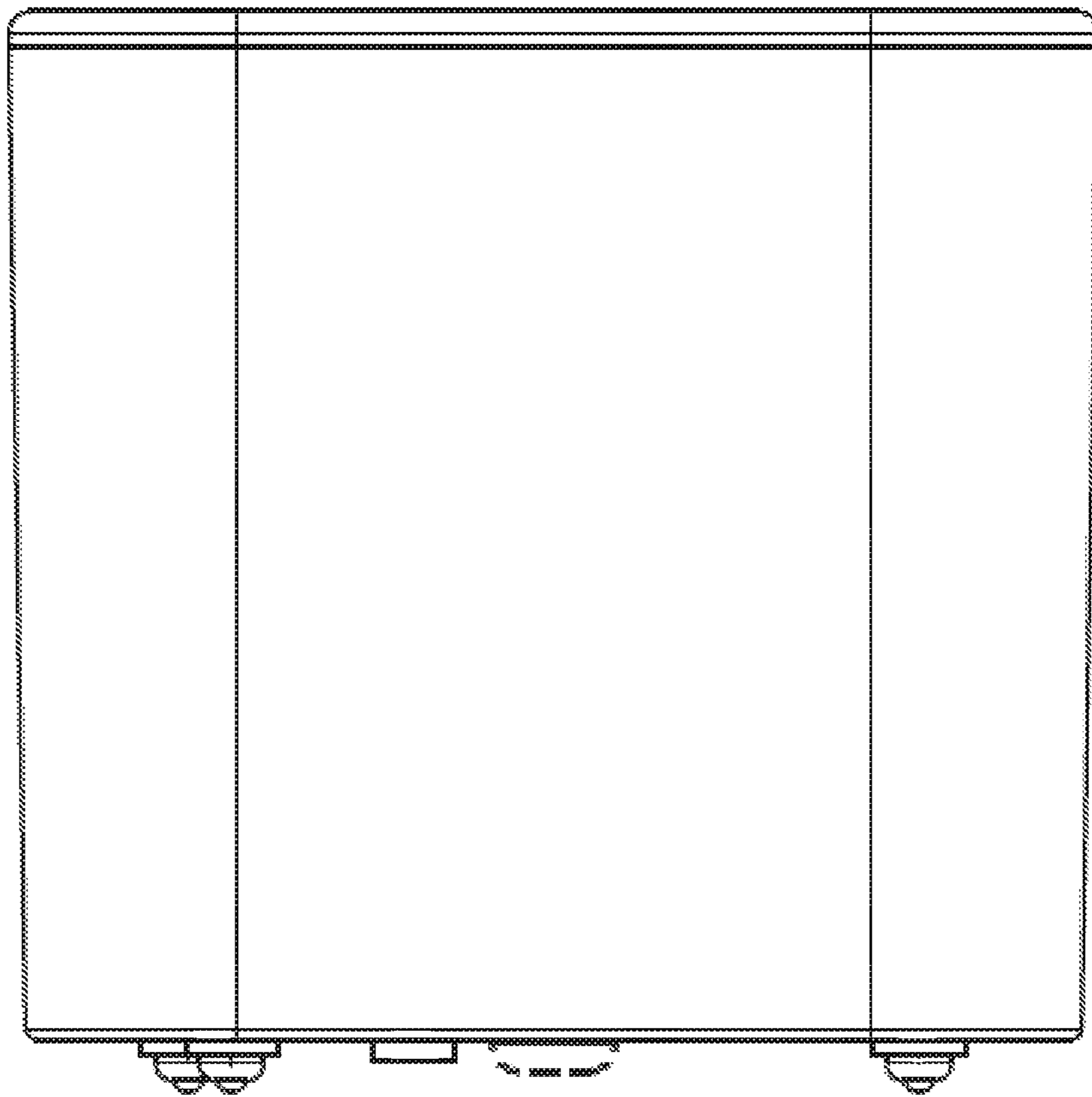
Fig. 2



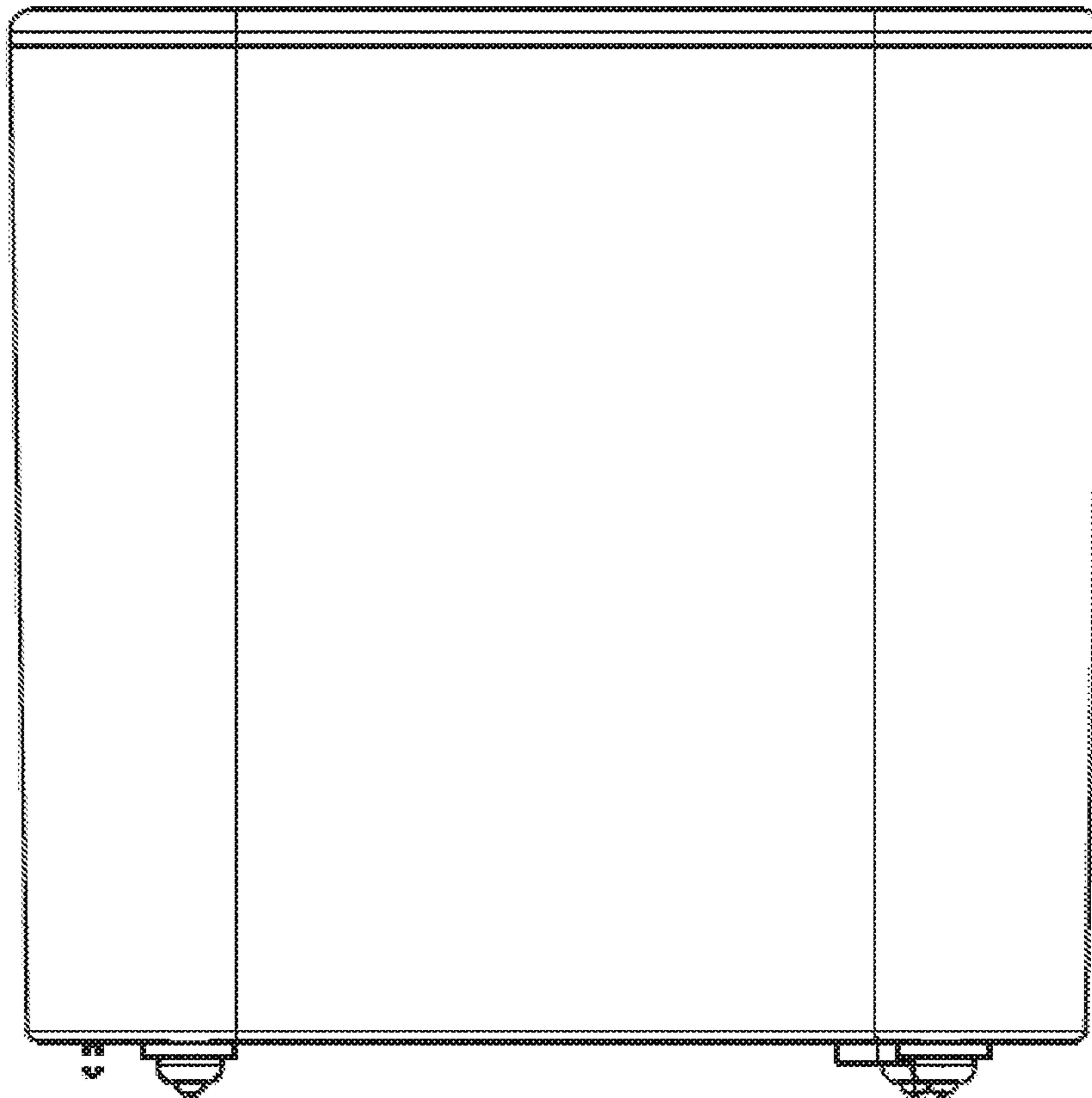
*Fig. 3*



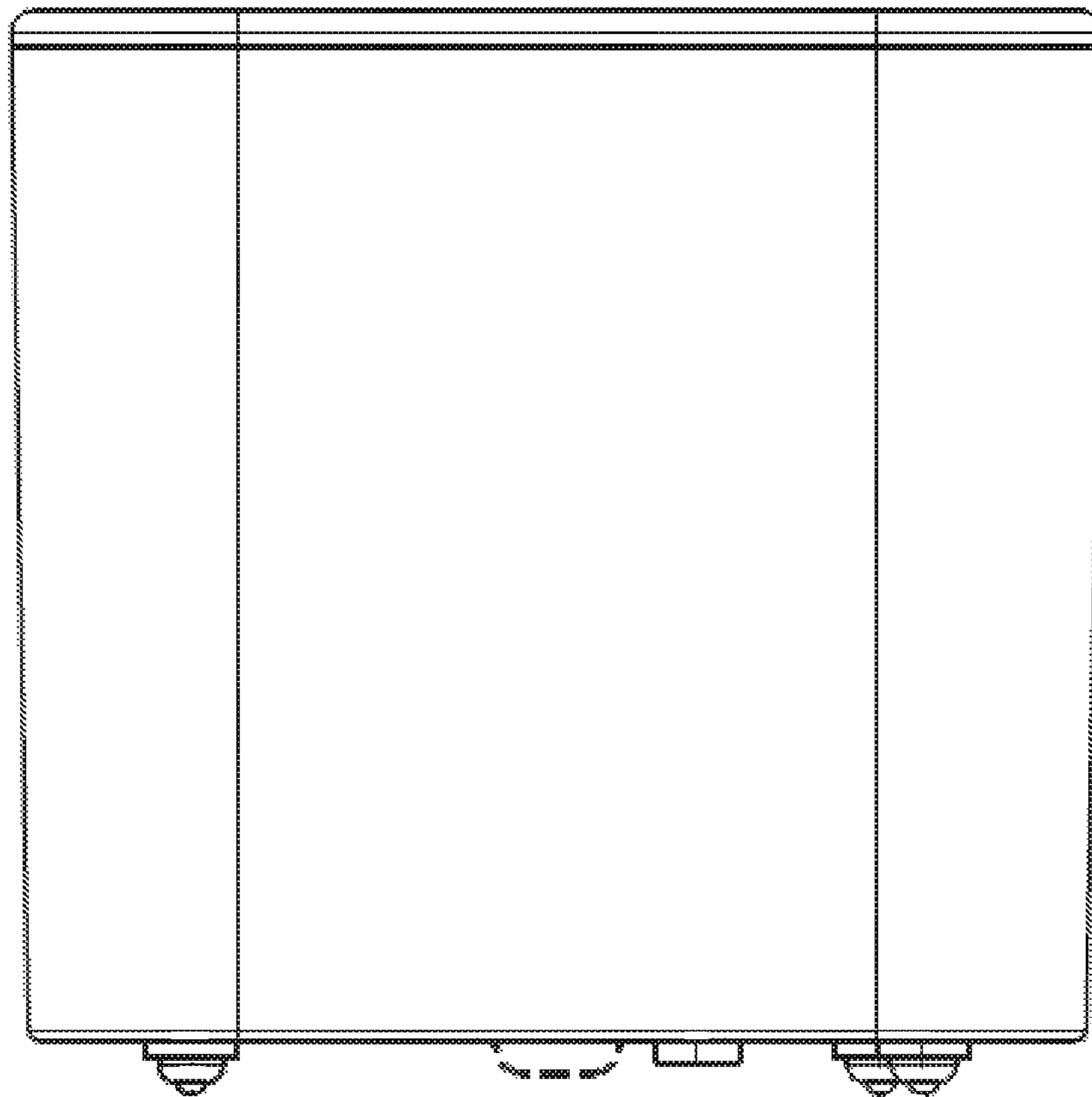
*Fig. 4*



*Fig. 5*



*Fig. 6*



*Fig. 7*

