



US00D761944S

(12) **United States Design Patent**
Ediger et al.

(10) **Patent No.:** **US D761,944 S**

(45) **Date of Patent:** **** Jul. 19, 2016**

(54) **SPACE HEATER**

(71) Applicant: **Vornado Air, LLC**, Andover, KS (US)

(72) Inventors: **Glen W. Ediger**, North Newton, KS (US); **Gary P. Israel**, Andover, KS (US); **Brian Mark Cartwright**, Wichita, KS (US); **Gregory D. Pease**, Andover, KS (US)

(73) Assignee: **Vornado Air, LLC**, Andover, KS (US)

(**) Term: **14 Years**

(21) Appl. No.: **29/524,954**

(22) Filed: **Apr. 24, 2015**

(51) **LOC (10) Cl.** **23-03**

(52) **U.S. Cl.**
USPC **D23/332**

(58) **Field of Classification Search**
USPC D23/323, 332, 314, 335-350, 378, 370,
D23/381, 354, 351, 386, 333, 328, 353, 361,
D23/385, 417, 357; 165/41
CPC F24H 3/002; F24H 3/00; F24H 3/02;
F24H 3/0417; F24H 3/0411; F24H 3/087;
F24H 3/08
See application file for complete search history.

(56) **References Cited**

U.S. PATENT DOCUMENTS

D441,065 S * 4/2001 Ediger D23/328
D445,117 S * 7/2001 Heber D15/79

D445,173 S * 7/2001 Birdsell D23/332
D456,499 S * 4/2002 Ching D23/335
D467,324 S * 12/2002 Ching D23/335
D597,640 S * 8/2009 Israel D23/335
D597,641 S * 8/2009 Israel D23/335
D626,641 S * 11/2010 Ediger D23/335
D636,858 S * 4/2011 Ediger D23/335
D654,578 S * 2/2012 Ediger D23/342

* cited by examiner

Primary Examiner — T. Chase Nelson

Assistant Examiner — Ania Aman

(74) *Attorney, Agent, or Firm* — Milligan PC LLO

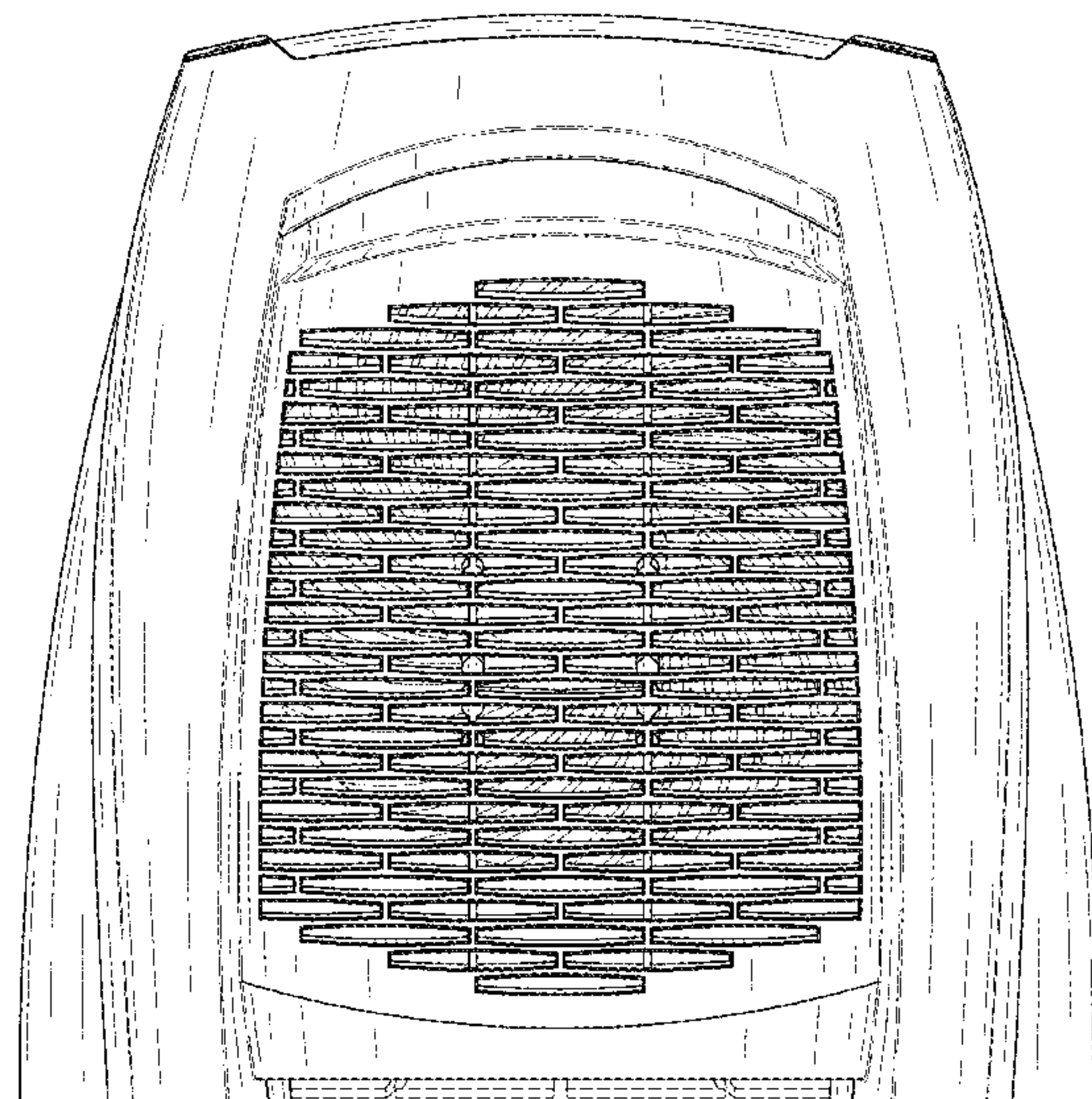
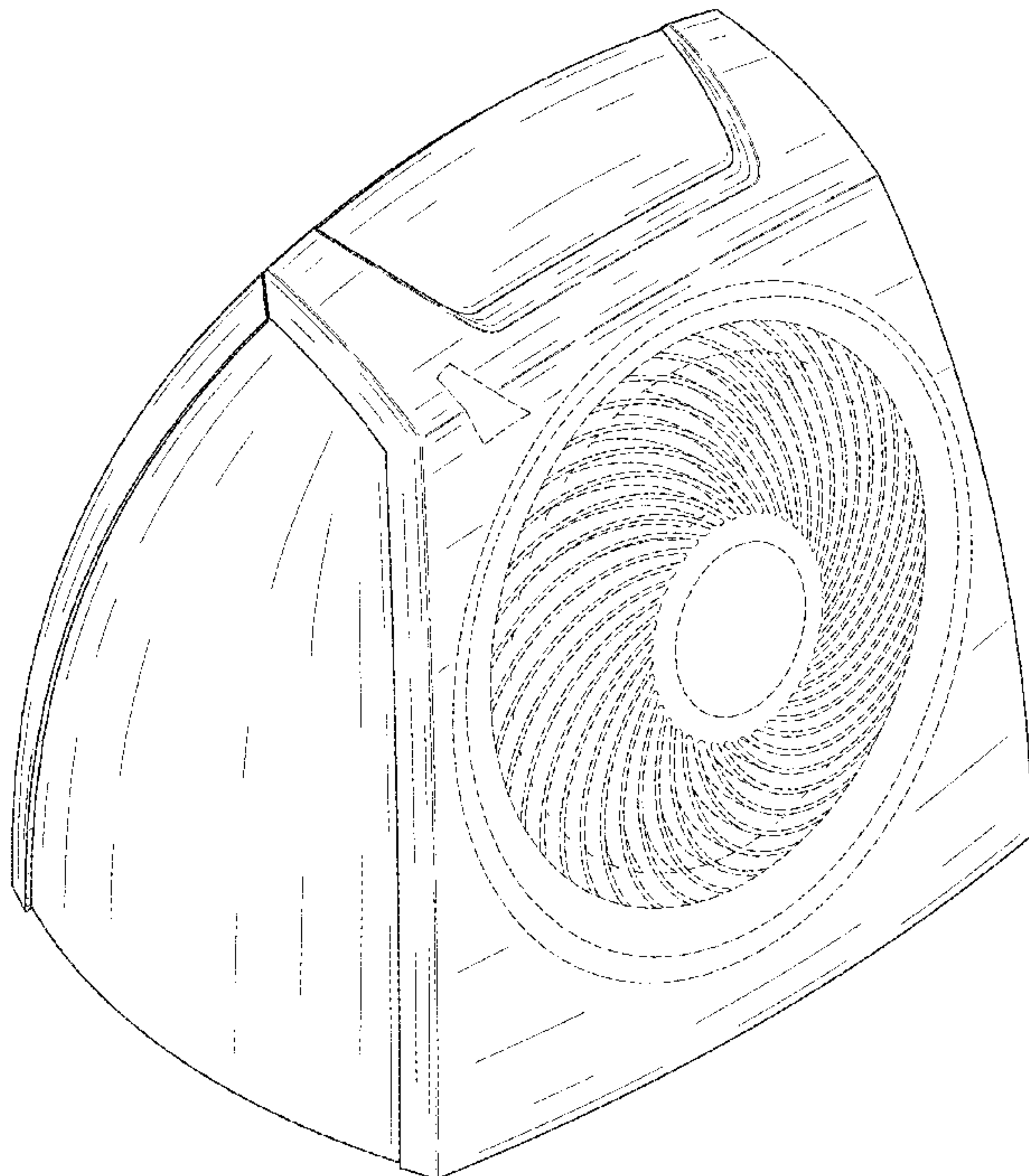
(57) **CLAIM**

The ornamental design for a space heater, as shown and described.

DESCRIPTION

FIG. 1 is a front perspective view of the space heater;
FIG. 2 is a front elevational view of the space heater of FIG. 1;
FIG. 3 is a rear elevational view of the space heater of FIG. 1;
FIG. 4 is a left elevational view of the space heater of FIG. 1;
FIG. 5 is a right elevational view of the space heater of FIG. 1;
FIG. 6 is a top plan view of the space heater of FIG. 1; and,
FIG. 7 is a bottom plan view of the space heater of FIG. 1.
The broken lines shown in the drawings are for the purpose of illustrating portions of the article that form no part of the claimed design.

1 Claim, 7 Drawing Sheets



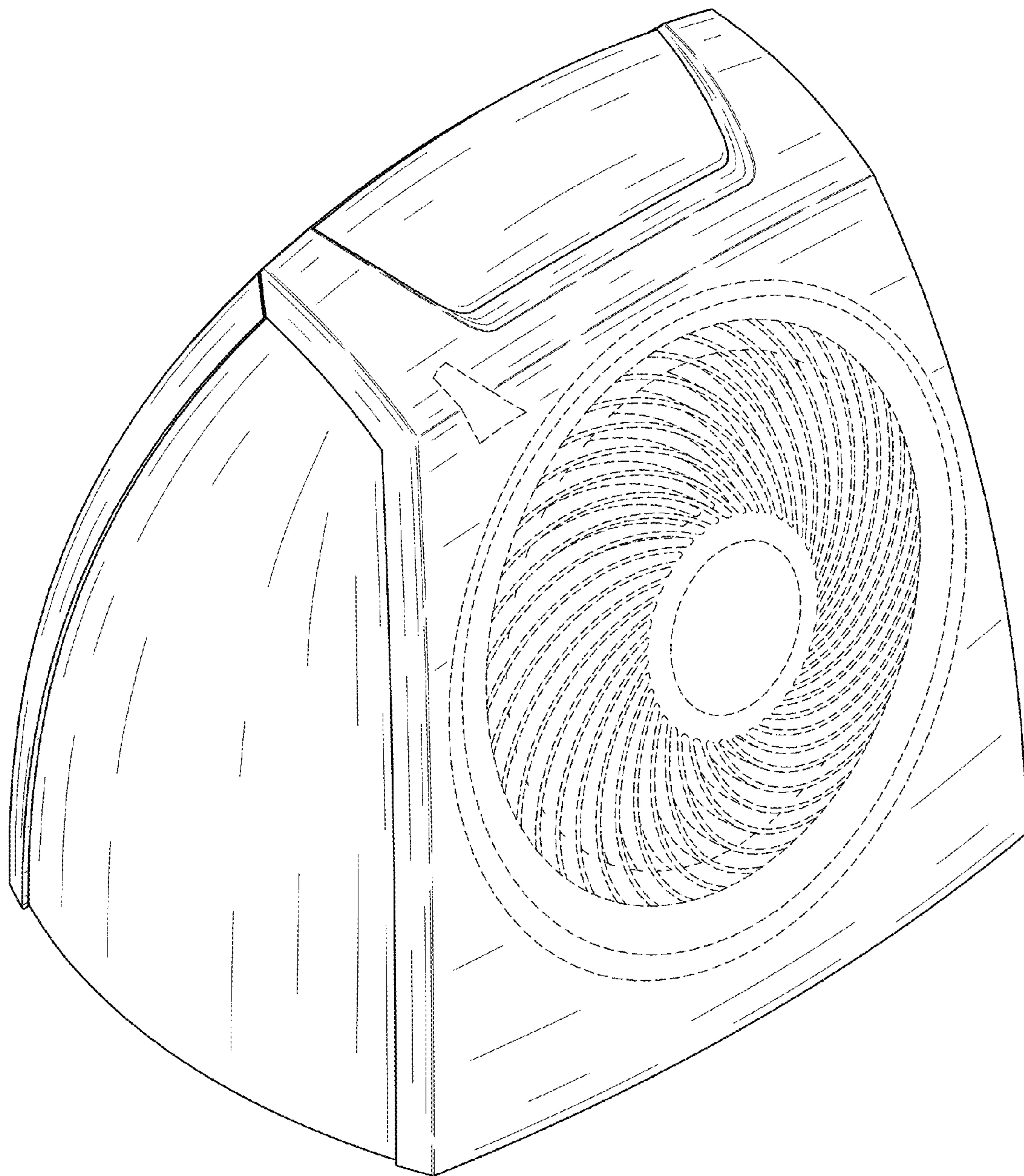


FIG. 1

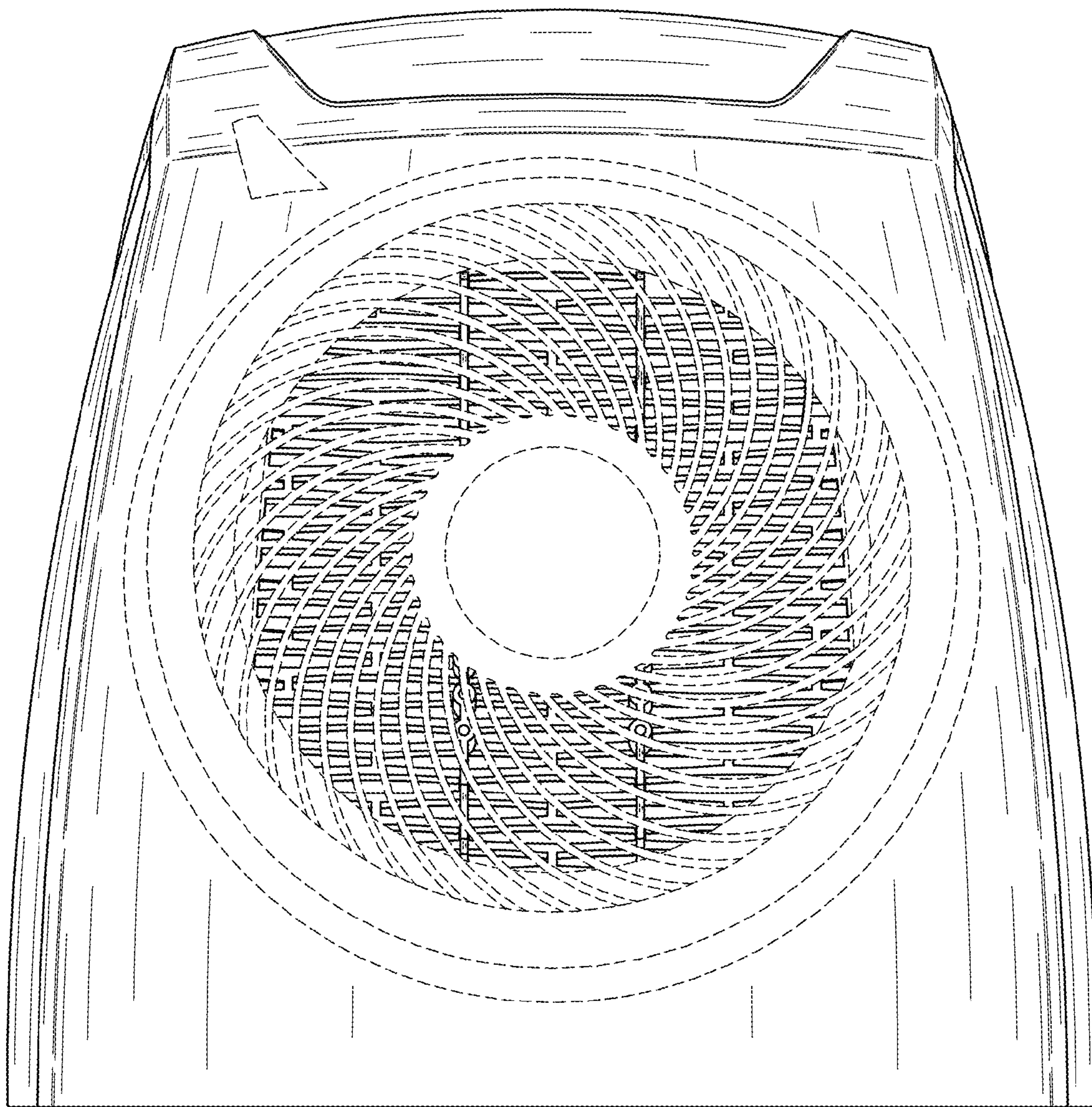


FIG. 2

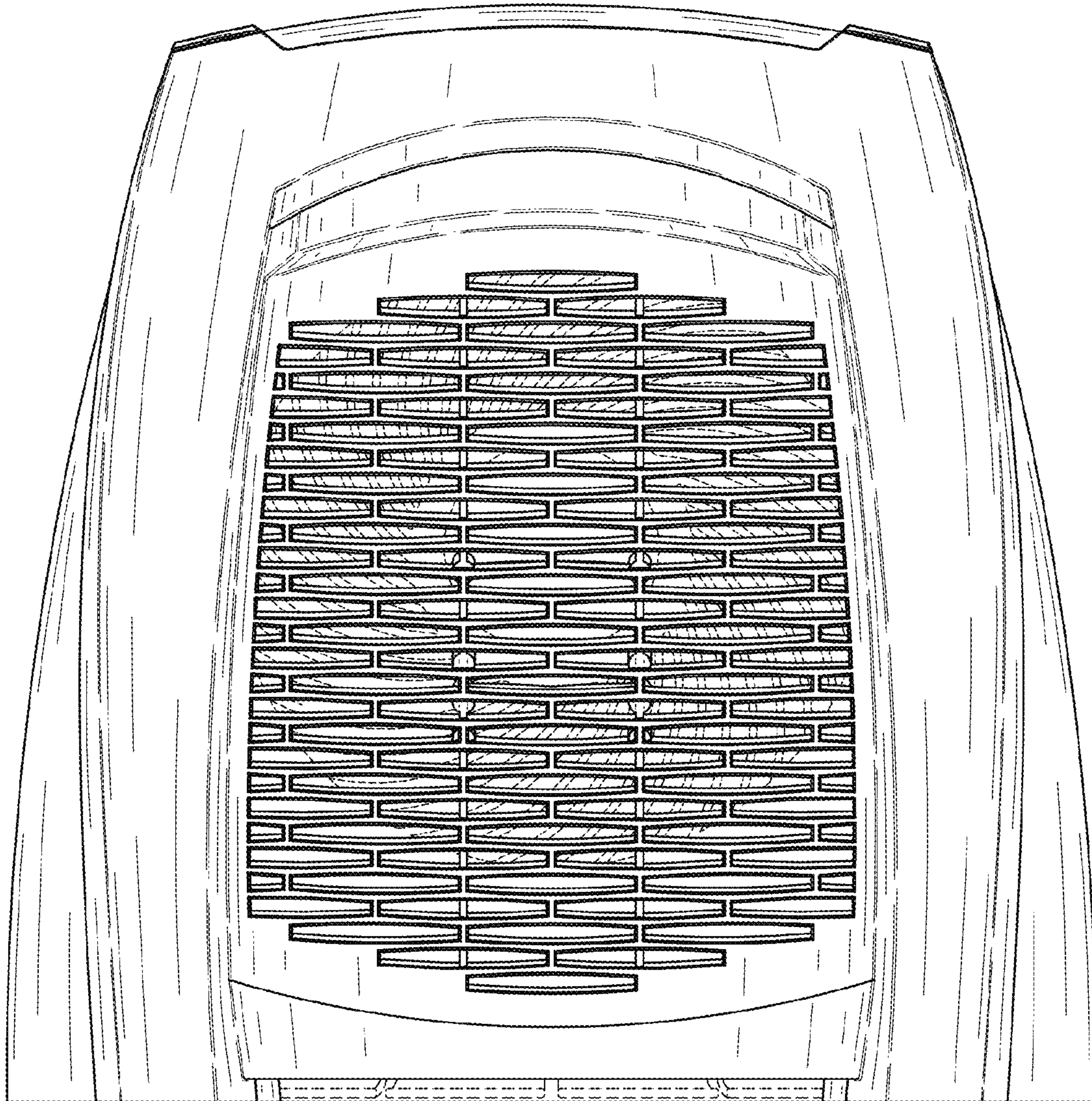


FIG. 3

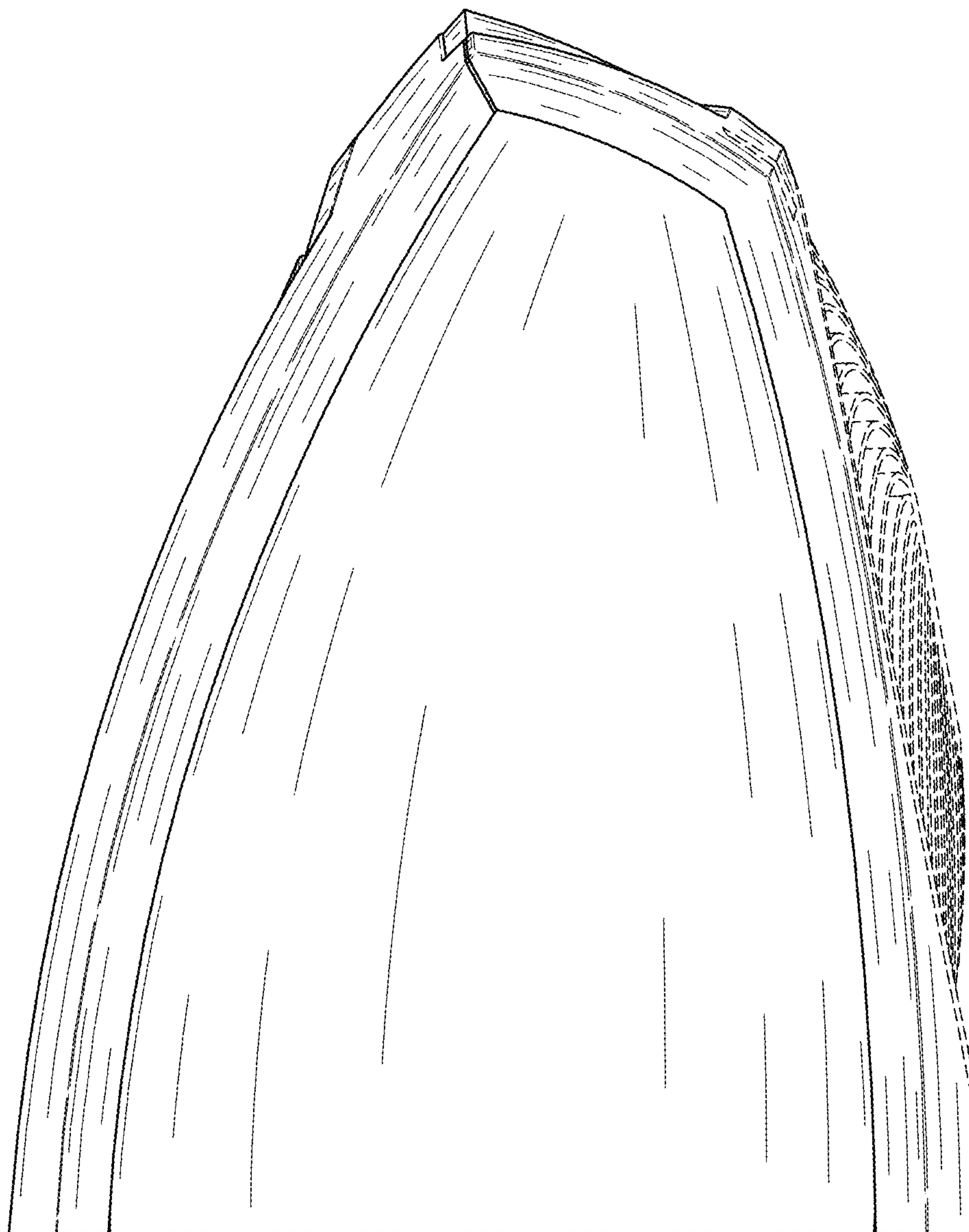


FIG. 4

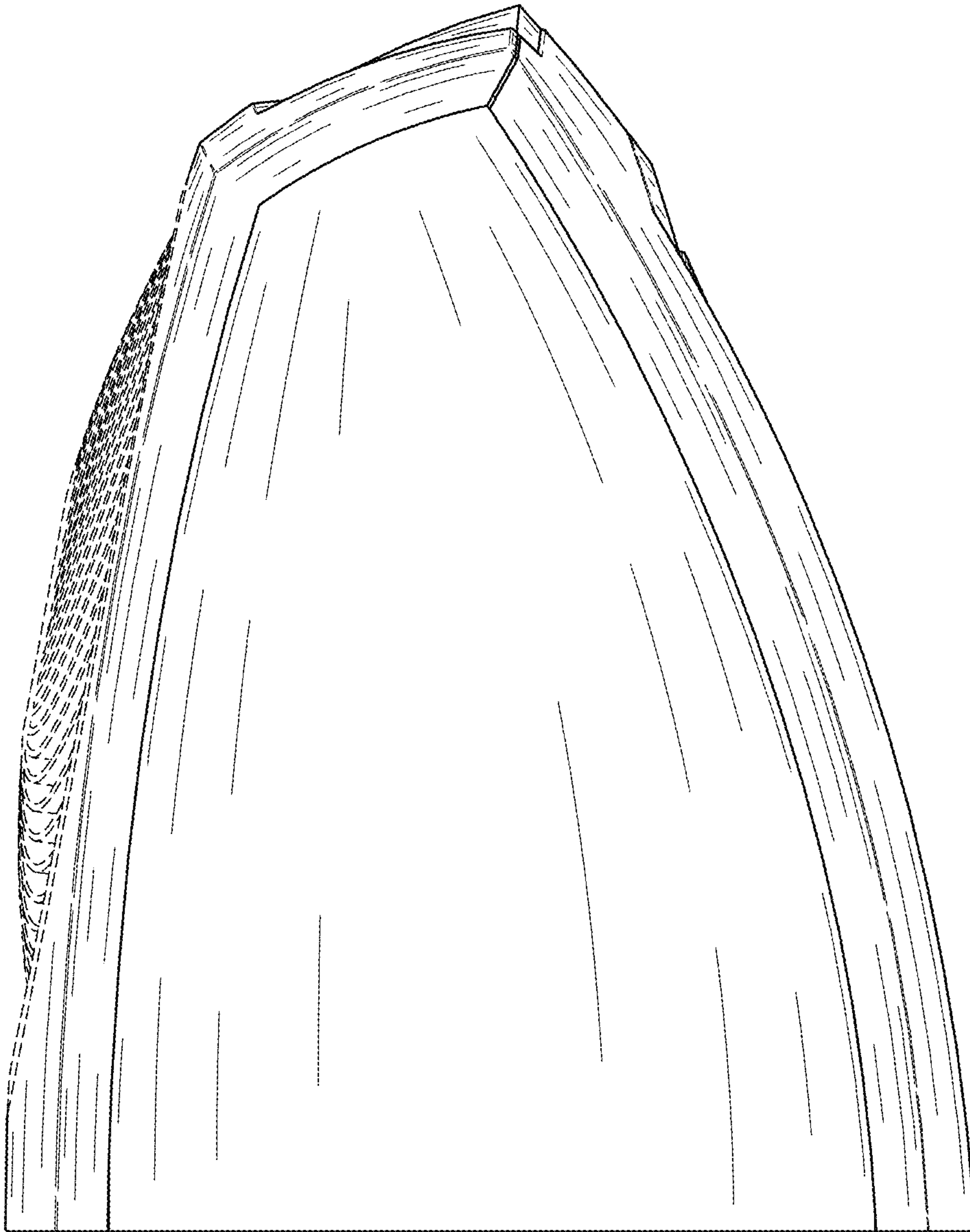


FIG. 5

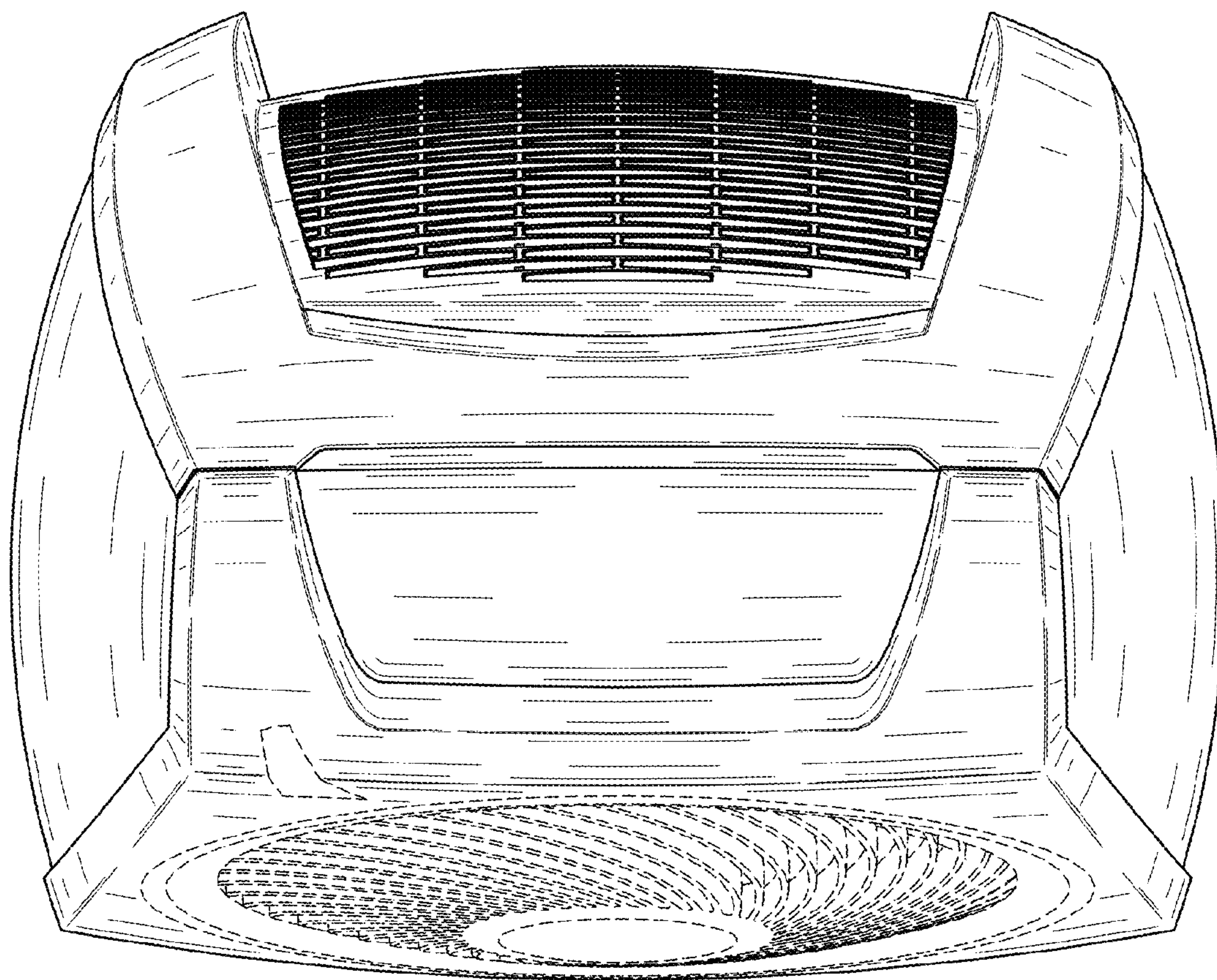


FIG. 6

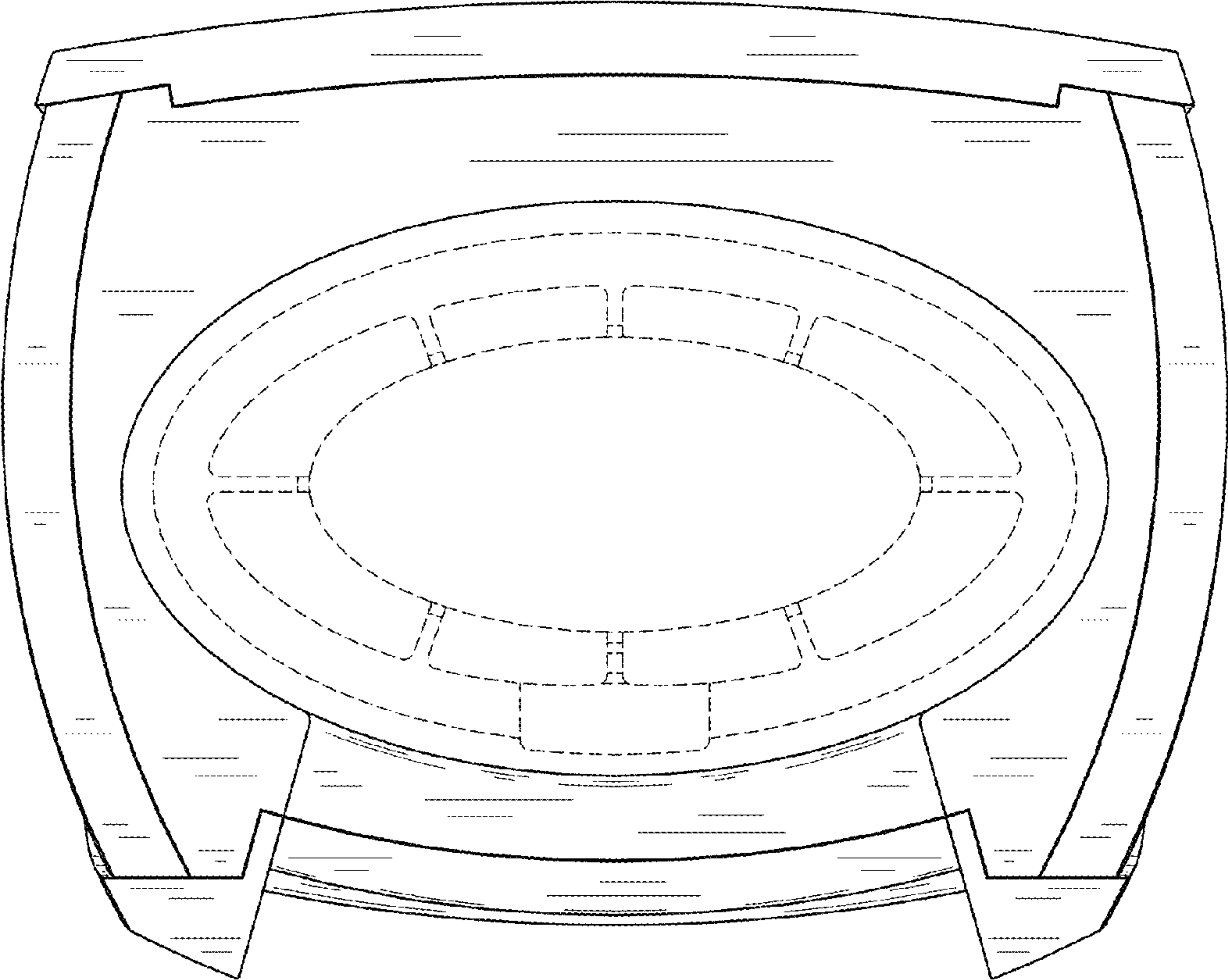


FIG. 7