



US00D761942S

(12) **United States Design Patent**
Santos

(10) **Patent No.:** **US D761,942 S**
(45) **Date of Patent:** **** Jul. 19, 2016**

(54) **DRAIN GREASE CONTAINER**

(71) Applicant: **Shawn Alan Santos**, Honolulu, HI (US)

(72) Inventor: **Shawn Alan Santos**, Honolulu, HI (US)

(**) Term: **14 Years**

(21) Appl. No.: **29/474,236**

(22) Filed: **Jul. 18, 2014**

(51) **LOC (10) Cl.** **23-01**

(52) **U.S. Cl.**

USPC **D23/261**

(58) **Field of Classification Search**

USPC D23/259–263, 266–269, 233; 251/215,
251/216; 285/369, 372, 373, 417, 133.11,
285/133.3, 133.21, 133.4, 133.5, 133.6;
137/247, 247.41, 247.51

CPC F16L 11/00; F16L 37/252; F16L 41/007;
E03C 1/26; E03C 1/262; E03C 1/28; E03F
5/04; A61B 5/00; A61M 25/09016

See application file for complete search history.

(56) **References Cited**

U.S. PATENT DOCUMENTS

D599,444 S * 9/2009 Jones D23/261
D672,438 S * 12/2012 Noel D23/261
D673,246 S * 12/2012 Lee D23/260

D728,077 S * 4/2015 Luo D23/260

* cited by examiner

Primary Examiner — Sandra Snapp

(74) *Attorney, Agent, or Firm* — Steven R. Gray; Holland & Hart LLP

(57) **CLAIM**

The ornamental design for a drain grease container, as shown and described.

DESCRIPTION

FIG. 1 is a perspective view of my new design of a drain grease container;

FIG. 2 is a quarter-rotated side view, of which a three-quarter-rotated side view is a mirror image of the container in FIG. 1; FIG. 3 is a front view, of which a half-rotated-side view is a mirror image of the container in FIG. 1;

FIG. 4 is a top plan view of the container of FIG. 1;

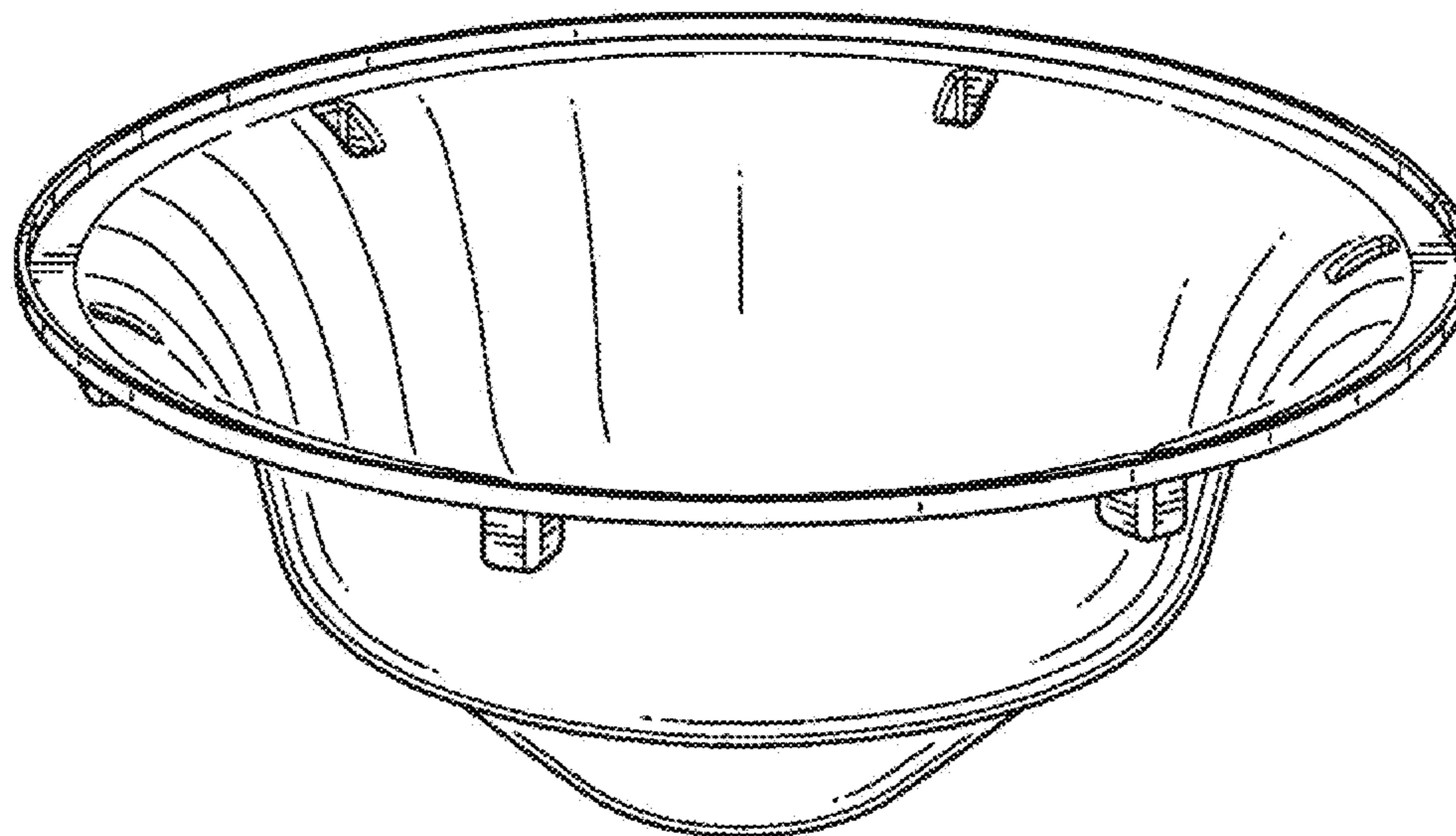
FIG. 5 is a bottom plan view of the container of FIG. 1;

FIG. 6 is a front perspective view of the container of FIG. 1; FIG. 7 is a side sectional view of the container of FIG. 1 taken along line 12-12 in FIG. 6, the container shown in an intended environment of use with absorbent material therein; and,

FIG. 8 is an overhead perspective view of the container of FIG. 1 in an intended environment of use installed in a kitchen sink.

The broken lines shown in the figures depict environmental and unclaimed subject matter.

1 Claim, 4 Drawing Sheets



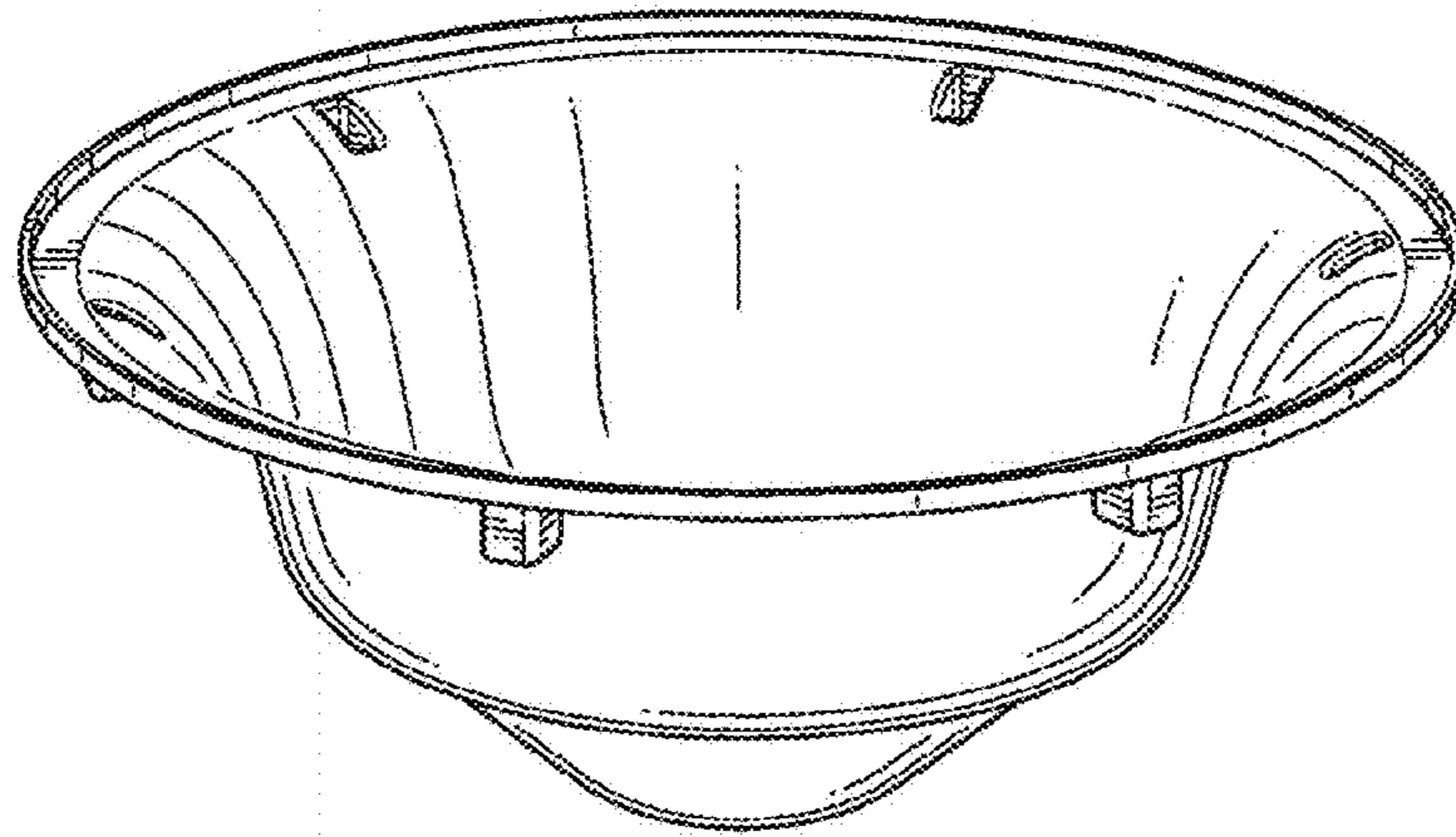


FIG. 1

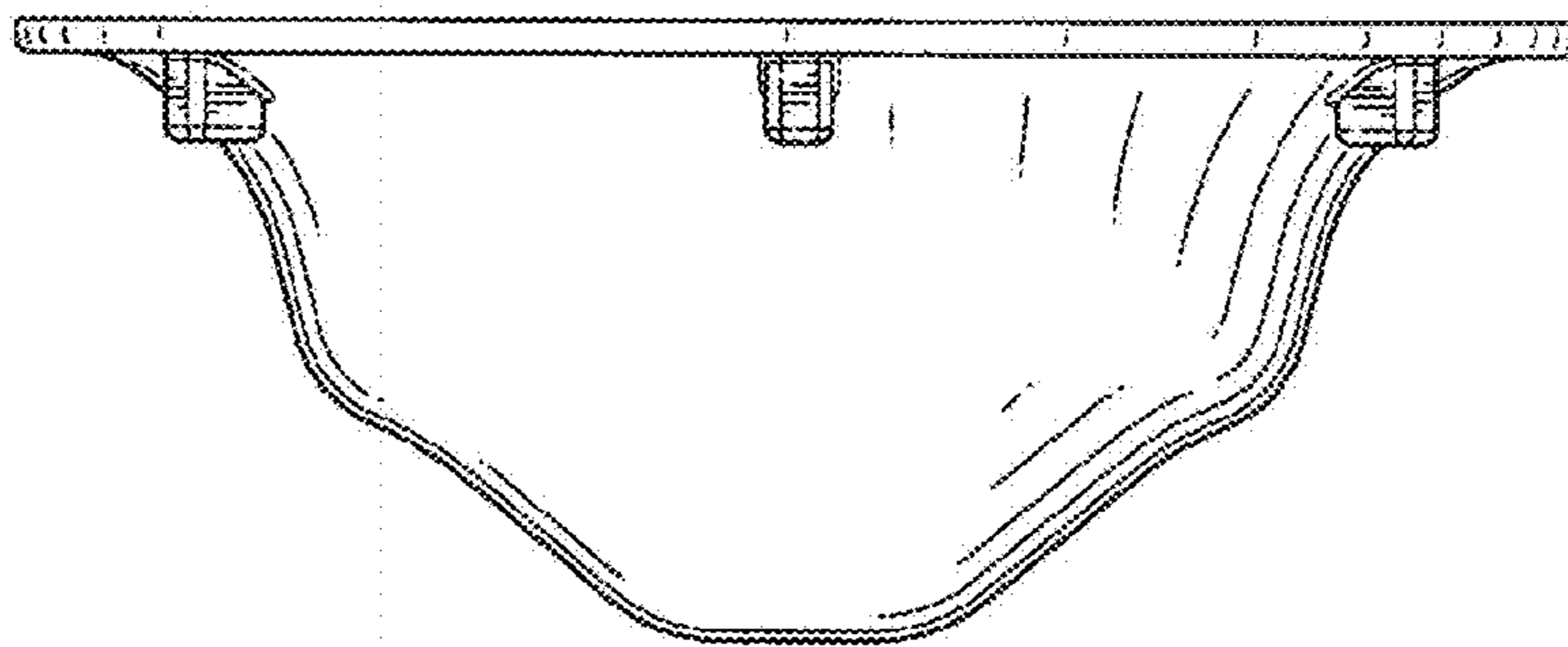


FIG. 2

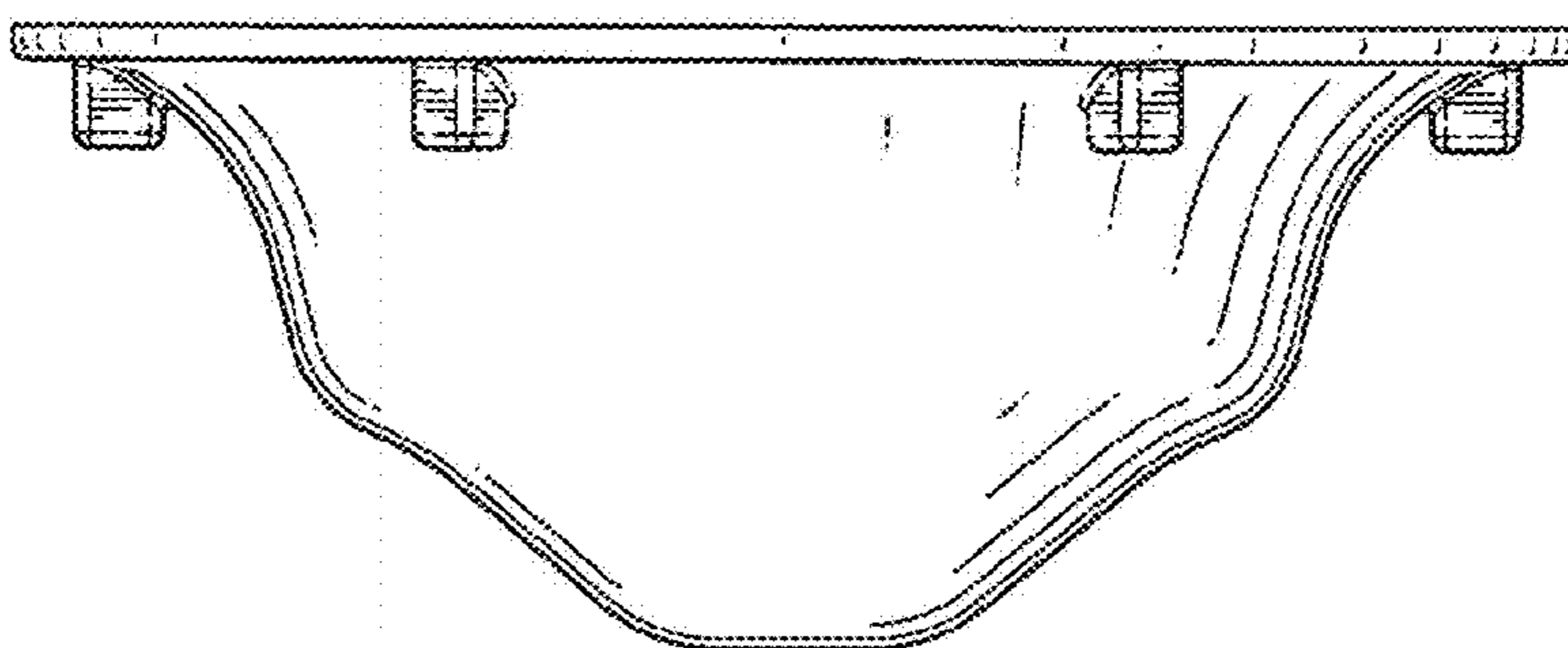


FIG. 3

2/4

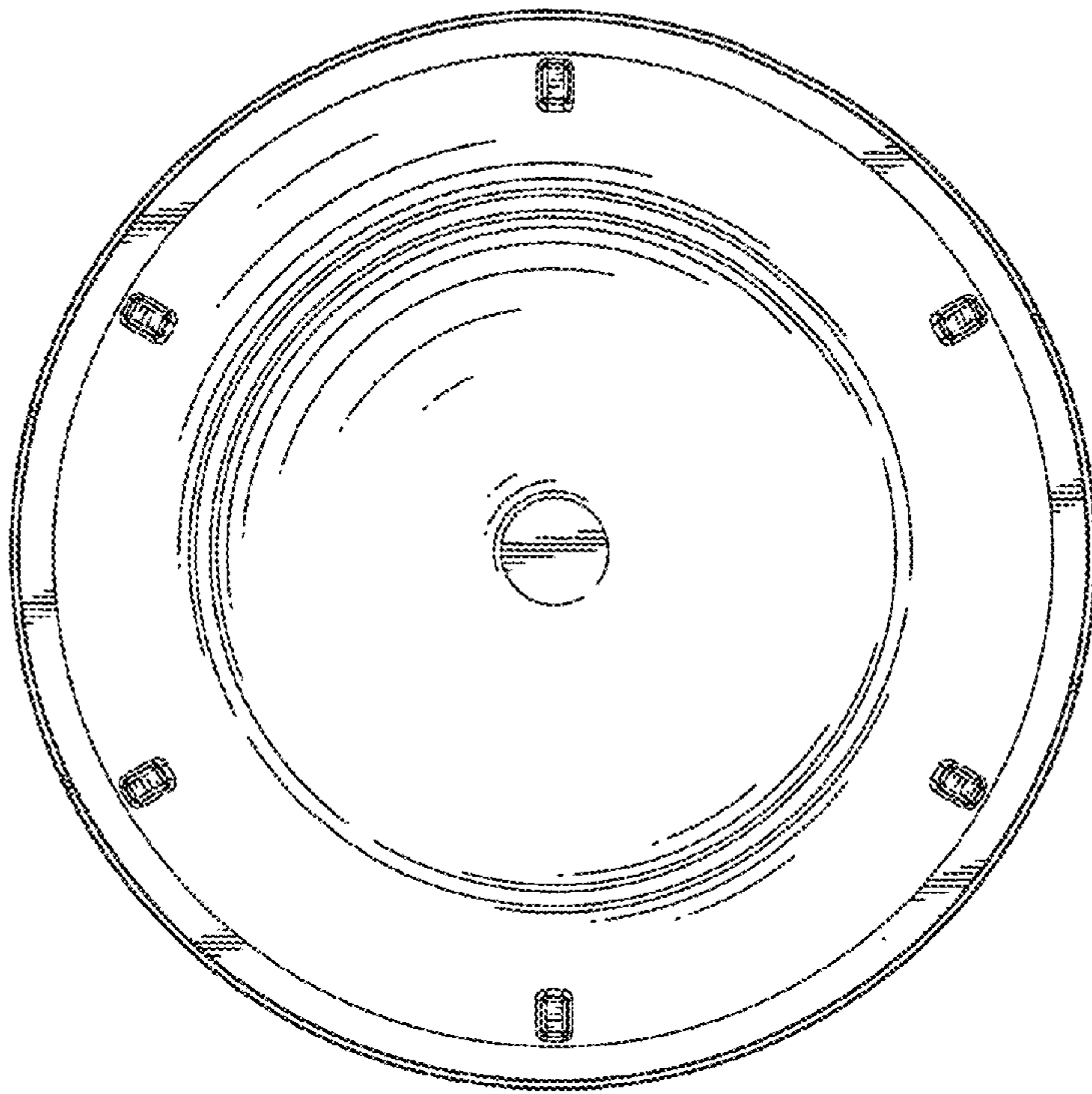


FIG. 4

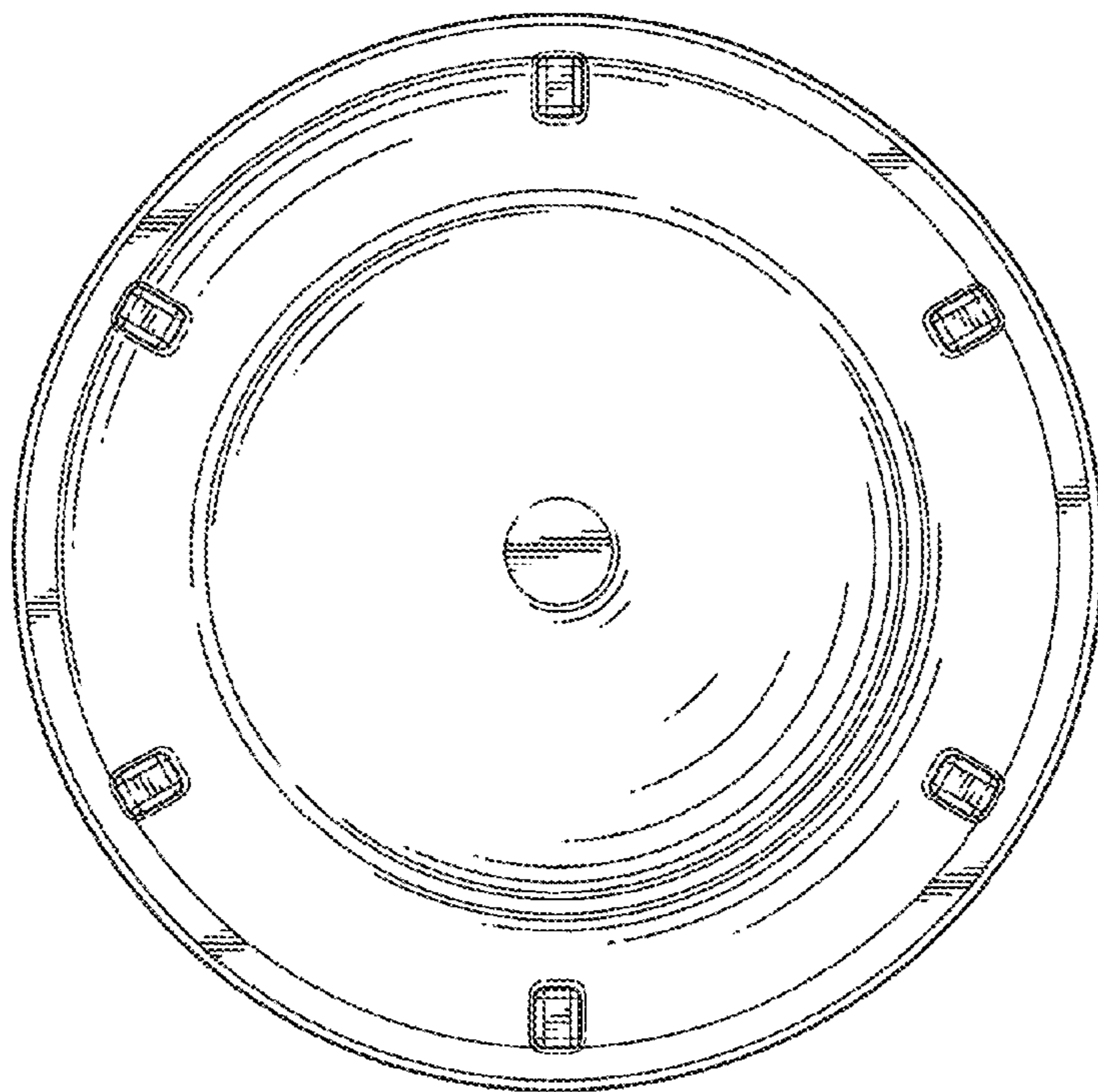


FIG. 5

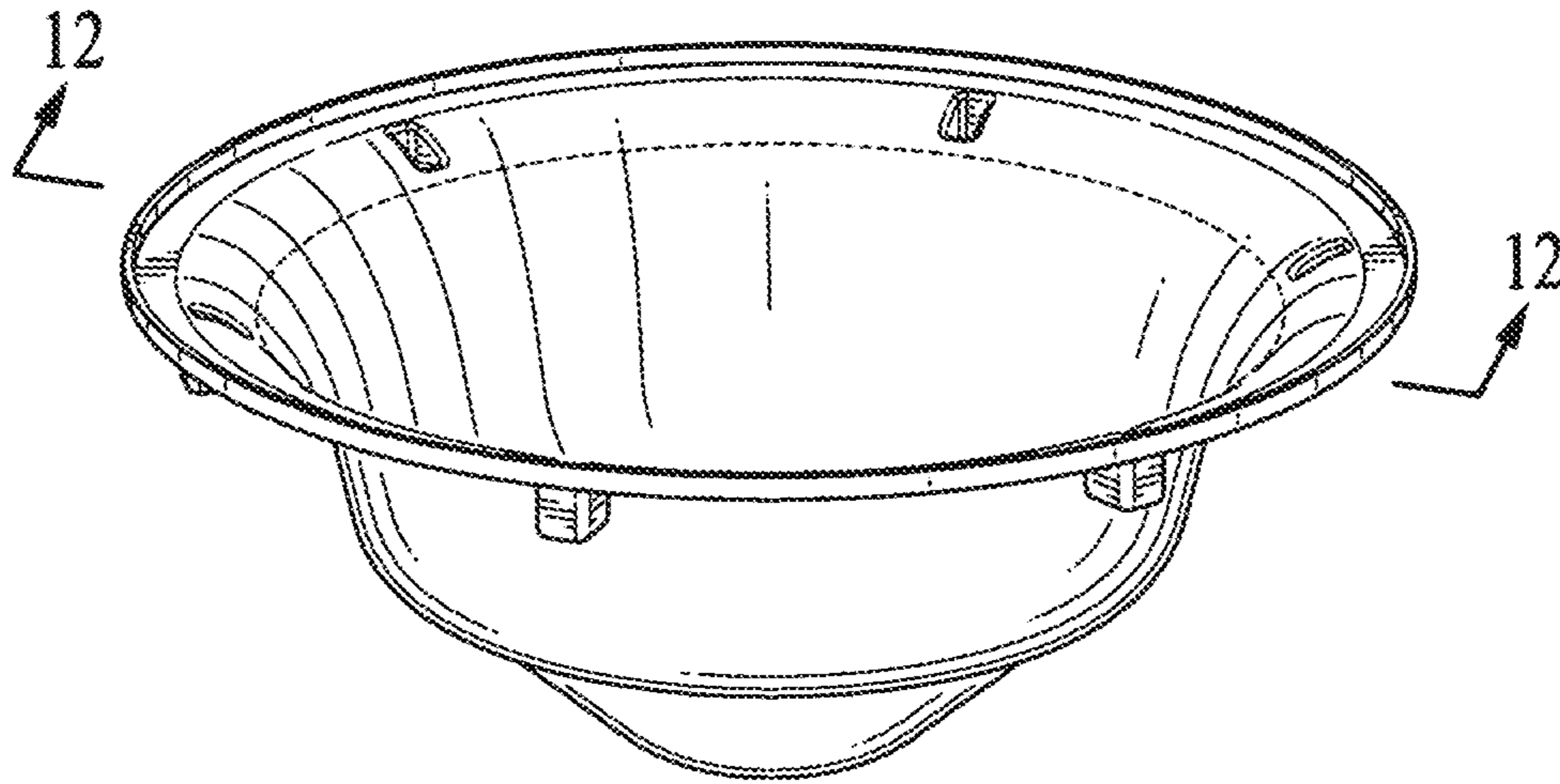


FIG. 6

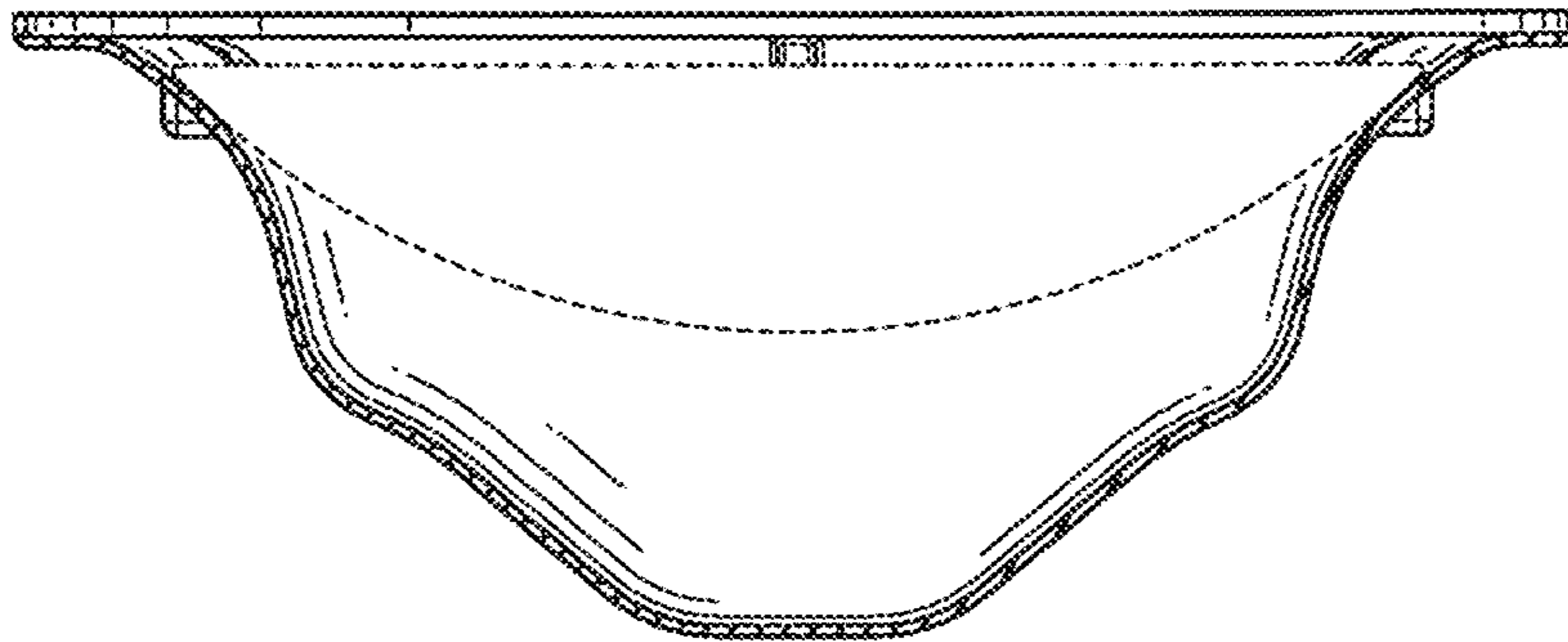


FIG. 7

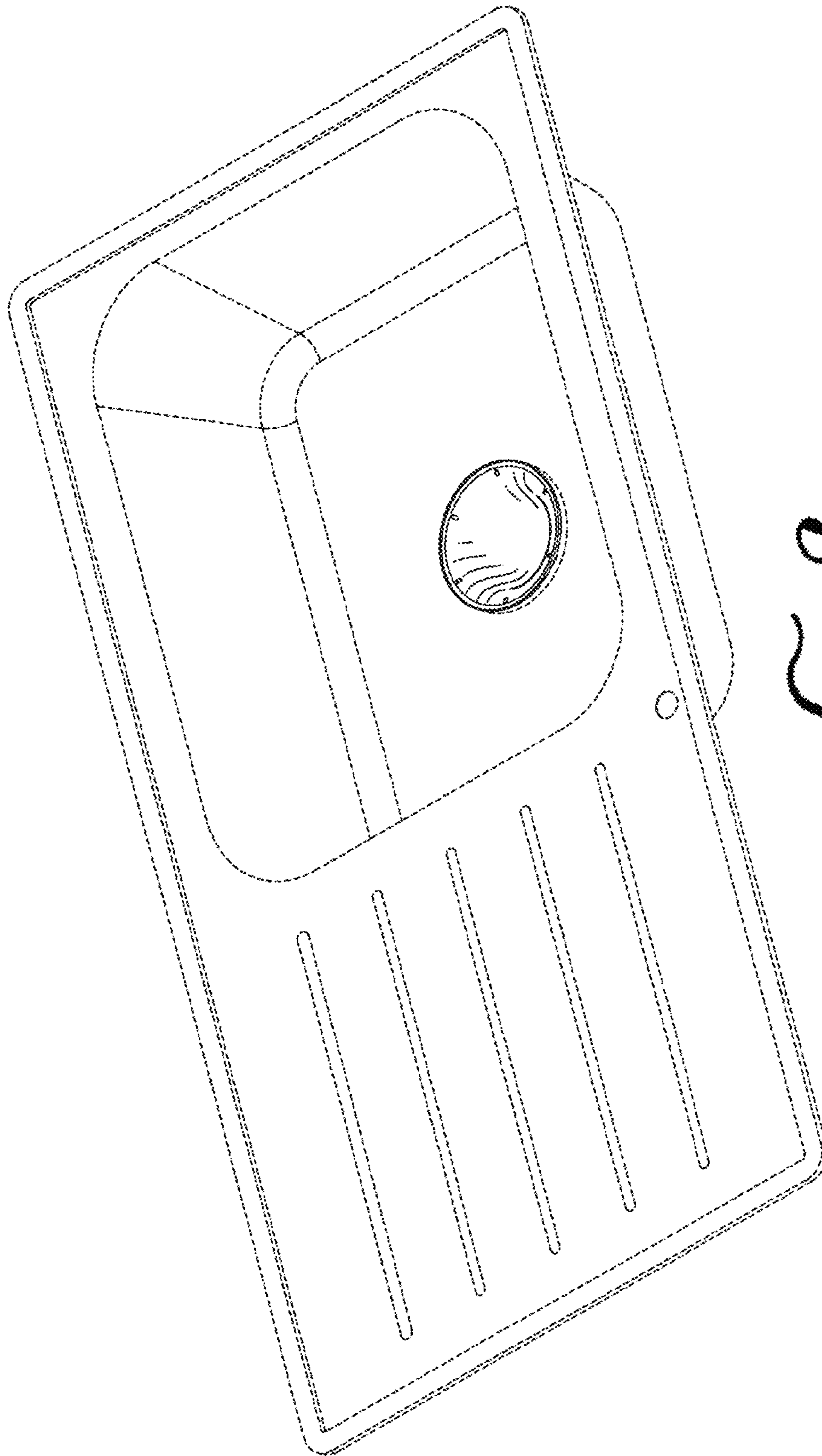


Fig. 8