



US00D761941S

(12) **United States Design Patent**
Flowers et al.

(10) **Patent No.:** **US D761,941 S**
(45) **Date of Patent:** **** *Jul. 19, 2016**

(54) **BASIN MIXER**

(71) Applicant: **Grohe AG**, Hemer (DE)

(72) Inventors: **Paul Flowers**, London (GB); **Jochen Allard**, Menden (DE)

(73) Assignee: **Grohe AG**, Hemer (DE)

(*) Notice: This patent is subject to a terminal disclaimer.

(**) Term: **14 Years**

(21) Appl. No.: **29/524,328**

(22) Filed: **Apr. 20, 2015**

(30) **Foreign Application Priority Data**

Oct. 20, 2014 (EM) 002560276-0001

(51) **LOC (10) Cl.** **23-01**

(52) **U.S. Cl.**
USPC **D23/255**

(58) **Field of Classification Search**
USPC D23/238-243, 255, 257
CPC E03C 1/04; E03C 1/0401; E03C 1/0402;
E03C 1/0404
See application file for complete search history.

(56) **References Cited**

U.S. PATENT DOCUMENTS

D478,966 S * 8/2003 Citterio D23/238
D503,217 S * 3/2005 Aubry D23/238

D517,169 S * 3/2006 Ogata D23/238
D522,092 S * 5/2006 Hoernig D23/238
D541,906 S * 5/2007 Qing D23/238
D575,849 S * 8/2008 Ko D23/238
D645,938 S * 9/2011 Ando D23/238
D645,941 S * 9/2011 Ando D23/242
D659,807 S * 5/2012 Flowers D23/255
D680,627 S * 4/2013 Lord D23/255
D701,592 S * 3/2014 Zhenqiang D23/238
D726,880 S * 4/2015 Kington D23/238

* cited by examiner

Primary Examiner — Robert Delehanty

(74) *Attorney, Agent, or Firm* — Muncy, Geissler, Olds & Lowe, P.C.

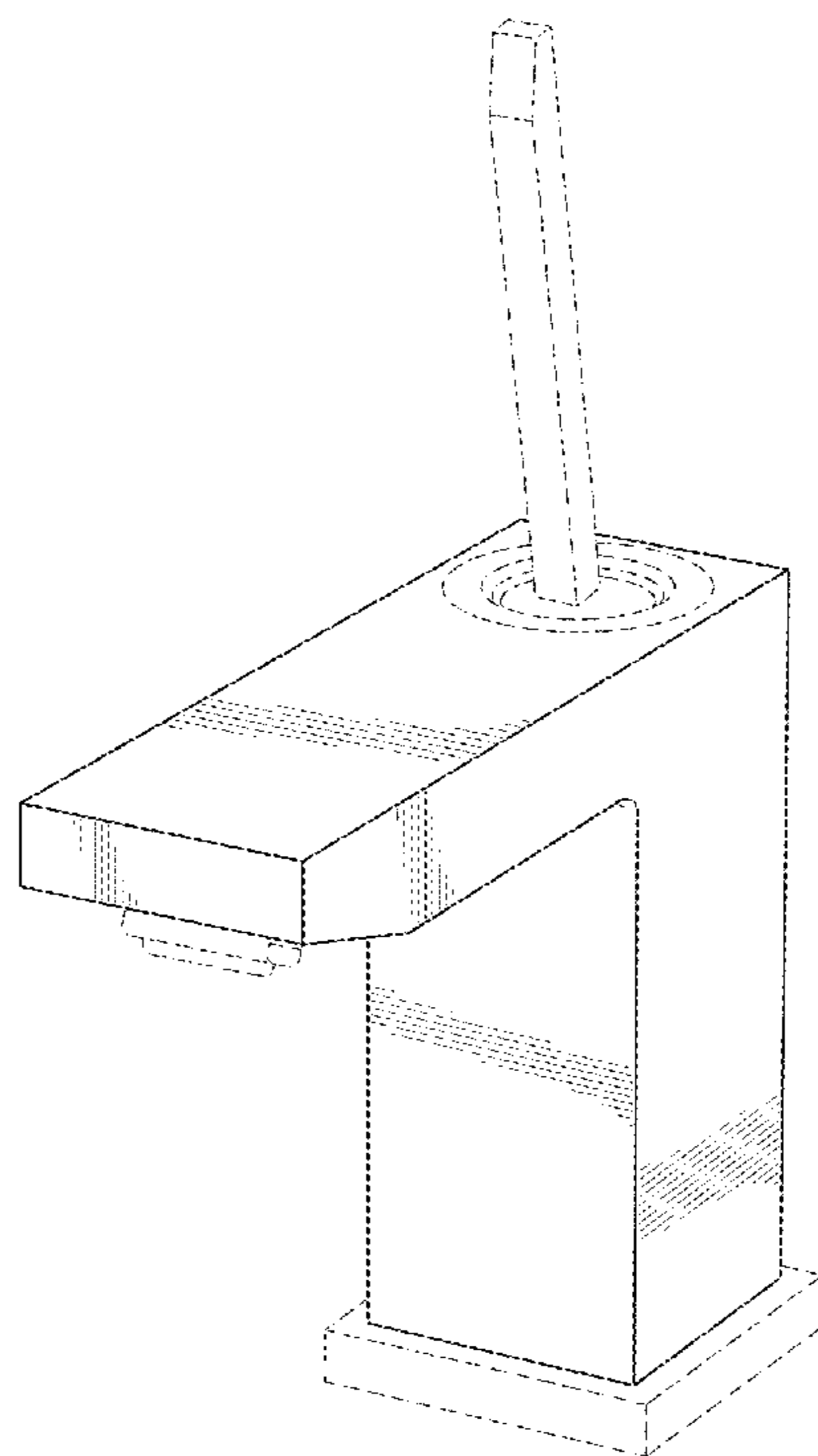
(57) **CLAIM**

The ornamental design for a basin mixer, as shown and described.

DESCRIPTION

FIG. 1 is a front perspective view of a basin mixer according to the present invention.
FIG. 2 is a left side view of the basin mixer of FIG. 1.
FIG. 3 is a right side view of the basin mixer of FIG. 1.
FIG. 4 is a front view of the basin mixer of FIG. 1.
FIG. 5 is a rear view of the basin mixer of FIG. 1.
FIG. 6 is a top view of the basin mixer of FIG. 1; and,
FIG. 7 is a bottom view of the basin mixer of FIG. 1.
The dashed lines illustrate environment that does not form a part of the present invention, and no claim is made to the material illustrated with dashed lines.

1 Claim, 7 Drawing Sheets



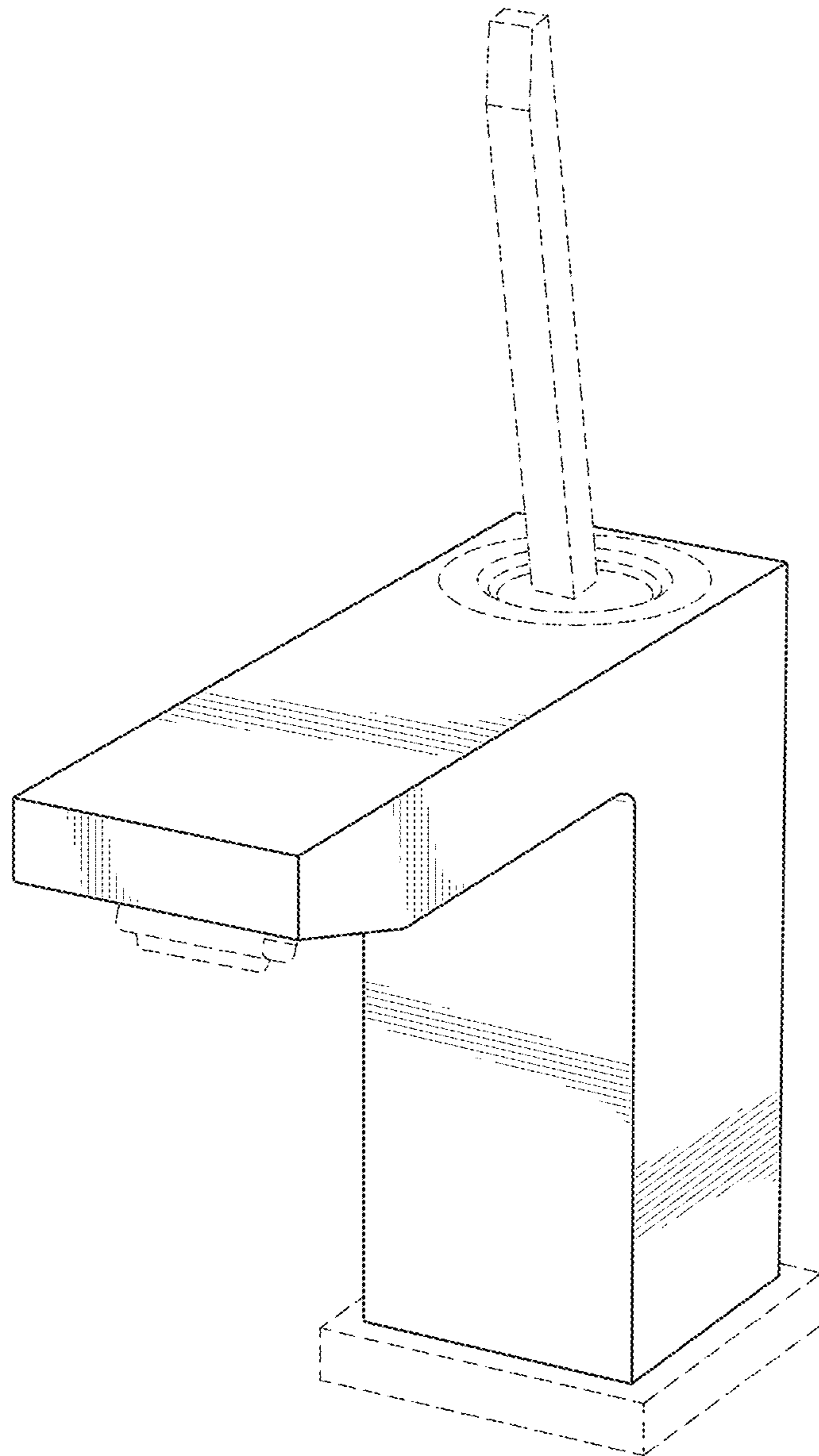


FIG. 1

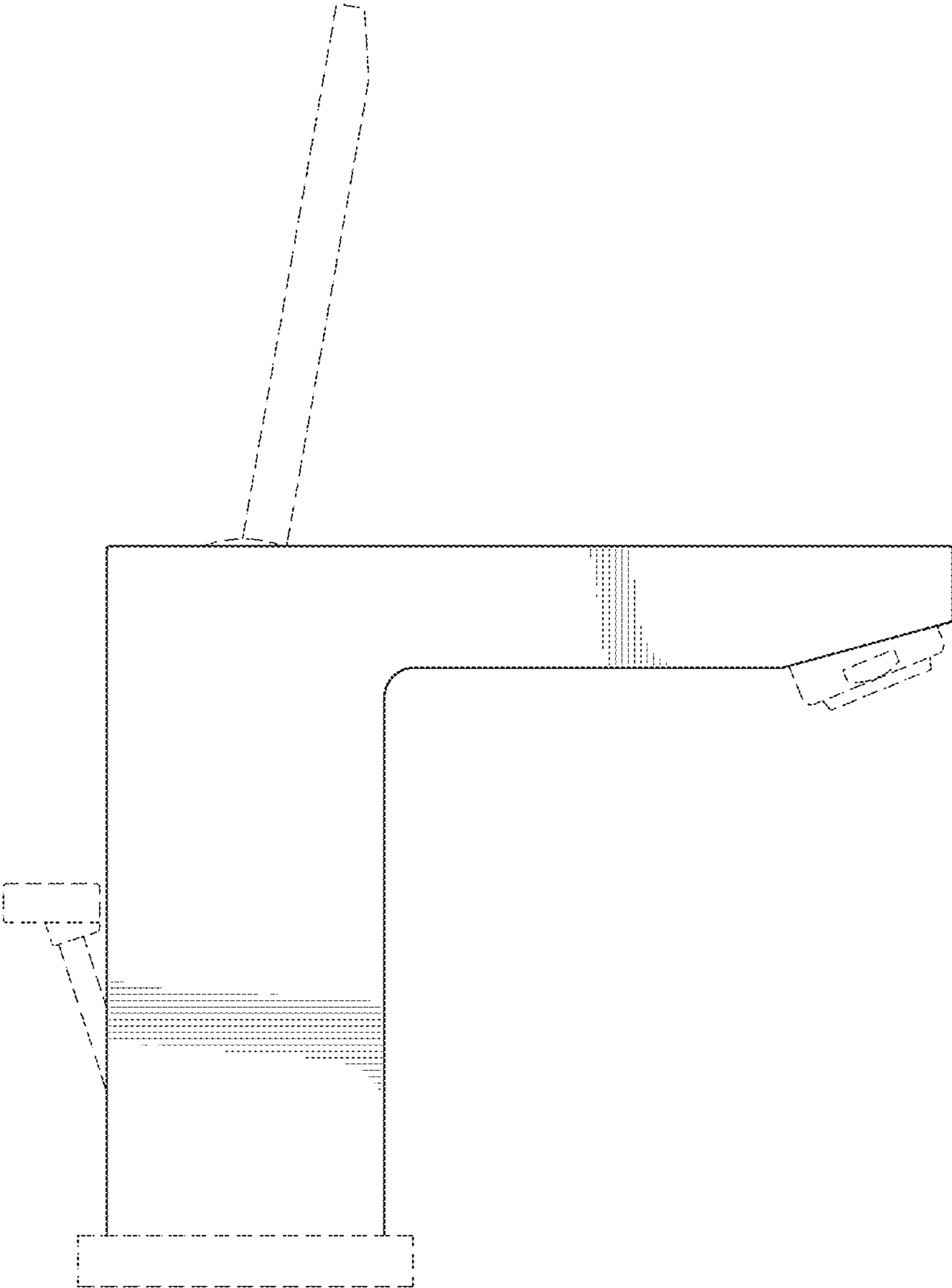


FIG.2

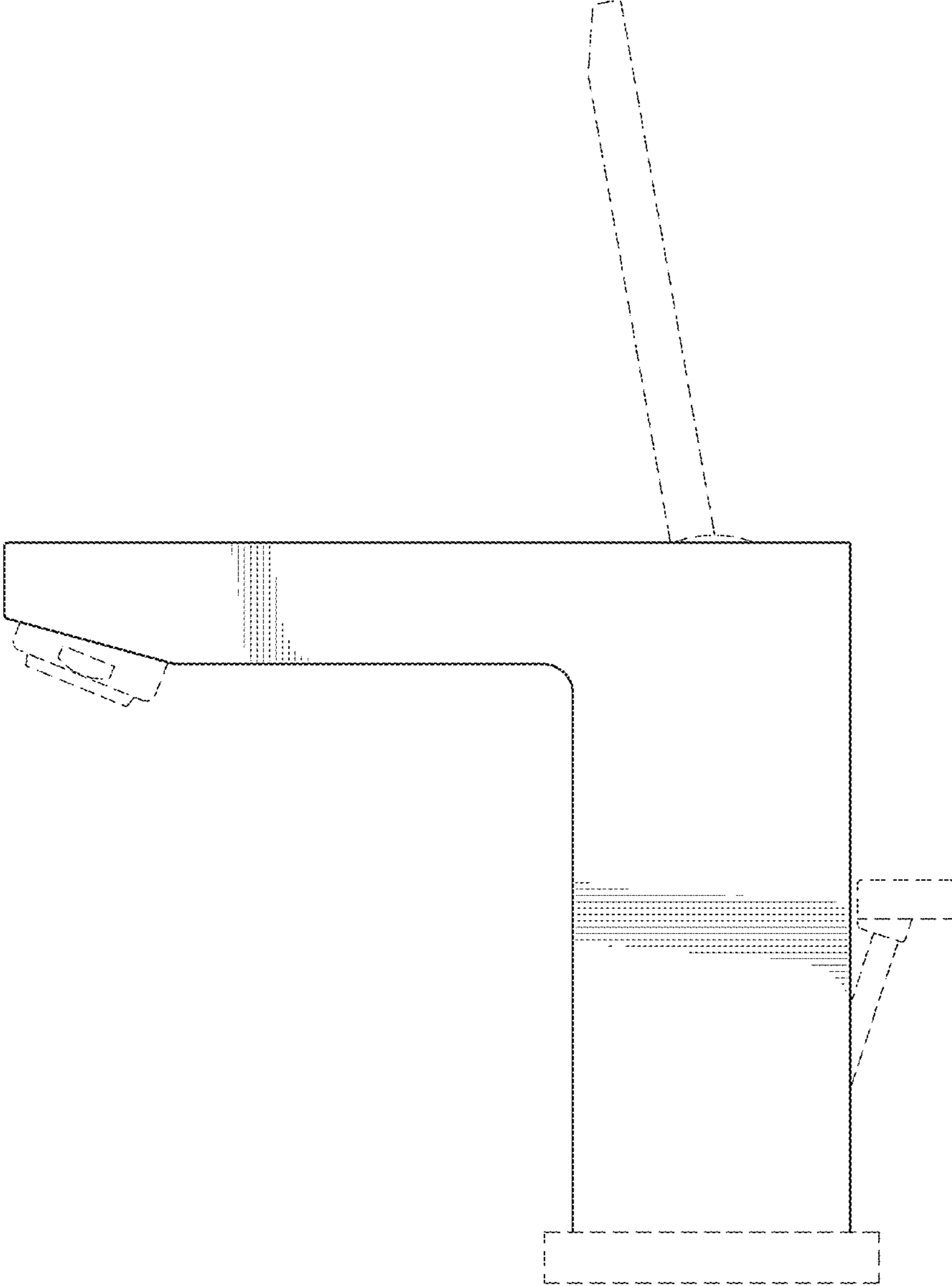


FIG.3

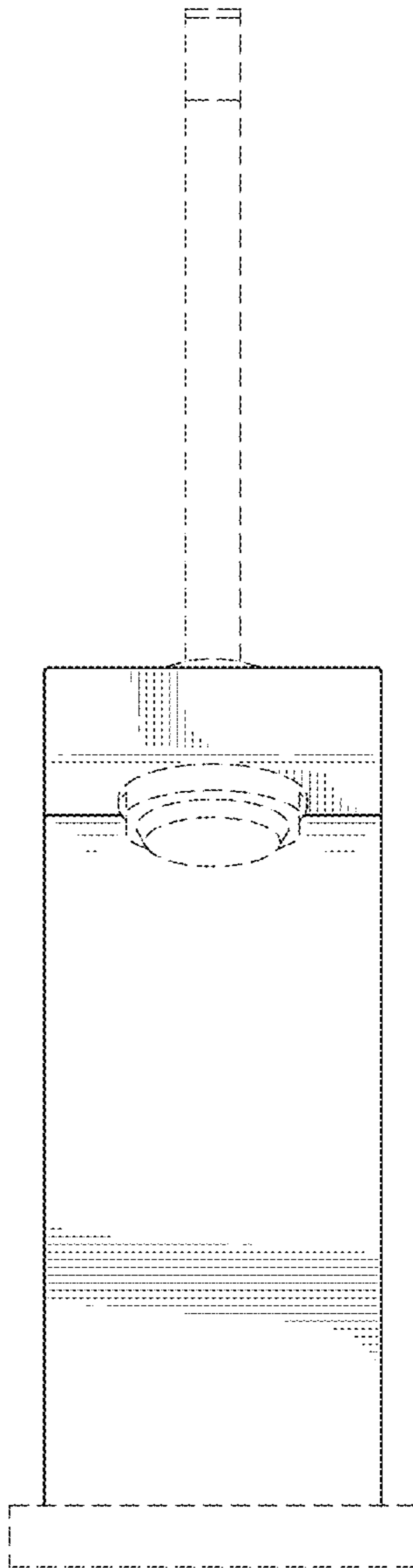


FIG.4

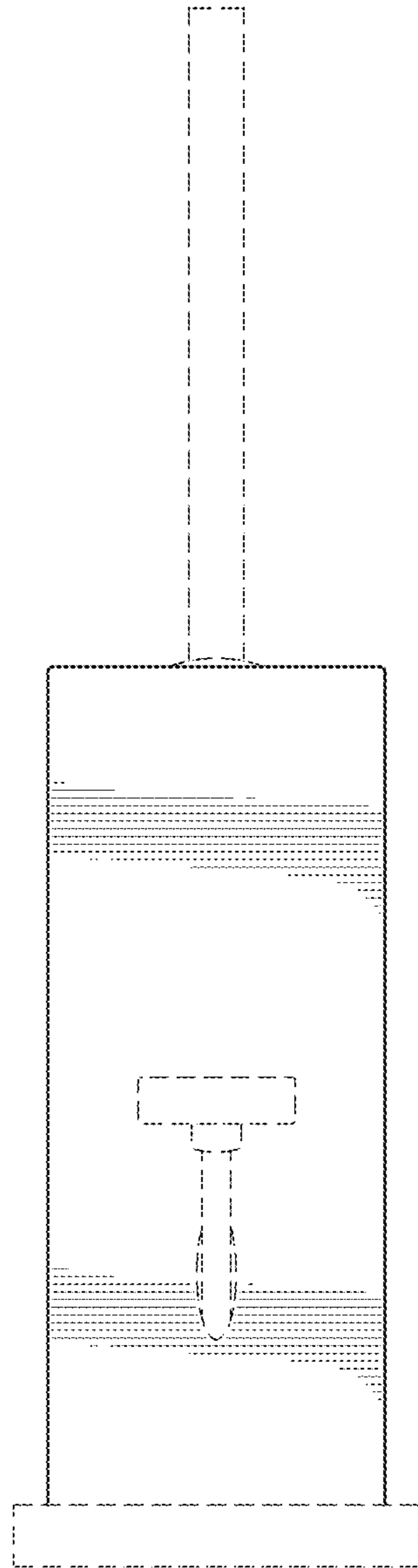


FIG.5

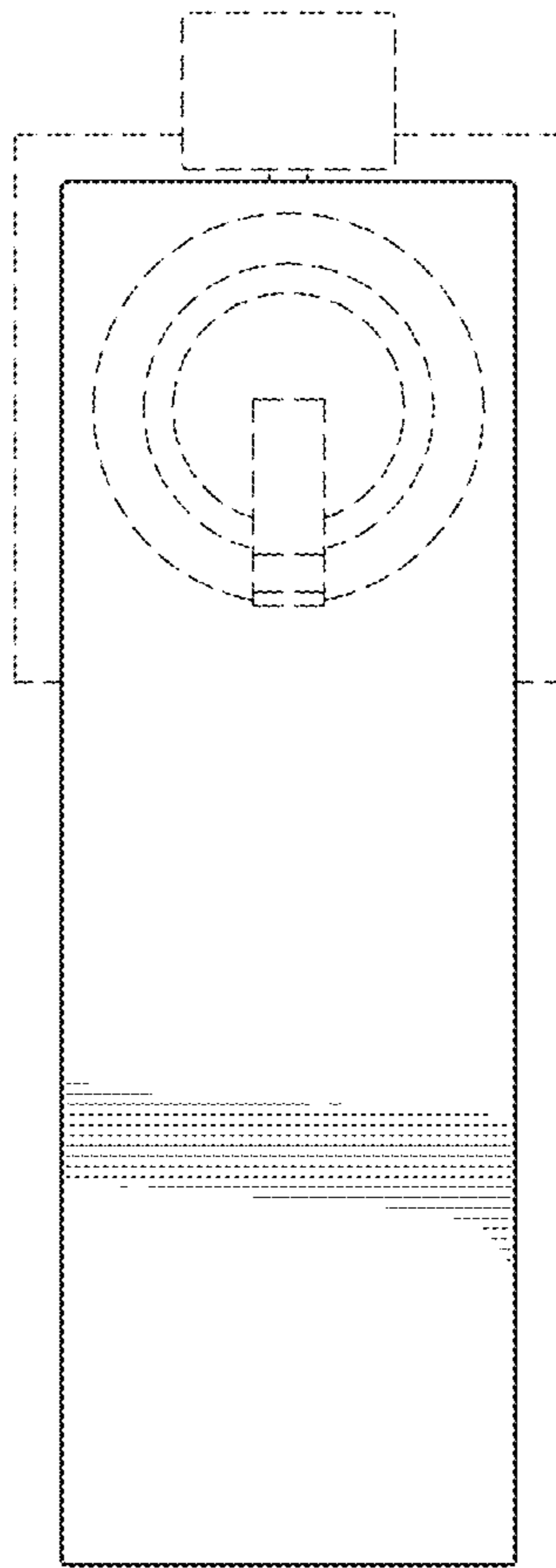


FIG.6

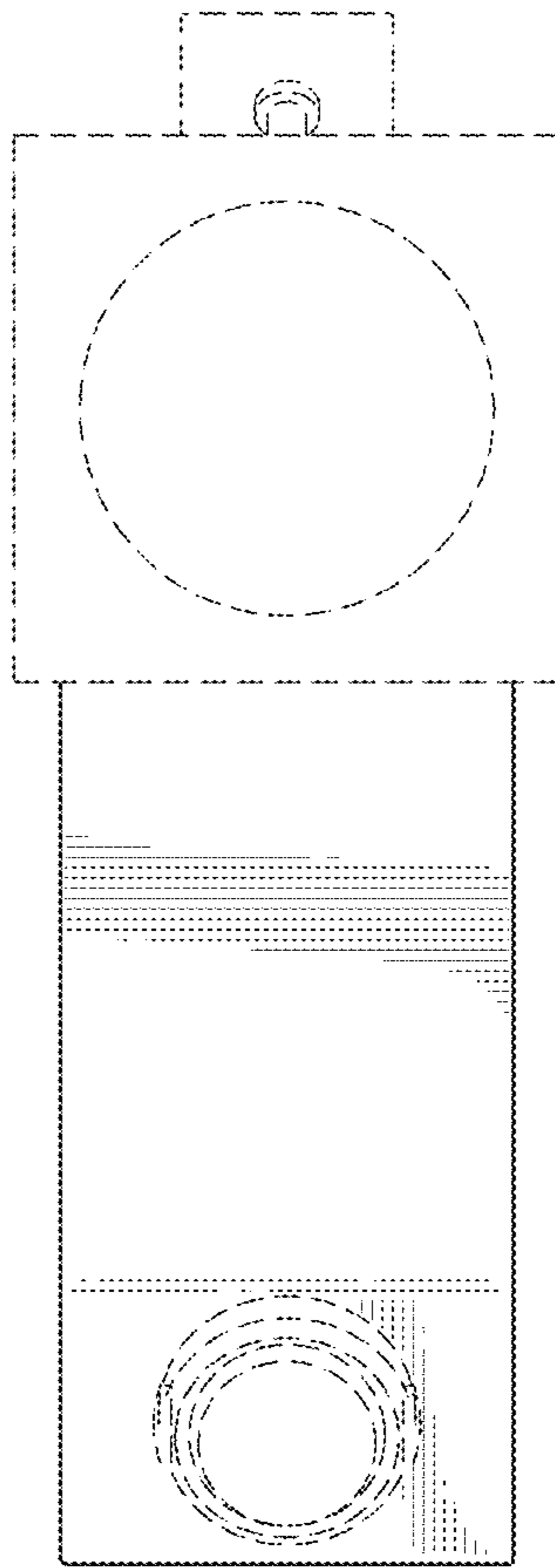


FIG.7