

US00D761940S

(12) **United States Design Patent**
Flowers et al.

(10) **Patent No.:** **US D761,940 S**
(45) **Date of Patent:** **** Jul. 19, 2016**

(54) **PBV**

(71) Applicant: **Grohe AG**, Hemer (DE)

(72) Inventors: **Paul Flowers**, London (GB); **Jochen Allard**, Menden (DE)

(73) Assignee: **Grohe AG**, Hemer (DE)

(**) Term: **15 Years**

(21) Appl. No.: **29/538,920**

(22) Filed: **Sep. 9, 2015**

(30) **Foreign Application Priority Data**

Mar. 10, 2015 (EM) 002649509-0004

(51) **LOC (10) Cl.** **23-02**

(52) **U.S. Cl.**
USPC **D23/252**

(58) **Field of Classification Search**
USPC D23/238, 241-243, 249, 250, 252
CPC E03C 1/04; E03C 1/0401; E03C 1/0402;
E03C 1/0404

See application file for complete search history.

(56) **References Cited**

U.S. PATENT DOCUMENTS

D471,964 S *	3/2003	Bates	D23/252
D482,757 S *	11/2003	Blomstrom	D23/252
D523,530 S *	6/2006	Schaffeld	D23/252
D583,439 S *	12/2008	Spangler	D23/238
D597,178 S *	7/2009	Shieh	D23/252

* cited by examiner

Primary Examiner — Robert Delehanty

(74) *Attorney, Agent, or Firm* — Muncy, Geissler, Olds & Lowe, P.C.

(57) **CLAIM**

The ornamental design for a PBV, as shown and described.

DESCRIPTION

FIG. 1 is a front perspective view of a PBV according to the present invention.

FIG. 2 is a left side view of the PBV of FIG. 1.

FIG. 3 is a right side view of the PBV of FIG. 1.

FIG. 4 is a top view of the PBV of FIG. 1.

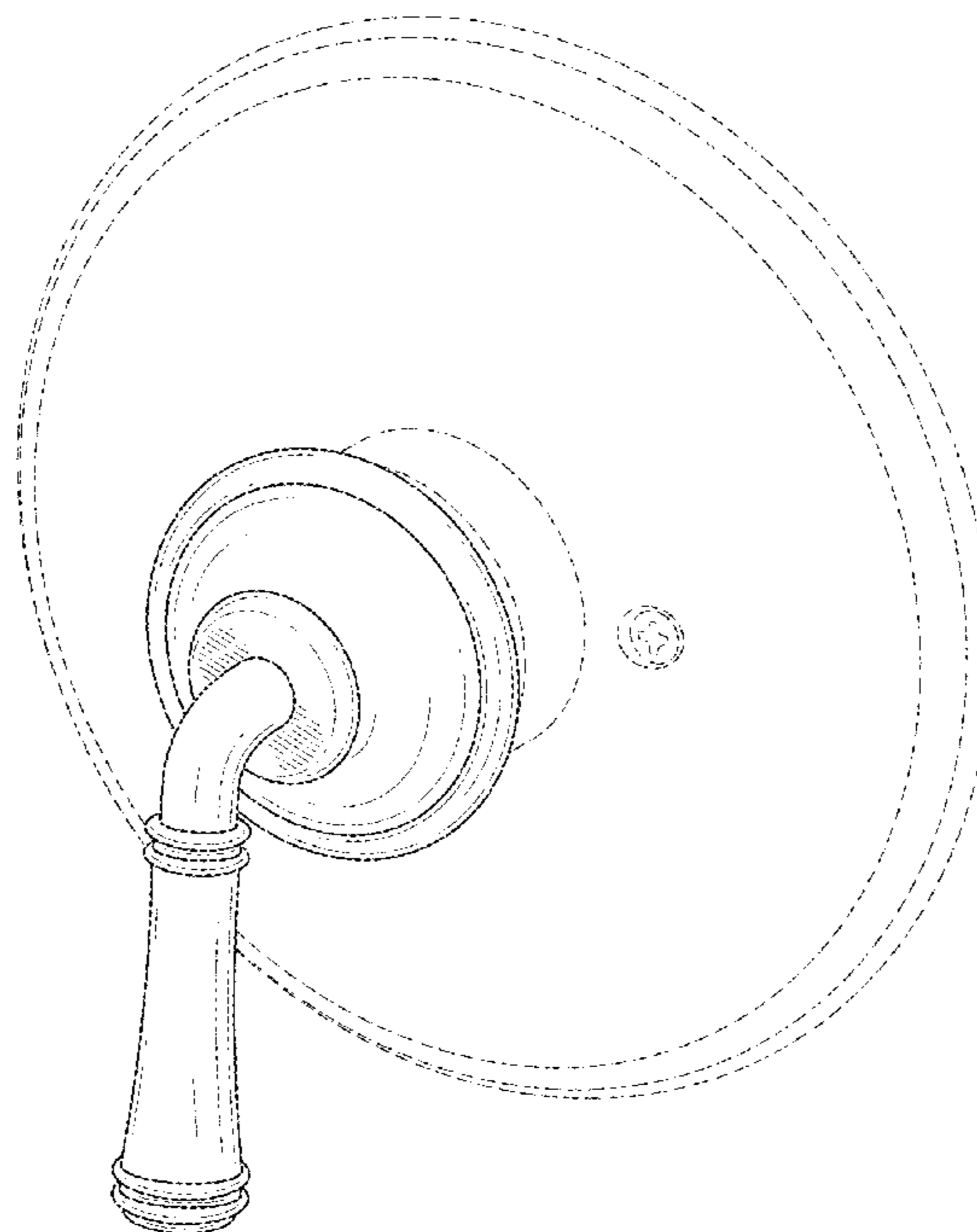
FIG. 5 is a bottom view of the PBV of FIG. 1.

FIG. 6 is a front view of the PBV of FIG. 1; and,

FIG. 7 is a rear view of the PBV of FIG. 1.

The dashed lines illustrate environment that does not form a part of the present invention, and no claim is made to the material illustrated with dashed lines.

1 Claim, 7 Drawing Sheets



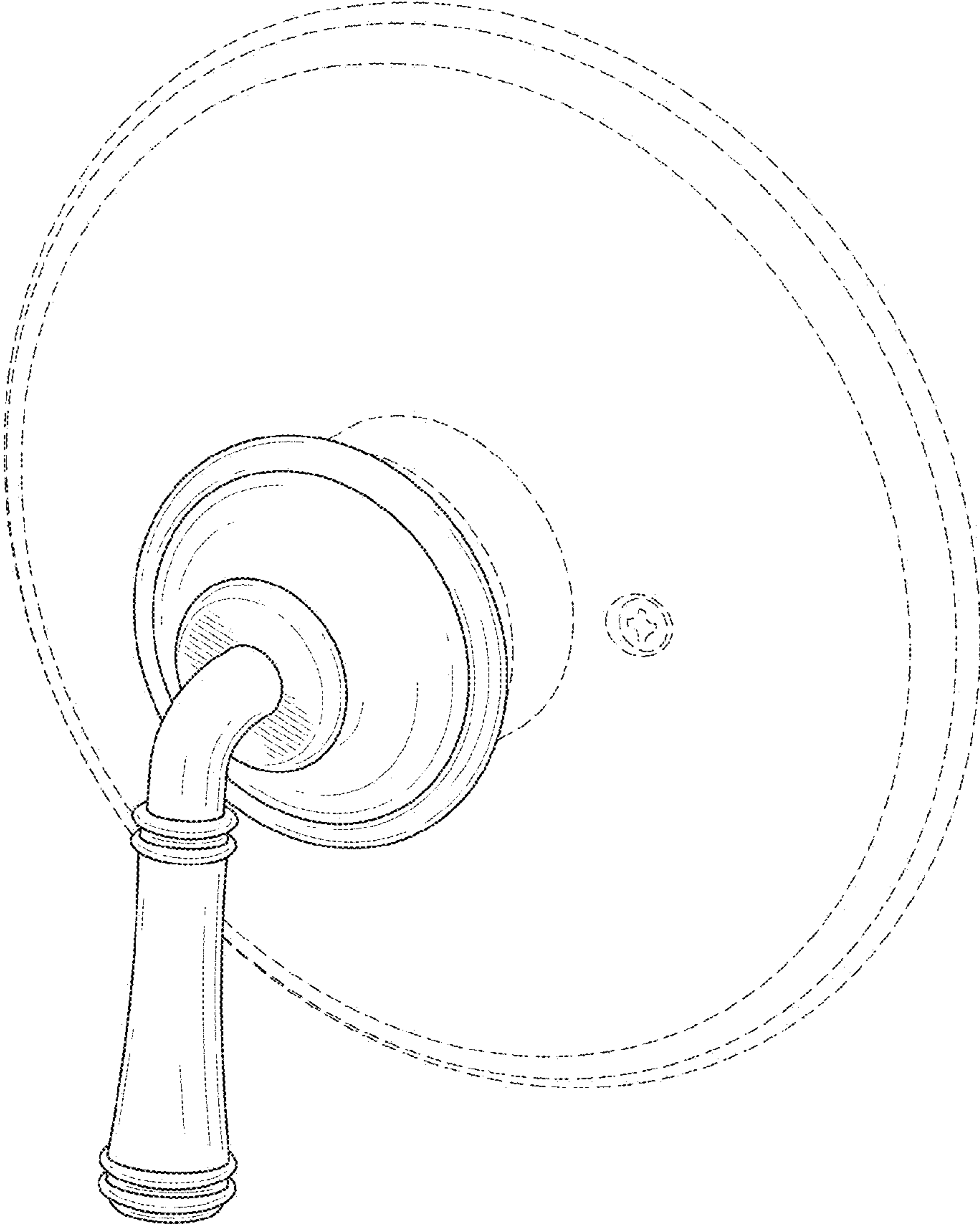


FIG.1

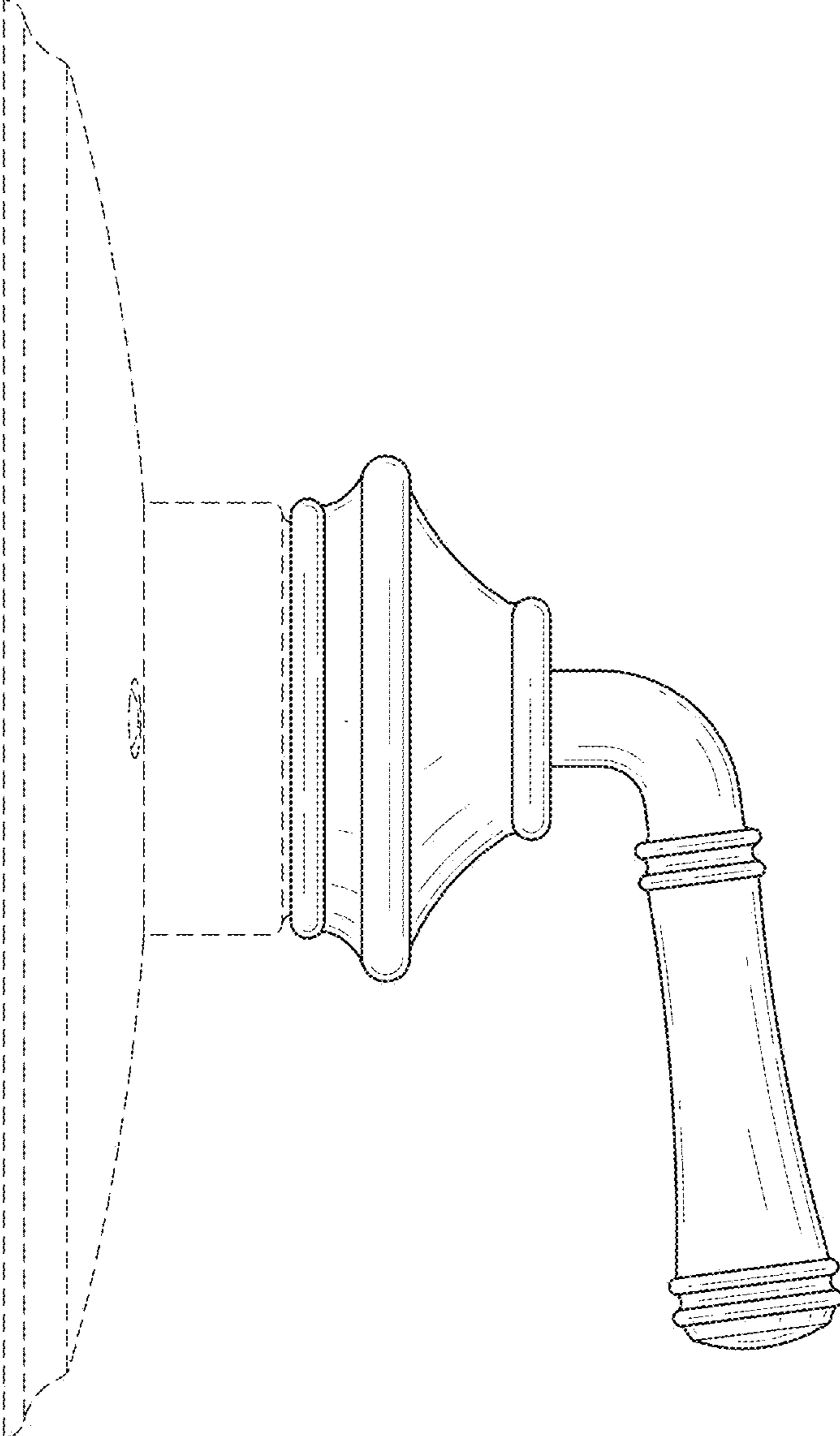


FIG.2

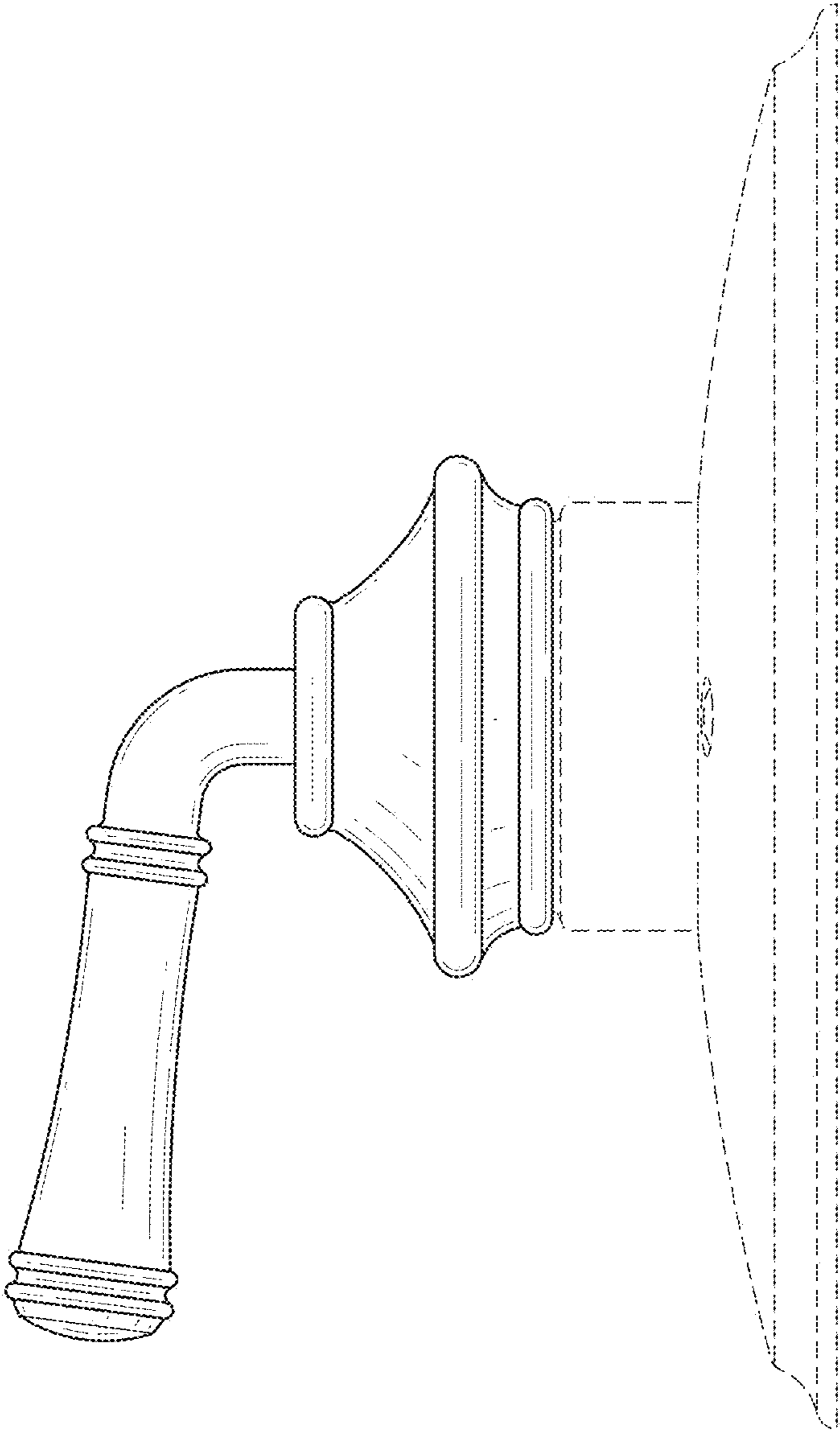


FIG.3

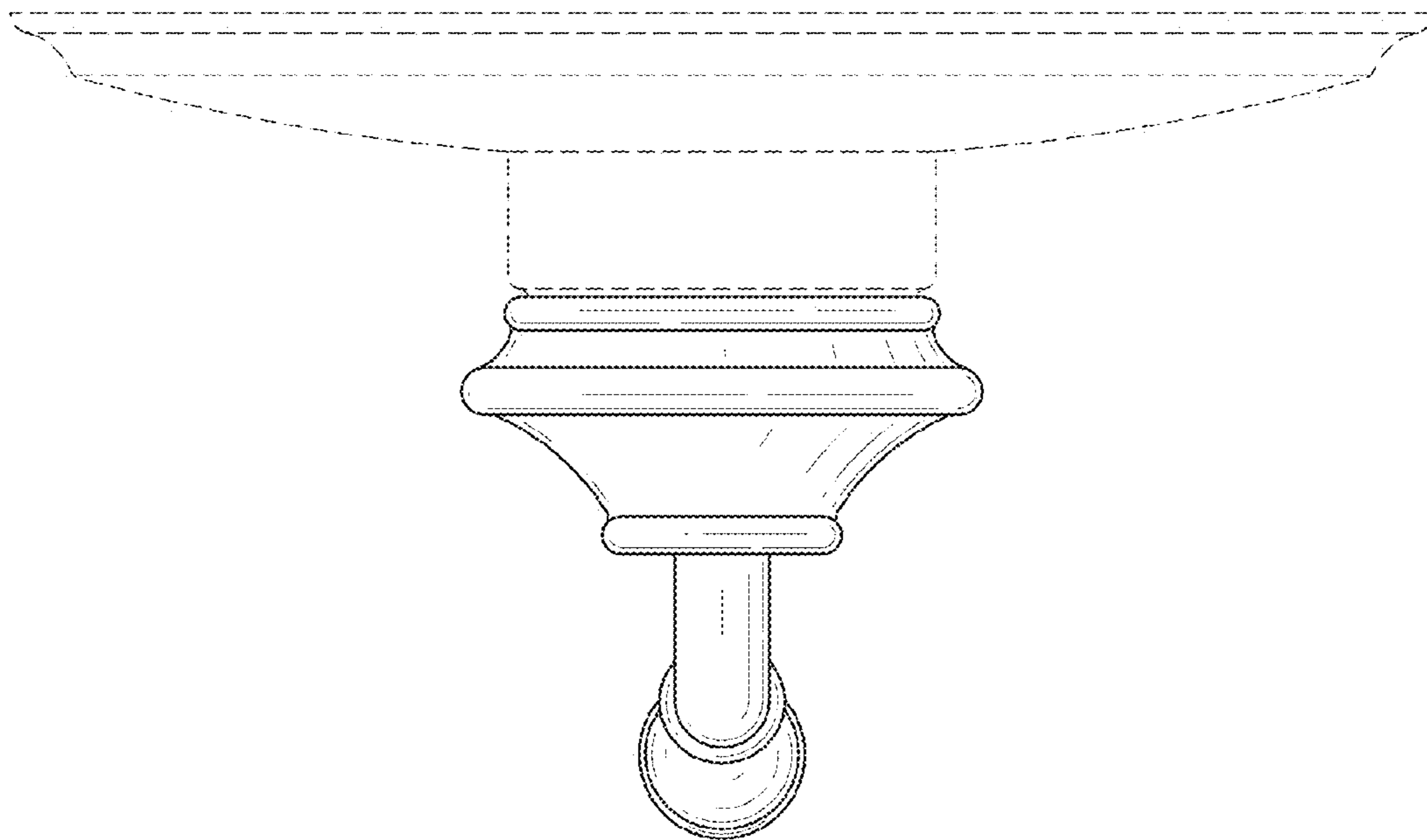


FIG.4

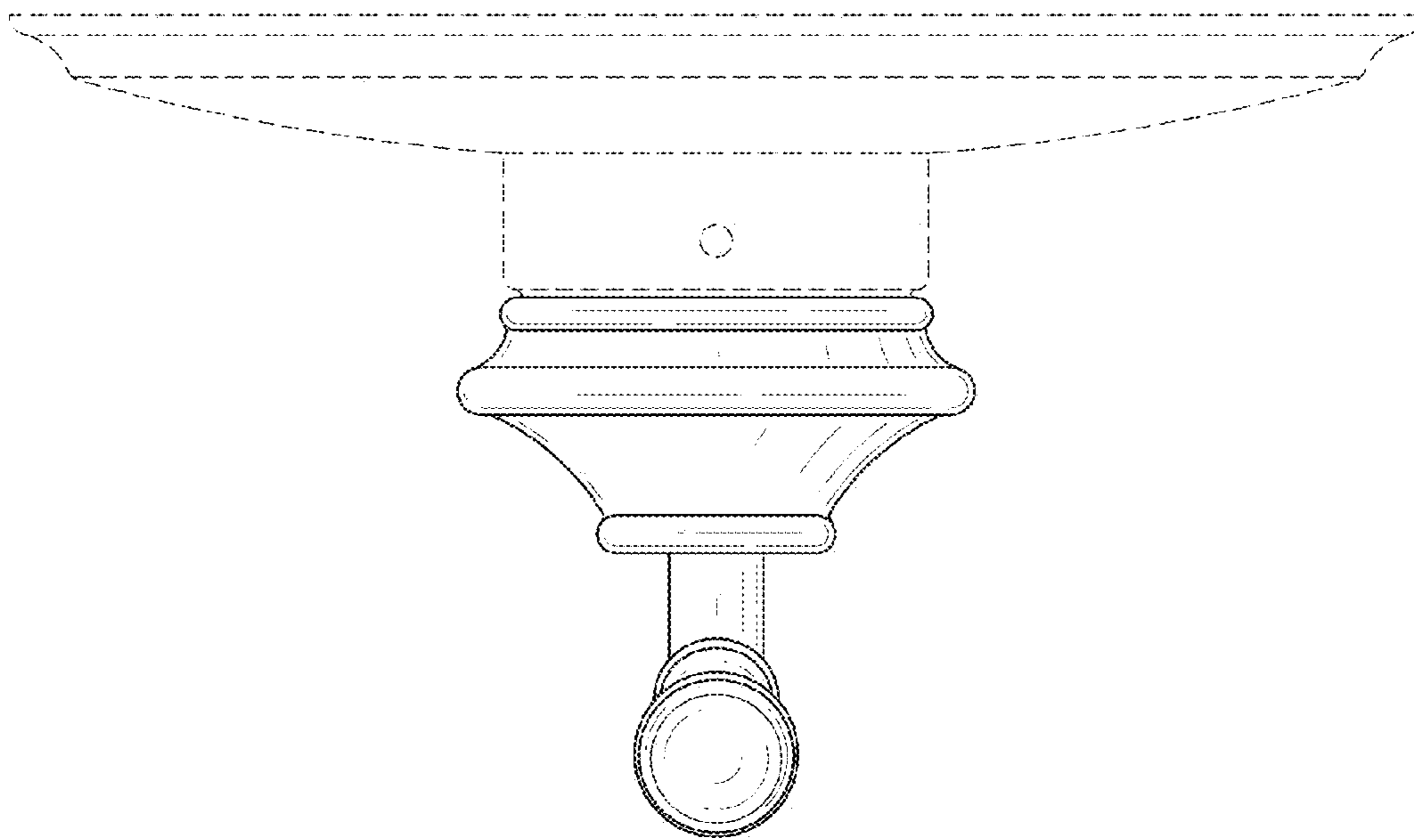


FIG. 5

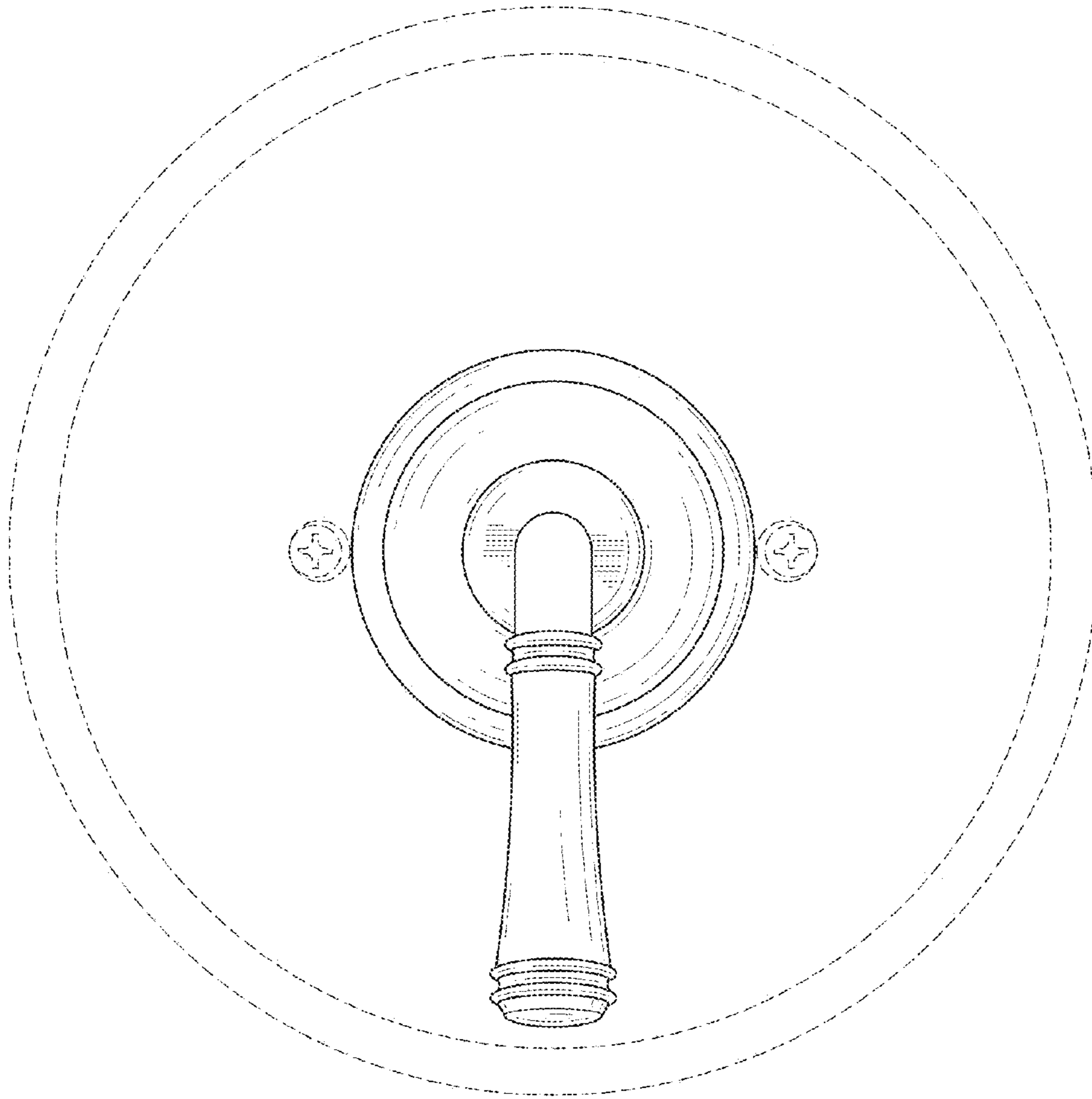


FIG. 6

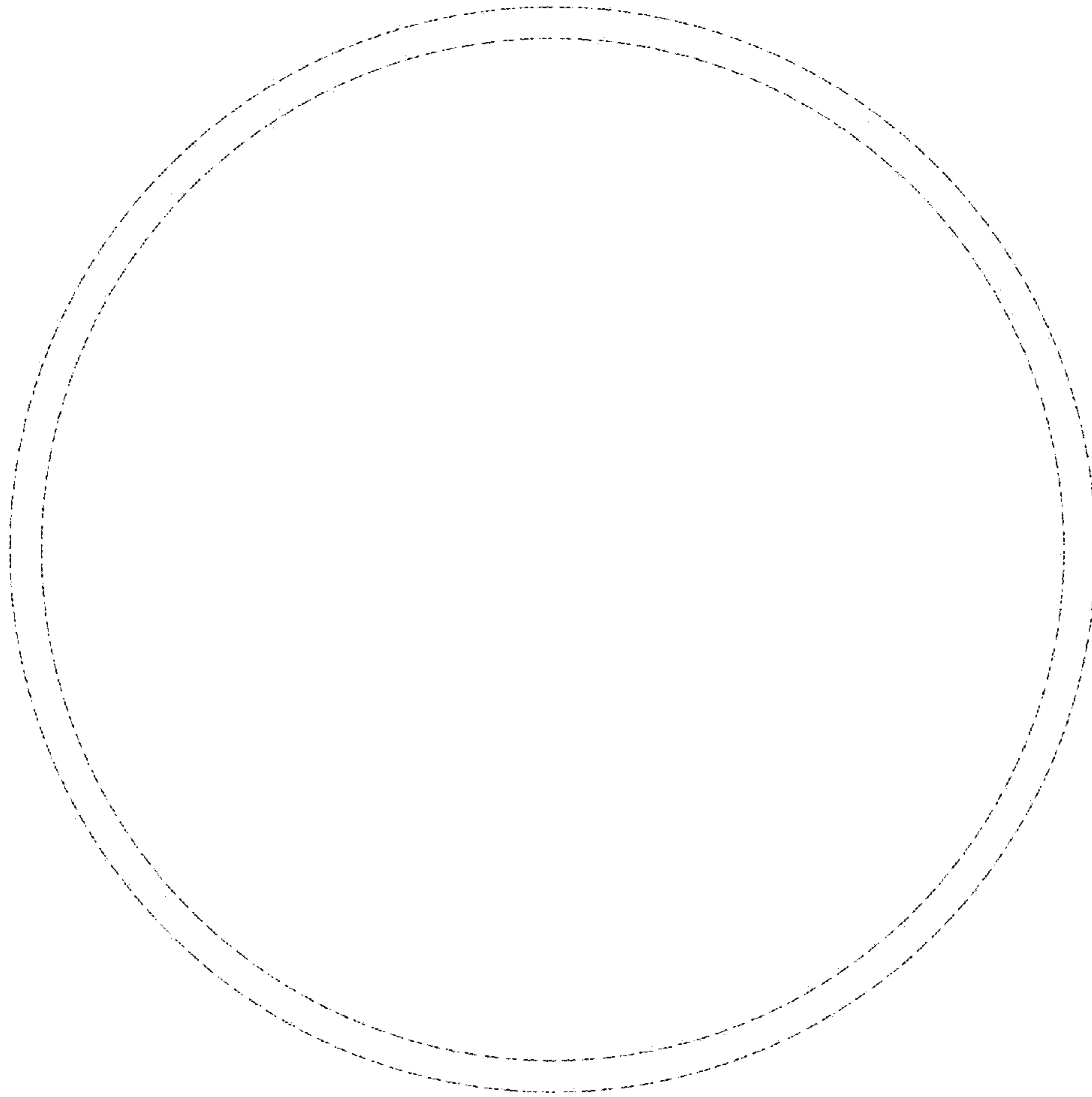


FIG.7