

US00D761939S

(12) **United States Design Patent**
Kondo et al.

(10) **Patent No.:** **US D761,939 S**
(45) **Date of Patent:** **** Jul. 19, 2016**

(54) **VALVE**

(71) Applicant: **FUJIKIN INCORPORATED,**
Osaka-shi, Osaka (JP)

(72) Inventors: **Kenta Kondo,** Osaka (JP); **Izuru Shikata,** Osaka (JP)

(73) Assignee: **FUJIKIN INCORPORATED,**
Osaka-Shi, Osaka (JP)

(**) Term: **14 Years**

(21) Appl. No.: **29/512,937**

(22) Filed: **Dec. 23, 2014**

(30) **Foreign Application Priority Data**

Jun. 27, 2014 (JP) 2014-14204

(51) **LOC (10) Cl.** **23-01**

(52) **U.S. Cl.**
USPC **D23/233**

(58) **Field of Classification Search**
USPC D23/233-237, 244-249; 137/625.64,
137/85, 909; 251/129.01, 129.11, 129.15,
251/149.8
CPC .. F16K 31/0658; F16K 31/0675; F16K 31/06
See application file for complete search history.

(56) **References Cited**

U.S. PATENT DOCUMENTS

1,704,950 A * 3/1929 Price F16K 27/02
251/224
D287,044 S * 12/1986 Hughes D23/235
D301,915 S * 6/1989 Fisher D23/233
D301,916 S * 6/1989 Fisher D23/233
D331,449 S * 12/1992 Adishian D23/233
D332,822 S * 1/1993 Reid D23/233

D476,718 S * 7/2003 Ferrer Beltran D23/209
D502,762 S * 3/2005 Kriegshauser D23/233
D620,553 S * 7/2010 Li D23/233
D633,177 S * 2/2011 Jeong D23/233
D714,910 S * 10/2014 Roden D23/233
D738,463 S * 9/2015 Yoshida D23/233
D738,465 S * 9/2015 Yoshida D23/233
D738,466 S * 9/2015 Yoshida D23/233
2009/0272194 A1 * 11/2009 Weingarten G01F 15/005
73/700

OTHER PUBLICATIONS

Notification of Reasons for Rejection issued by Japan Patent Office on Jan. 16 2015 for Japanese Design Application No. 2014-14205 that is a priority application of Design U.S. Appl. No. 29/512,942.

* cited by examiner

Primary Examiner — Cynthia Ramirez

(74) *Attorney, Agent, or Firm* — Mossman, Kumar & Tyler PC

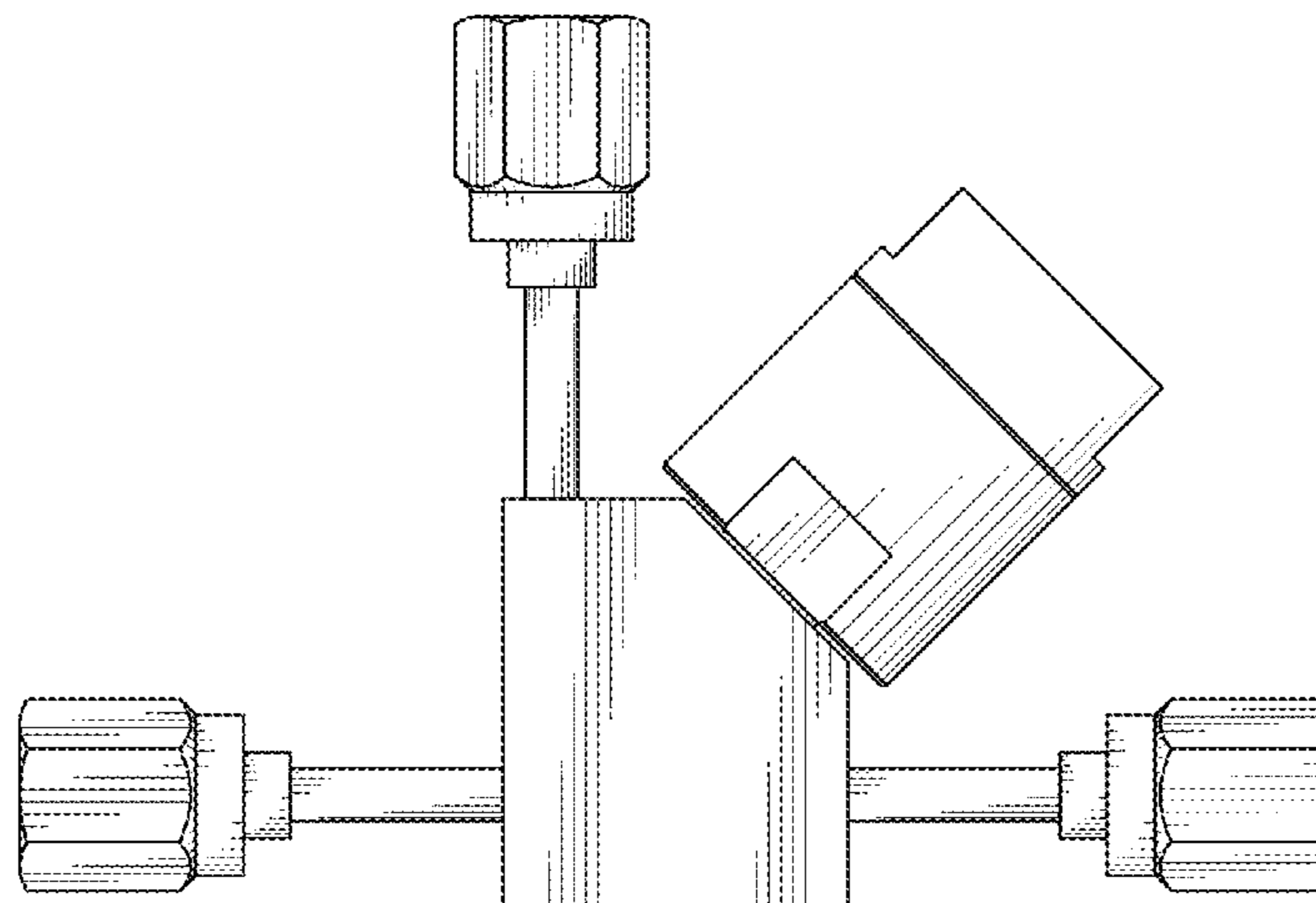
(57) **CLAIM**

The ornamental design for a valve, as shown and described.

DESCRIPTION

FIG. 1 shows a front view of a valve showing the new design; FIG. 2 shows a rear view thereof; FIG. 3 shows a left side view thereof; FIG. 4 shows a right side view thereof; FIG. 5 shows a top view thereof; FIG. 6 shows a bottom view thereof; FIG. 7 shows a Reference Front view thereof indicating cutting face directions; FIG. 8 shows a bottom cross-sectional view along lines 8-8 in FIG. 7; and, FIG. 9 shows a left side cross-sectional view along lines 9-9 in FIG. 7.

1 Claim, 5 Drawing Sheets



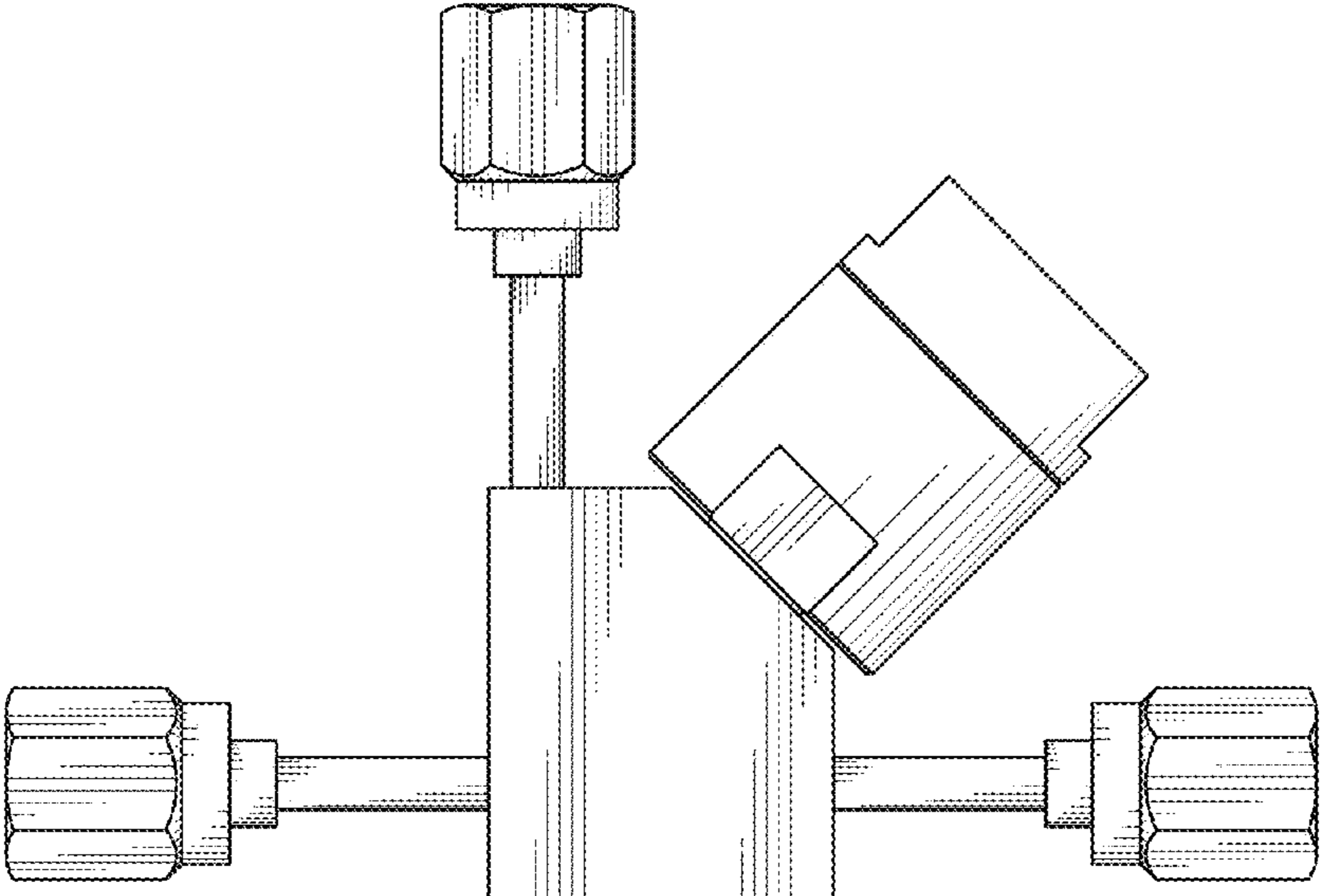


FIG. 1

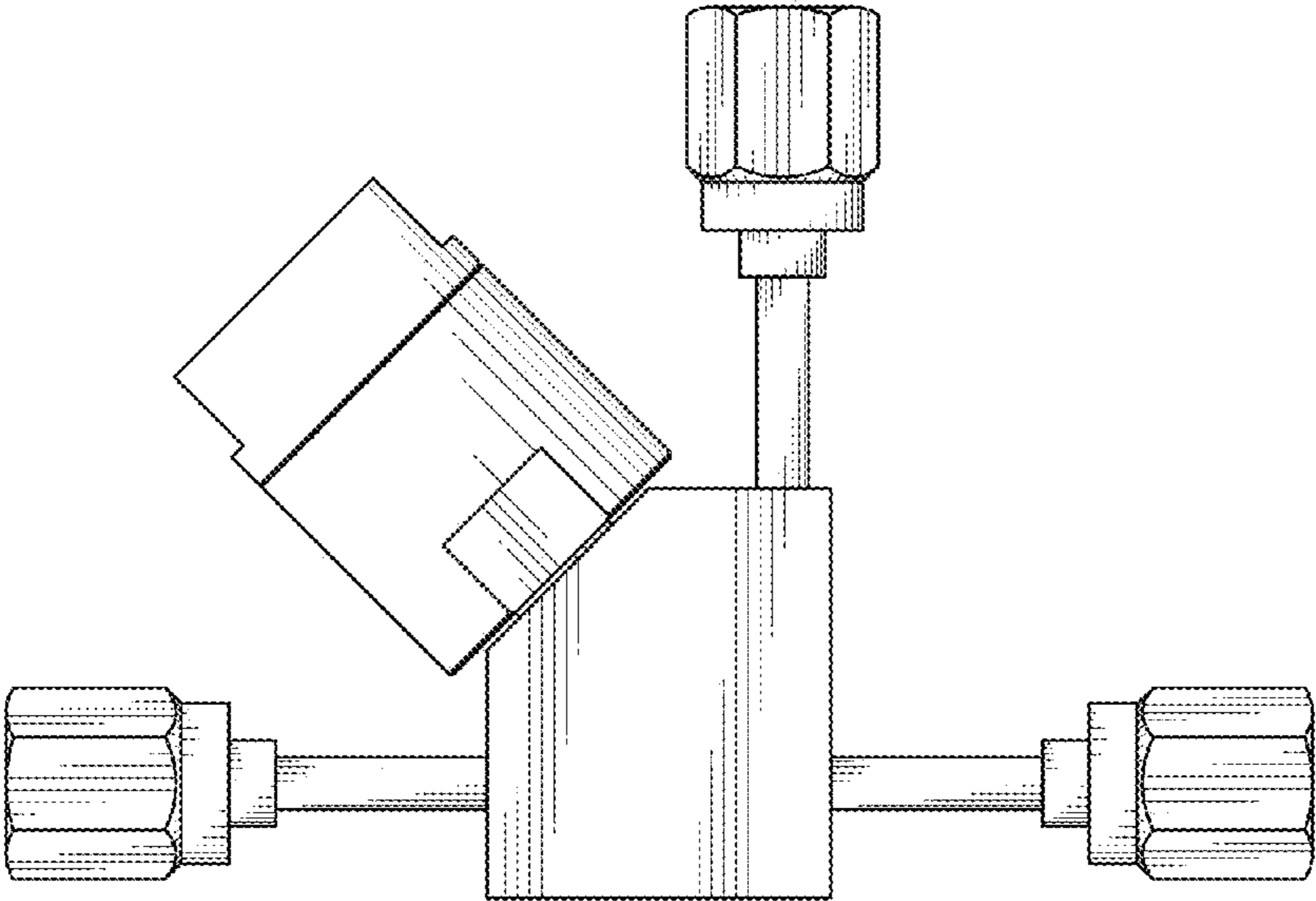


FIG. 2

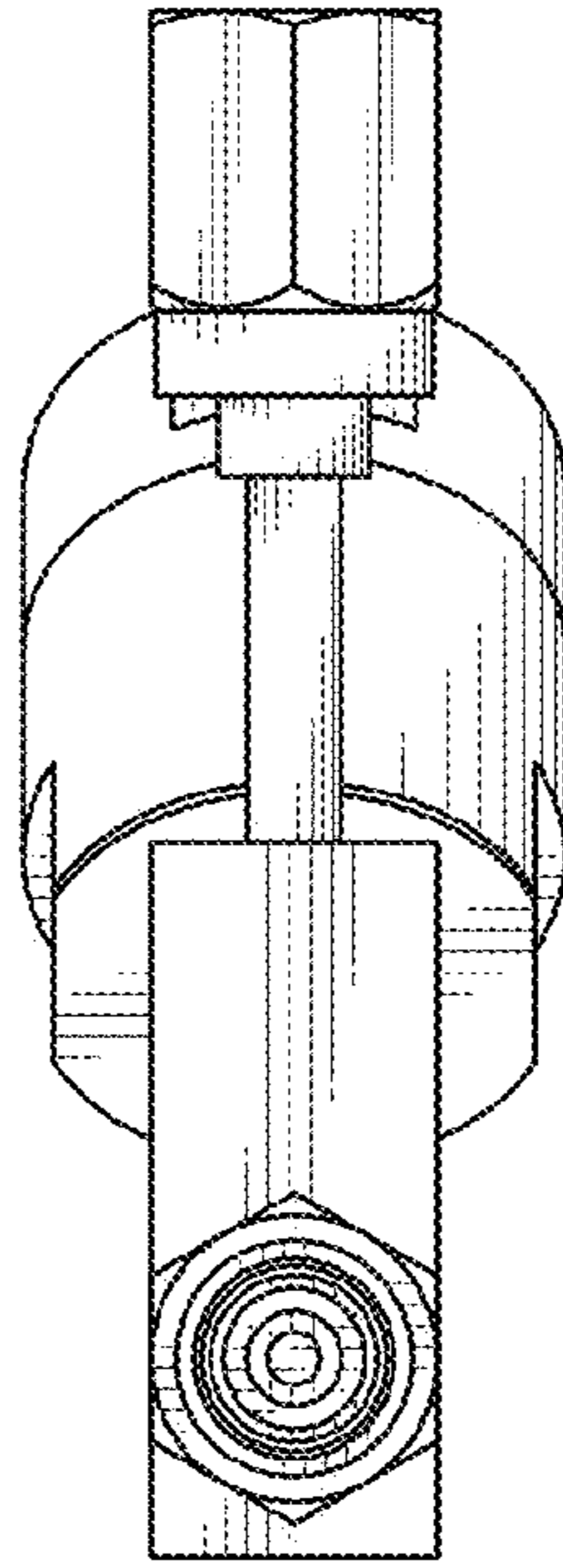


FIG. 3

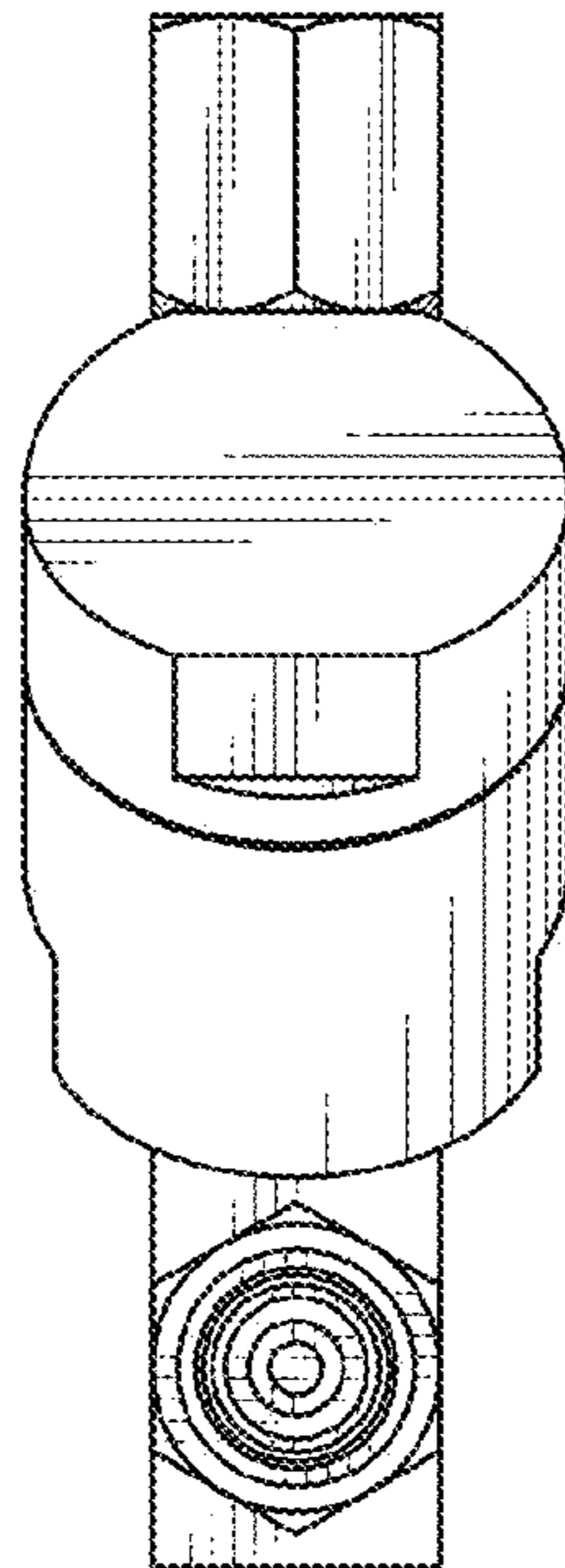


FIG. 4

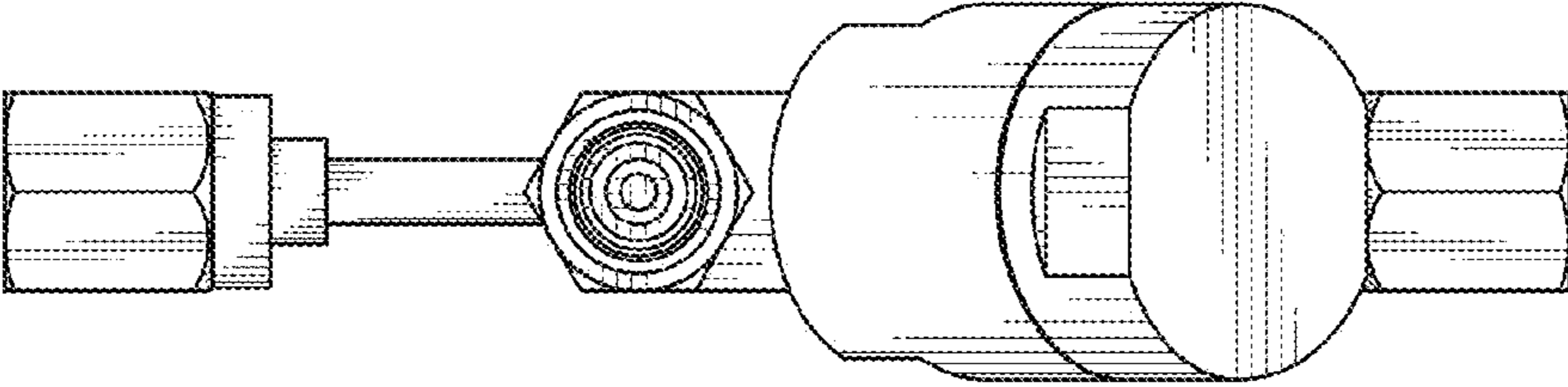


FIG. 5

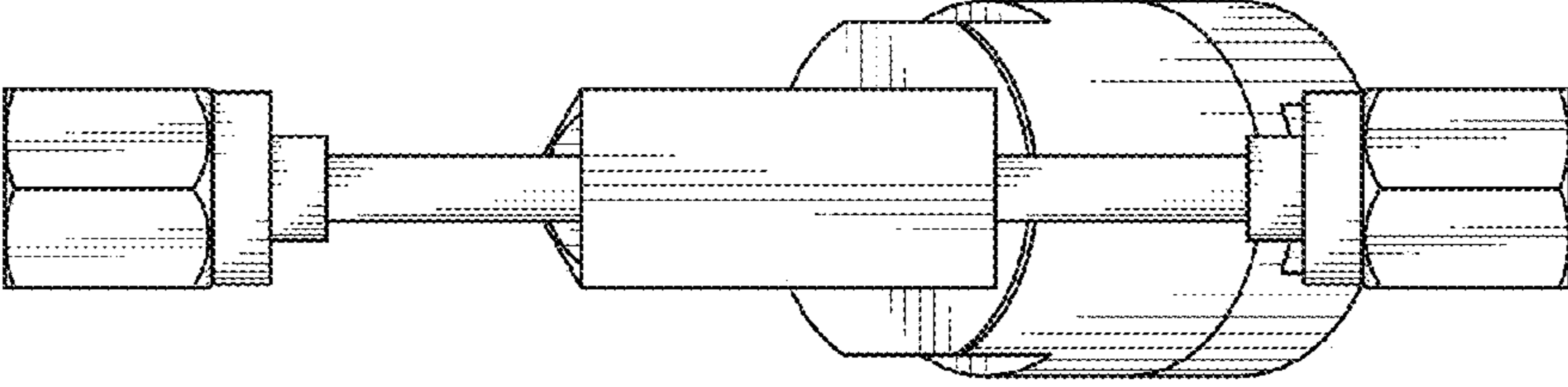


FIG. 6

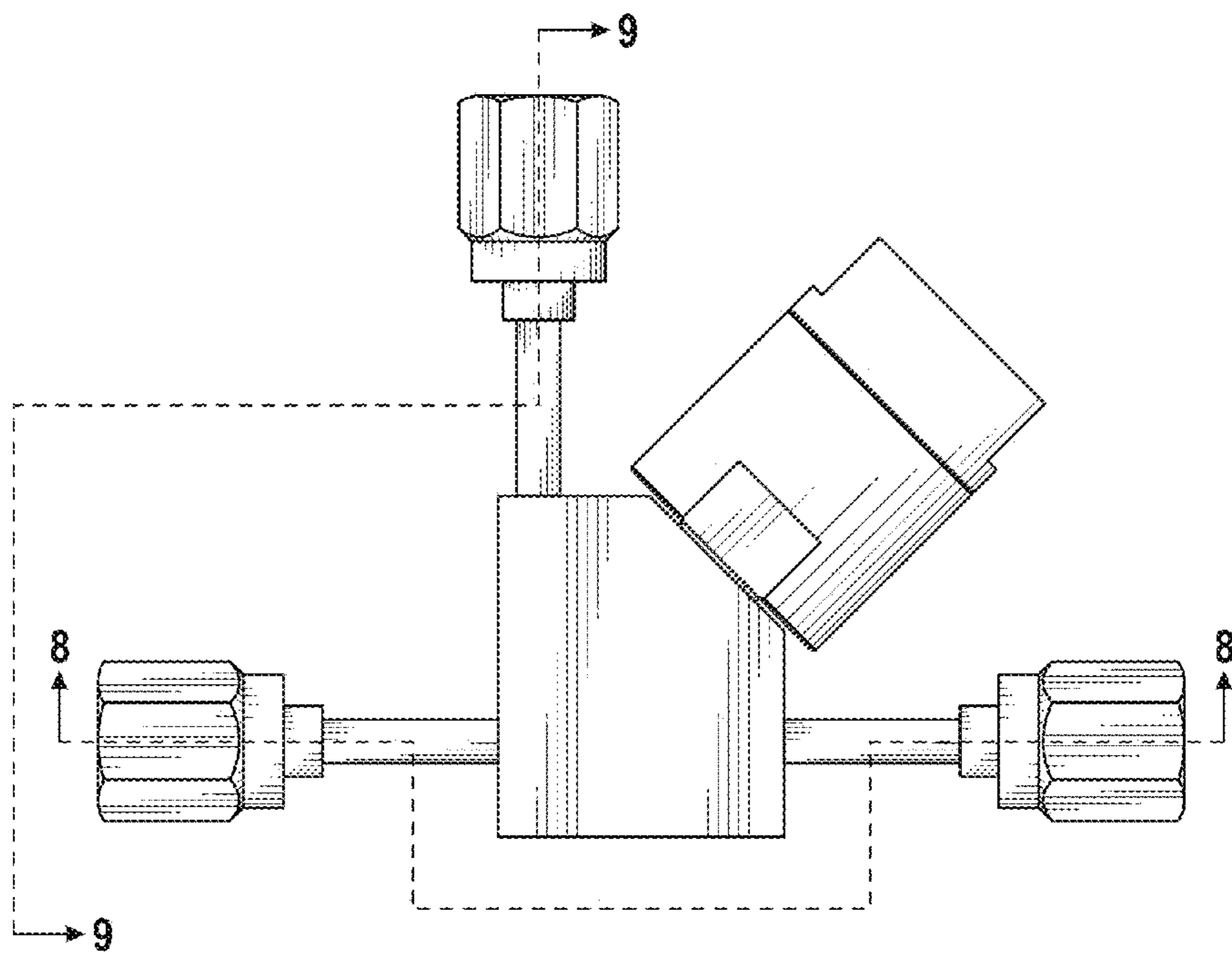


FIG. 7

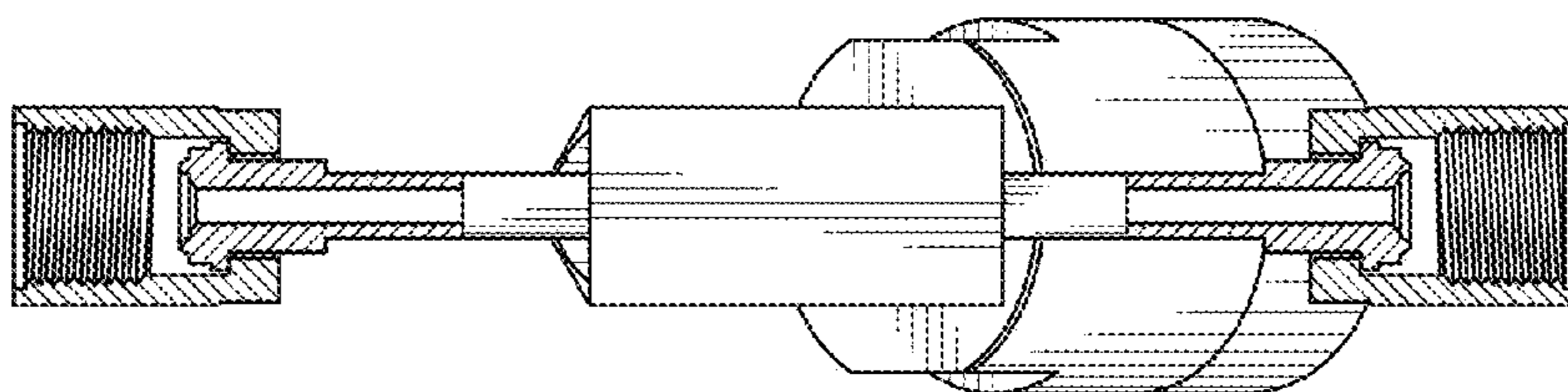


FIG. 8

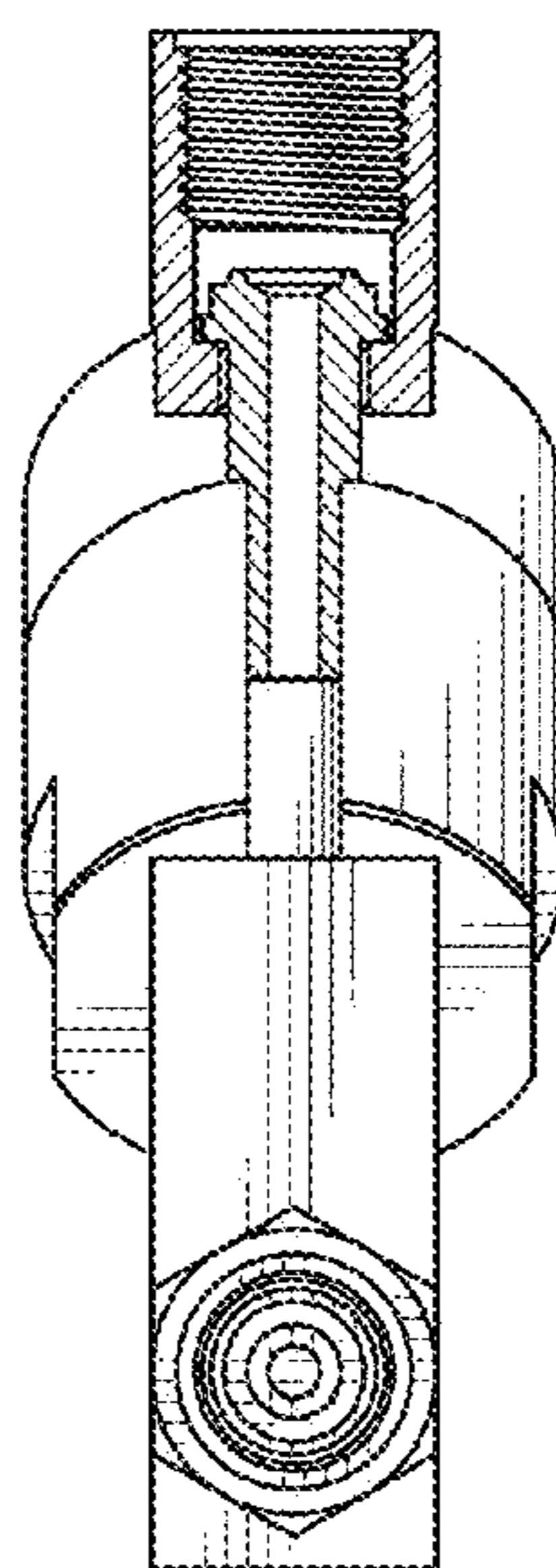


FIG. 9