



US00D761938S

(12) **United States Design Patent**  
**Pifer et al.**

(10) **Patent No.:** **US D761,938 S**  
(45) **Date of Patent:** **\*\* Jul. 19, 2016**

(54) **FUEL TANK VENT VALVE ASSEMBLY**

(56)

**References Cited**

(71) Applicant: **Eaton Corporation**, Cleveland, OH  
(US)  
(72) Inventors: **Daniel Lee Pifer**, Chelsea, MI (US);  
**Christy N. Roadknight**, Royal Oak, MI  
(US); **Jim James**, Ann Arbor, MI (US)  
(73) Assignee: **Eaton Corporation**, Cleveland, OH  
(US)  
(\*\*) Term: **14 Years**

U.S. PATENT DOCUMENTS

7,255,131	B2 *	8/2007	Paper et al.	137/625.47
D634,813	S *	3/2011	Hernandez, IV	D23/233
D639,825	S *	6/2011	Murakami et al.	D15/5
D655,393	S *	3/2012	Whitaker	D23/233
D656,223	S *	3/2012	Cronje et al.	D23/233
D675,714	S *	2/2013	Nguyen	D23/233
D681,782	S *	5/2013	Bohm et al.	D23/233
D691,240	S *	10/2013	Iranyi et al.	D23/233
D691,701	S *	10/2013	Iranyi et al.	D23/233
D691,702	S *	10/2013	Iranyi et al.	D23/233
D691,703	S *	10/2013	Iranyi et al.	D23/233
D702,320	S *	4/2014	Pifer	D23/233
D721,788	S *	1/2015	Pifer	D23/233

\* cited by examiner

(21) Appl. No.: **29/482,025**

(22) Filed: **Feb. 13, 2014**

*Primary Examiner* — Cynthia Ramirez

(74) *Attorney, Agent, or Firm* — Quinn Law Group, PLLC

**Related U.S. Application Data**

(63) Continuation-in-part of application No. 29/409,405,  
filed on Dec. 22, 2011, now Pat. No. Des. 702,320.

(51) **LOC (10) Cl.** ..... **23-01**

(52) **U.S. Cl.**  
USPC ..... **D23/233**

(58) **Field of Classification Search**  
USPC ..... D23/233-237, 244-249; 417/411;  
137/140, 636.3, 636.2, 625.4, 625.41,  
137/625.17, 625.65  
CPC ... F16K 11/18; F16K 11/0565; F16K 11/168;  
F16K 11/087; F16K 11/20; F16K 11/027

See application file for complete search history.

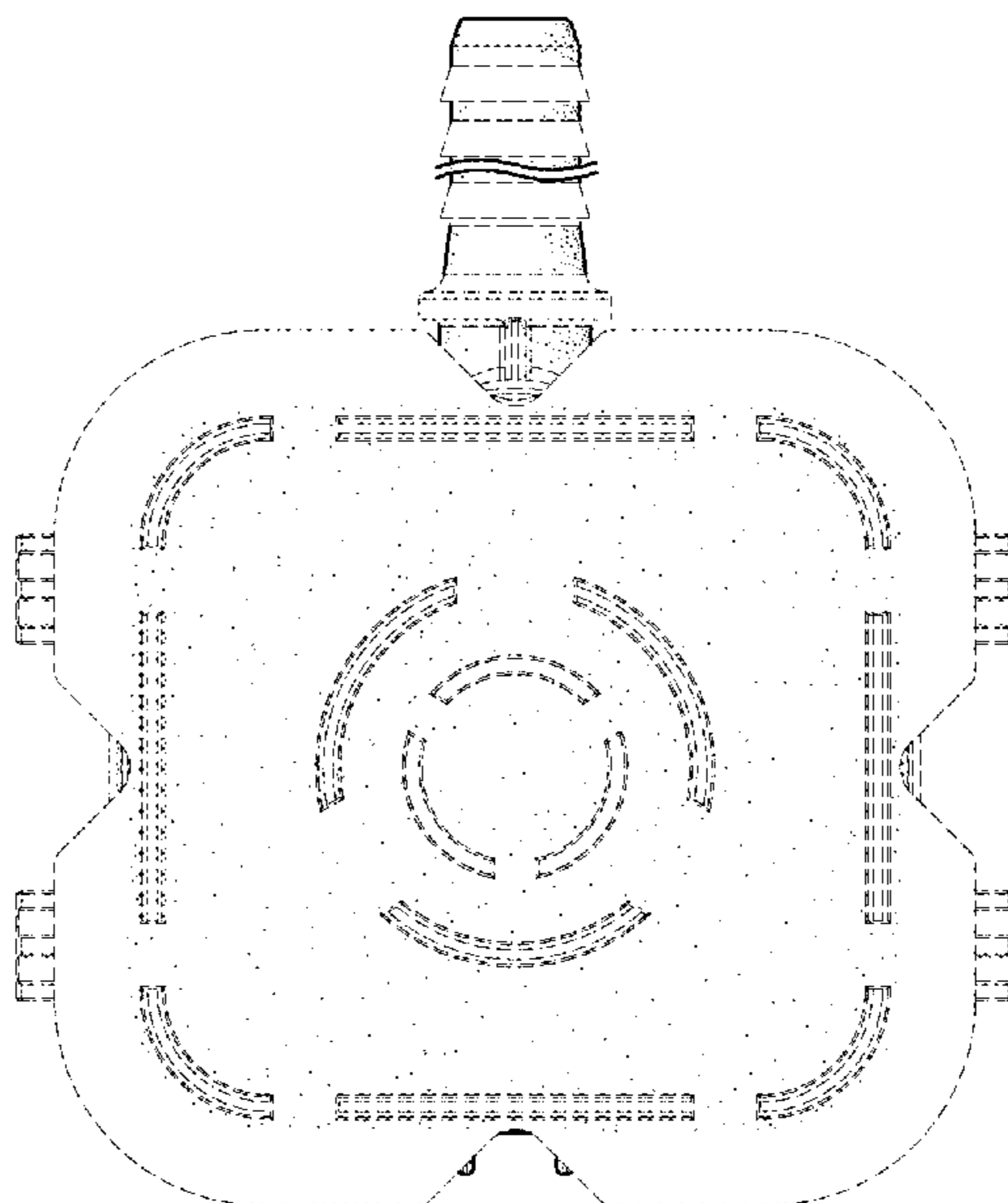
(57) **CLAIM**

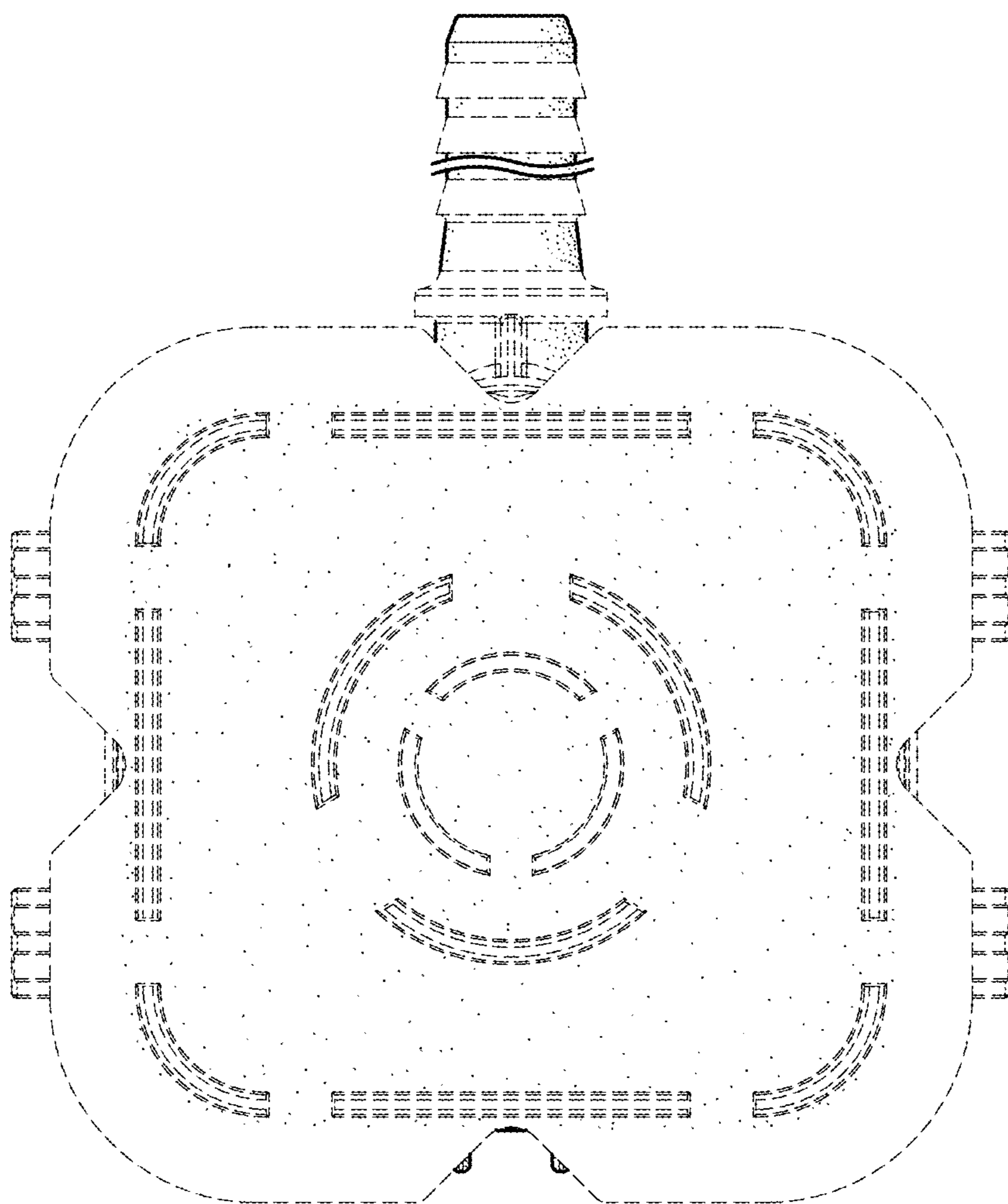
The ornamental design for a fuel tank vent valve assembly, as shown and described.

**DESCRIPTION**

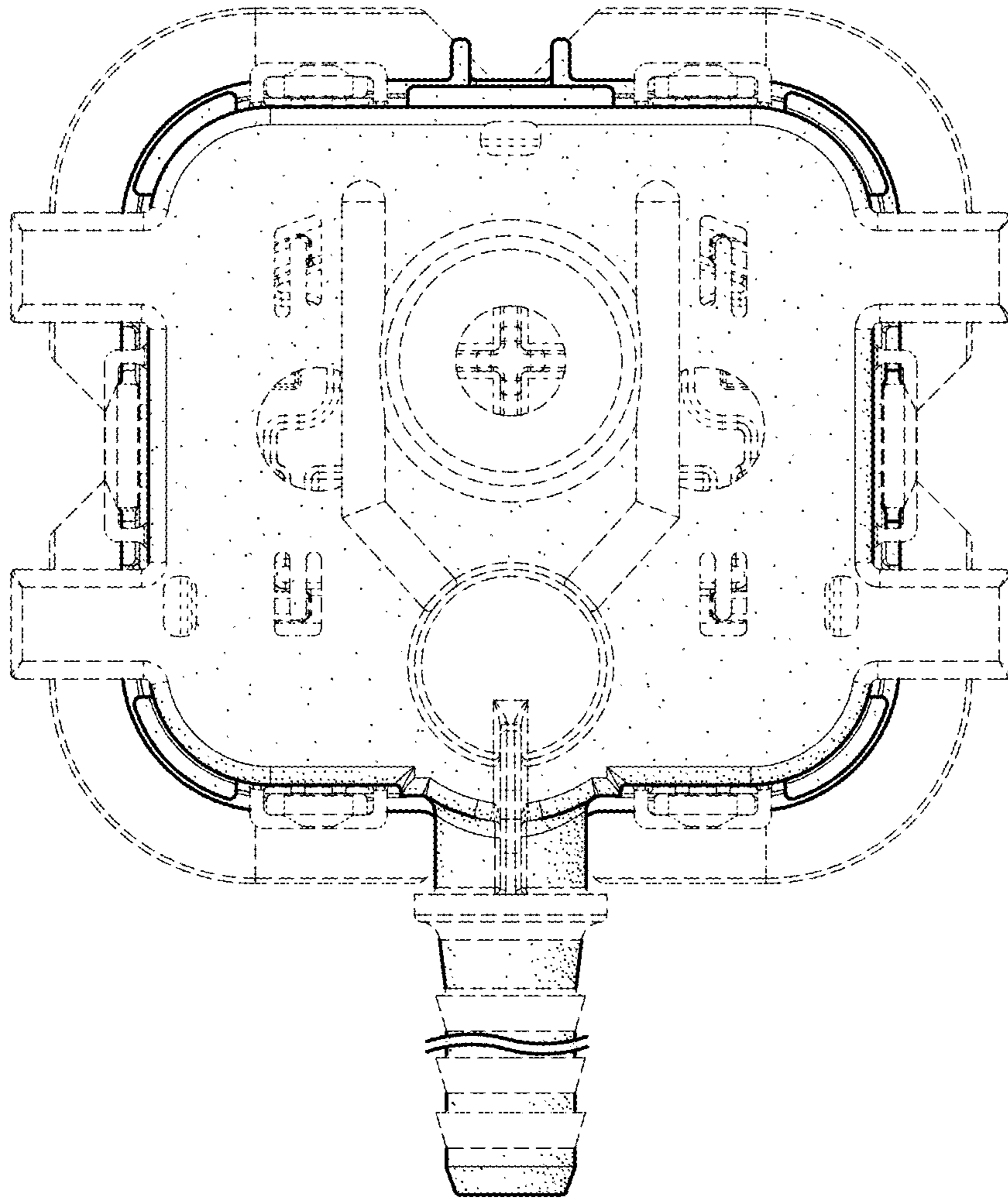
FIG. 1 is a top plan view of a fuel tank vent valve assembly in accordance with our new design;  
FIG. 2 is a bottom plan view thereof;  
FIG. 3 is a rear elevational view thereof;  
FIG. 4 is a front elevational view thereof;  
FIG. 5 is a side view thereof;  
FIG. 6 is a top perspective view thereof; and,  
FIG. 7 is a bottom perspective view thereof.  
The broken line showing portions of the fuel tank vent valve assembly form no part of the claimed design.

**1 Claim, 5 Drawing Sheets**

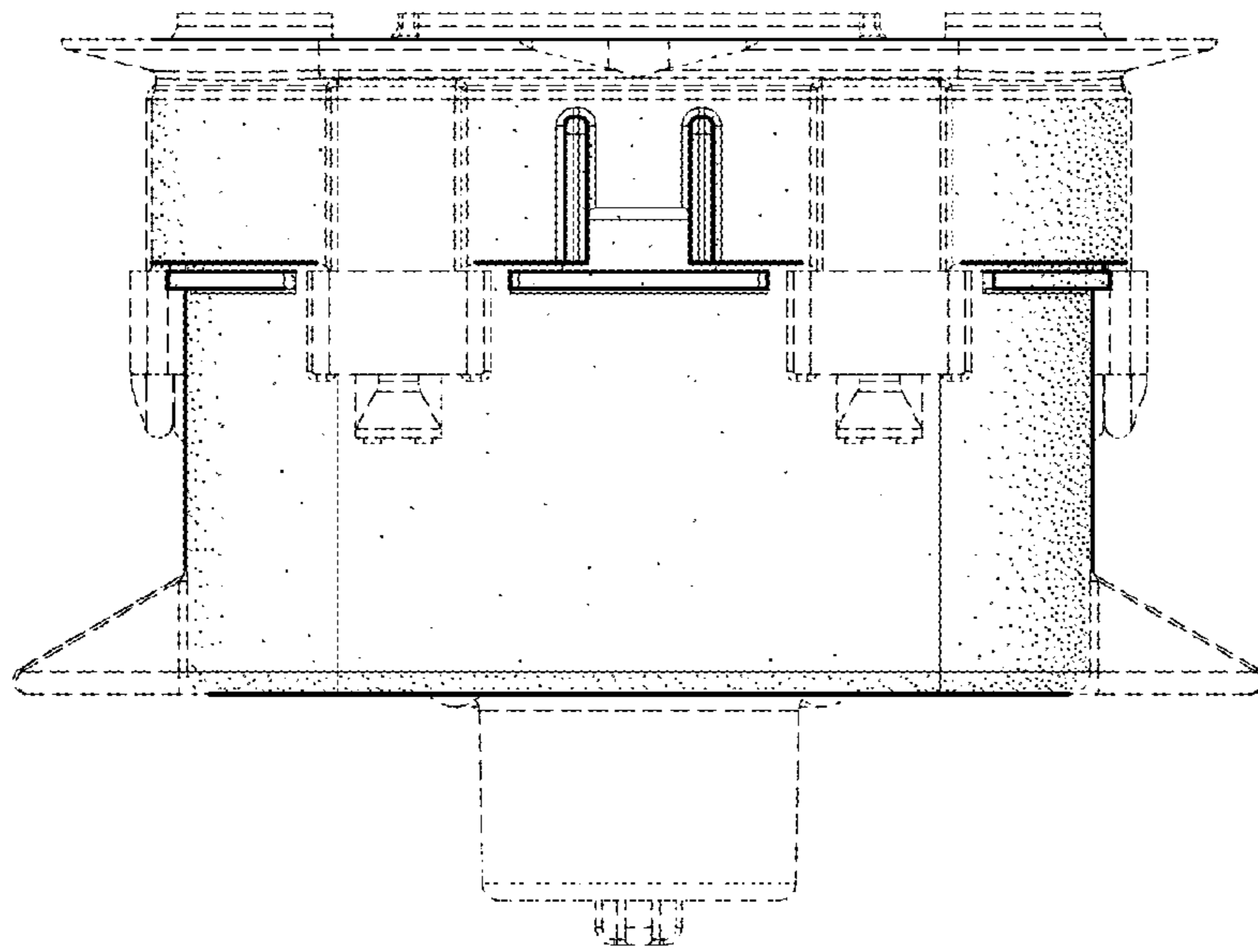




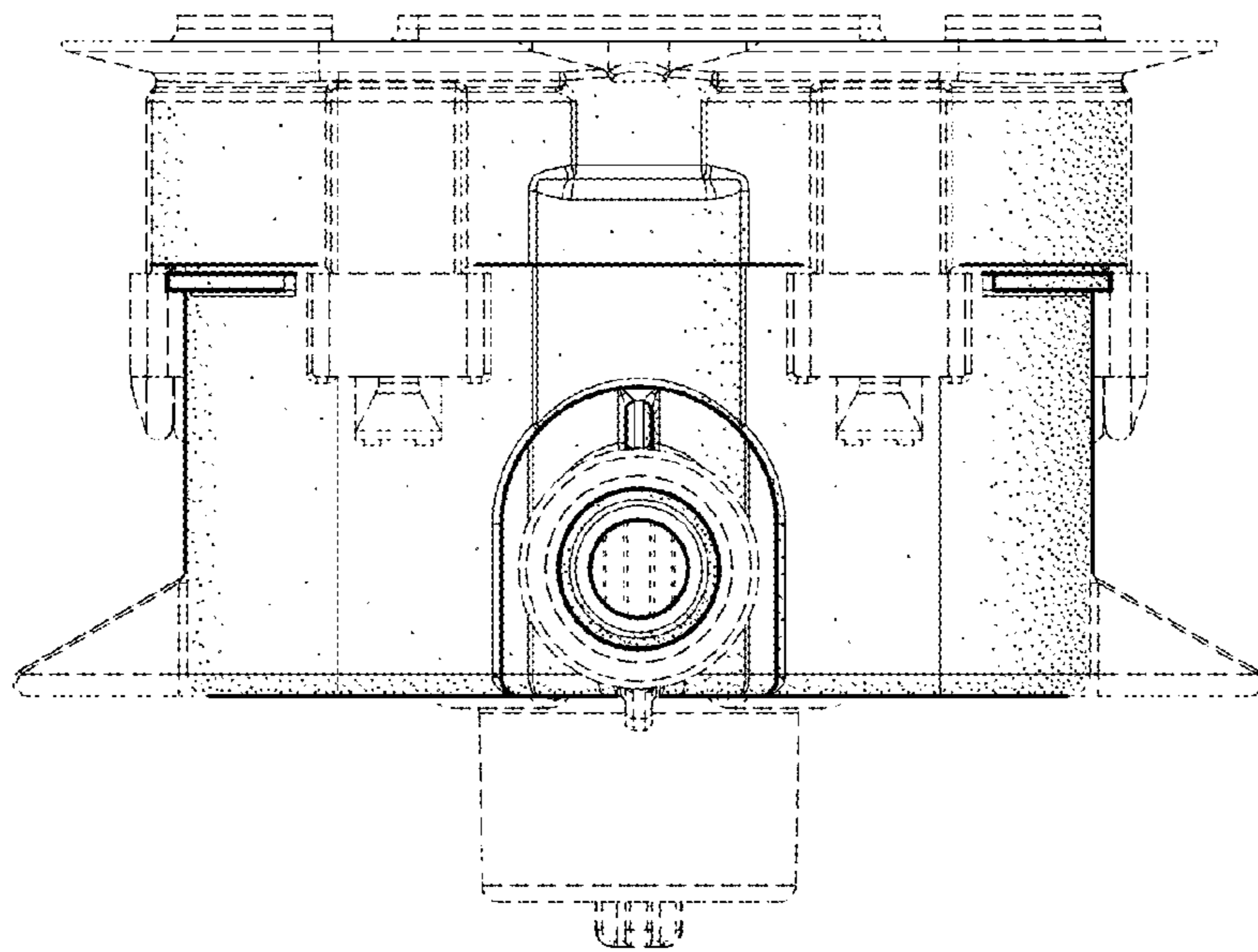
***FIG. 1***



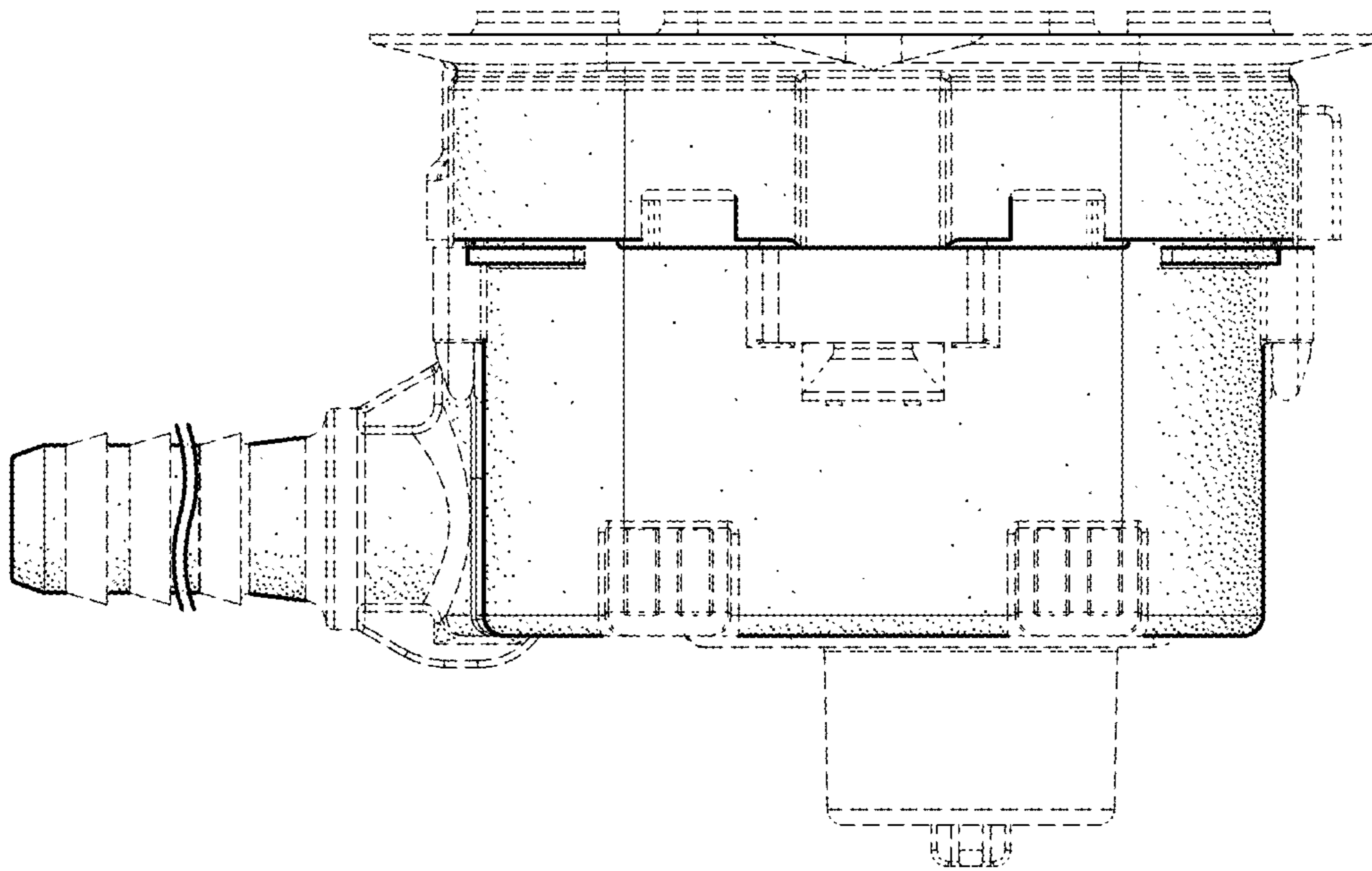
**FIG. 2**



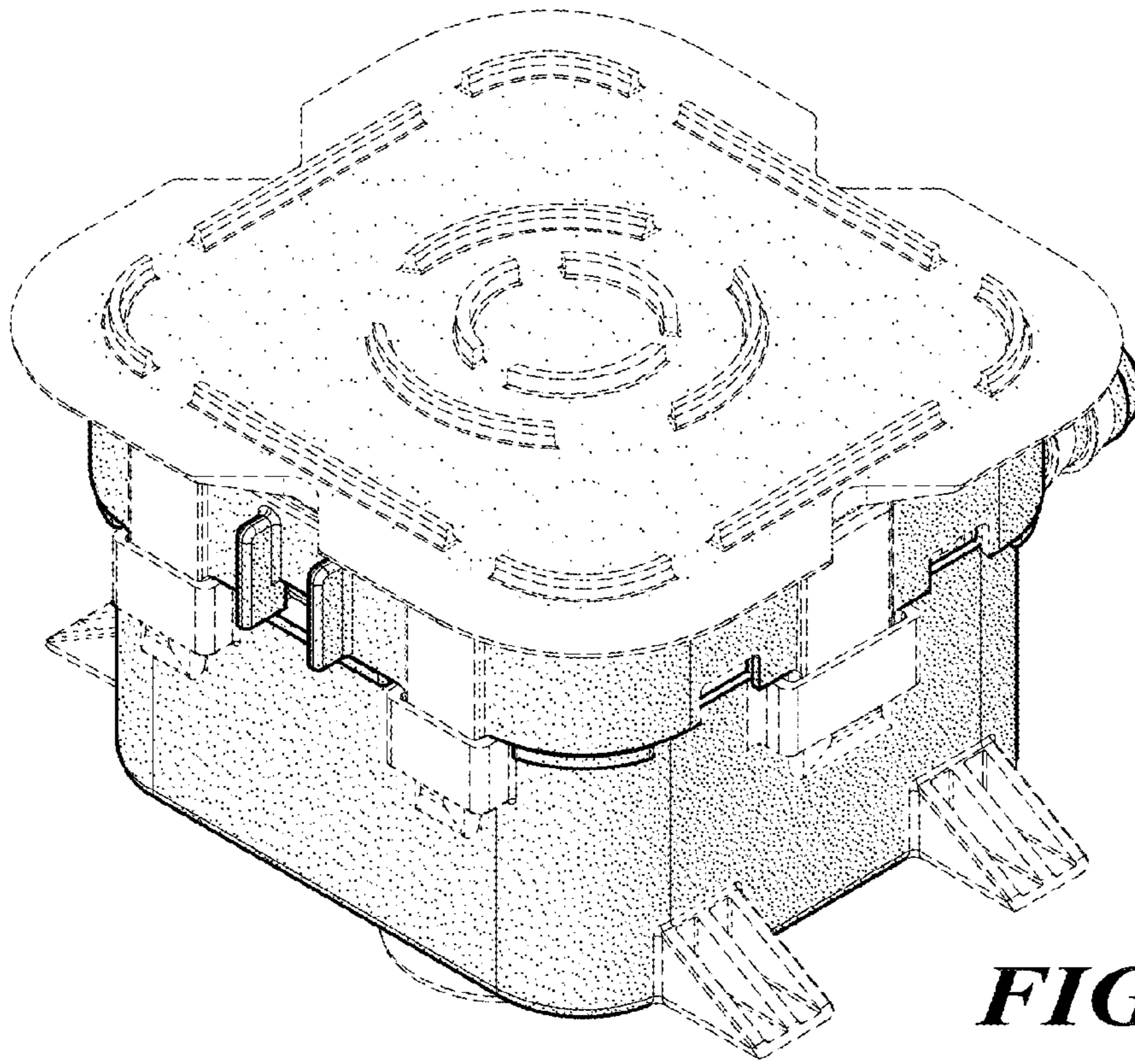
**FIG. 3**



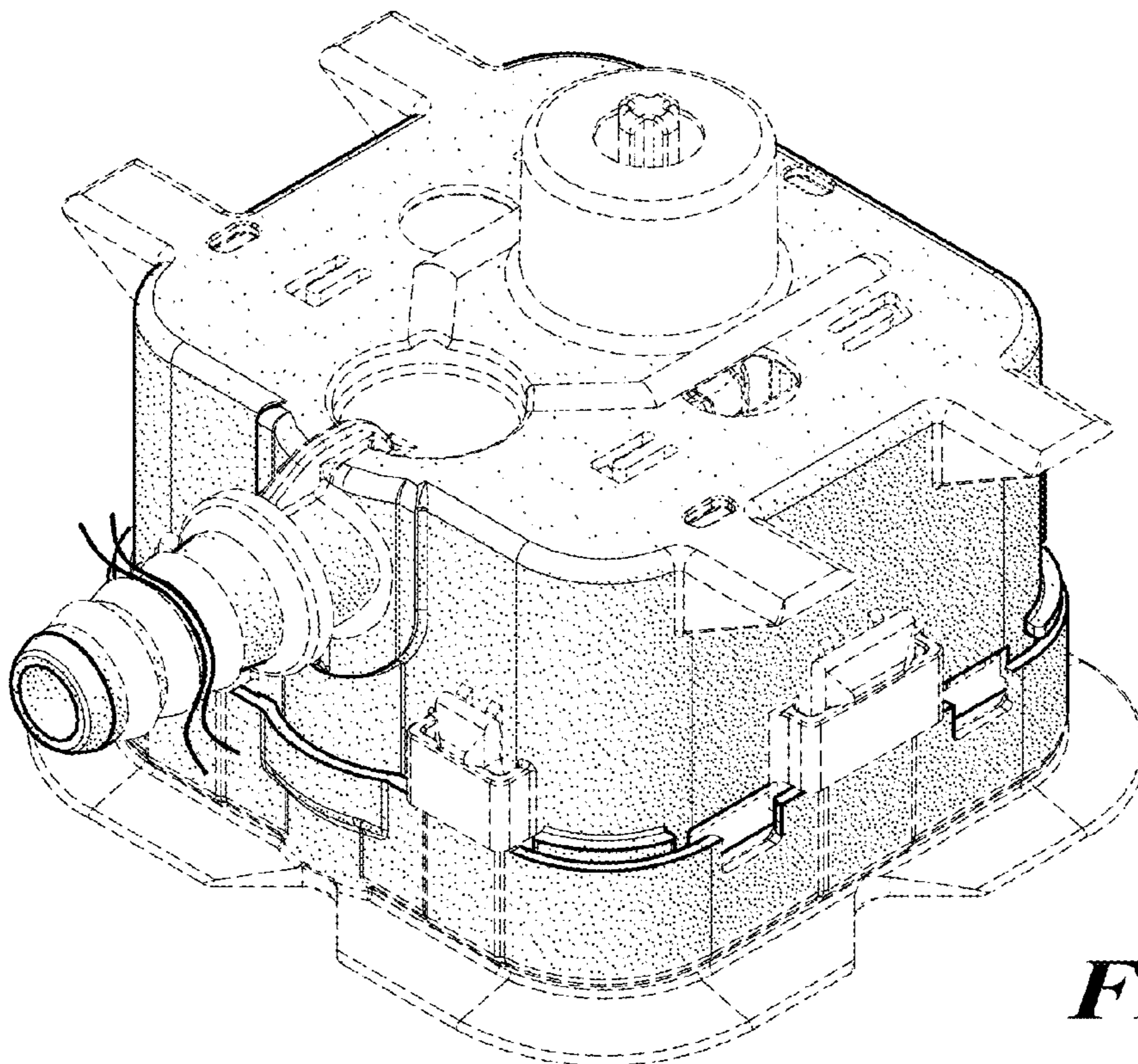
**FIG. 4**



***FIG. 5***



**FIG. 6**



**FIG. 7**