



US00D761937S

(12) **United States Design Patent**
Popek et al.

(10) **Patent No.:** **US D761,937 S**
(45) **Date of Patent:** **** Jul. 19, 2016**

- (54) **SPRAYER ASSEMBLY**
- (71) Applicant: **Telebrands Corp.**, Fairfield, NJ (US)
- (72) Inventors: **Bruce P. Popek**, South Windsor, CT (US); **Victor Kruk**, Clarkston, MI (US); **Richard F. Andrus**, Monterey, MA (US)
- (73) Assignee: **Telebrands Corp.**, Fairfield, NJ (US)
- (**) Term: **14 Years**
- (21) Appl. No.: **29/516,132**
- (22) Filed: **Jan. 29, 2015**
- (51) **LOC (10) Cl.** **23-01**
- (52) **U.S. Cl.**
USPC **D23/225**
- (58) **Field of Classification Search**
USPC D23/213, 225, 202; 239/302, 332, 337, 239/373
CPC B65D 83/20
See application file for complete search history.

- D644,715 S 9/2011 Woodling
- D672,434 S 12/2012 Perez
- D675,713 S * 2/2013 Christensen D23/225
- D708,301 S * 7/2014 Jackson D23/225
- D709,988 S * 7/2014 Ford D23/213

OTHER PUBLICATIONS

Hydro Mousse, available at www.revealingreviews.com, accessed on Nov. 13, 2014.
 Miracle Grow Garden Feeder, available at www.jamaligarden.com, accessed on Nov. 18, 2014.
 Miracle Grow Garden Feeder, available at www.lowes.com, accessed on Nov. 18, 2014.

* cited by examiner

Primary Examiner — Robin V Webster
 (74) *Attorney, Agent, or Firm* — Cooper & Dunham, LLP

(57) **CLAIM**

The ornamental design for a sprayer assembly, as shown and described.

DESCRIPTION

FIG. 1 is a perspective view of a sprayer assembly in accordance with the present design;
 FIG. 2 is a front view thereof;
 FIG. 3 is a back view thereof;
 FIG. 4 is a left side view thereof;
 FIG. 5 is a right side view thereof;
 FIG. 6 is a top view thereof; and,
 FIG. 7 is a bottom view thereof.
 The broken lines are for illustrative purposes only and represent no part of the claimed design. The shading represents contour of the claimed design.

1 Claim, 7 Drawing Sheets

(56) **References Cited**

U.S. PATENT DOCUMENTS

- D235,063 S * 5/1975 Gunzel et al. D23/225
- D281,900 S * 12/1985 Gunzel, Jr. D23/225
- 4,809,913 A 3/1989 Gunlock
- 4,913,356 A 4/1990 Gunlock
- 5,183,206 A 2/1993 Gavin
- 5,372,310 A 12/1994 Ketcham
- D432,372 S * 10/2000 Iacofano D23/225
- 7,322,534 B2 * 1/2008 Bartsch B01J 47/002
239/302
- 7,703,703 B2 4/2010 Gavin

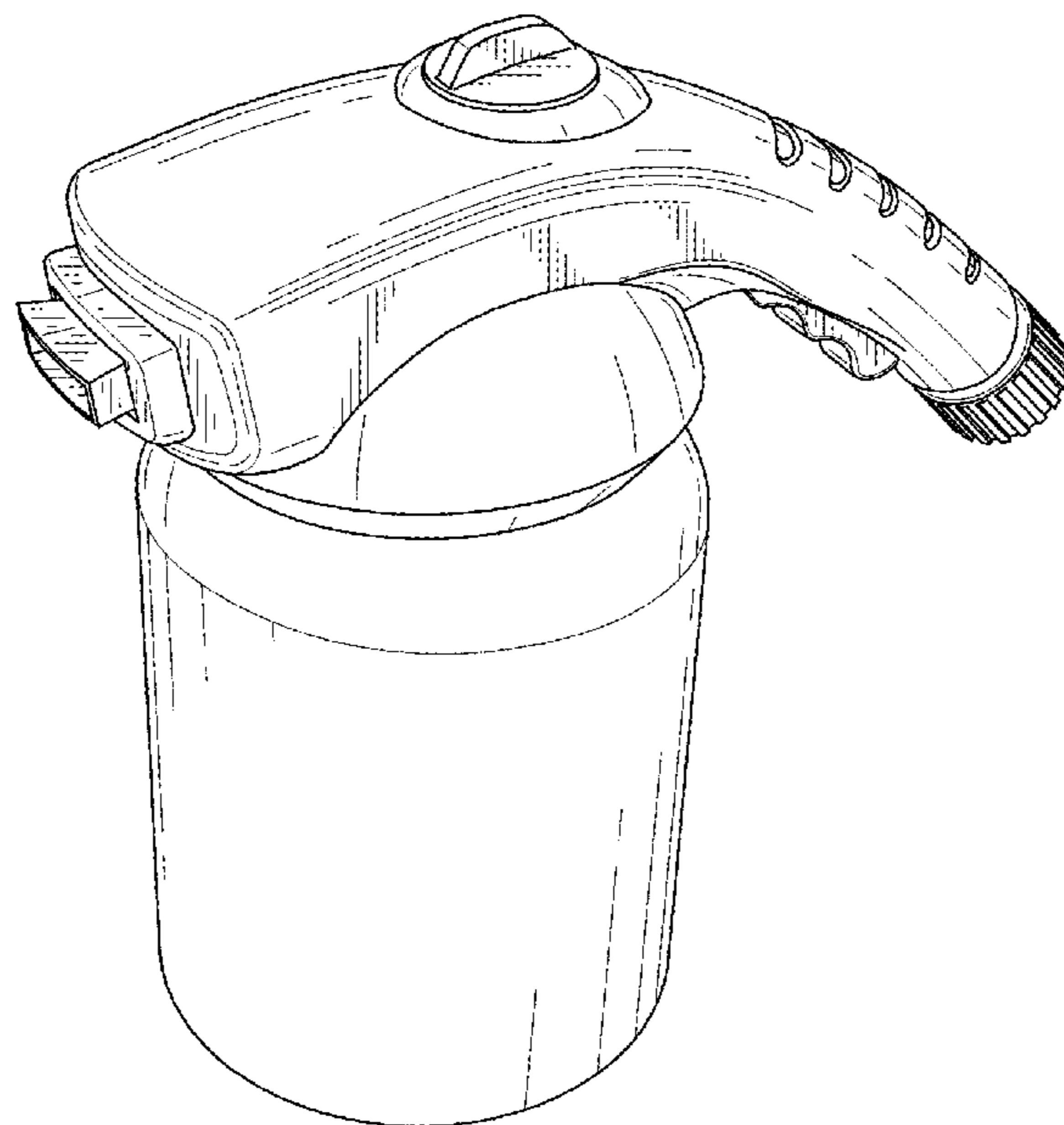


FIG. 1

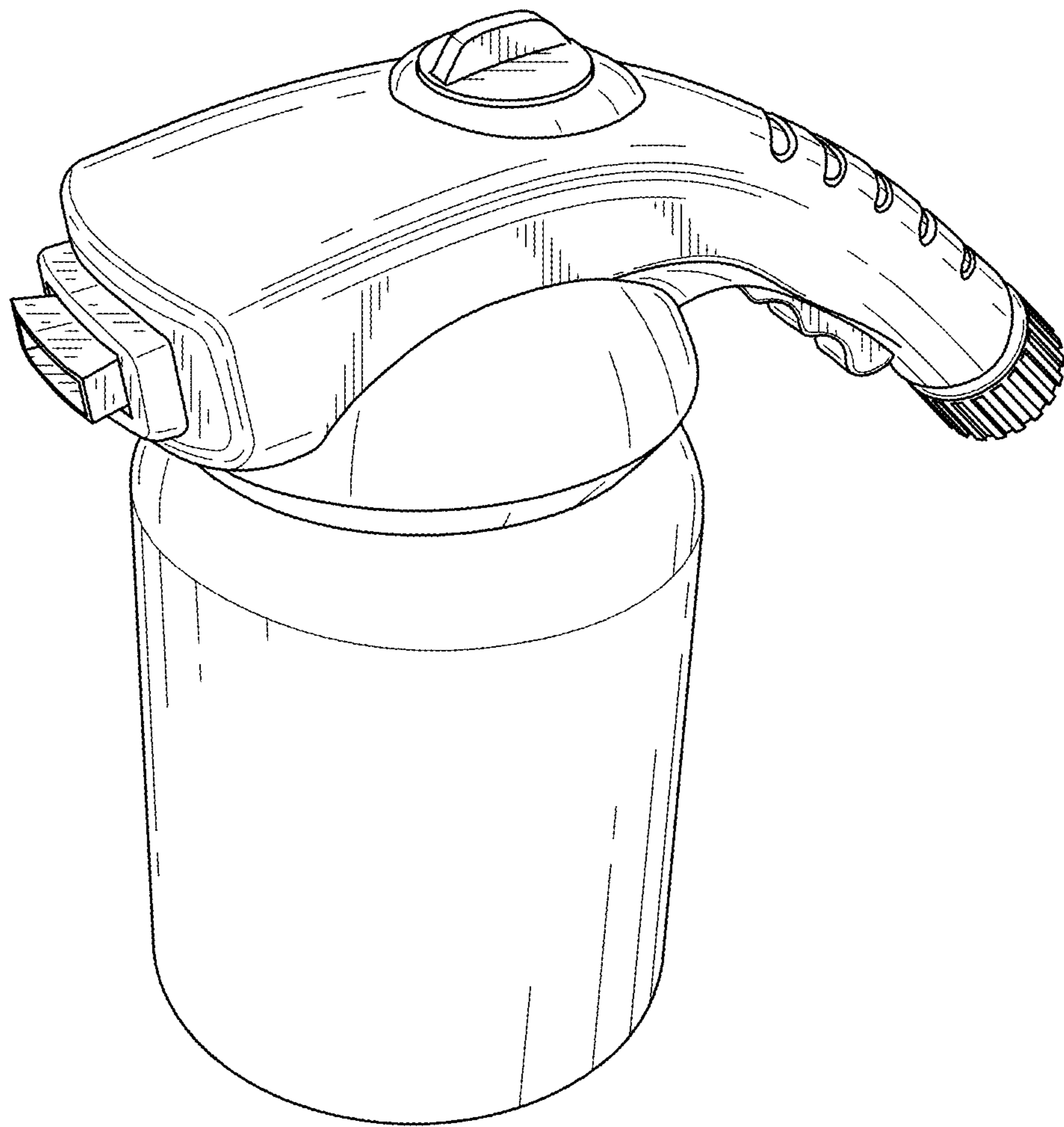


FIG. 2

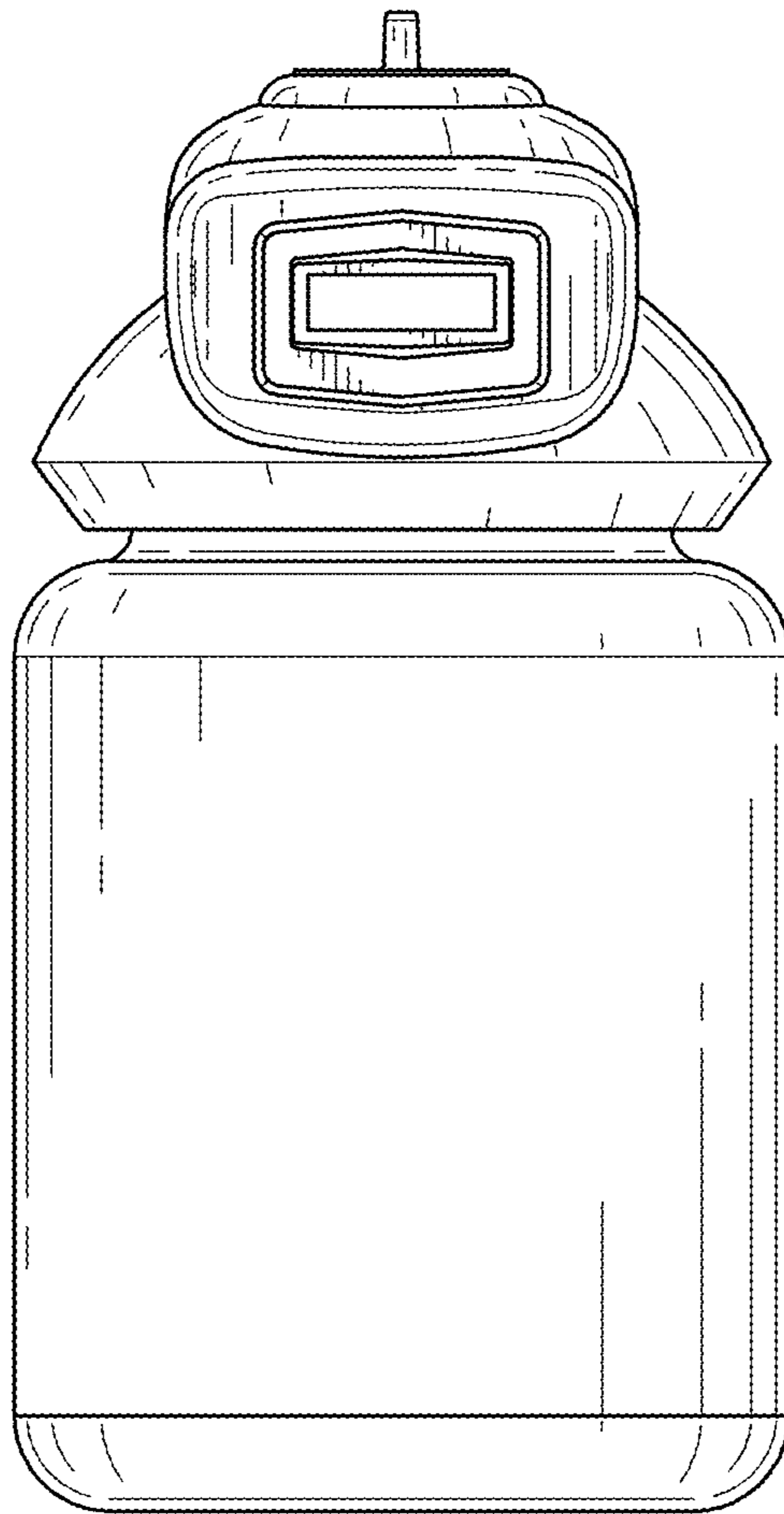


FIG. 3

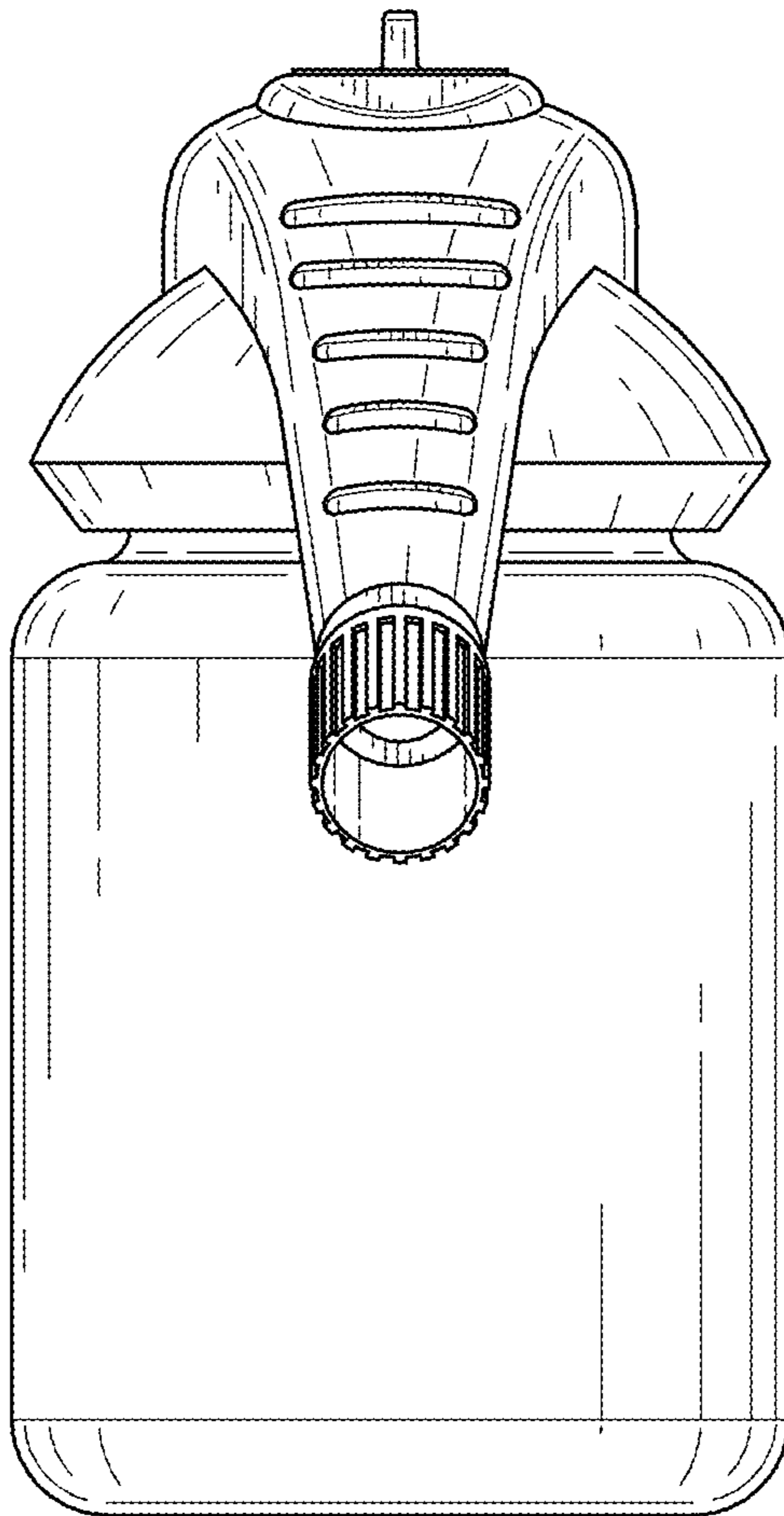


FIG. 4

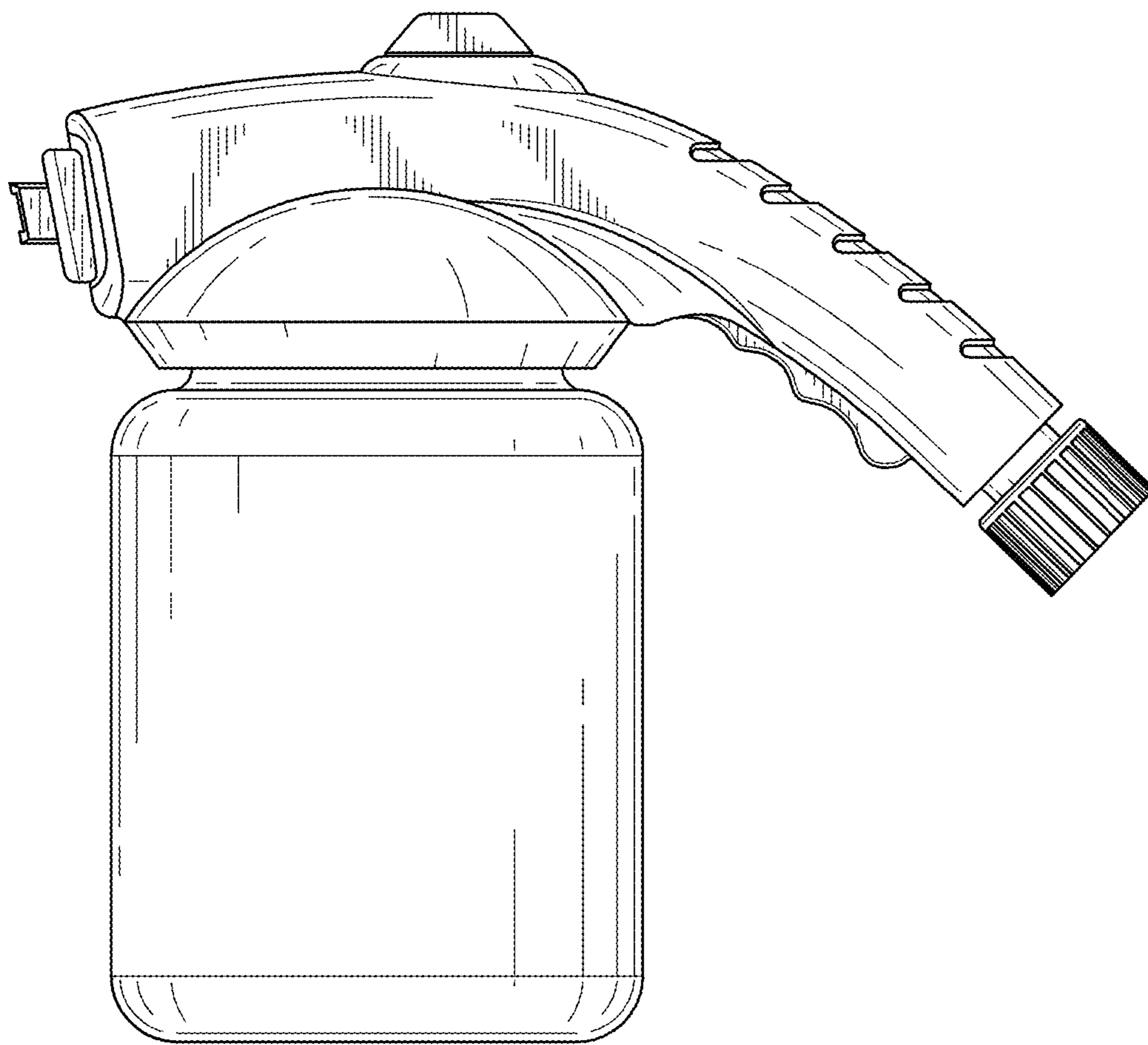


FIG. 5

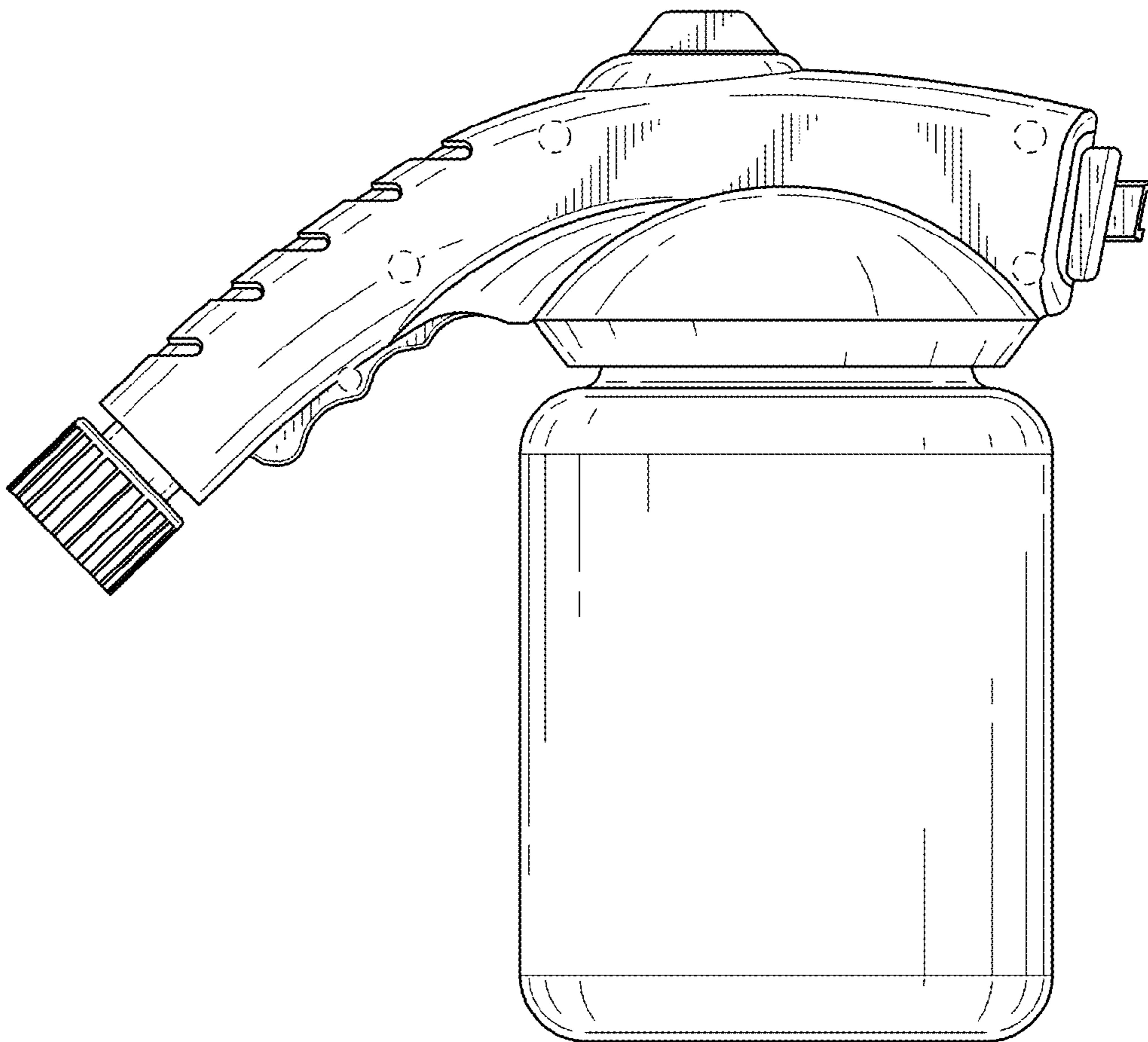


FIG. 6

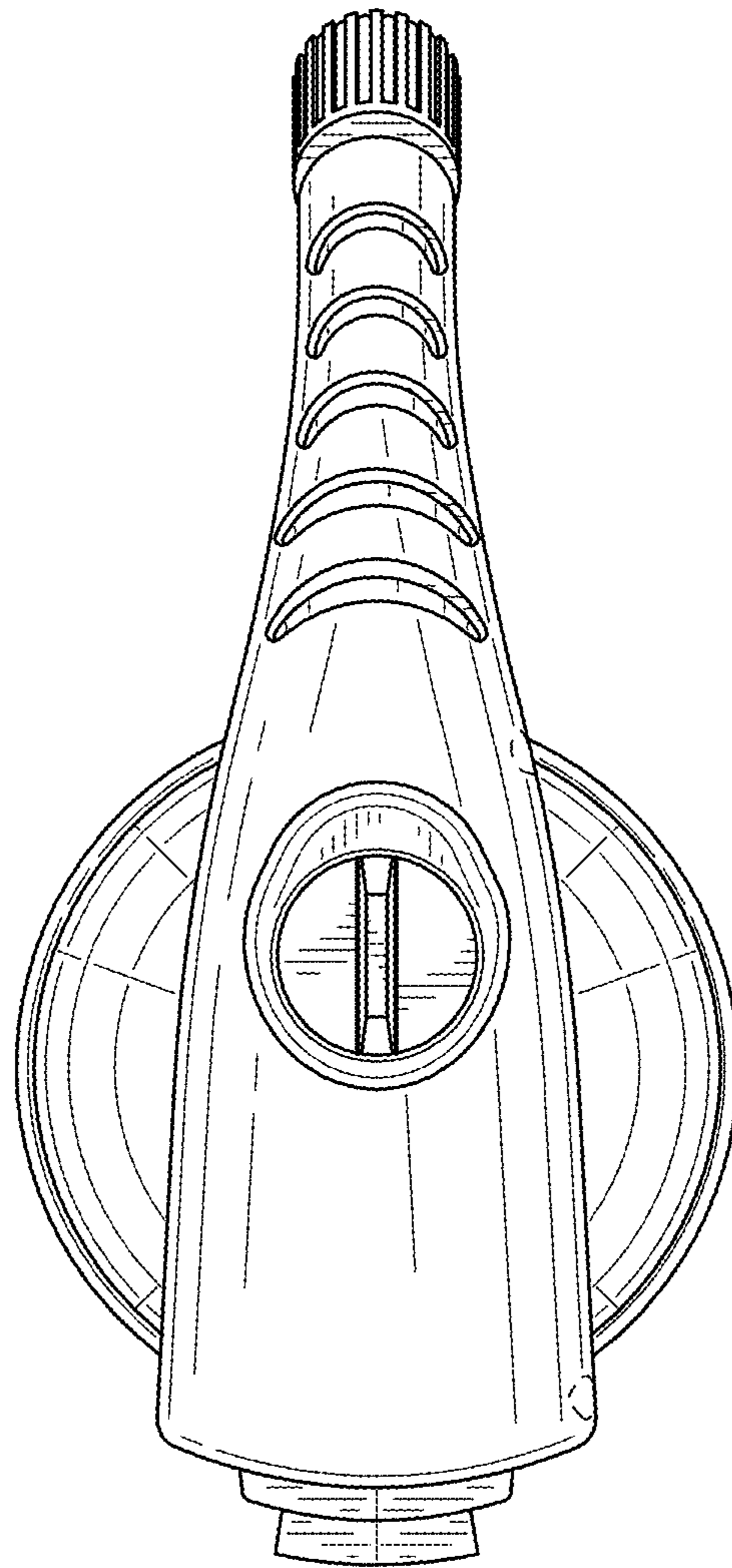


FIG. 7

