



US00D761936S

(12) **United States Design Patent**
Flowers et al.

(10) **Patent No.:** **US D761,936 S**
(45) **Date of Patent:** **** Jul. 19, 2016**

(54) **PULLOUTSPRAY**

(56) **References Cited**

(71) Applicant: **Grohe AG**, Hemer (DE)

U.S. PATENT DOCUMENTS

(72) Inventors: **Paul Flowers**, London (GB); **Hans Lobermeier**, Menden (DE)

D419,649 S *	1/2000	Lord	D23/255
D419,651 S *	1/2000	Lord	D23/255
D473,287 S *	4/2003	Hsu	D23/223
D529,986 S *	10/2006	Chan	D23/213
D599,883 S *	9/2009	Tippens	D23/223

(73) Assignee: **Grohe AG**, Hemer (DE)

* cited by examiner

(**) Term: **15 Years**

Primary Examiner — Robin V Webster

(21) Appl. No.: **29/529,328**

(74) *Attorney, Agent, or Firm* — Muncy, Geissler, Olds & Lowe, P.C.

(22) Filed: **Jun. 5, 2015**

(57) **CLAIM**

The ornamental design for a pulloutspray, as shown and described.

(30) **Foreign Application Priority Data**

DESCRIPTION

Dec. 5, 2014 (EM) 002591594-0001

FIG. 1 is a front perspective view of a pulloutspray according to the present invention.

(51) **LOC (10) Cl.** **23-01**

FIG. 2 is a left side view of the pulloutspray of FIG. 1.

(52) **U.S. Cl.**

FIG. 3 is a right side view of the pulloutspray of FIG. 1.

USPC **D23/223**

FIG. 4 is a top view of the pulloutspray of FIG. 1.

(58) **Field of Classification Search**

FIG. 5 is a bottom view of the pulloutspray of FIG. 1.

USPC D23/213, 223, 226, 255, 257; 239/525, 239/526, 459

FIG. 6 is a front view of the pulloutspray of FIG. 1; and,

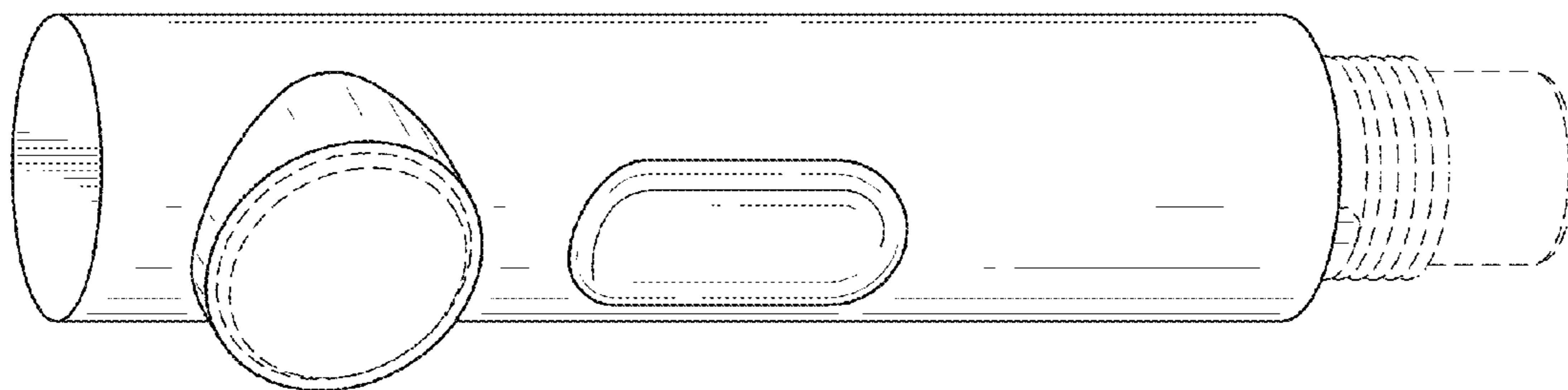
CPC B05B 1/00; B05B 9/01

FIG. 7 is a rear view of the pulloutspray of FIG. 1.

See application file for complete search history.

The dashed lines illustrate environment that does not form a part of the present invention, and no claim is made to the material illustrated with dashed lines.

1 Claim, 6 Drawing Sheets



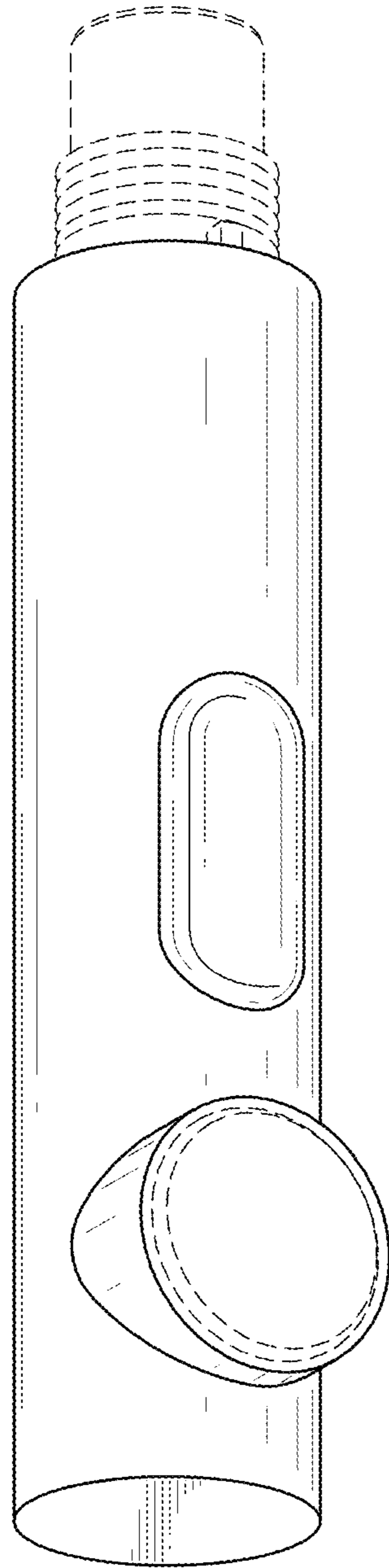


FIG.1

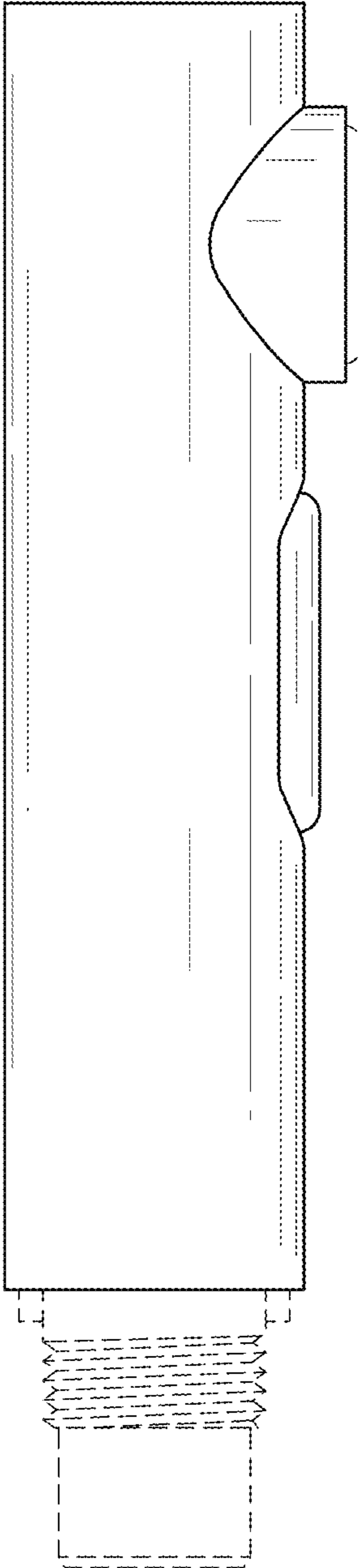


FIG.2

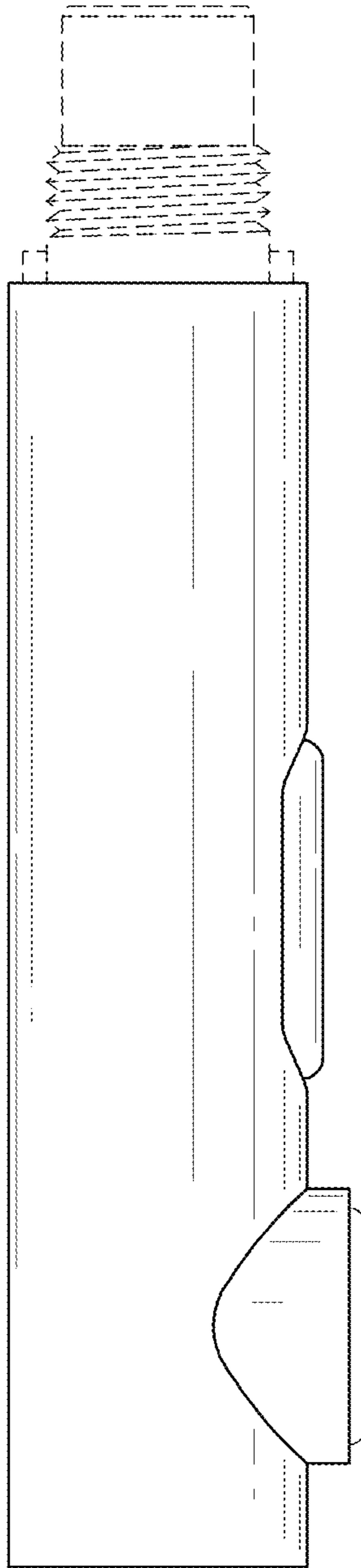


FIG.3

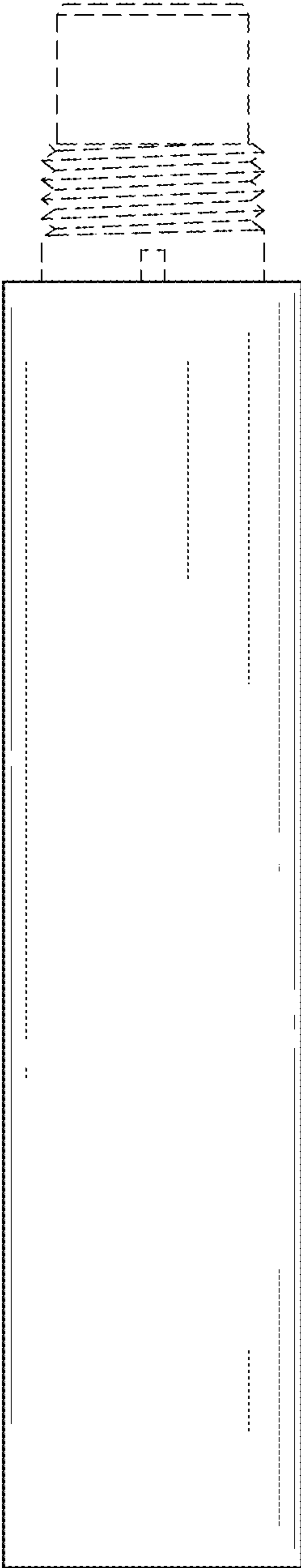


FIG.4

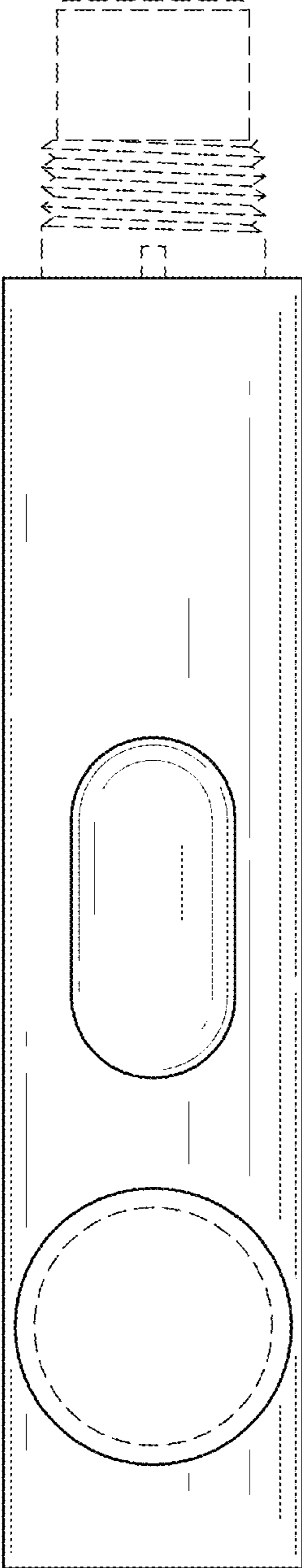


FIG.5

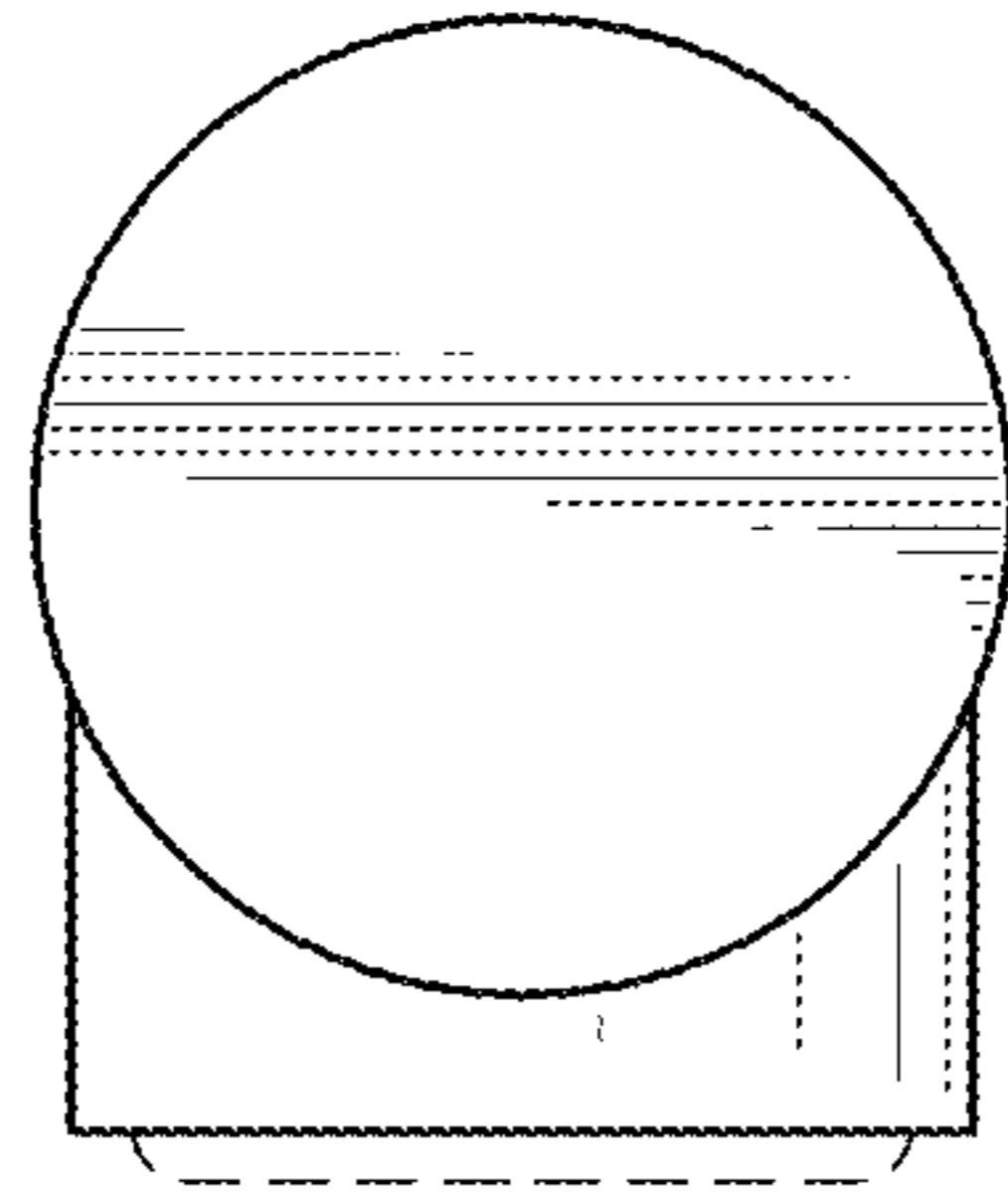


FIG. 6

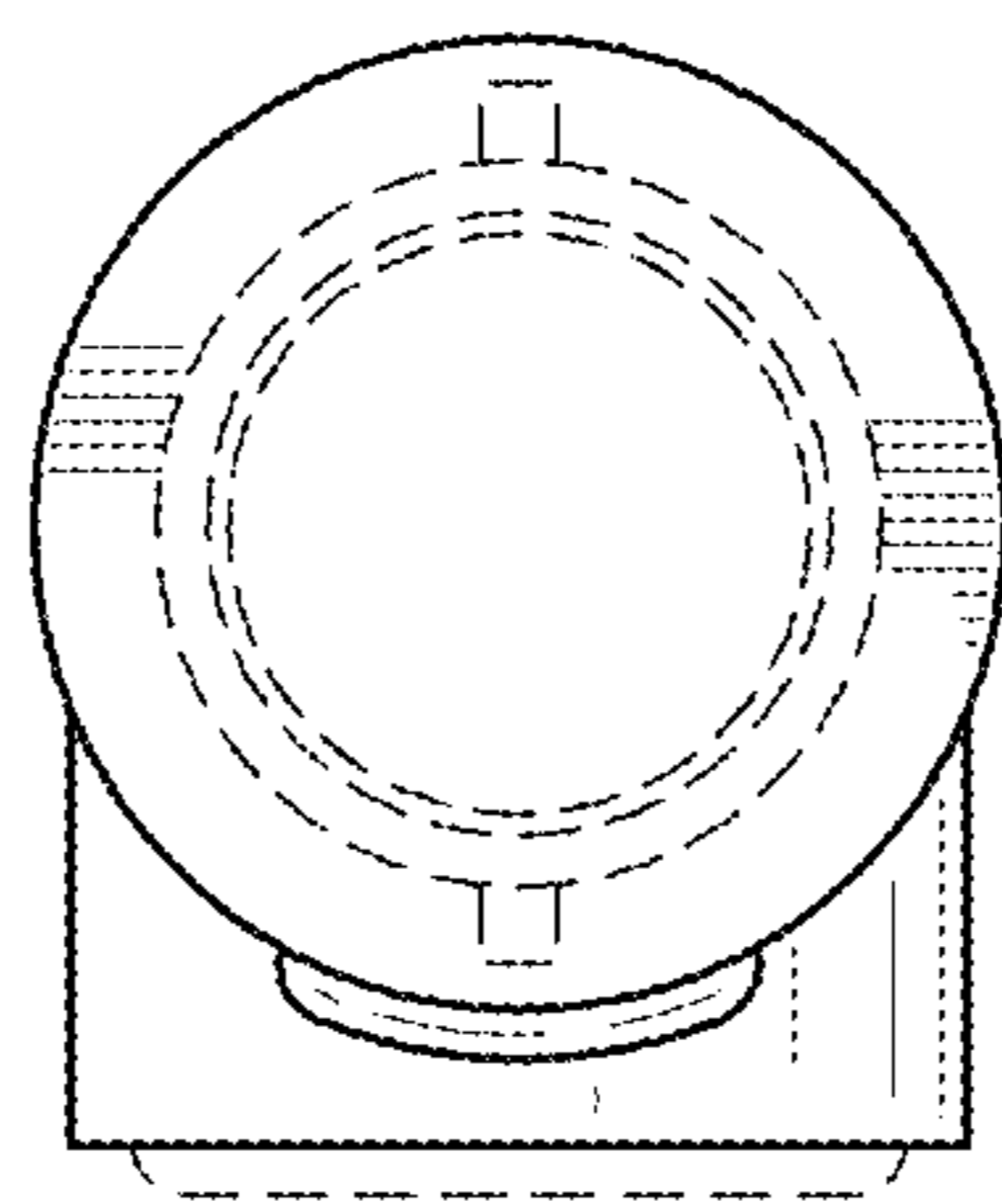


FIG. 7