



US00D761935S

(12) **United States Design Patent**  
**McCutcheon et al.**

(10) **Patent No.:** **US D761,935 S**  
(45) **Date of Patent:** **\*\* Jul. 19, 2016**

(54) **SHOWER HEAD**

(71) Applicant: **Methven Limited**, Auckland (NZ)

(72) Inventors: **Stephen McLay McCutcheon**,  
Auckland (NZ); **Scott Douglas**  
**Fitzsimons**, Auckland (NZ); **Kent**  
**Bradley Thomas Sneddon**, Auckland  
(NZ)

(73) Assignee: **Methven Limited**, Auckland (NZ)

(\*\*) Term: **14 Years**

(21) Appl. No.: **29/524,653**

(22) Filed: **Apr. 22, 2015**

(51) **LOC (10) Cl.** ..... **23-01**

(52) **U.S. Cl.**  
USPC ..... **D23/213**

(58) **Field of Classification Search**  
USPC ..... D23/213, 223, 229, 230; 239/282, 283;  
4/615  
CPC ..... B05B 1/18; B05B 1/00  
See application file for complete search history.

(56) **References Cited**

**U.S. PATENT DOCUMENTS**

D313,267 S	*	12/1990	Lenci	.....	D23/213
D326,311 S	*	5/1992	Lenci	.....	D23/213
D346,430 S	*	4/1994	Warshawsky	.....	D23/213
D580,010 S	*	11/2008	Lee	.....	D23/213
D608,412 S	*	1/2010	Barnard	.....	D23/223
D668,320 S	*	10/2012	Weihreter	.....	D23/213

D674,046 S	*	1/2013	Berger	.....	D23/223
D713,003 S	*	9/2014	Sandee	.....	D23/223
D733,258 S	*	6/2015	Sandee	.....	D23/223
D737,930 S	*	9/2015	Rexach	.....	D23/223
D737,932 S	*	9/2015	Nikles	.....	D23/223

**FOREIGN PATENT DOCUMENTS**

CN	101954318	A	1/2011
CN	201760354	U	3/2011
CN	102059181	A	5/2011
CN	203750724	U	8/2014
CN	204051956	U	12/2014
JP	2002238793	A	8/2002

\* cited by examiner

*Primary Examiner* — Robin V Webster

(74) *Attorney, Agent, or Firm* — Lowe Graham Jones PLLC

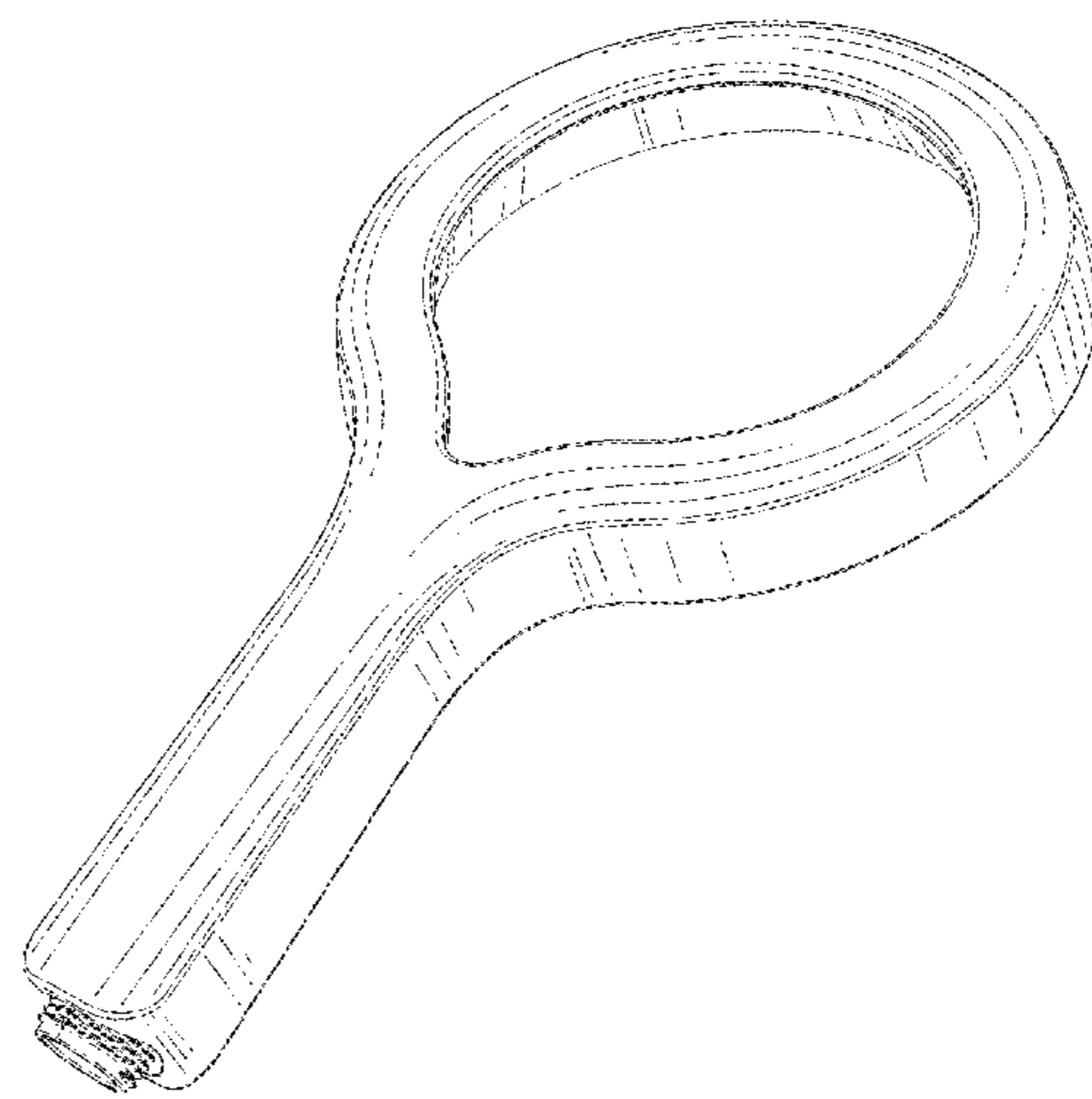
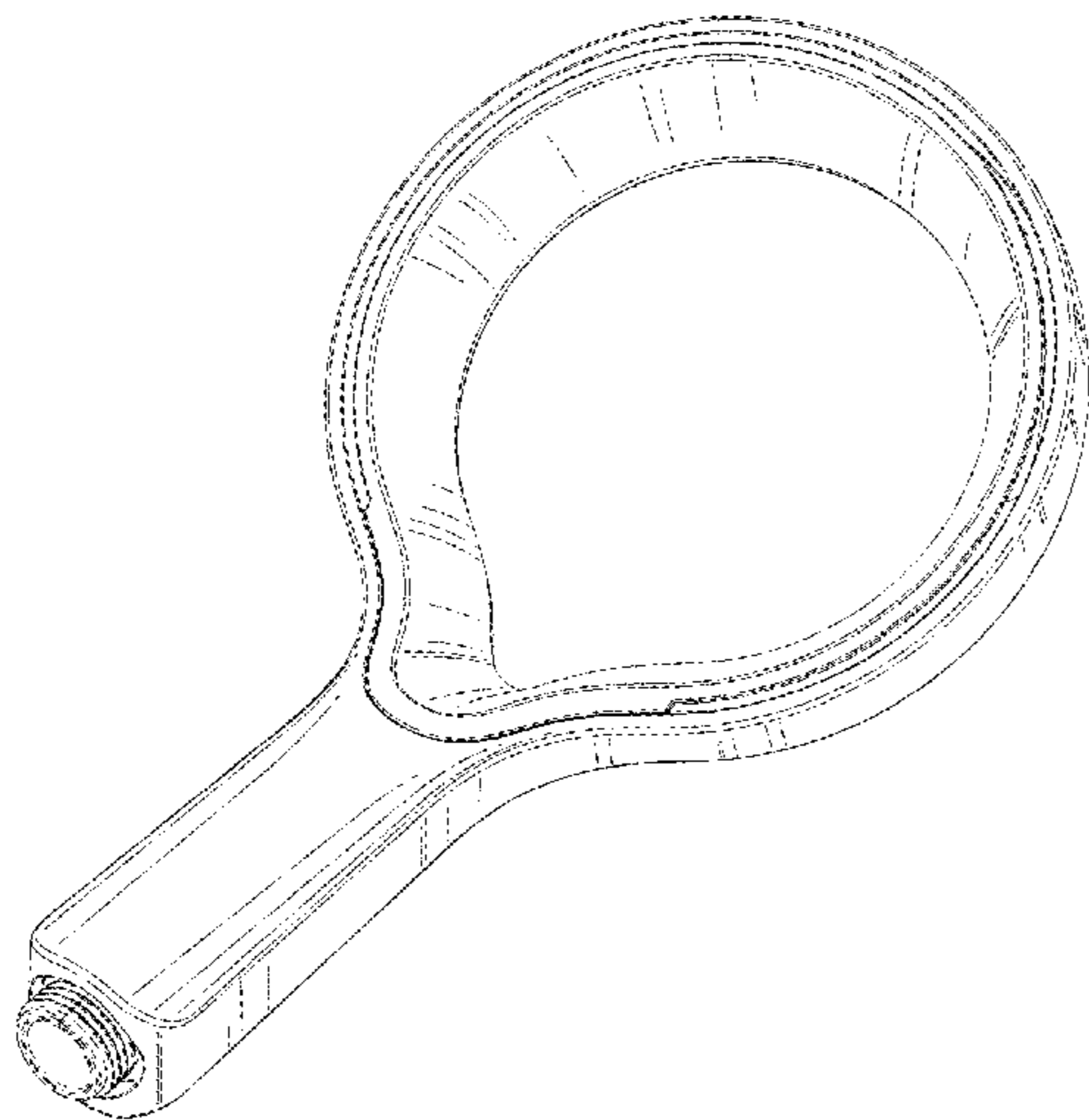
(57) **CLAIM**

We claim the ornamental design for the shower head, as shown and described.

**DESCRIPTION**

FIG. 1 is top view of a shower head, showing our new design. FIG. 2 is a front view of the shower head. FIG. 3 is a right side view of the shower head. FIG. 4 is a rear view of the shower head. FIG. 5 is a left side view of the shower head. FIG. 6 is a bottom view of the shower head. FIG. 7 is a front perspective view of the shower head; and, FIG. 8 is a rear perspective view of the shower head. The features shown in broken lines are for illustrative purposes only and form no part of the claimed design.

**1 Claim, 3 Drawing Sheets**



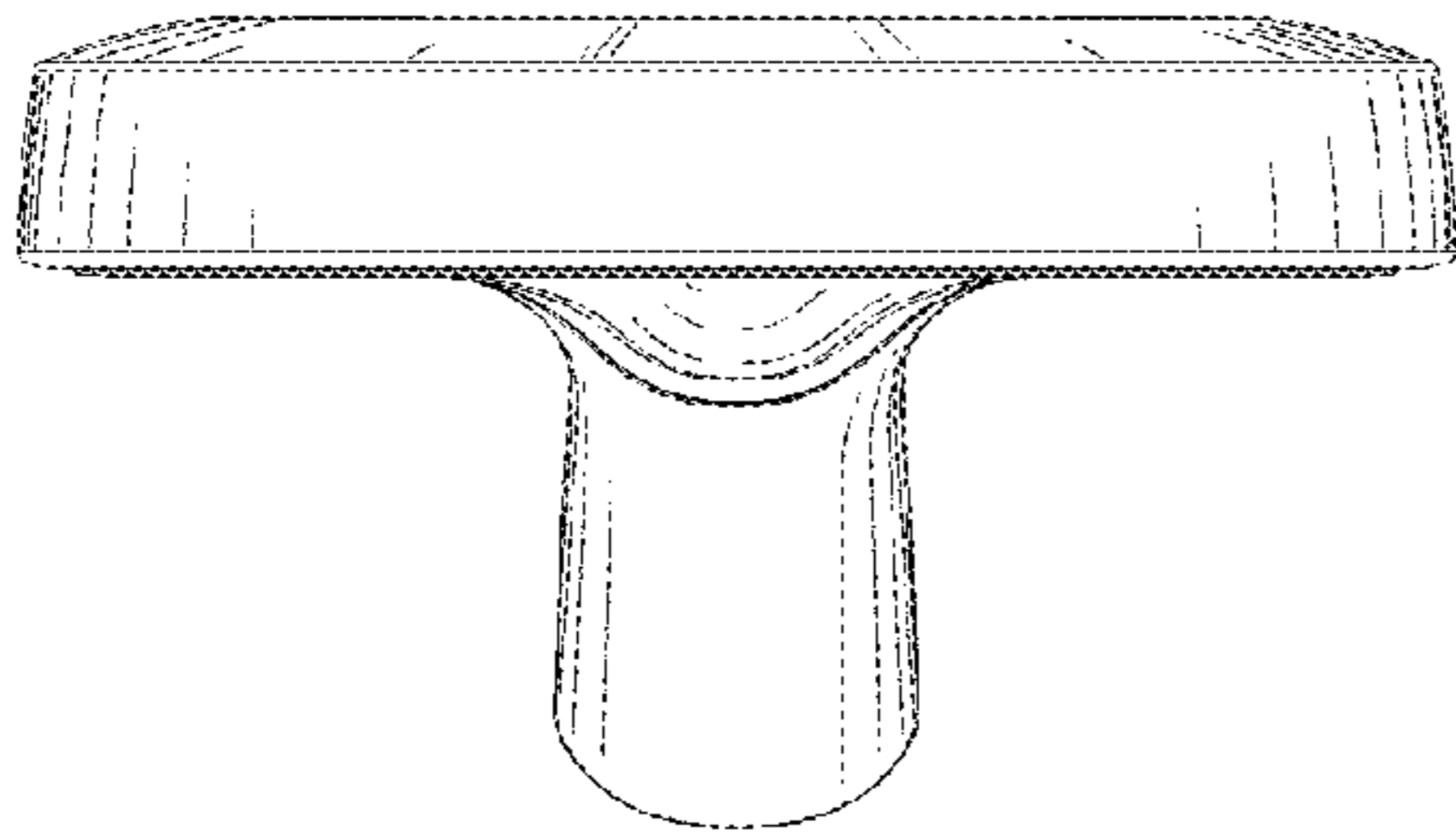


Figure 1

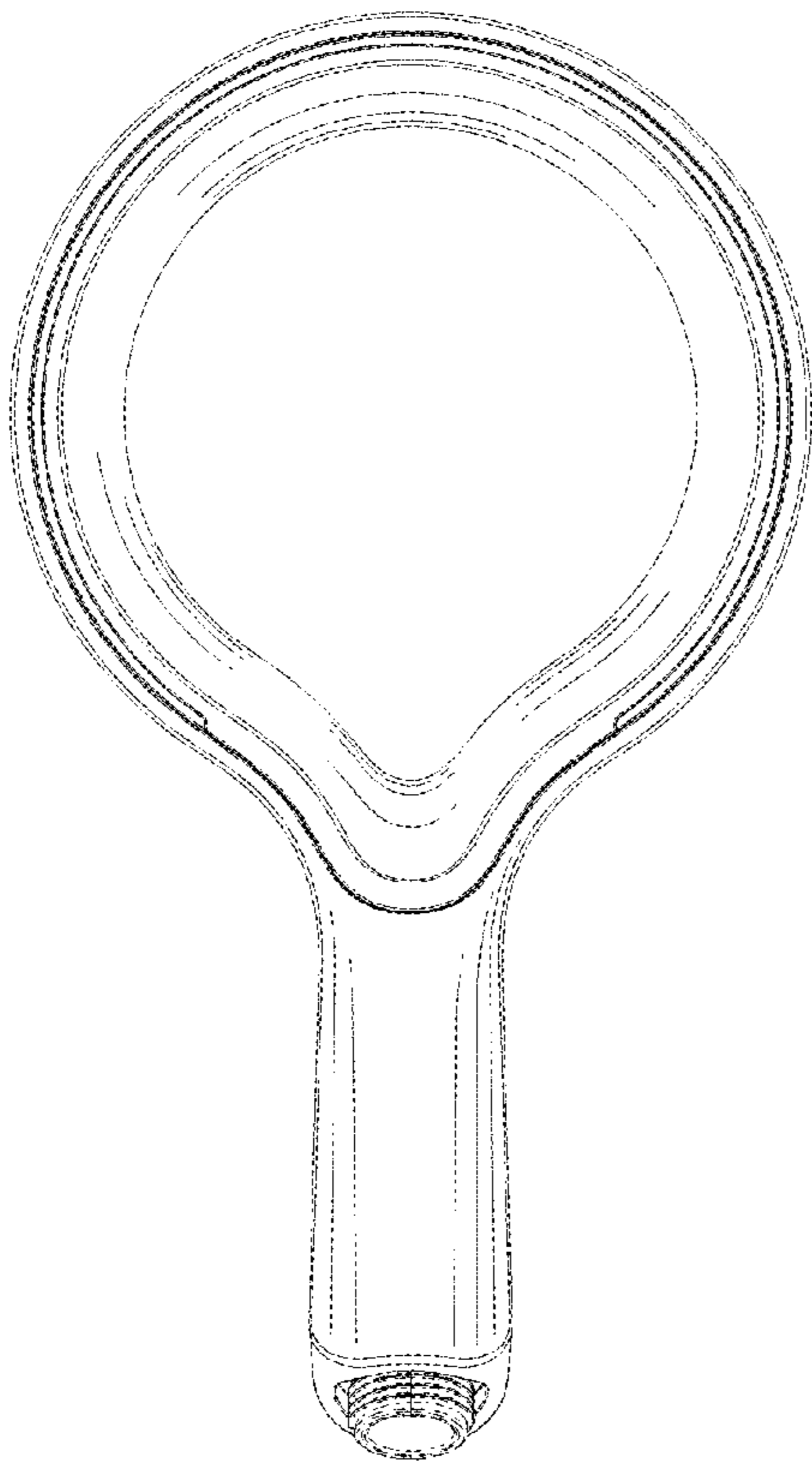


Figure 2

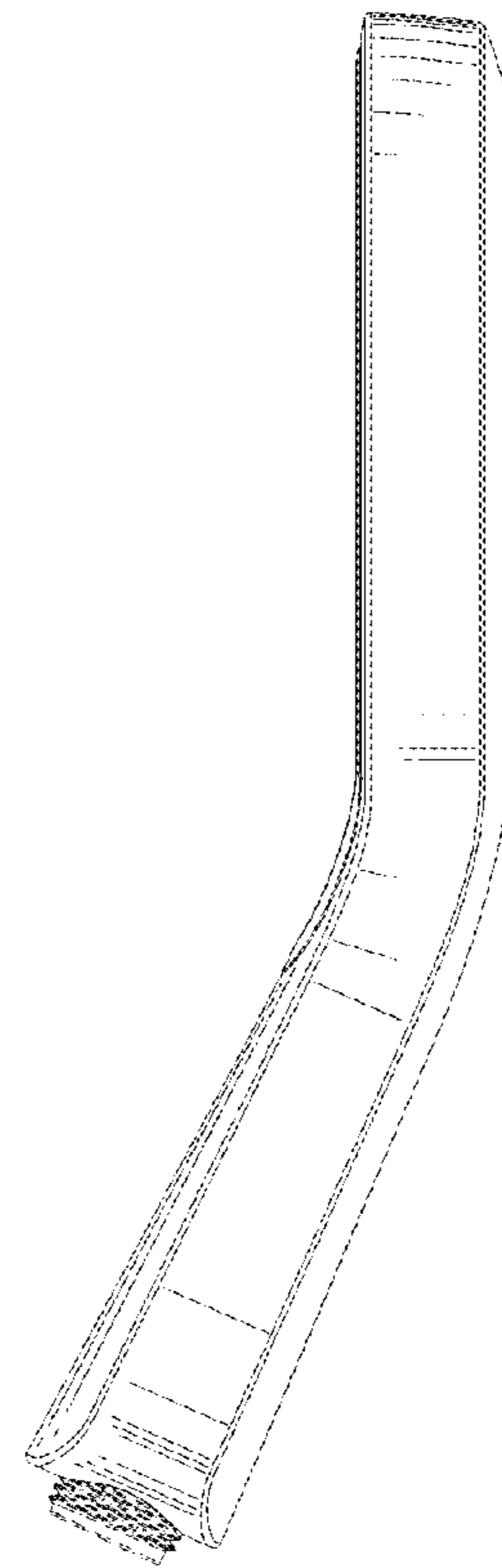


Figure 3

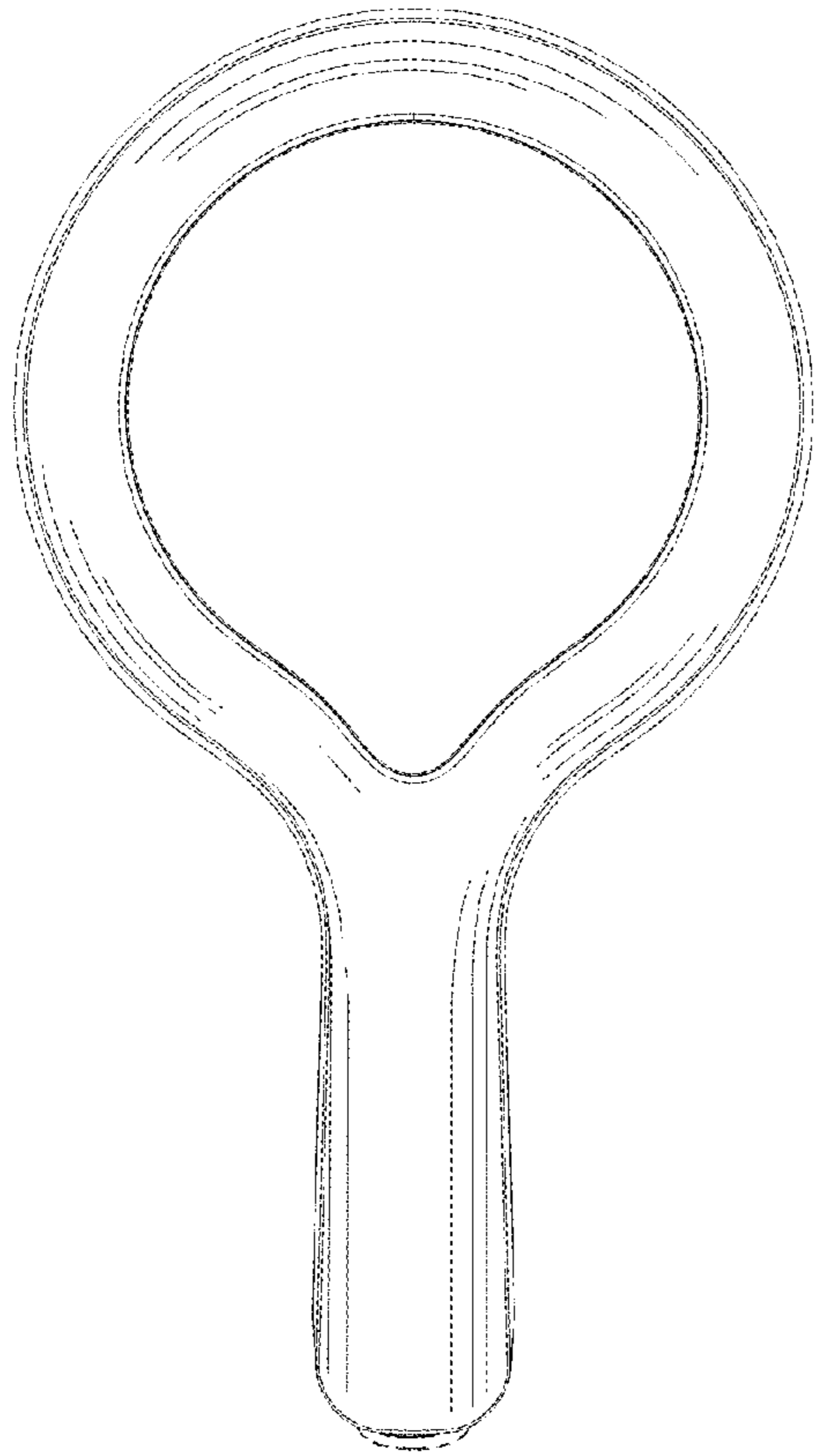


Figure 4

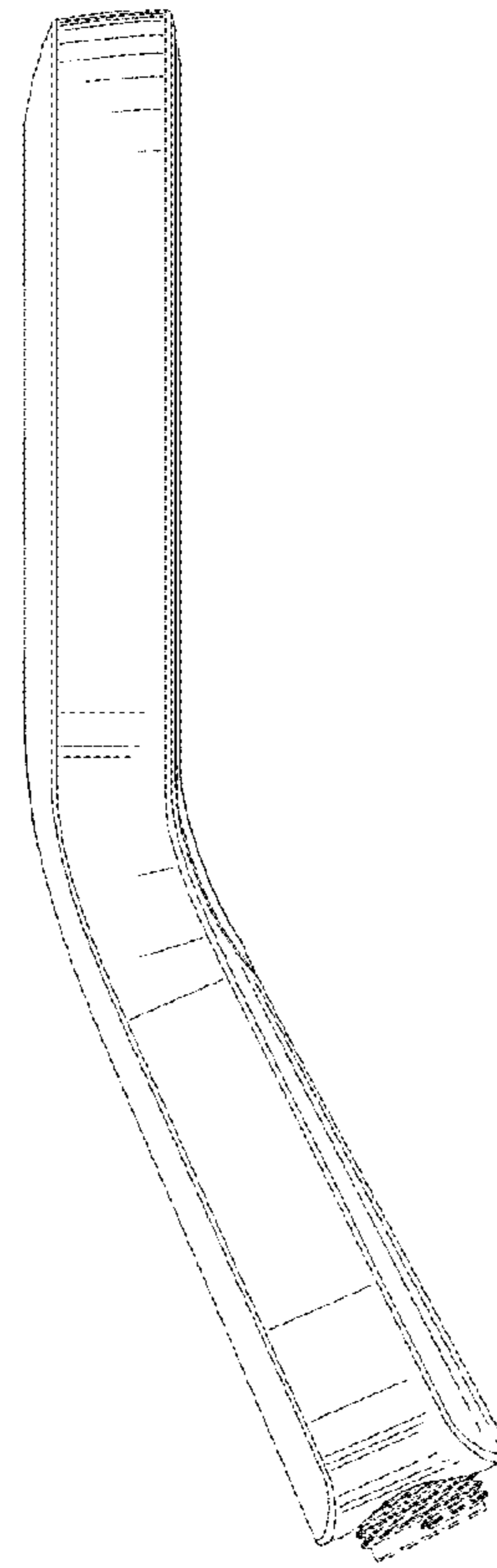


Figure 5

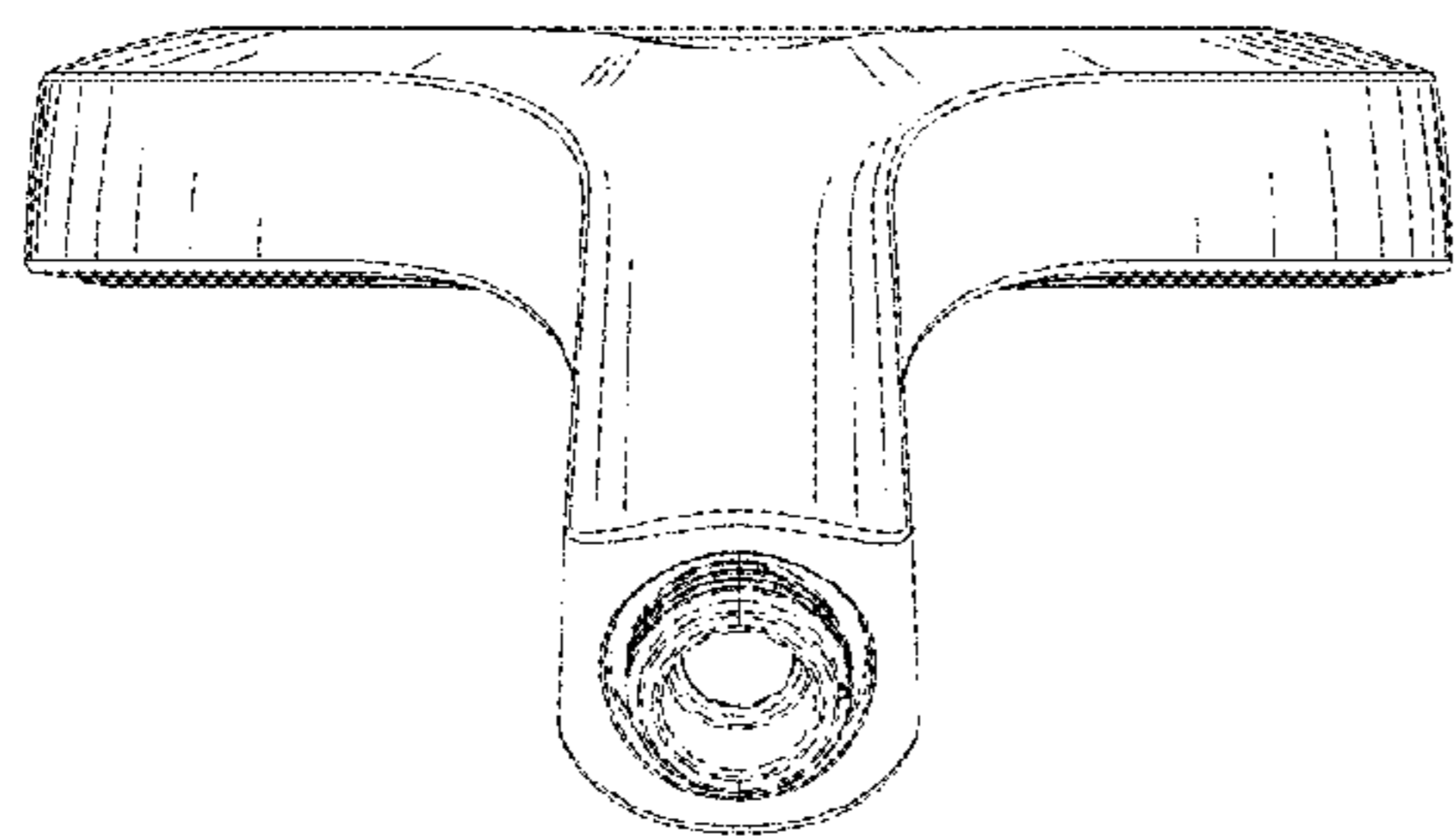


Figure 6

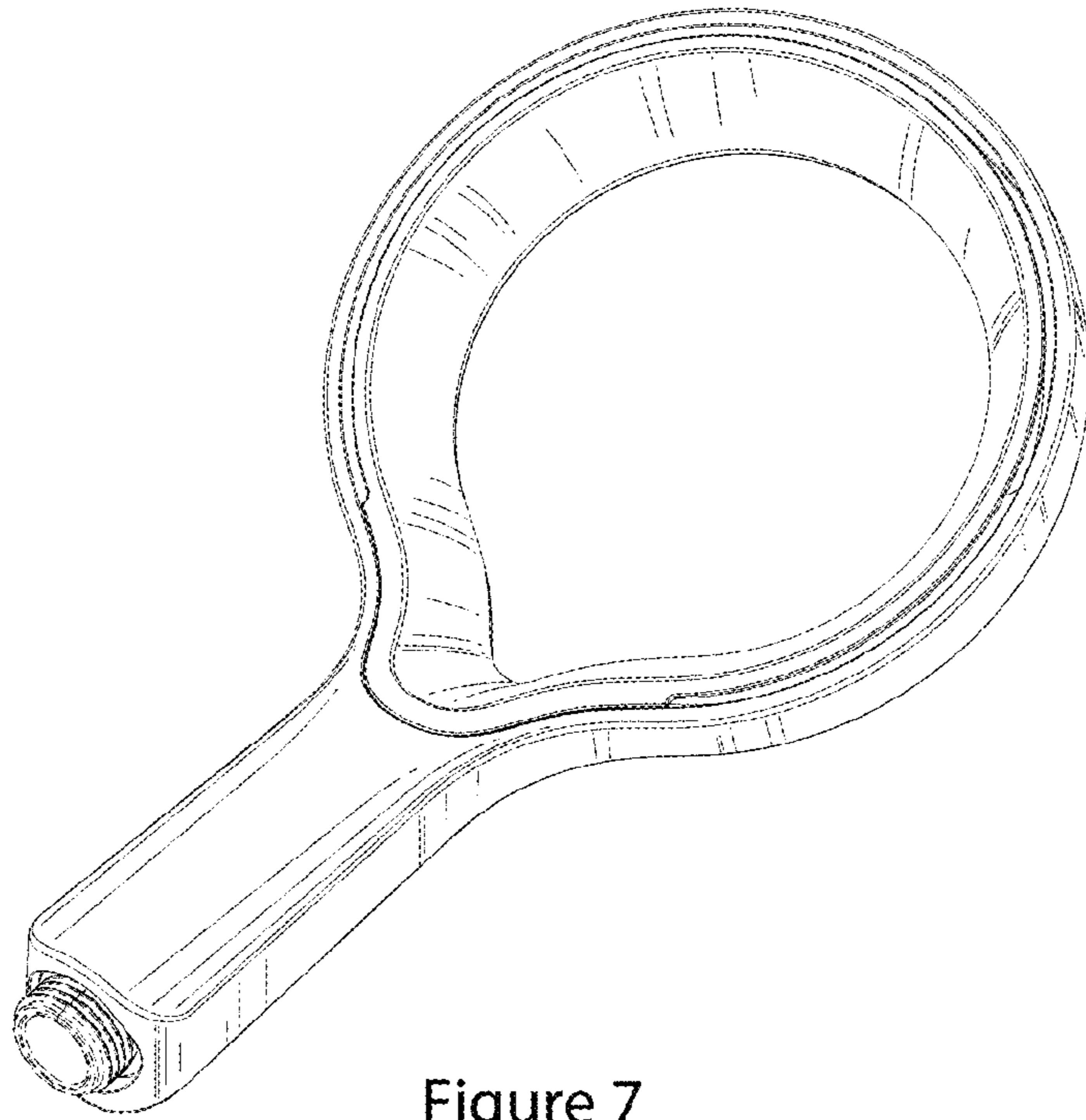


Figure 7

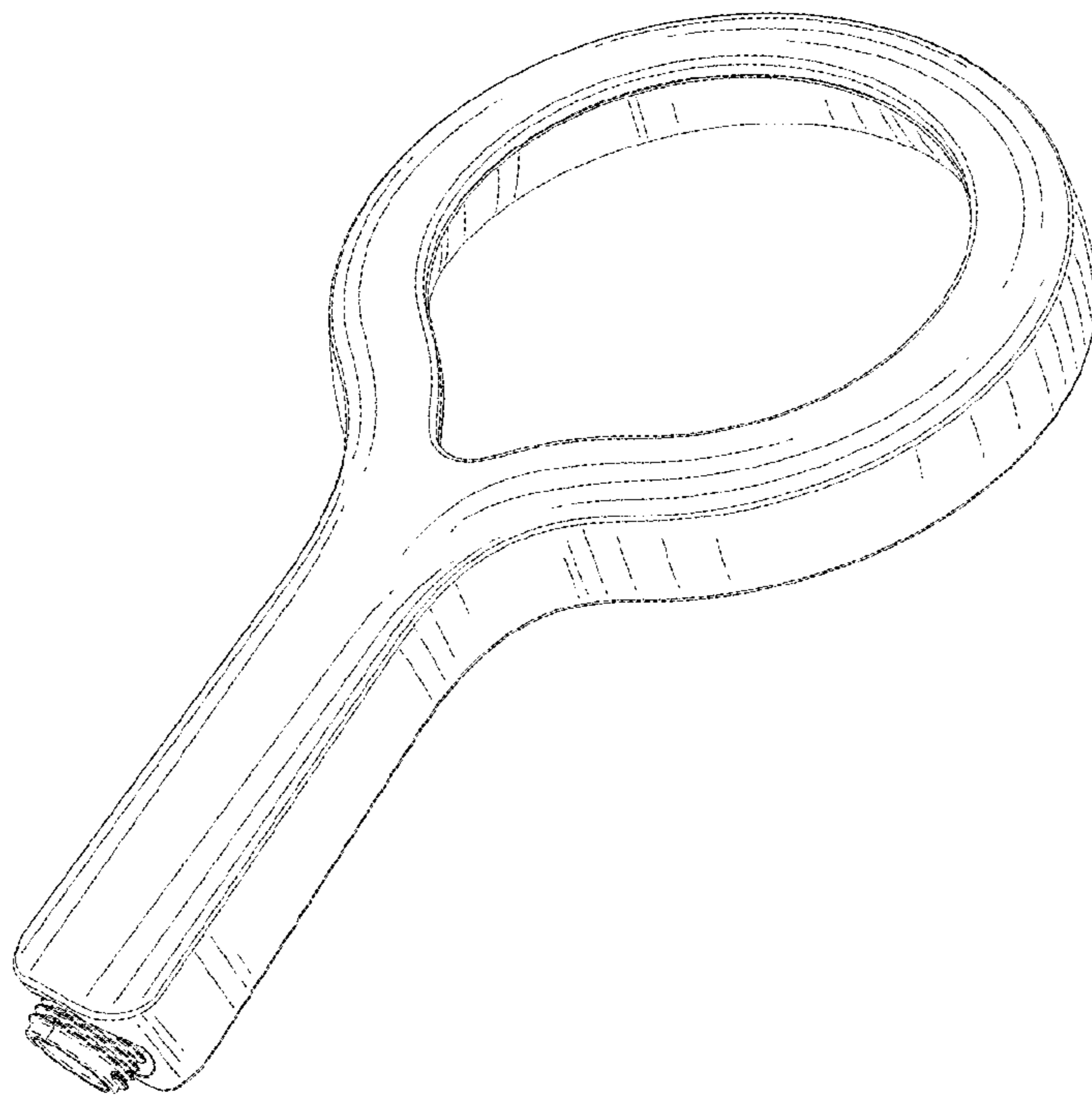


Figure 8

UNITED STATES PATENT AND TRADEMARK OFFICE  
**CERTIFICATE OF CORRECTION**

PATENT NO. : D761,935 S  
APPLICATION NO. : 29/524653  
DATED : July 19, 2016  
INVENTOR(S) : Stephen McLay McCutcheon et al.

Page 1 of 1

It is certified that error appears in the above-identified patent and that said Letters Patent is hereby corrected as shown below:

TITLE PAGE

In column 1, between item (22) and item (51), foreign application priority data should be added, to read:

(30) Foreign Application Priority Data  
October 22, 2014 (NZ).....419480

Signed and Sealed this  
Fourth Day of October, 2016



Michelle K. Lee  
*Director of the United States Patent and Trademark Office*