



US00D761933S

(12) **United States Design Patent**
Quiblier et al.

(10) **Patent No.:** **US D761,933 S**
(45) **Date of Patent:** **** Jul. 19, 2016**

(54) **WATER TREATMENT STATION**
(71) Applicant: **Niskae Sarl**, Pulversheim (FR)
(72) Inventors: **Julien Quiblier**, Oberhergheim (FR);
Sebastien Humbrecht, Pfaffenheim (FR)

D420,720 S * 2/2000 Teran D23/200
D424,660 S * 5/2000 Teran D23/207
D428,468 S * 7/2000 Dea D23/200
D520,595 S * 5/2006 Johnson D23/207
D521,593 S * 5/2006 Mitsis D23/207
8,137,550 B1 * 3/2012 Moe C02F 1/38
175/206

* cited by examiner

(73) Assignee: **Niskae Sarl**, Pulversheim (FR)

Primary Examiner — Robin V Webster

(**) Term: **14 Years**

(74) *Attorney, Agent, or Firm* — Jeffrey T. Placker; Holland & Knight LLP

(21) Appl. No.: **29/512,123**

(22) Filed: **Dec. 17, 2014**

(30) **Foreign Application Priority Data**

Jun. 19, 2014 (CA) 157319

(51) **LOC (10) Cl.** **23-01**

(52) **U.S. Cl.**
USPC **D23/207**

(58) **Field of Classification Search**
USPC D23/207–209, 200; 210/241, 741
CPC E03F 7/10
See application file for complete search history.

(56) **References Cited**

U.S. PATENT DOCUMENTS

D410,726 S * 6/1999 Cook D23/200

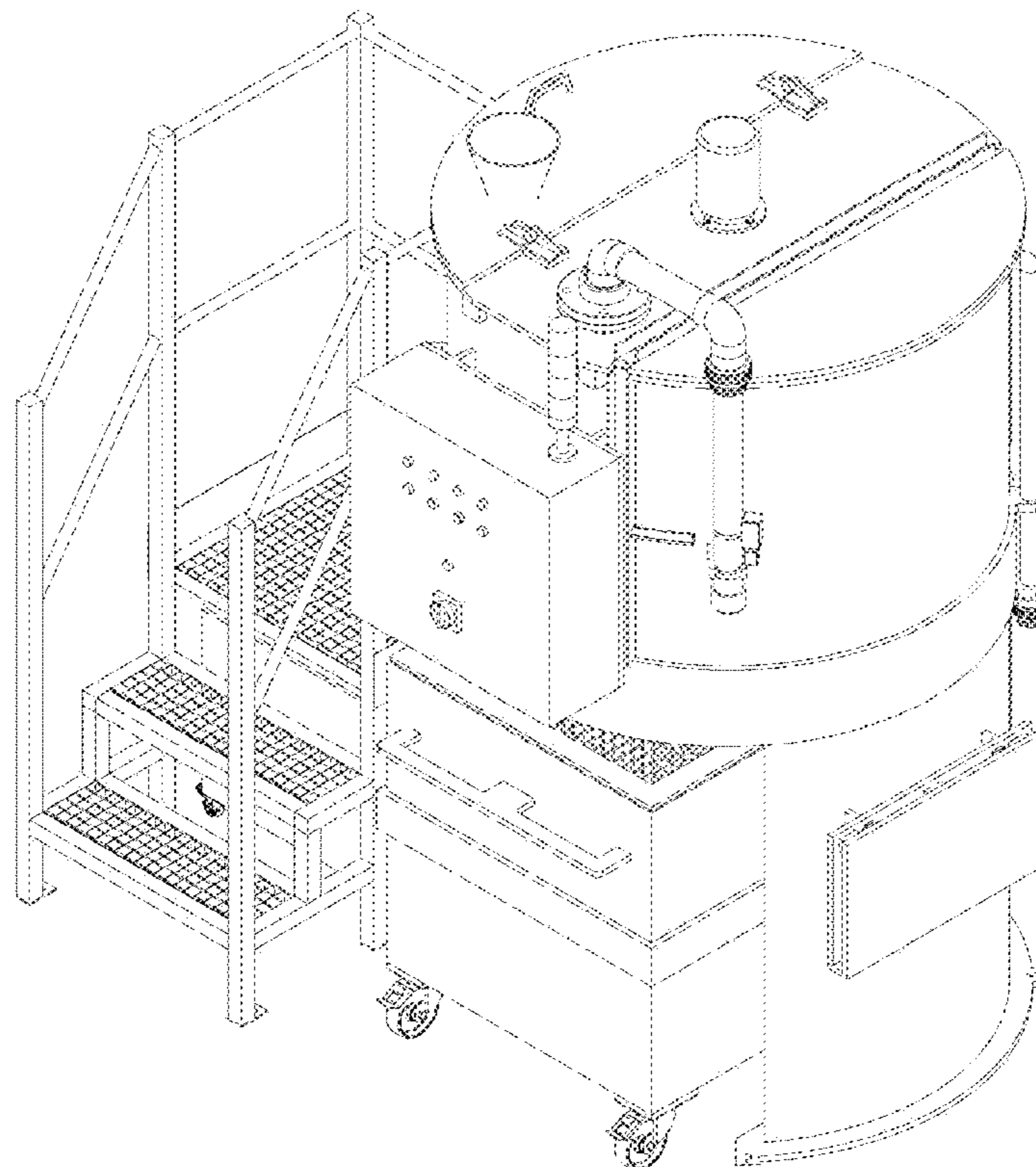
(57) **CLAIM**

The ornamental design for a water treatment station, as shown and described.

DESCRIPTION

FIG. 1 is a front perspective view of a water treatment station; FIG. 2 is a front elevation view thereof; FIG. 3 is a rear elevation view thereof; FIG. 4 is a right side elevation view thereof; FIG. 5 is a left side elevation view thereof; FIG. 6 is a top plan view thereof; and, FIG. 7 is a bottom view thereof.

1 Claim, 7 Drawing Sheets



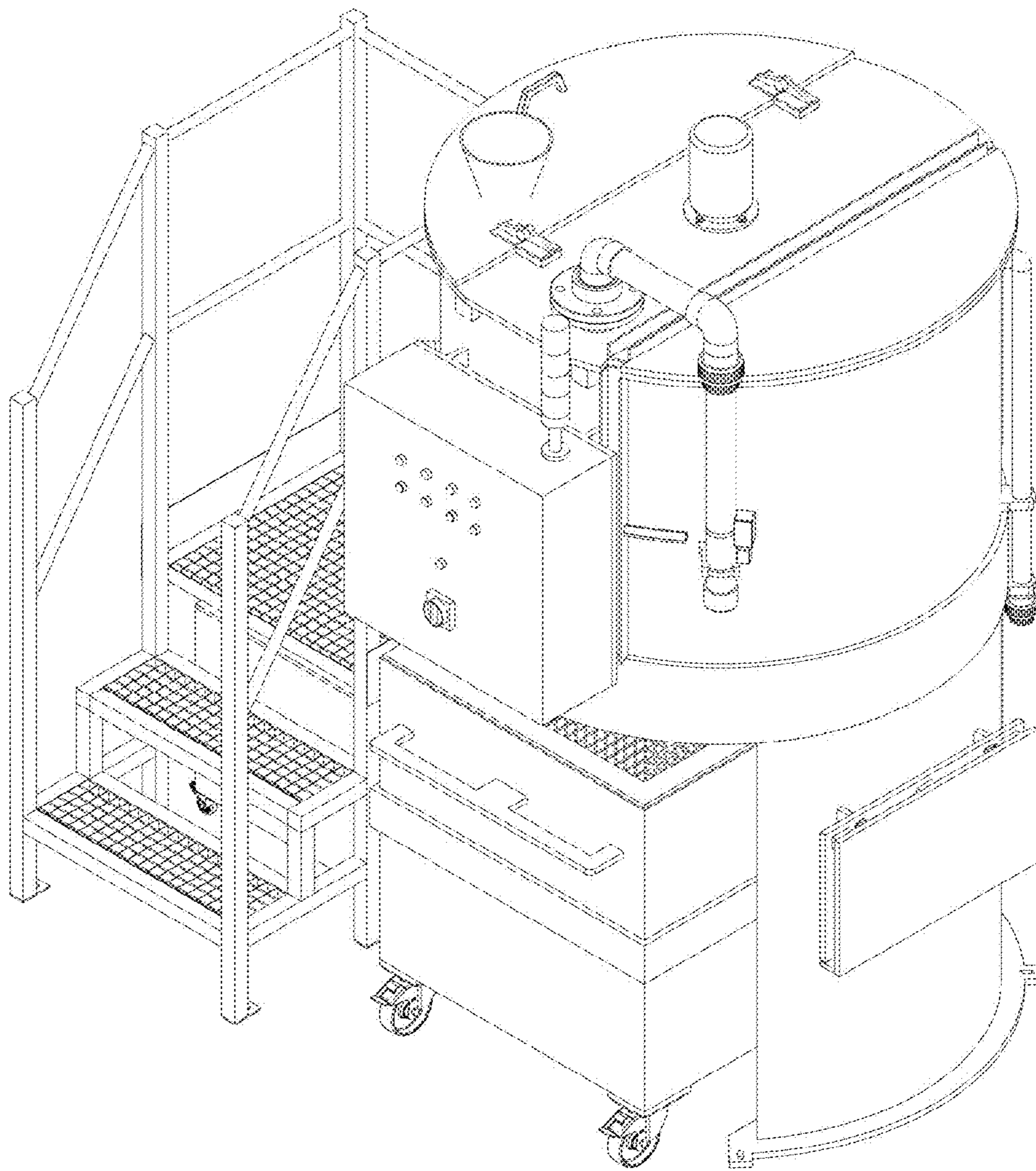


FIG. 1

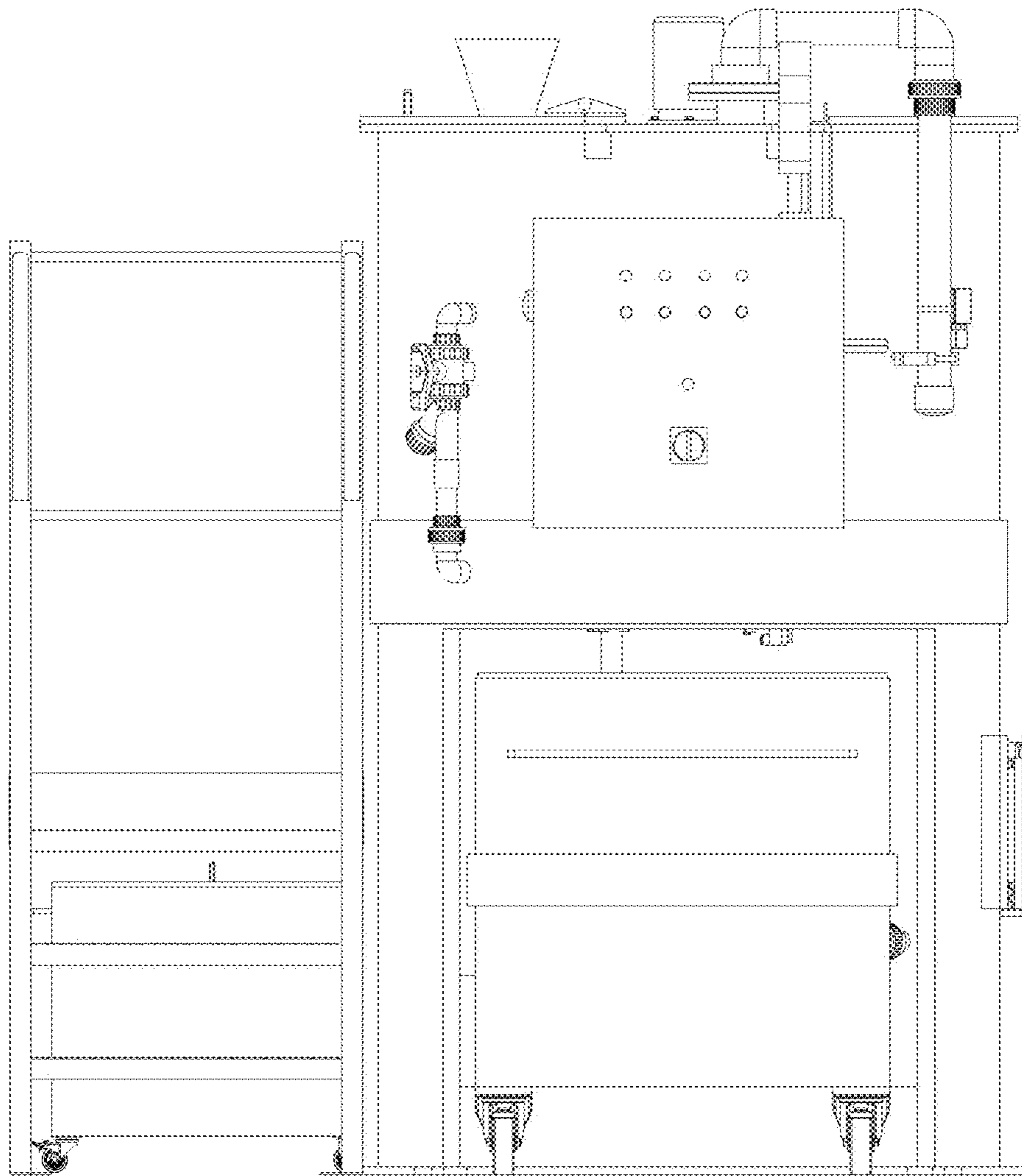


FIG. 2

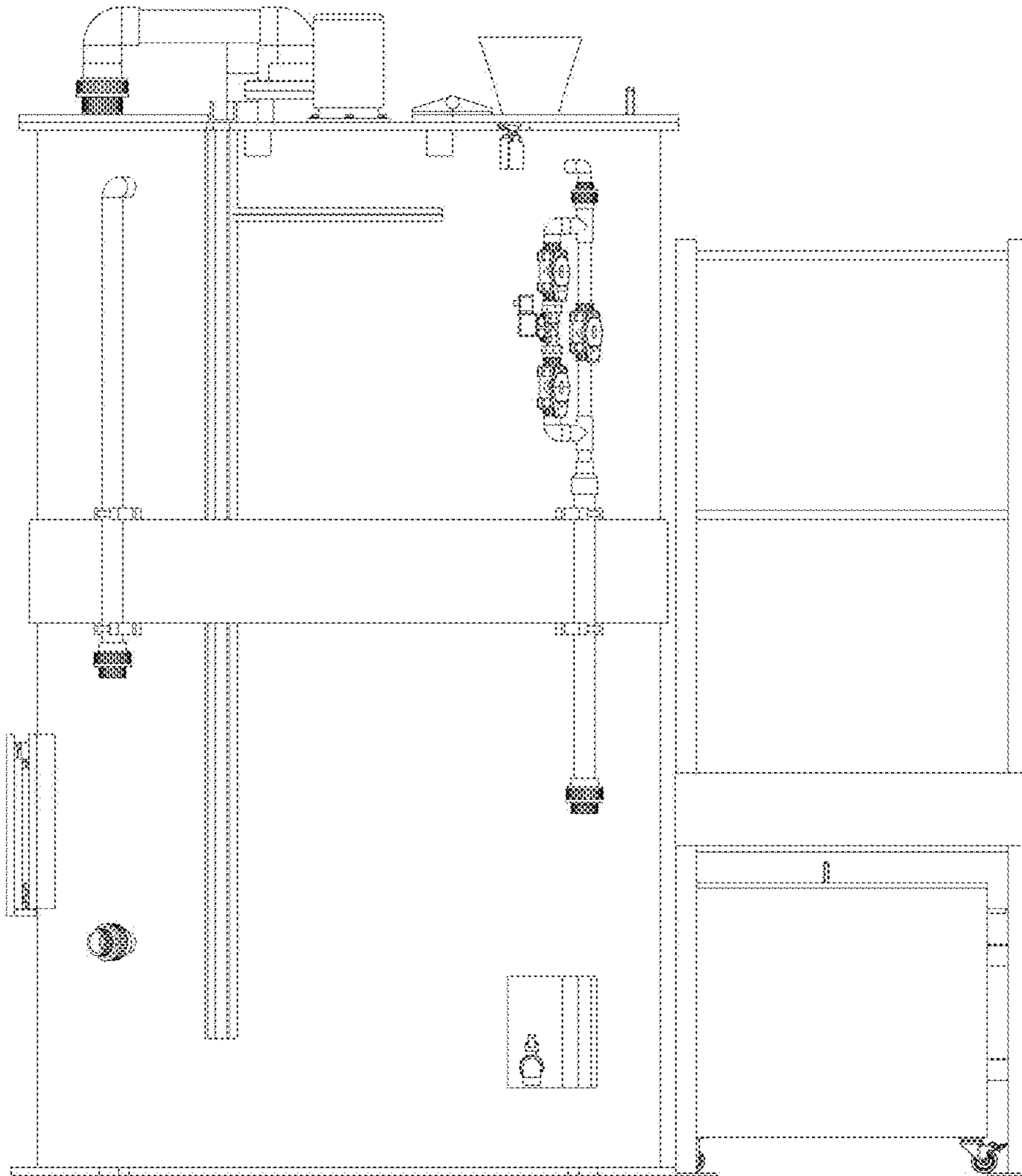


FIG. 3

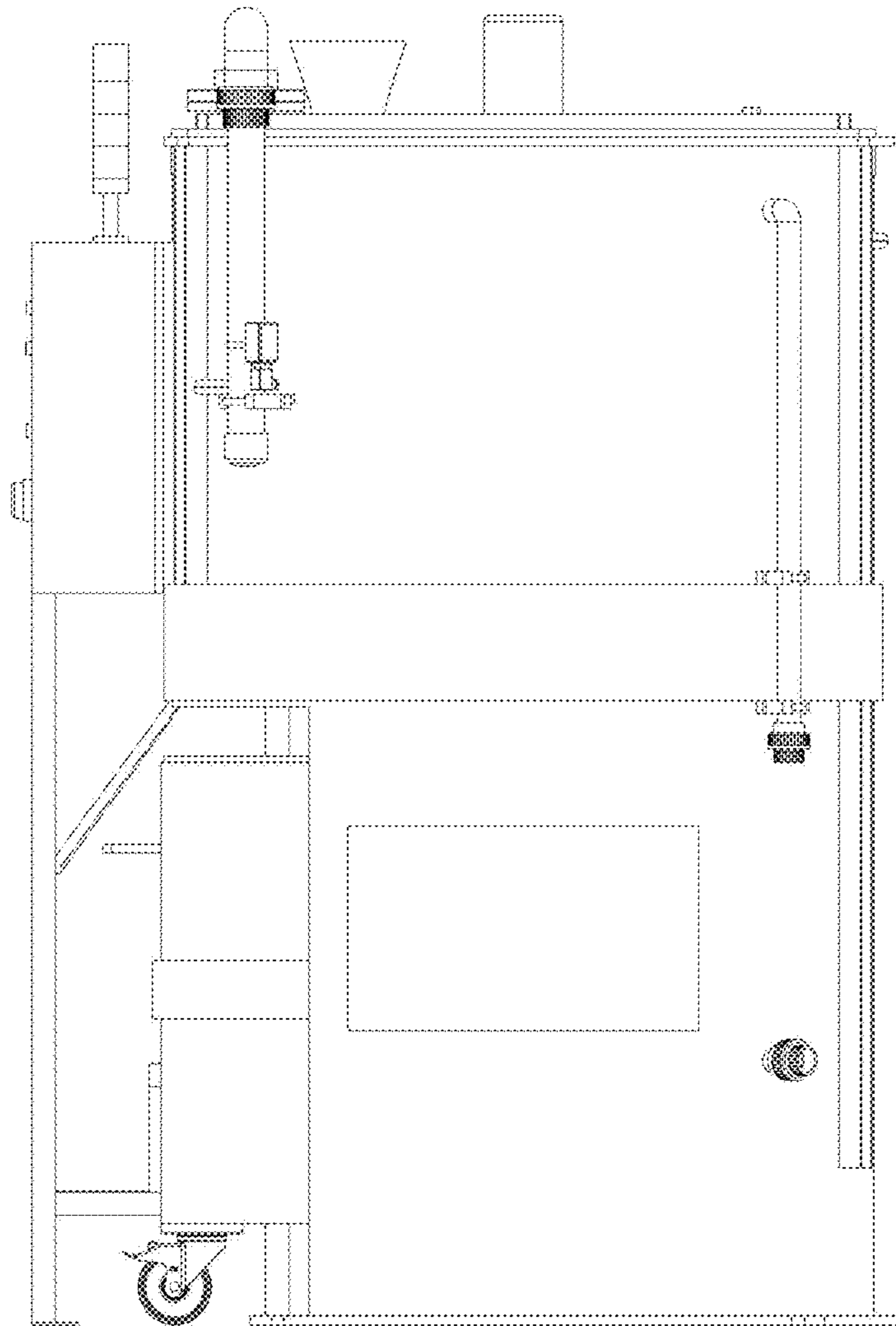


FIG. 4

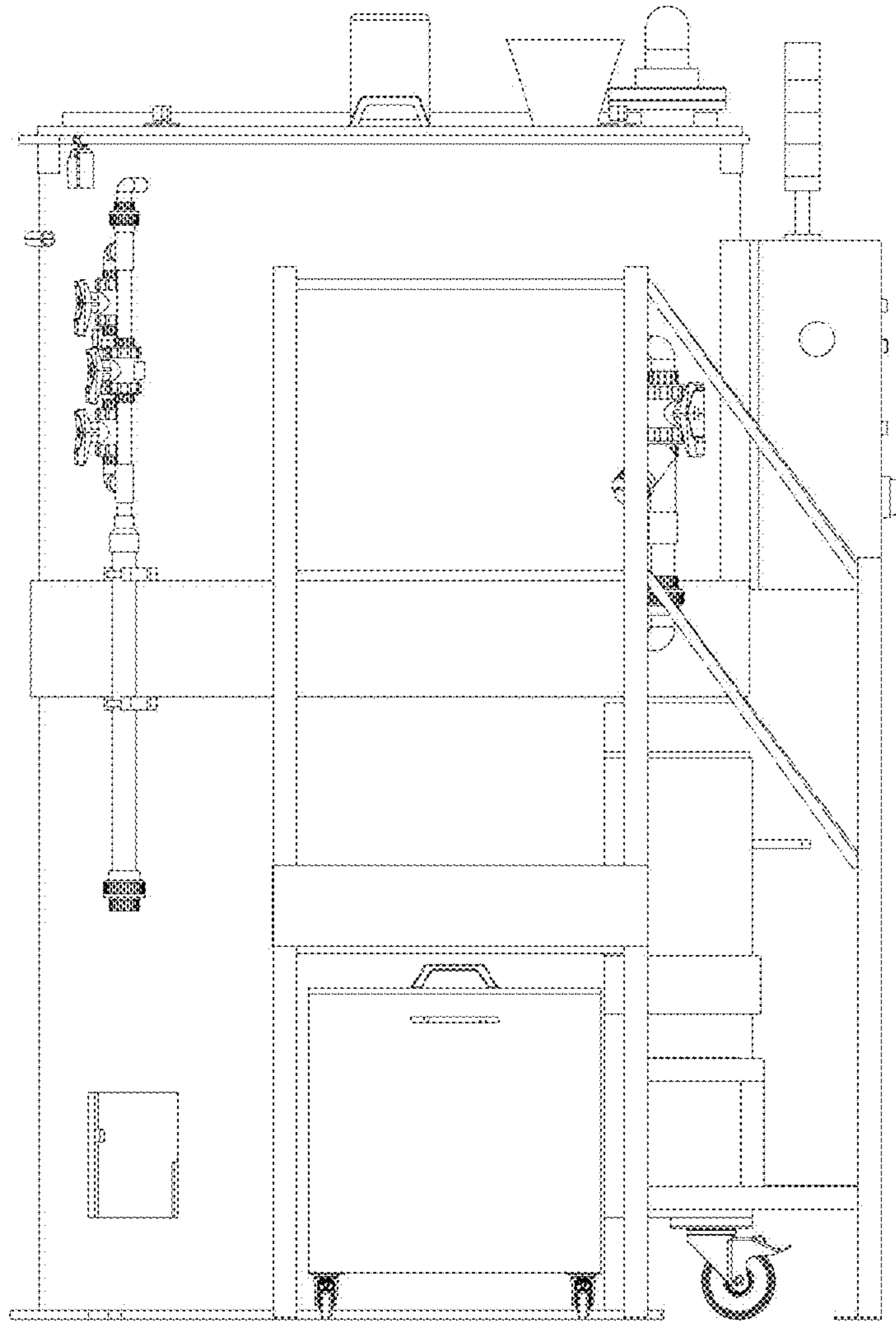


FIG. 5

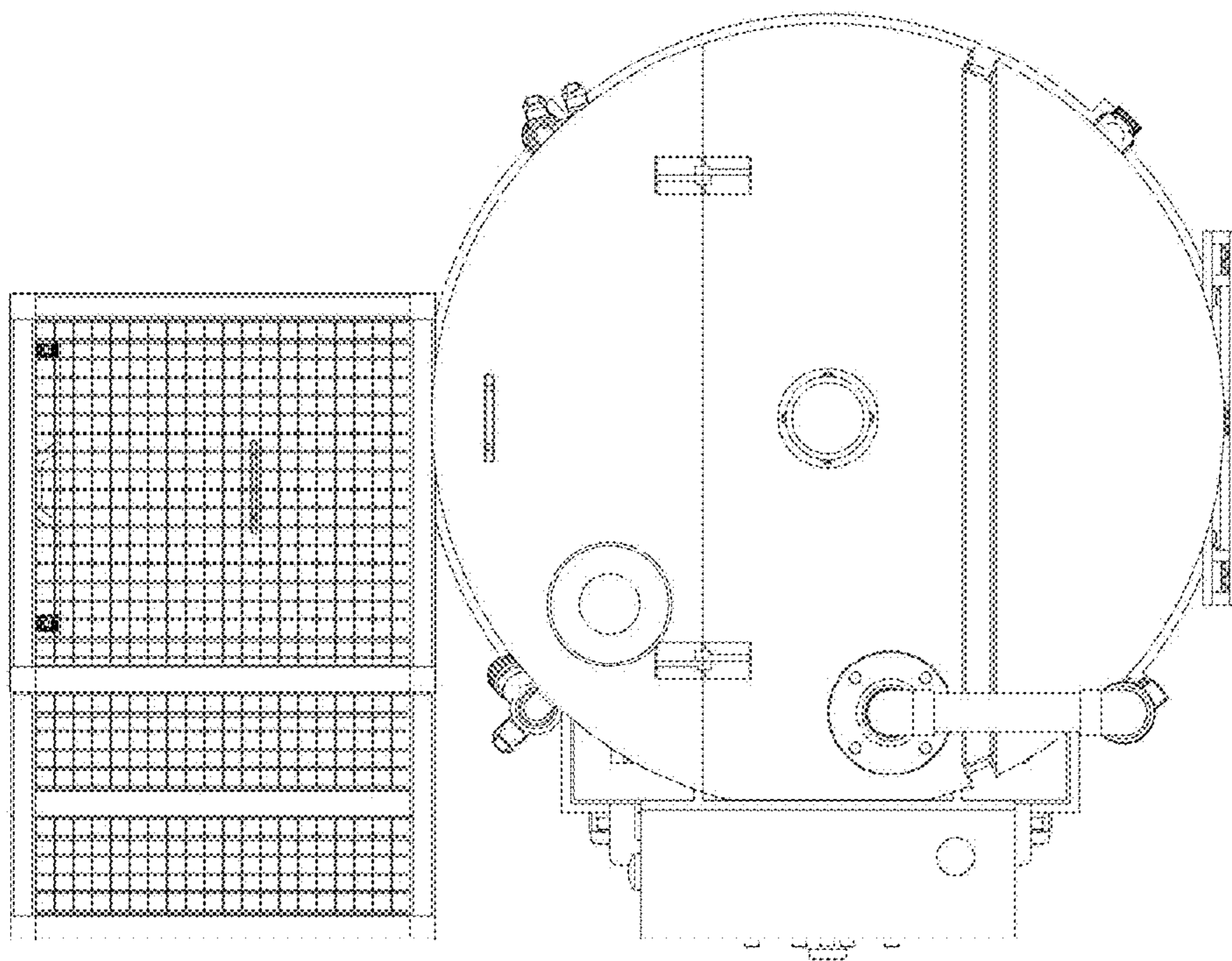


FIG. 6

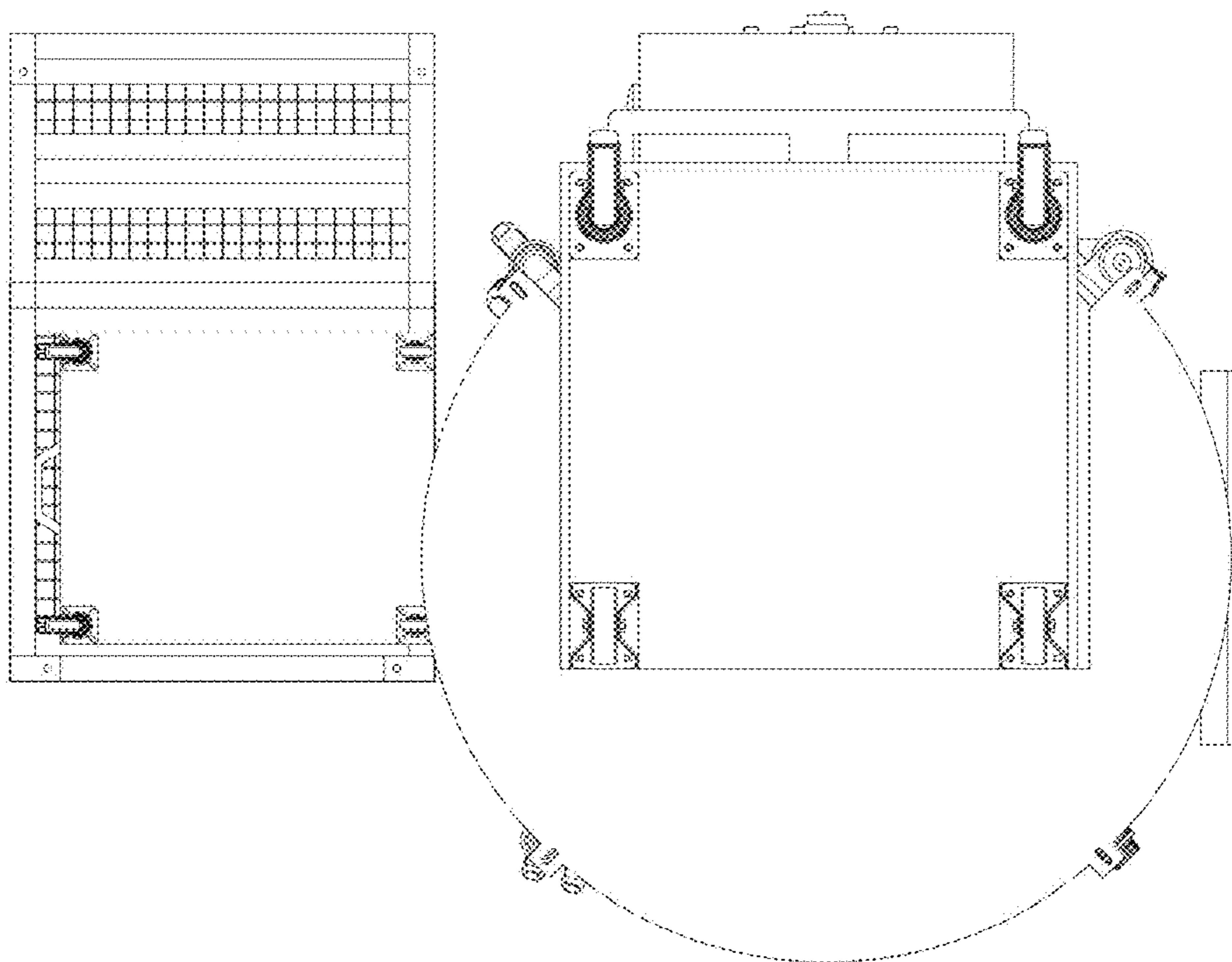


FIG. 7