



US00D761930S

(12) **United States Design Patent**
Josefiv

(10) **Patent No.:** **US D761,930 S**
(45) **Date of Patent:** **** Jul. 19, 2016**

- (54) **ELECTRICAL SHOCK DEVICE**
- (71) Applicant: **Paul Josefiv**, Parma, OH (US)
- (72) Inventor: **Paul Josefiv**, Parma, OH (US)
- (**) Term: **14 Years**
- (21) Appl. No.: **29/507,382**
- (22) Filed: **Oct. 27, 2014**
- (51) **LOC (10) Cl.** **22-01**
- (52) **U.S. Cl.**
USPC **D22/117**
- (58) **Field of Classification Search**
USPC D22/117; D24/168; D3/13-14; 135/66;
D30/155-156; 119/712, 765, 770, 801;
361/232; 231/7; 463/47.3
CPC A01K 15/04; A01K 15/029; F41B 15/04;
F41H 13/0018; H05C 1/04
See application file for complete search history.

- D609,346 S * 2/2010 Yu D22/117
- 8,424,548 B2 4/2013 Willey
- 8,544,421 B2 * 10/2013 Katers A01K 15/003
119/712
- 2009/0199884 A1 8/2009 Lessing
- 2012/0140450 A1 6/2012 Motyka et al.

* cited by examiner

Primary Examiner — Catheri Oliver-Garcia
(74) *Attorney, Agent, or Firm* — Curatolo Sidoti Co., LPA;
Salvatore A. Sidoti; Floyd Trillis, III

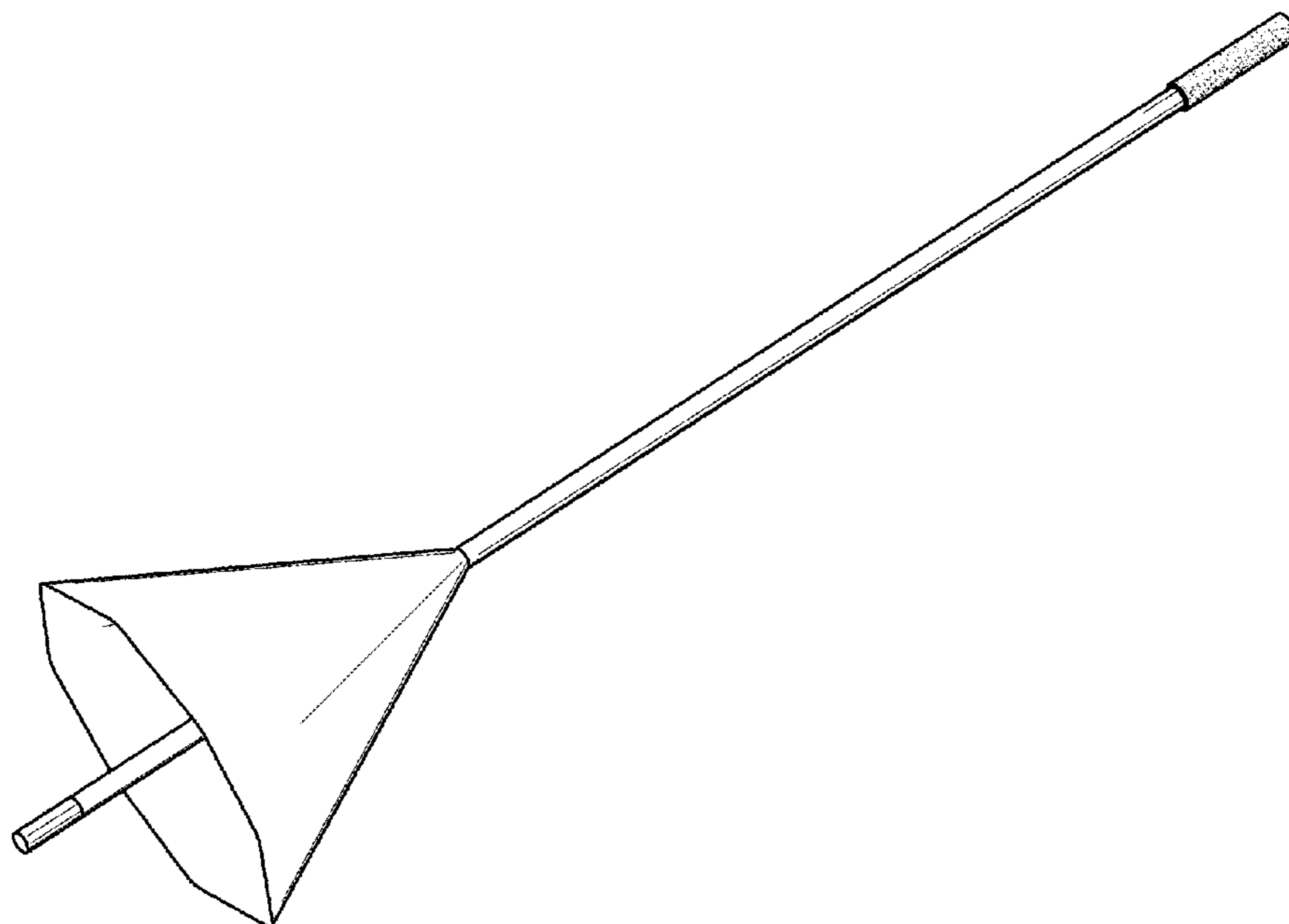
(57) **CLAIM**
The ornamental design for an electrical shock device, as shown and described.

DESCRIPTION

FIG. 1 is a perspective view of a first embodiment of the electrical shock device.
 FIG. 2 is a side view of the electrical shock device shown in FIG. 1.
 FIG. 3 is a top plan view of the electrical shock device shown in FIG. 1;
 FIG. 4 is a bottom plan view of the electrical shock device shown in FIG. 1;
 FIG. 5 is a perspective view of a second embodiment of the electrical shock device.
 FIG. 6 is a side view of the electrical shock device shown in FIG. 5.
 FIG. 7 is a top plan view of the electrical shock device shown in FIG. 5; and,
 FIG. 8 is a bottom plan view of the electrical shock device shown in FIG. 5.

1 Claim, 4 Drawing Sheets

- (56) **References Cited**
U.S. PATENT DOCUMENTS
- 4,093,969 A 6/1978 Maynor, Jr.
- 4,218,990 A * 8/1980 Forrest A01K 15/003
119/801
- 4,367,843 A * 1/1983 Bros F41B 15/04
463/47.3
- D468,066 S * 12/2002 Helms D30/156
- D469,498 S * 1/2003 Oscarsson D22/117
- 6,963,480 B2 * 11/2005 Eccles H05C 1/00
361/232
- 7,525,786 B1 * 4/2009 Douglas F41B 15/027
231/7



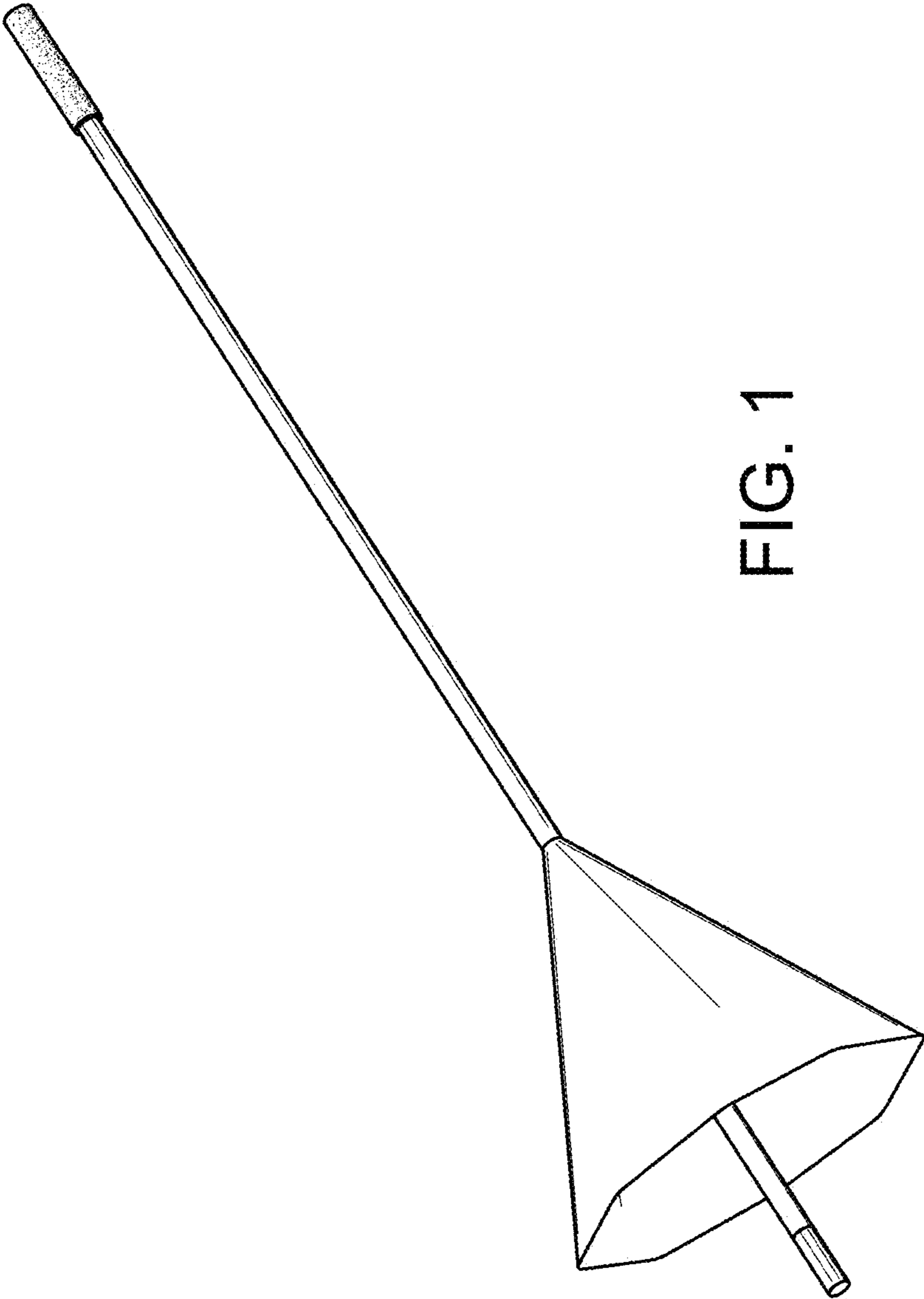


FIG. 1

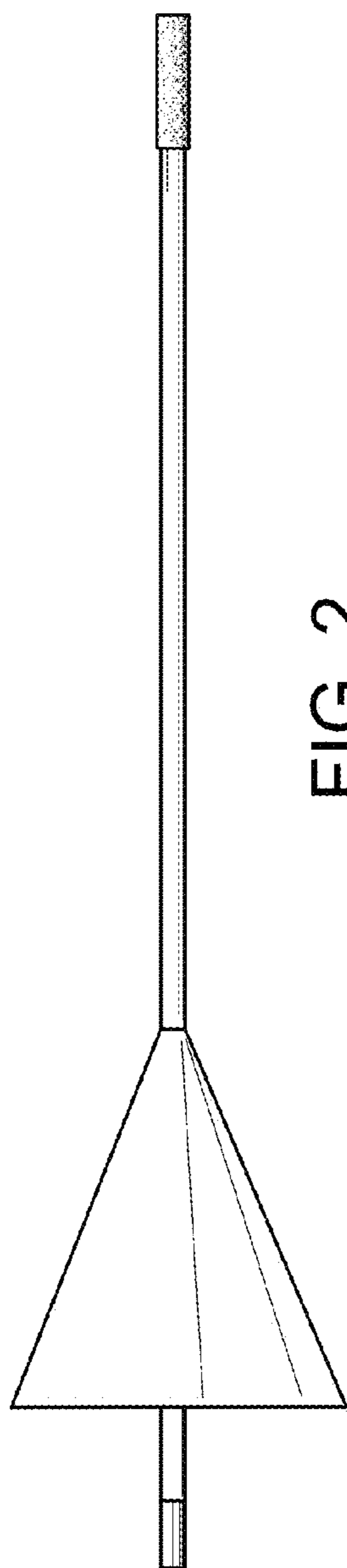


FIG. 2

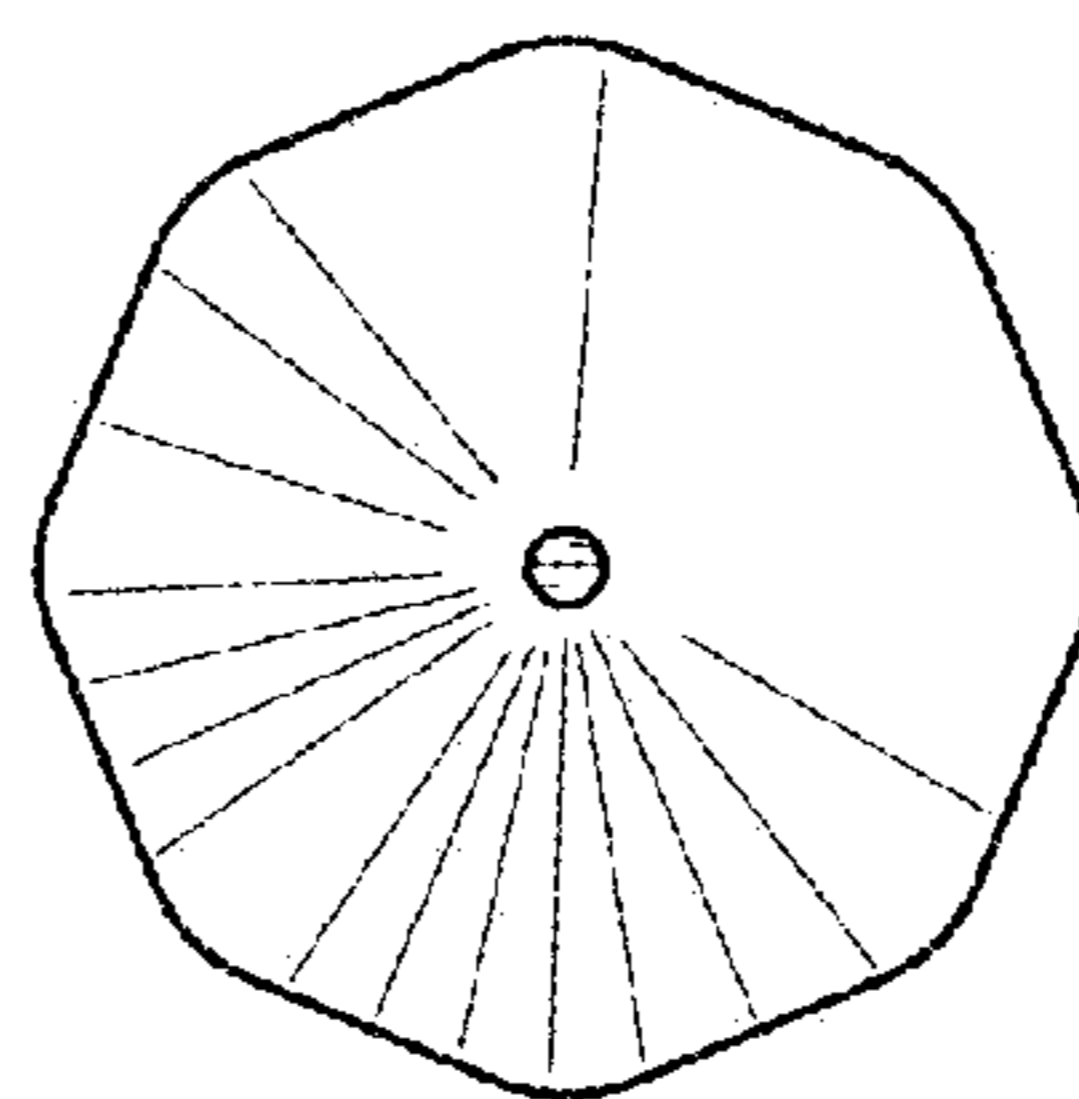


FIG. 4

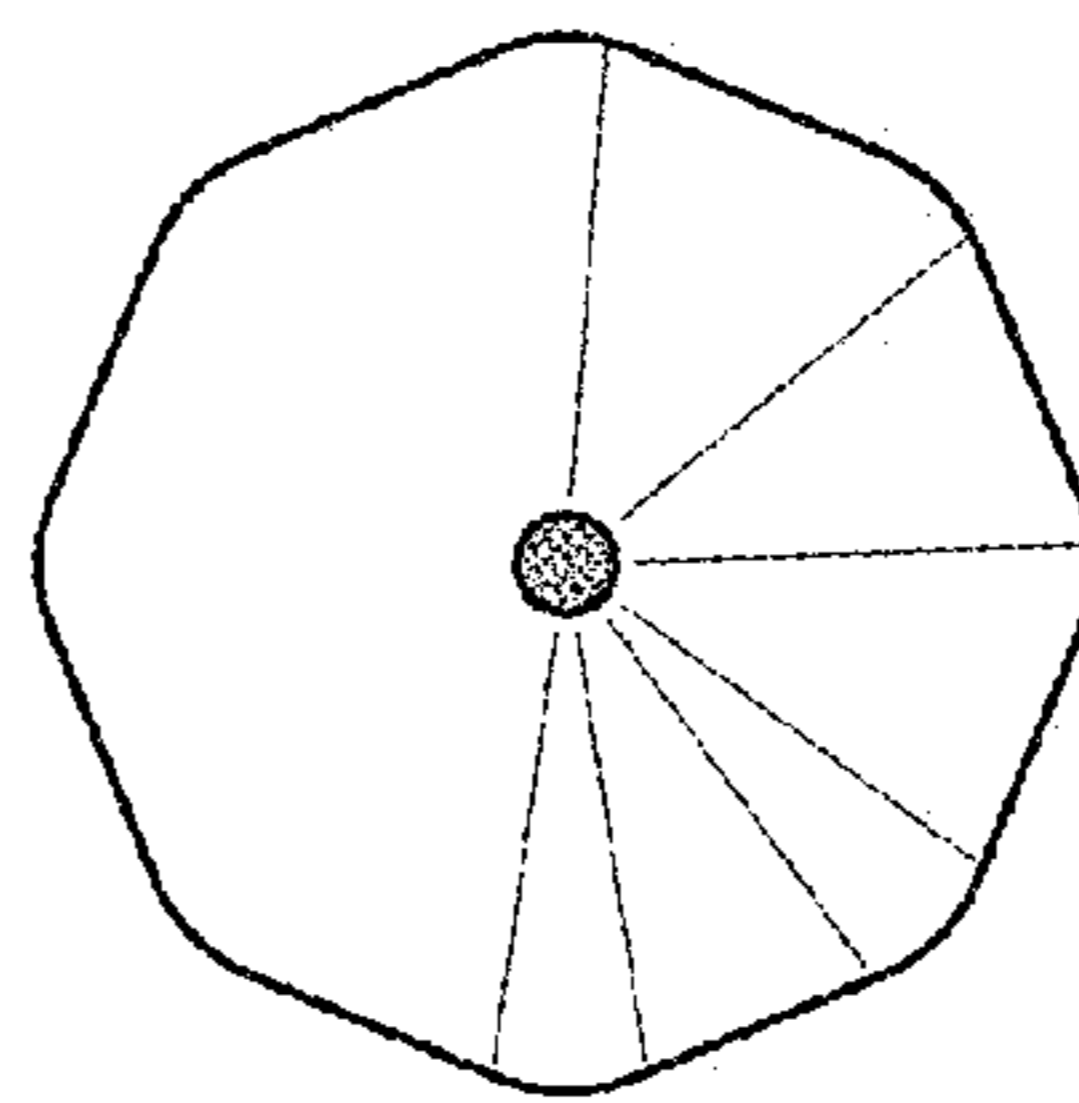


FIG. 3

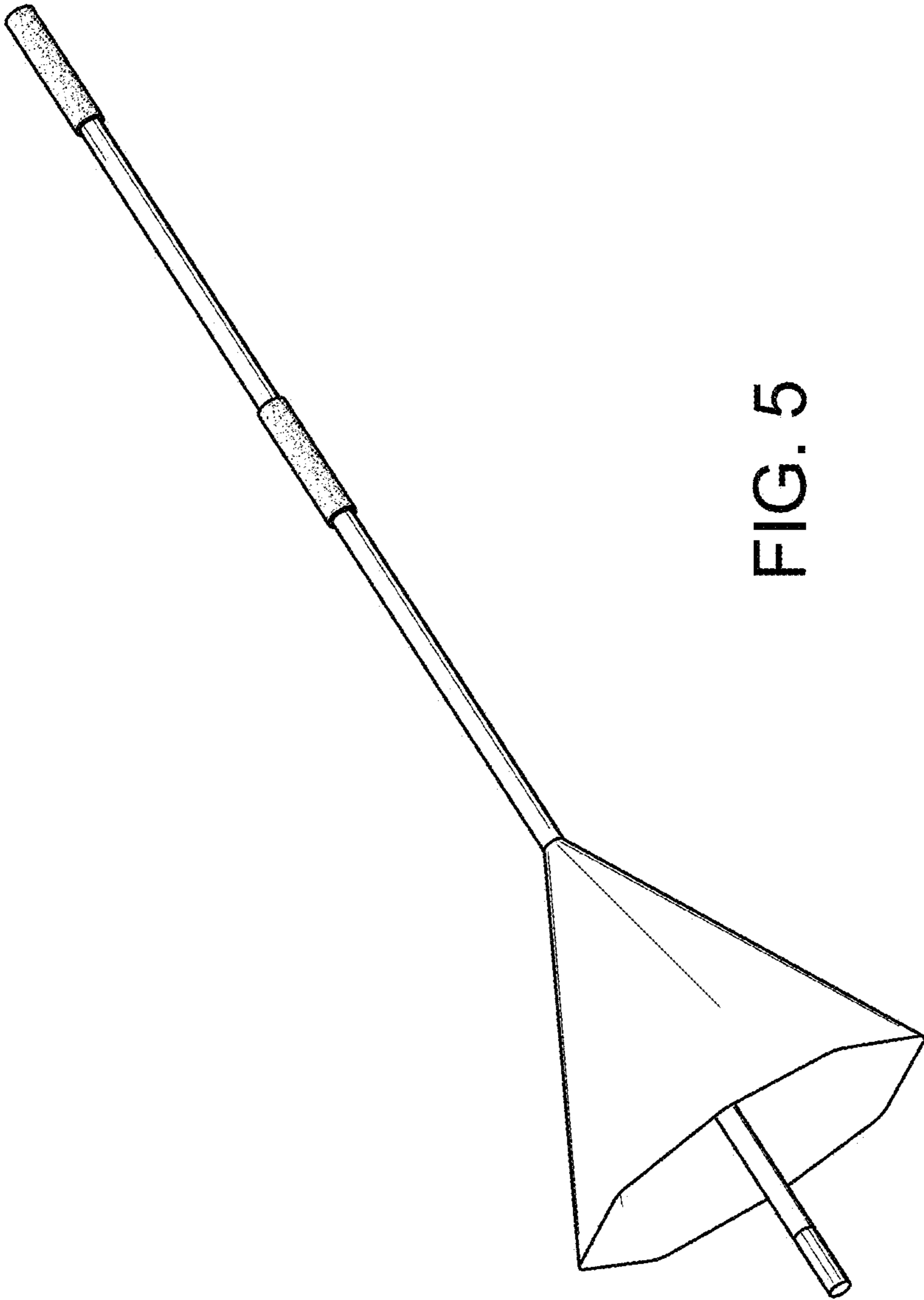


FIG. 5

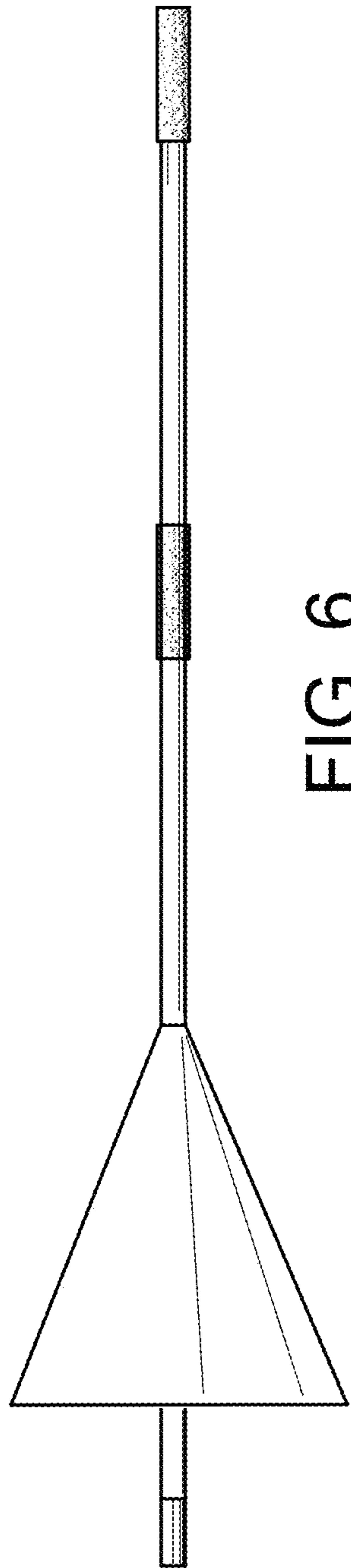


FIG. 6

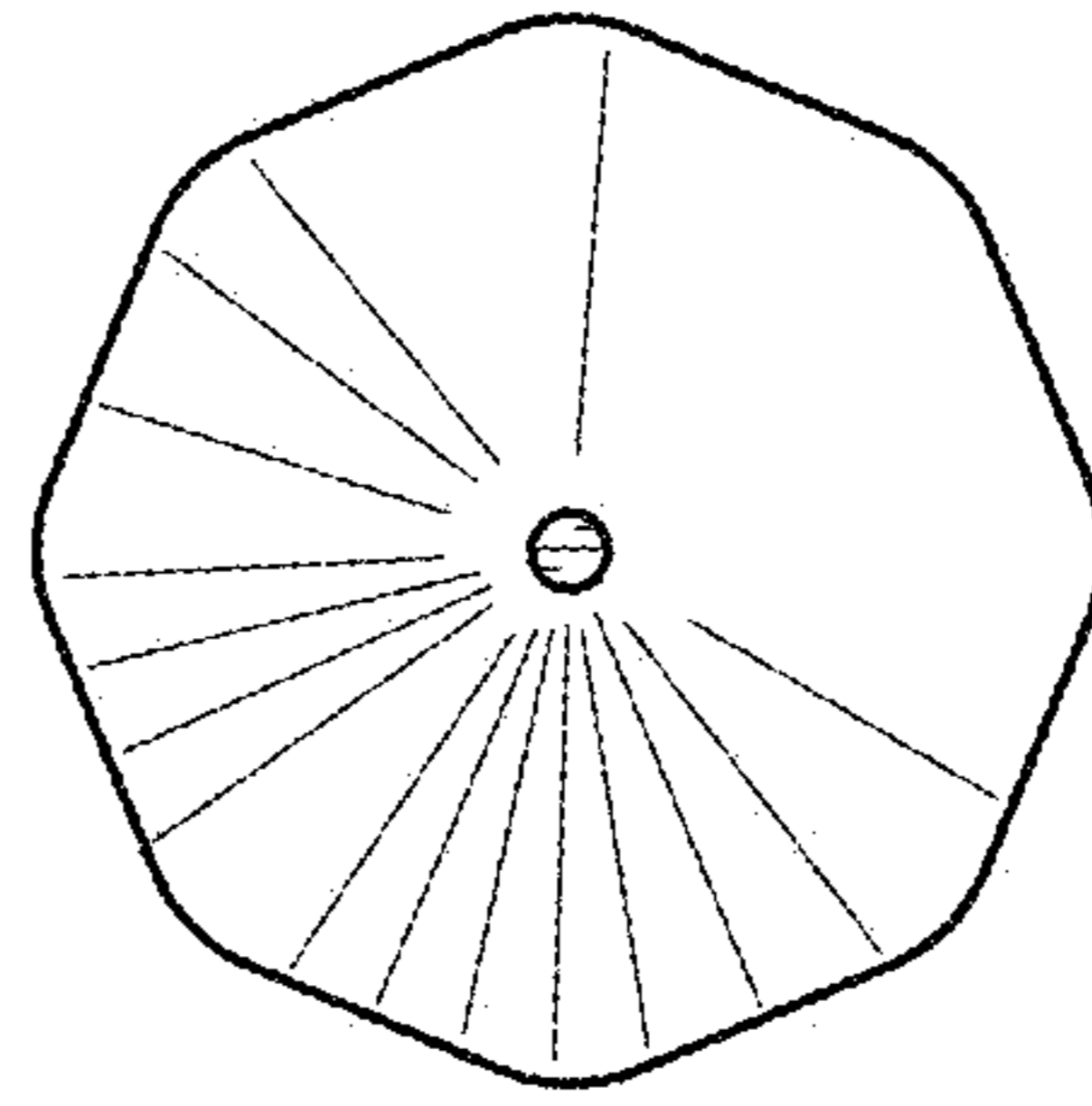


FIG. 8

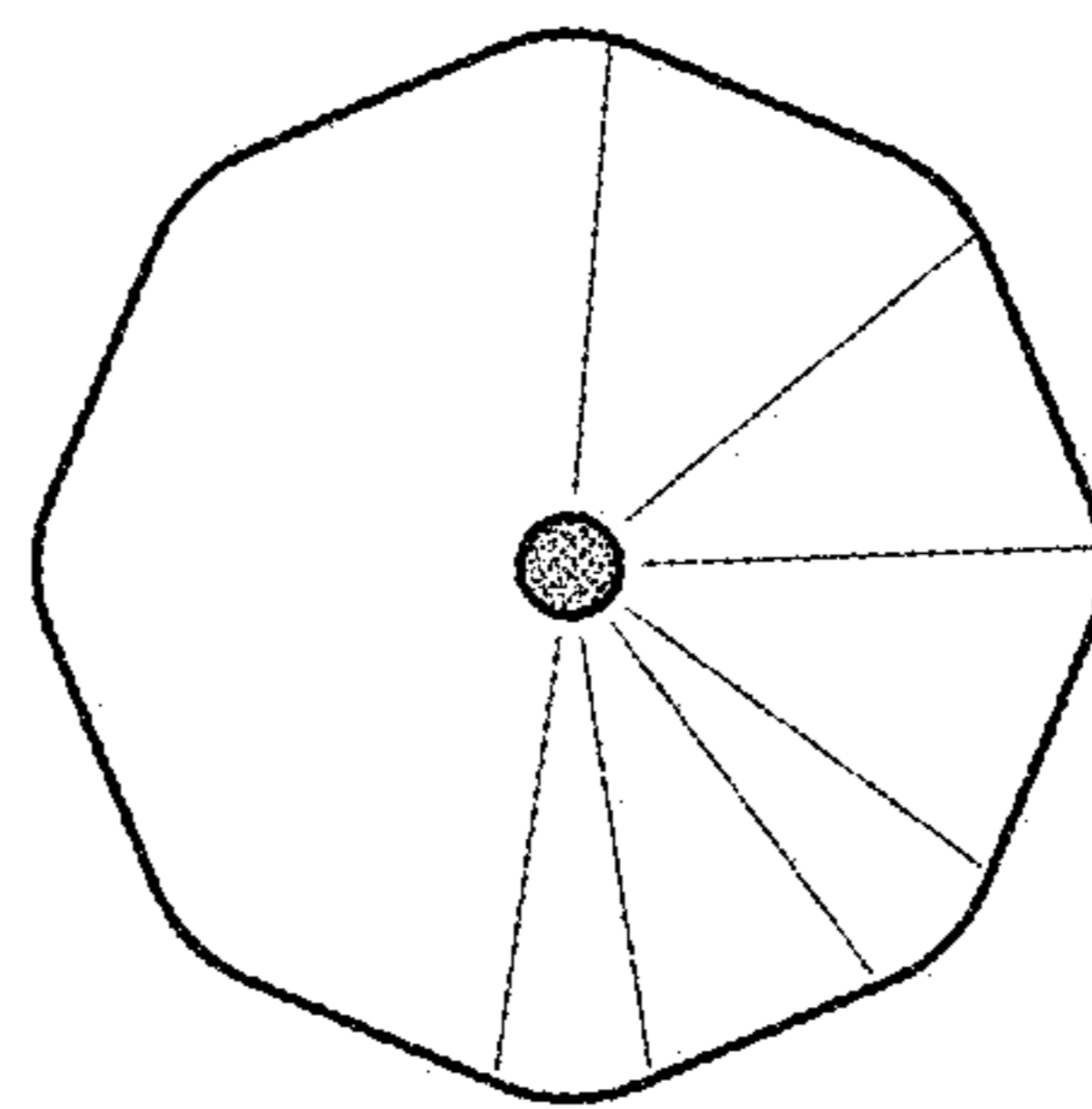


FIG. 7