



US00D761929S

(12) **United States Design Patent**
Hormann

(10) **Patent No.:** **US D761,929 S**
(45) **Date of Patent:** **** Jul. 19, 2016**

- (54) **EXTENDED LOWER KSG RAIL**
- (71) Applicant: **Karl W. Hormann**, Mt. Vernon, NY (US)
- (72) Inventor: **Karl W. Hormann**, Mt. Vernon, NY (US)
- (**) Term: **14 Years**
- (21) Appl. No.: **29/513,247**
- (22) Filed: **Dec. 29, 2014**
- (51) **LOC (10) Cl.** **22-01**
- (52) **U.S. Cl.**
USPC **D22/108**
- (58) **Field of Classification Search**
USPC D22/108
CPC F41A 35/02; F41C 23/16
See application file for complete search history.

- 2013/0061504 A1* 3/2013 Malherbe F41G 11/003
42/84
- 2014/0325889 A1* 11/2014 Michal F41G 11/003
42/75.01
- 2015/0040747 A1* 2/2015 Sirochman F41A 3/72
89/1.4
- 2015/0253104 A1* 9/2015 Holland F41G 1/44
42/71.01

* cited by examiner

Primary Examiner — Michael A Pratt

(74) *Attorney, Agent, or Firm* — Q; Kevin Prince

(57) **CLAIM**

I claim the ornamental design for an extended lower KSG rail, as shown and described.

DESCRIPTION

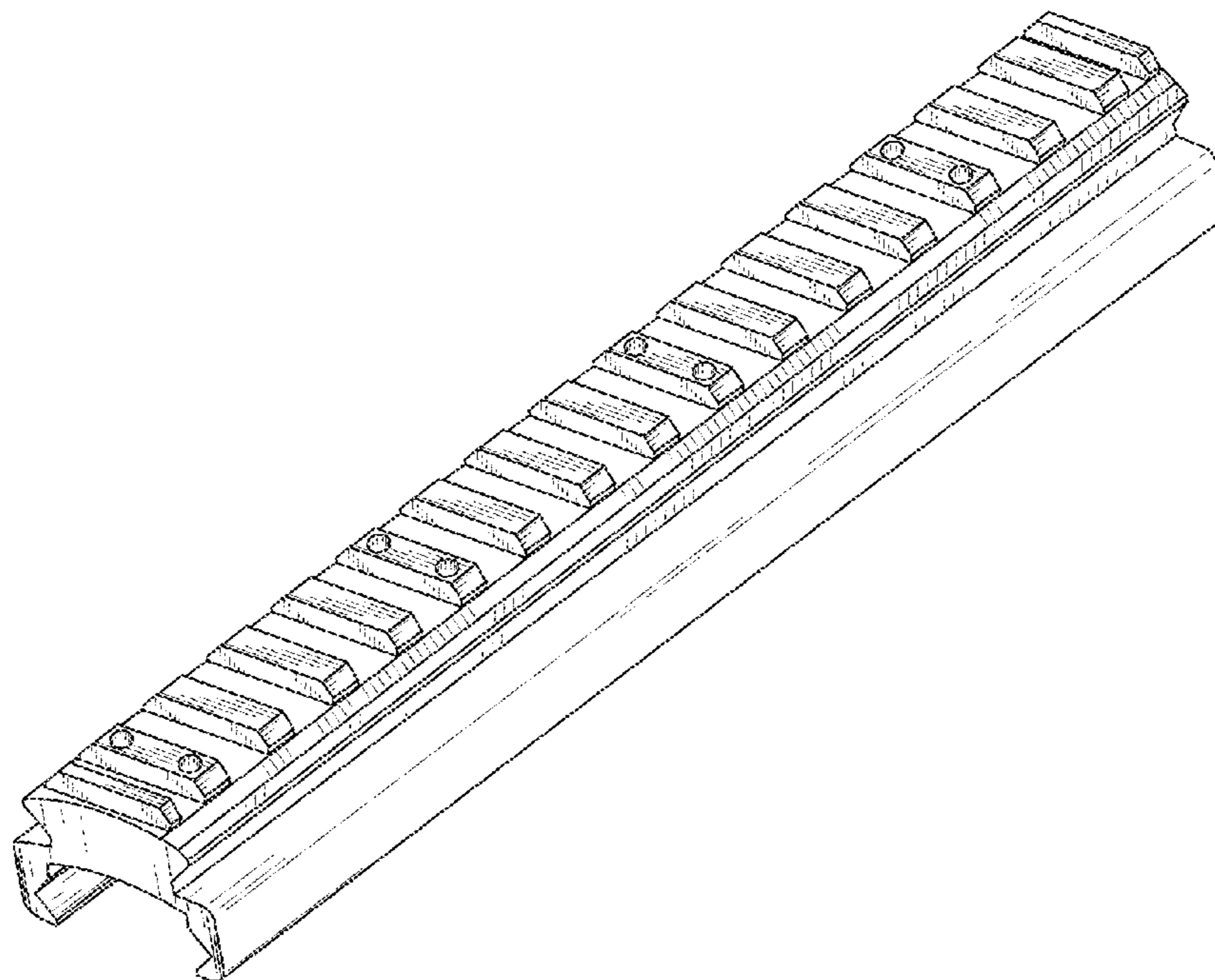
FIG. 1 is a perspective view of an extended lower KSG rail, showing a first embodiment of my new design;
 FIG. 2 is a front elevational view of FIG. 1;
 FIG. 3 is a rear elevational view of FIG. 1;
 FIG. 4 is a left-side elevational view of FIG. 1, the right-side elevational view being a mirror image thereof;
 FIG. 5 is a top plan view of FIG. 1;
 FIG. 6 is a bottom plan view of FIG. 1;
 FIG. 7 is a perspective view of a second embodiment thereof;
 FIG. 8 is a rear elevational view of FIG. 7;
 FIG. 9 is a left-side elevational view of FIG. 7, the right-side elevational view being a mirror image thereof; and,
 FIG. 10 is a bottom plan view of FIG. 7.
 It is understood that the front and top views of both embodiments are identical.

(56) **References Cited**

U.S. PATENT DOCUMENTS

- D654,134 S * 2/2012 Edge D22/108
- D676,095 S * 2/2013 Peterson D22/108
- D701,934 S * 4/2014 Castaneda D22/108
- D705,885 S * 5/2014 Peterson D22/108
- D726,864 S * 4/2015 Huang, Sr. D22/108
- 2012/0198990 A1* 8/2012 Brittin F41A 5/26
89/191.01
- 2012/0311910 A1* 12/2012 Mironichev F41C 23/10
42/90
- 2013/0008071 A1* 1/2013 Haering F41G 11/003
42/75.01
- 2013/0008072 A1* 1/2013 Chung F41G 1/30
42/113

1 Claim, 4 Drawing Sheets



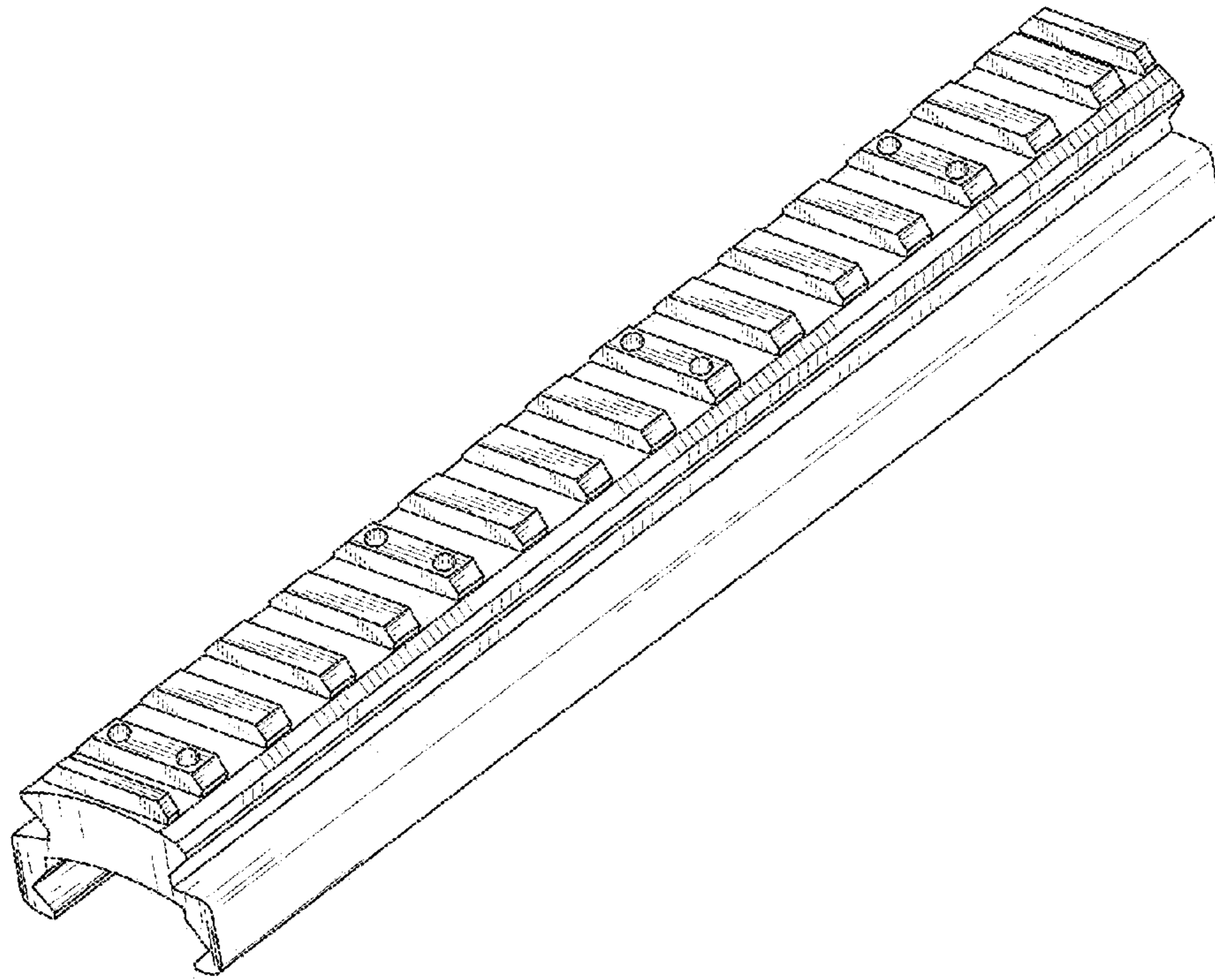


FIG. 1

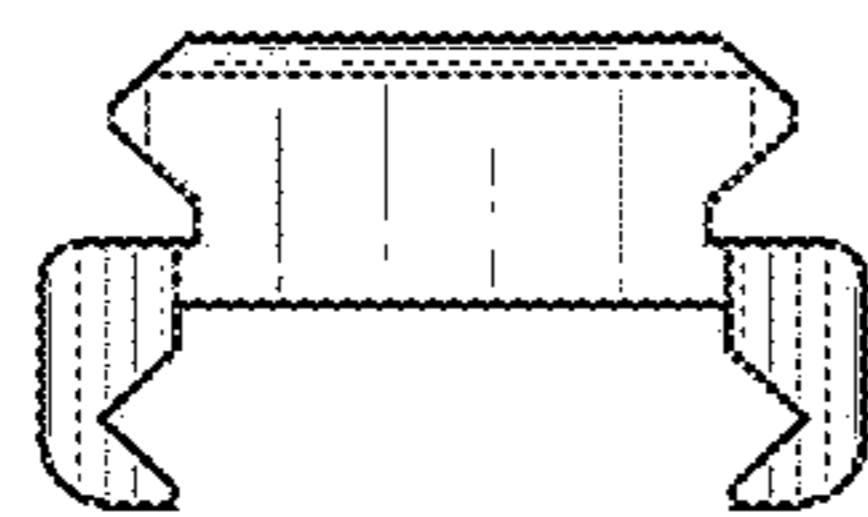


FIG. 5

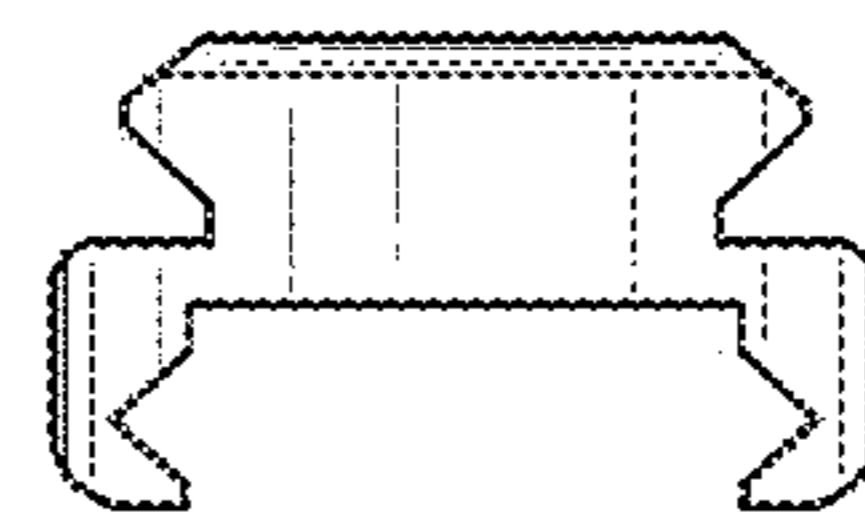


FIG. 6

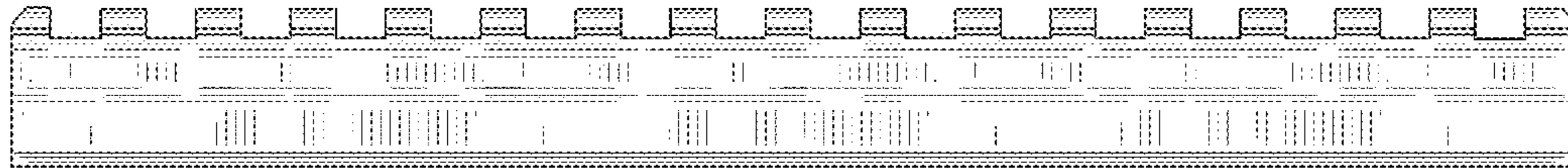


FIG. 2

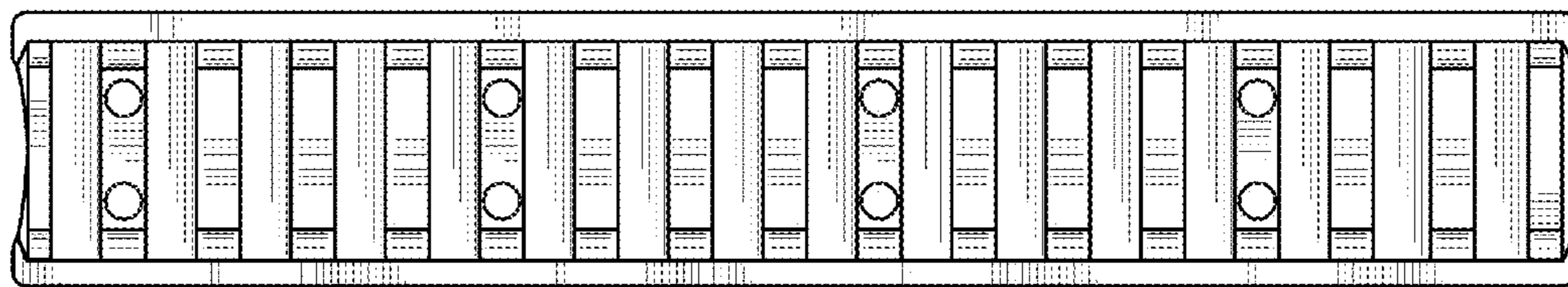


FIG. 3

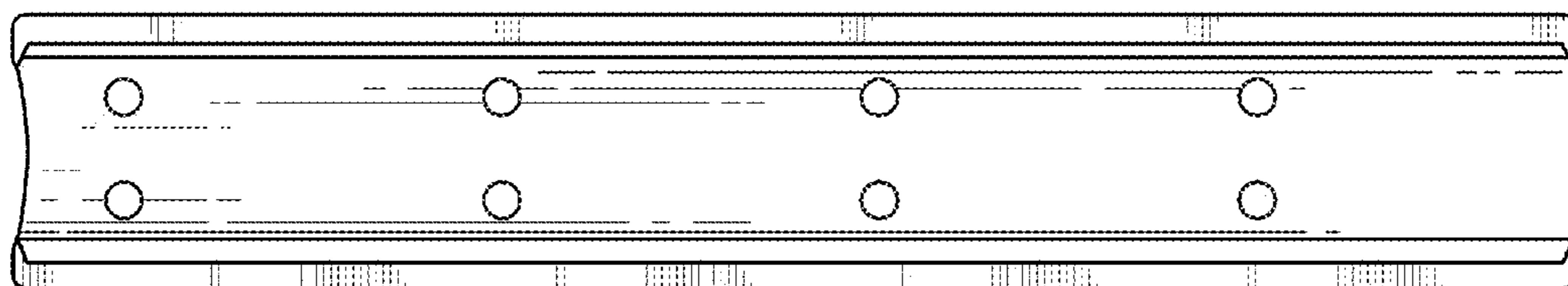


FIG. 4

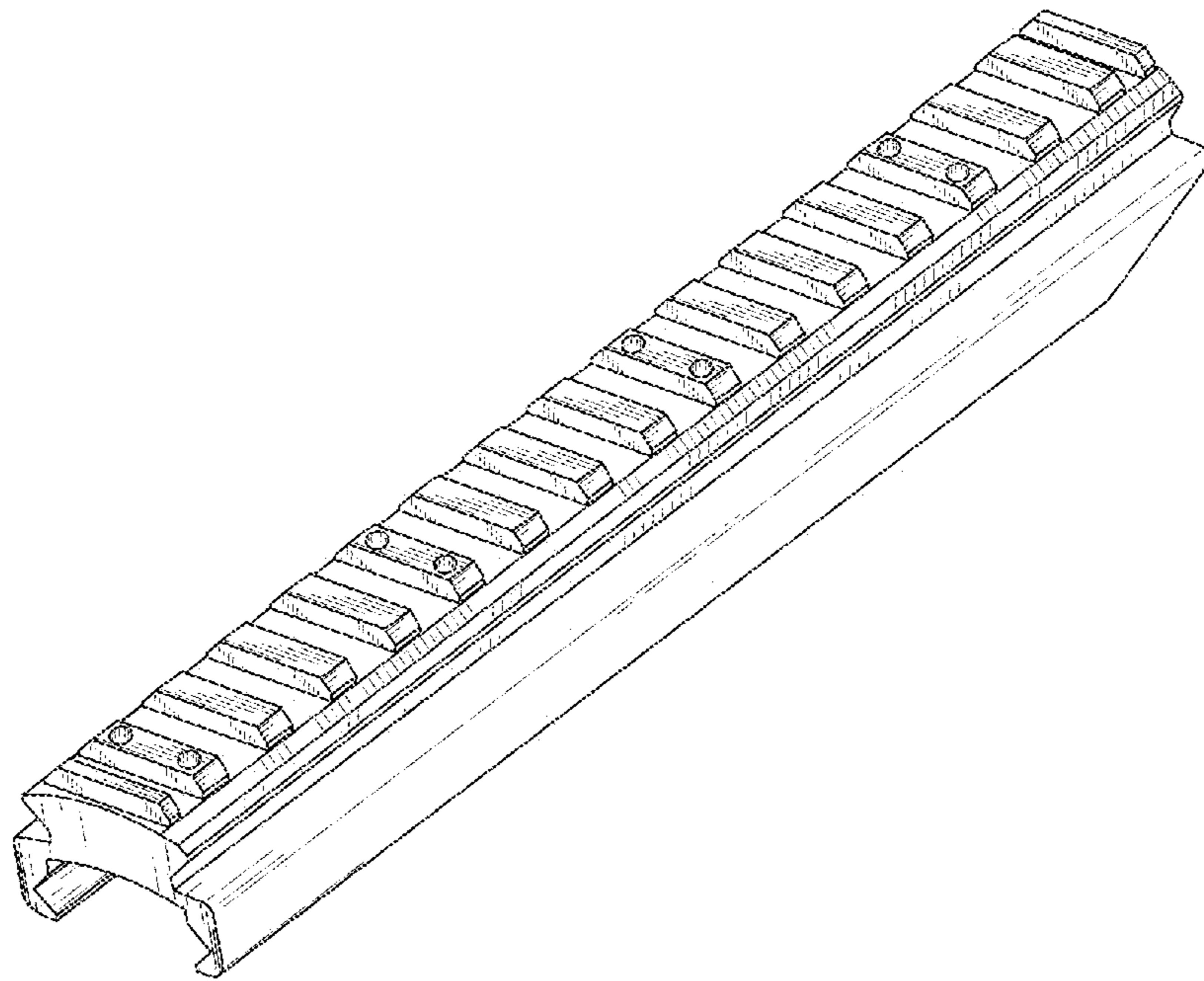


FIG. 7

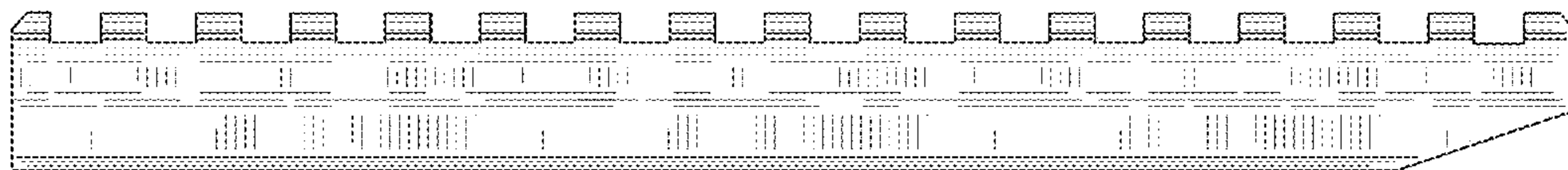


FIG. 8

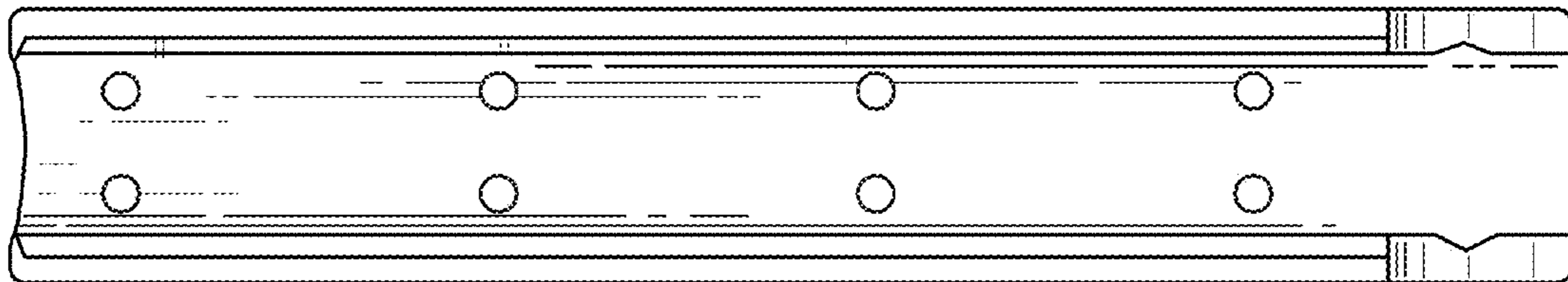


FIG. 9

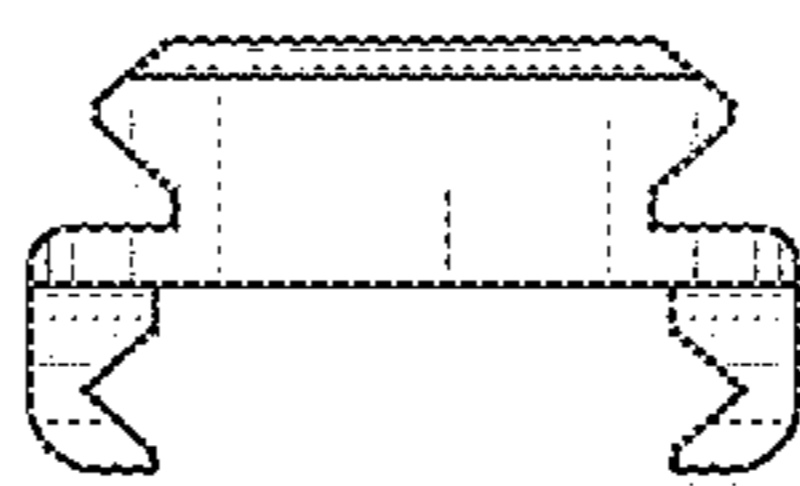


FIG. 10