



US00D761925S

(12) **United States Design Patent**
Phelan, Jr.

(10) **Patent No.:** **US D761,925 S**
(45) **Date of Patent:** **** Jul. 19, 2016**

- (54) **ANGLED KNOB FOR A SPORTS STICK**
- (71) Applicant: **Gerald Leo Phelan, Jr.**, Saint Louis, MO (US)
- (72) Inventor: **Gerald Leo Phelan, Jr.**, Saint Louis, MO (US)
- (73) Assignee: **PROXR, LLC**, St. Louis, MO (US)
- (**) Term: **14 Years**
- (21) Appl. No.: **29/496,541**
- (22) Filed: **Jul. 14, 2014**
- (51) **LOC (10) Cl.** **21-02**
- (52) **U.S. Cl.**
USPC **D21/753**
- (58) **Field of Classification Search**
USPC D21/727, 733, 752, 756-759, 753
CPC A63B 60/10; A63B 59/50; A63B 60/34;
A63B 59/00; A63B 59/06; A63B 59/0092
See application file for complete search history.

(56) **References Cited**

U.S. PATENT DOCUMENTS

- D178,866 S * 10/1956 Cole, Sr. D21/725
- 3,554,545 A * 1/1971 Mann A63B 59/50
473/564
- D273,759 S * 5/1984 Drori D8/75
- 5,482,072 A * 1/1996 Cimino B25G 1/10
135/72
- D444,193 S * 6/2001 Dodson D21/725
- D444,834 S * 7/2001 Tucker, Sr. D21/753

- 7,744,497 B2 * 6/2010 Phelan, Jr. A63B 60/12
473/457
- 7,878,930 B2 * 2/2011 Leinert A63B 59/0014
473/568
- D702,781 S * 4/2014 Paxson D21/725
- D714,407 S * 9/2014 Santorelli D21/725
- 8,845,462 B2 * 9/2014 Chung A63B 59/50
422/422

* cited by examiner

Primary Examiner — Mitchell Siegel

(74) *Attorney, Agent, or Firm* — Bryan Cave LLP

(57) **CLAIM**

The ornamental design for an angled knob for a sports stick, as shown and described.

DESCRIPTION

FIG. 1 is a left profile view of the angled knob for a sports stick.
 FIG. 2 is a front view of FIG. 1.
 FIG. 3 is a right profile view of FIG. 1.
 FIG. 4 is a back view of FIG. 1.
 FIG. 5 is a bottom rear perspective view of FIG. 1.
 FIG. 6 is a top plan view of FIGS. 1 and 8.
 FIG. 7 is a bottom plan view of FIGS. 1 and 8.
 FIG. 8 is a left profile view of the angled knob design with a shortened knob section.
 FIG. 9 is a rear view of FIG. 8.
 FIG. 10 is a right profile view of FIG. 8; and,
 FIG. 11 is a front view of FIG. 8.
 The broken line showing is for illustrative purposes only and forms no part of the claimed design.

1 Claim, 6 Drawing Sheets

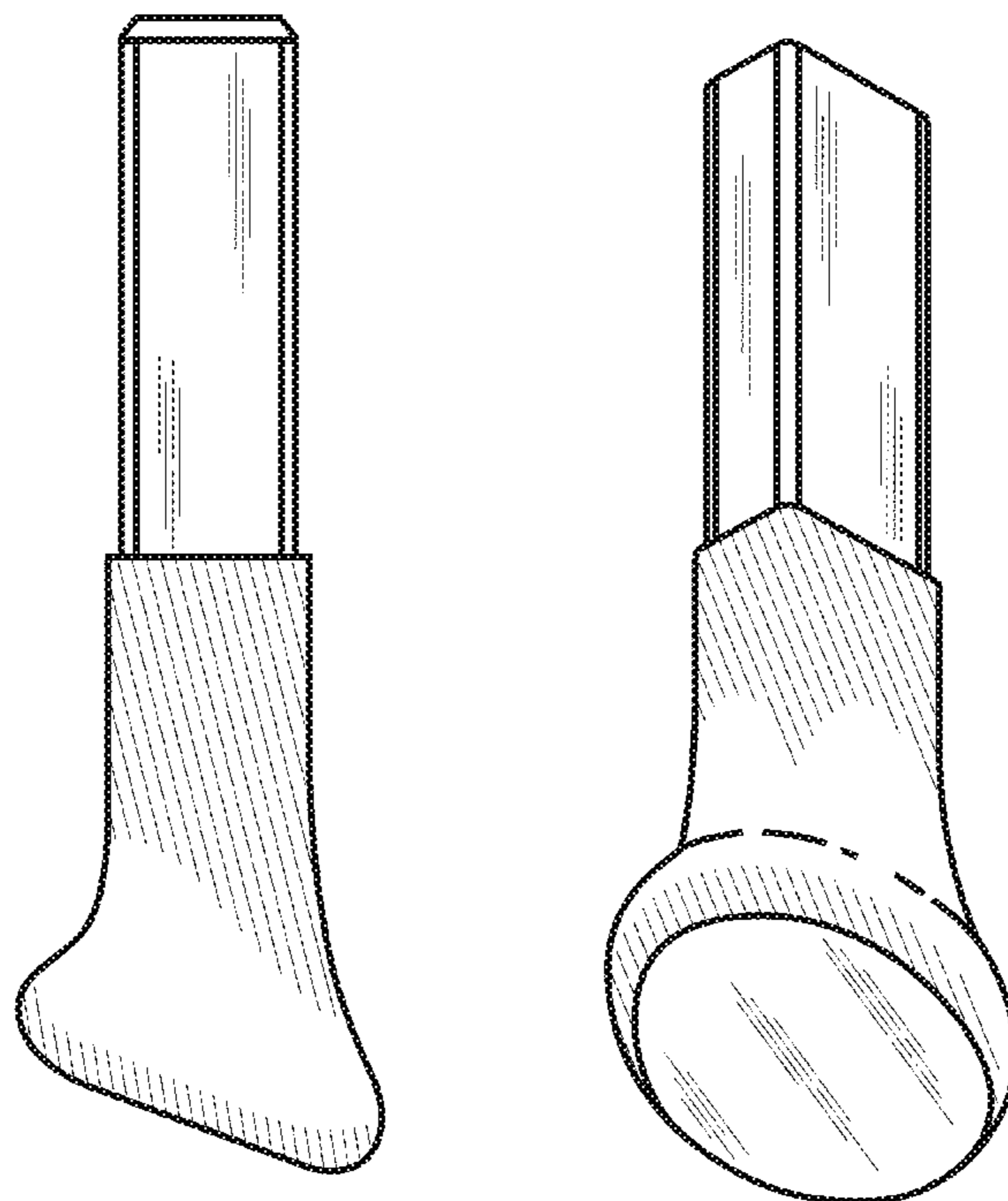


FIG. 1

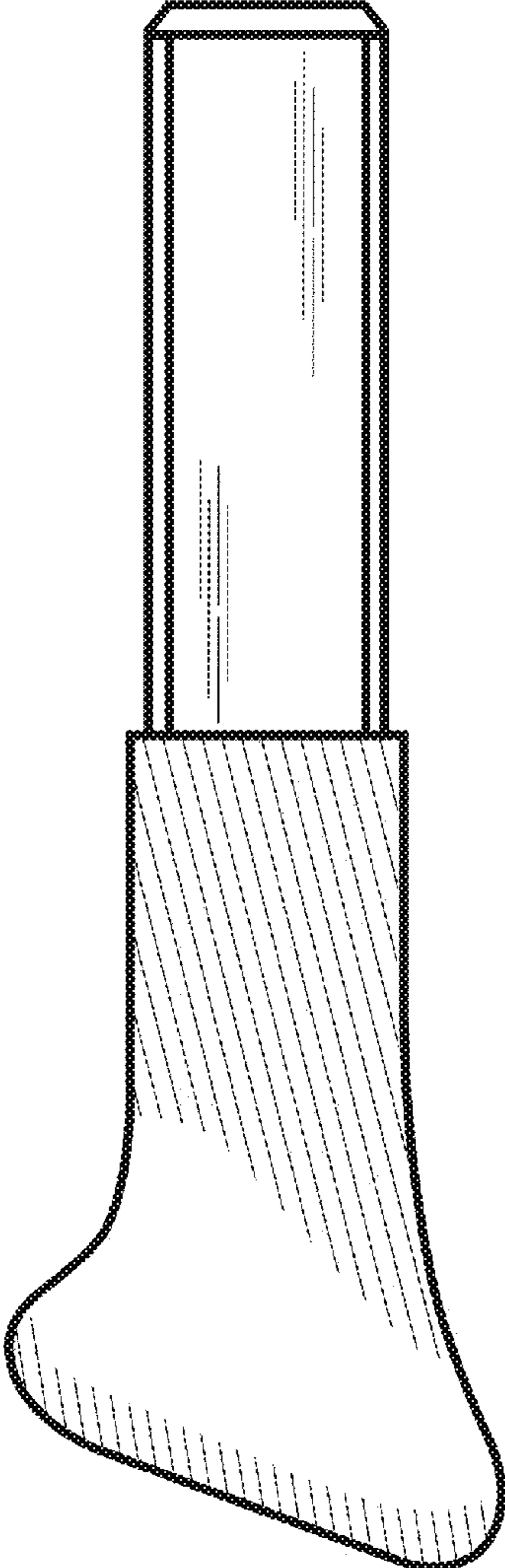


FIG. 2

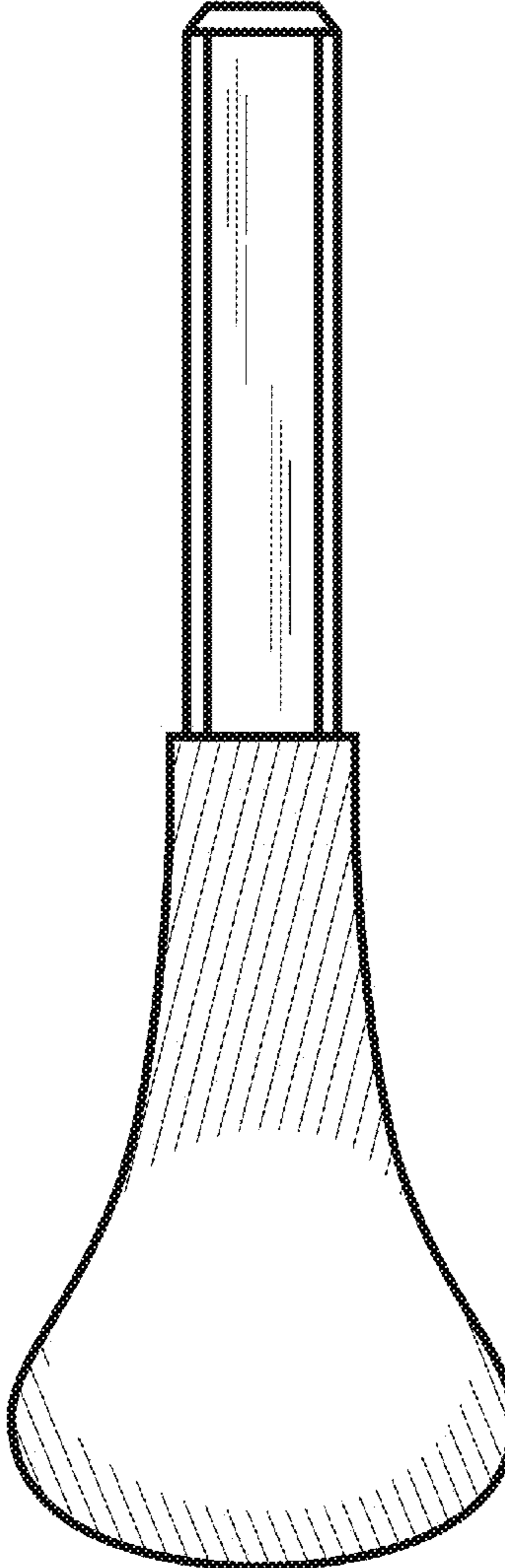


FIG. 3

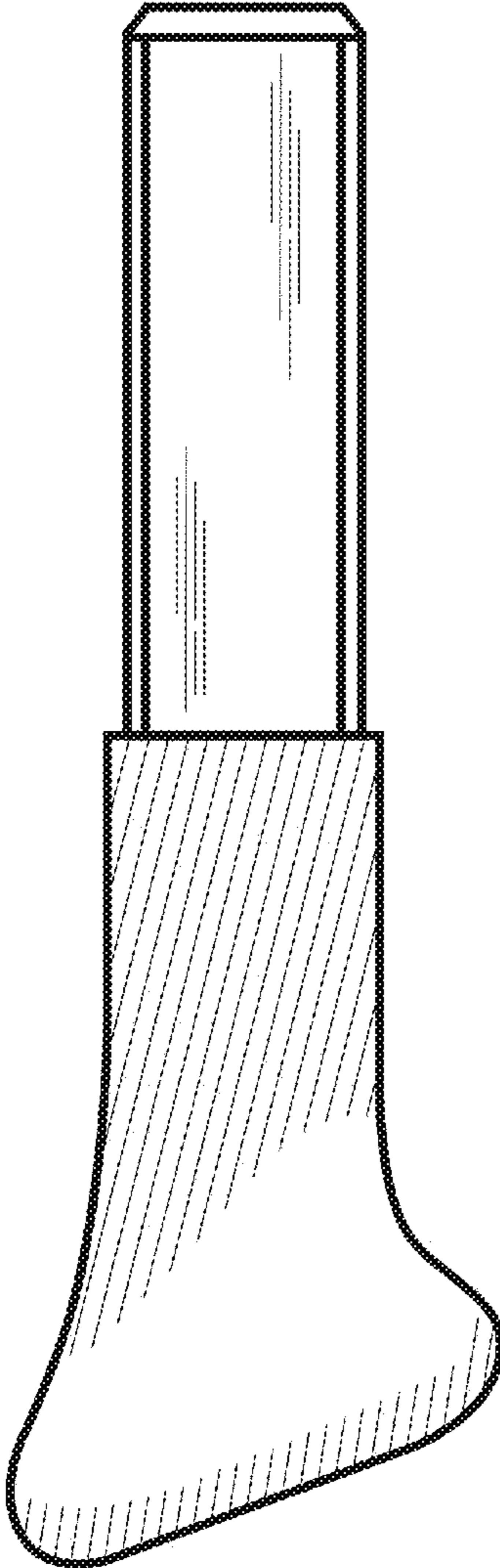


FIG. 4

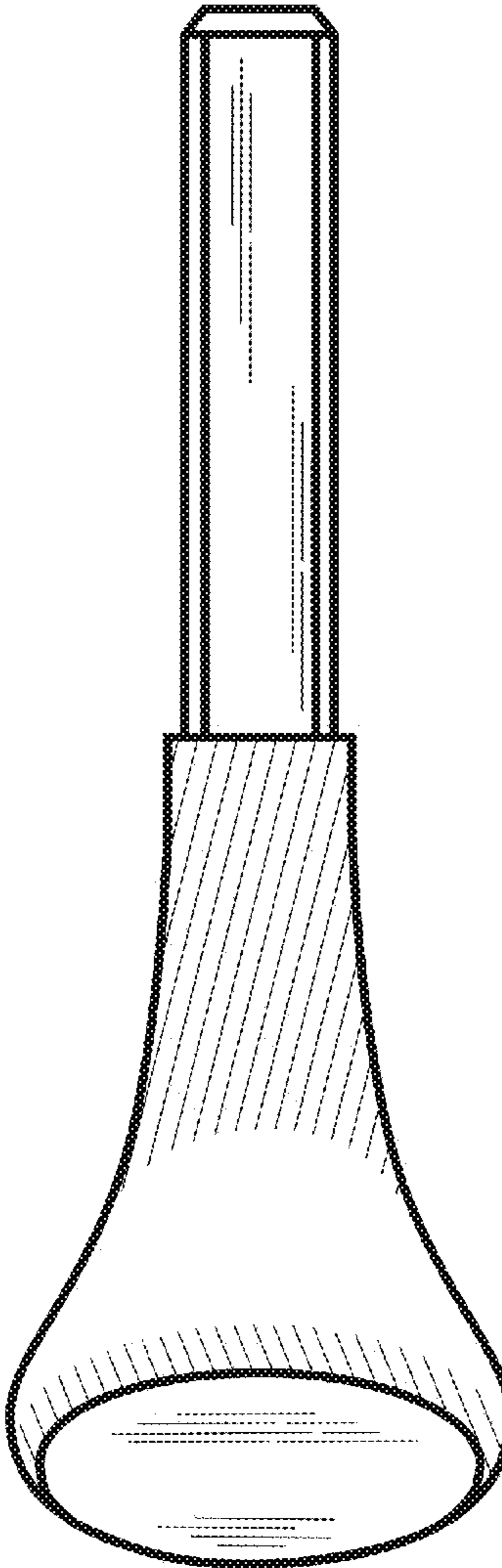


FIG. 5

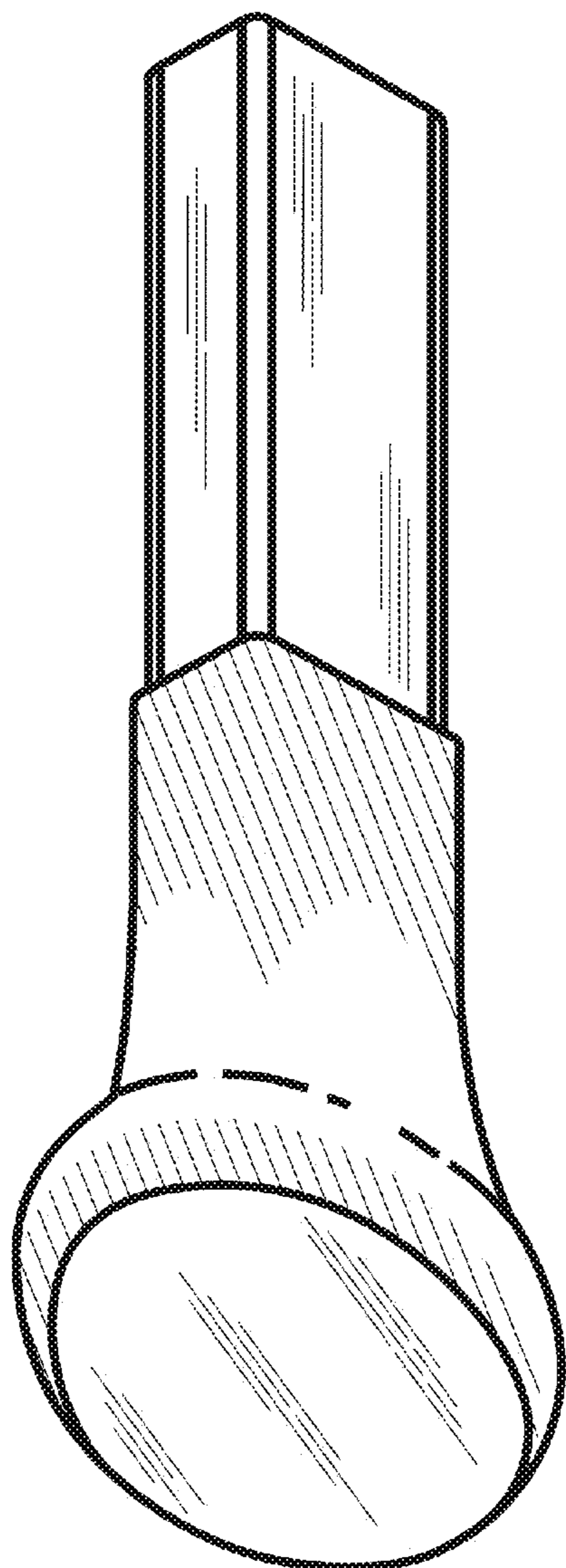


FIG. 6

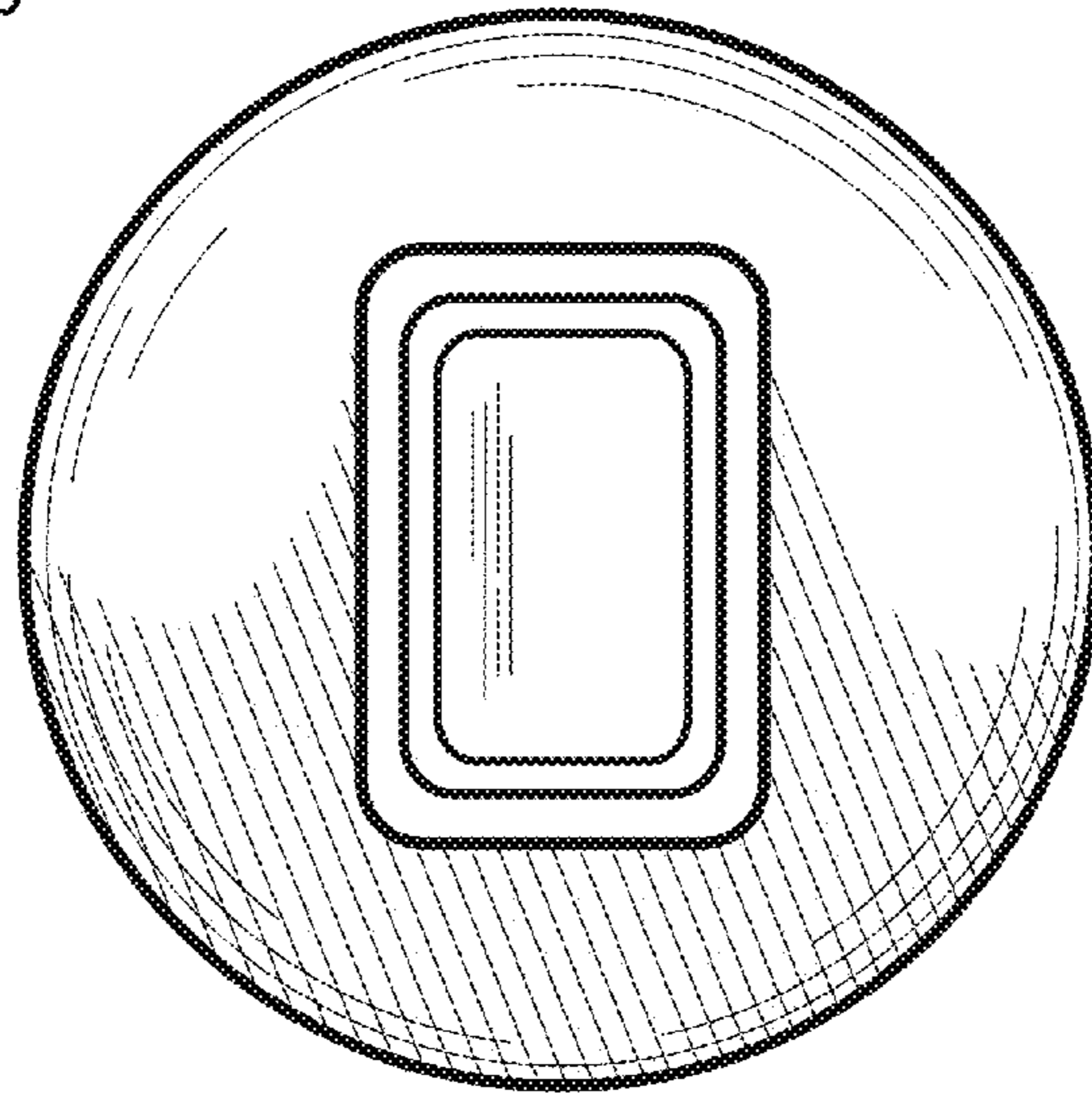


FIG. 7

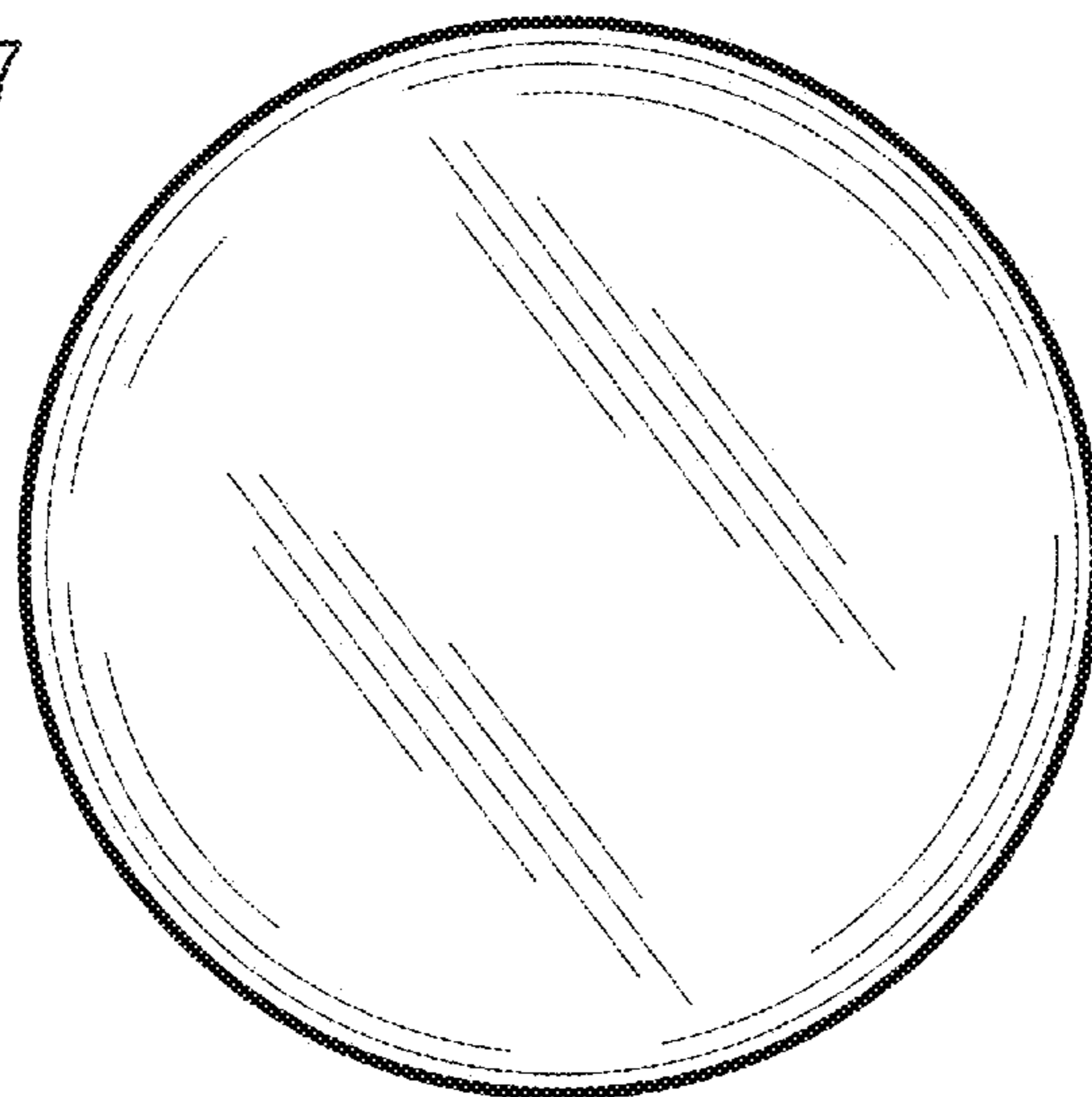


FIG. 8

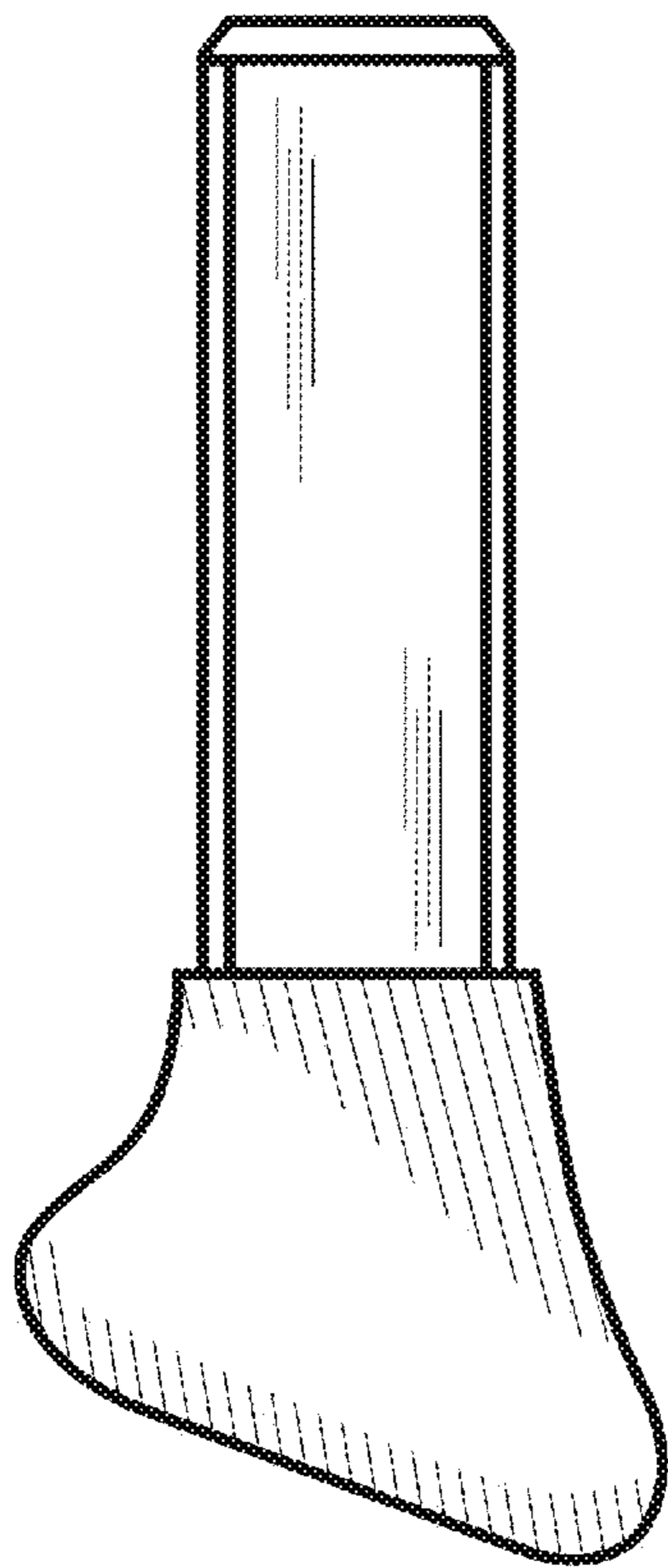


FIG. 9

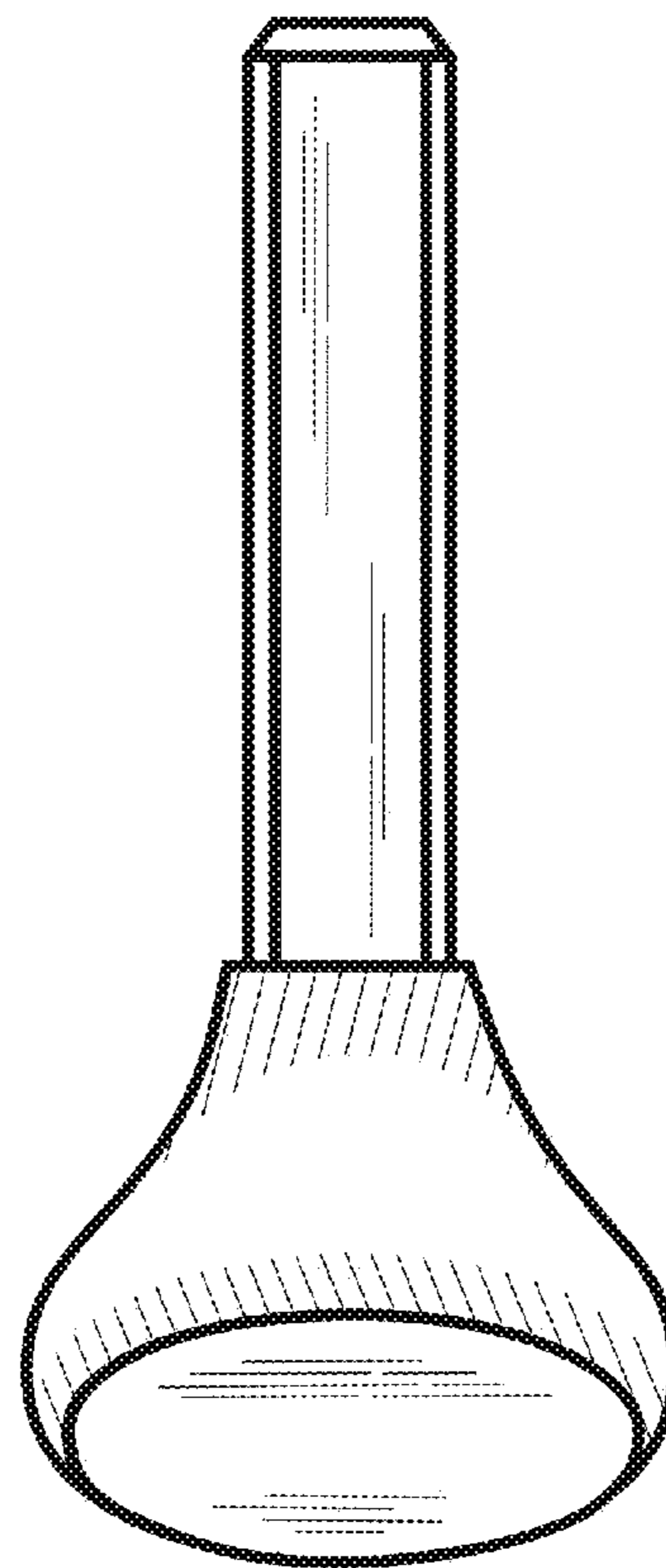


FIG. 10

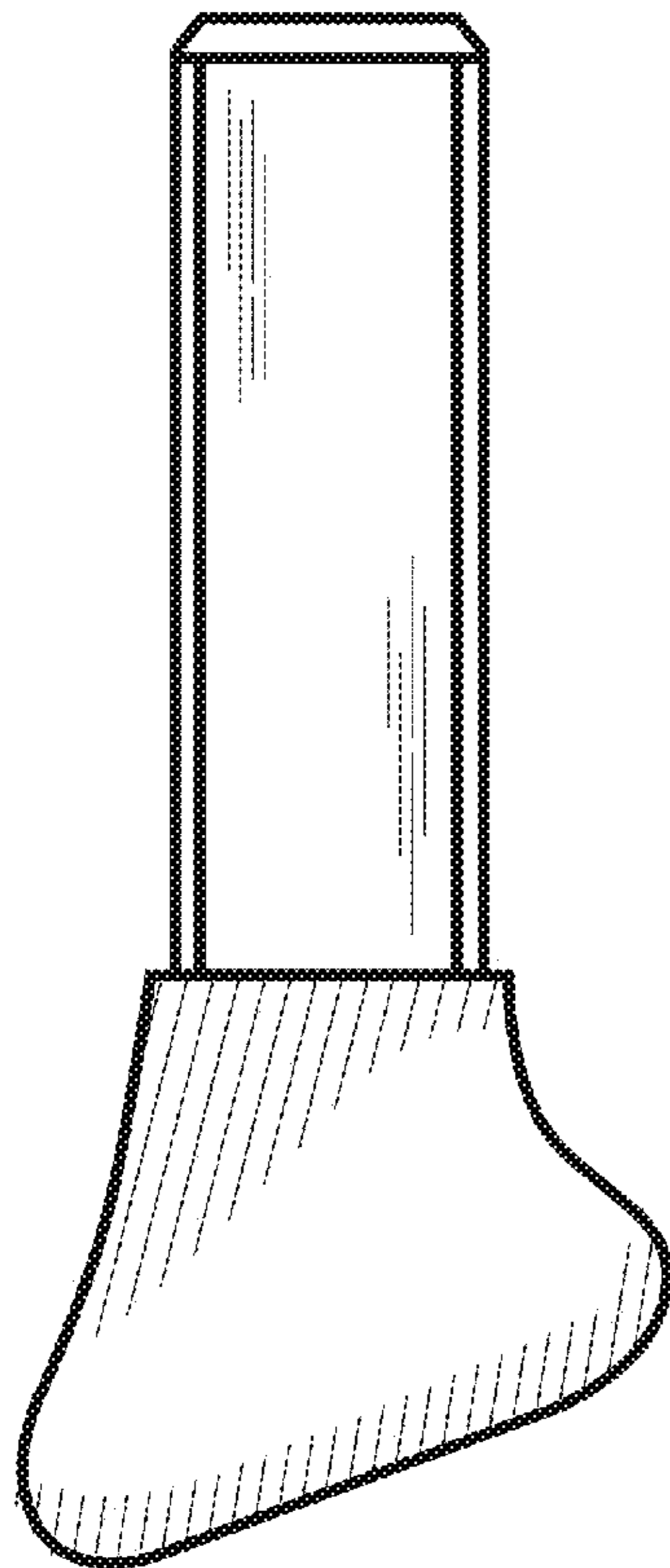


FIG. 11

