



US00D761923S

(12) **United States Design Patent**  
**Ueda et al.**

(10) **Patent No.:** **US D761,923 S**  
(45) **Date of Patent:** **\*\* Jul. 19, 2016**

(54) **SWORD SHAPED TOY**

(71) Applicant: **BANDAI CO., LTD.**, Tokyo (JP)

(72) Inventors: **Masahiro Ueda**, Tokyo (JP); **Naomi Takebe**, Tokyo (JP); **Kazuya Suzuki**, Tokyo (JP)

(73) Assignee: **BANDAI CO., LTD.**, Tokyo (JP)

(\*\*) Term: **15 Years**

(21) Appl. No.: **29/526,908**

(22) Filed: **May 13, 2015**

(30) **Foreign Application Priority Data**

Nov. 14, 2014 (JP) ..... 2014-025360

(51) **LOC (10) Cl.** ..... **21-01**

(52) **U.S. Cl.**  
USPC ..... **D21/568; D21/402**

(58) **Field of Classification Search**  
USPC ..... D21/567, 568; D22/118  
CPC ..... A63H 33/009  
See application file for complete search history.

(56) **References Cited**

**U.S. PATENT DOCUMENTS**

D348,086 S *	6/1994	Cimock	.....	D21/568
D457,579 S *	5/2002	Yiu	.....	D21/568
D495,394 S *	8/2004	Rae	.....	D22/118
D655,353 S *	3/2012	Hara	.....	D21/568
D703,276 S *	4/2014	Murayama	.....	D21/568
D706,878 S *	6/2014	Nishizawa	.....	D21/568
D721,770 S *	1/2015	Nishizawa	.....	D21/573

\* cited by examiner

*Primary Examiner* — Cynthia M Chin

(74) *Attorney, Agent, or Firm* — Rabin & Berdo, P.C.

(57) **CLAIM**

The ornamental design for a sword-shaped toy, as shown and described.

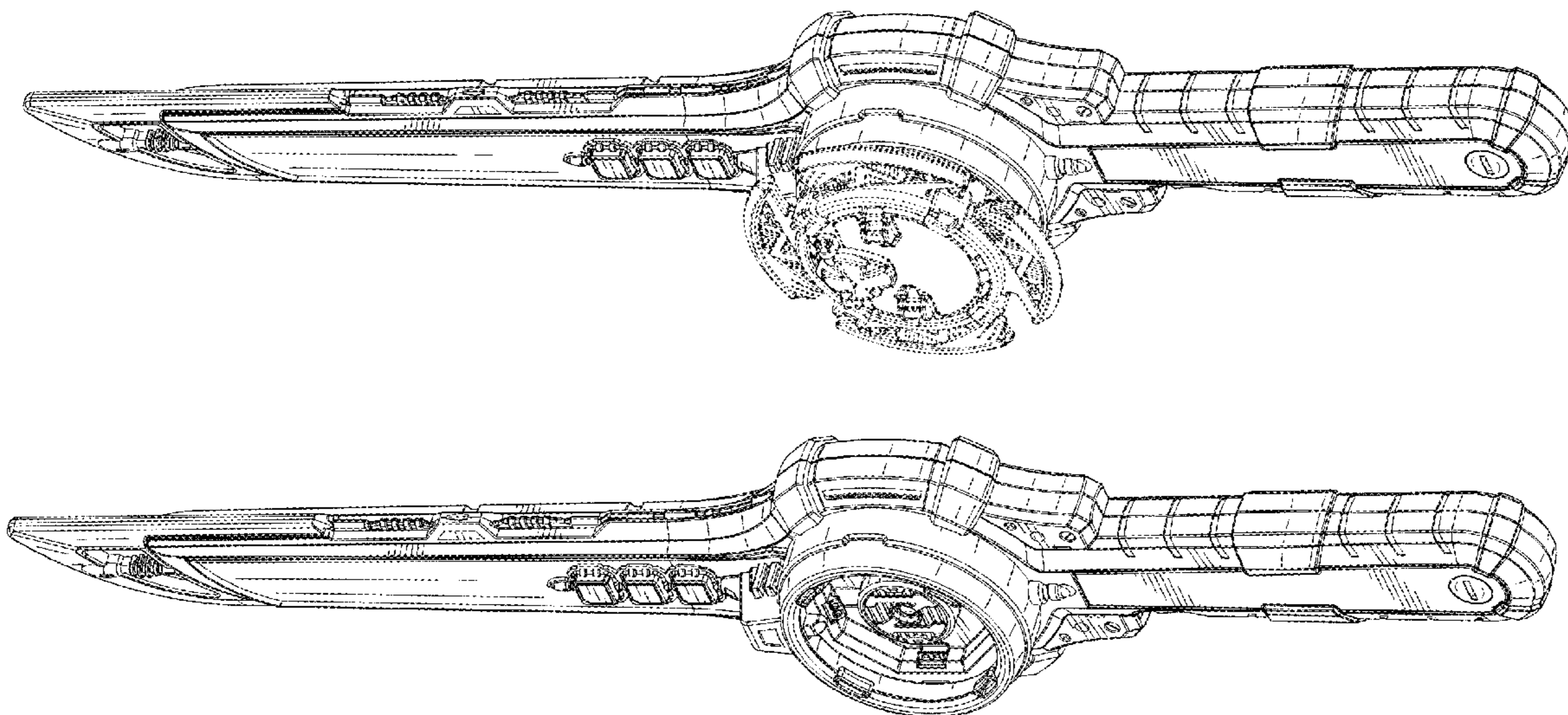
**DESCRIPTION**

FIG. 1 is a perspective view of a first aspect of a sword-shaped toy;  
 FIG. 2 is another perspective view thereof;  
 FIG. 3 is a front view thereof;  
 FIG. 4 is a rear view thereof;  
 FIG. 5 is a top view thereof;  
 FIG. 6 is a bottom view thereof;  
 FIG. 7 is a right side view thereof;  
 FIG. 8 is a left side view thereof;  
 FIG. 9 is a perspective view of the second aspect of the sword-shaped toy in an alternate configuration;  
 FIG. 10 is a front view of the second aspect of the sword-shaped toy thereof;  
 FIG. 11 is a rear view of the second aspect of the sword-shaped toy thereof;  
 FIG. 12 is a top view of the second aspect of the sword-shaped toy thereof;  
 FIG. 13 is a bottom view of the second aspect of the sword-shaped toy thereof;  
 FIG. 14 is a right side view of the second aspect of the sword-shaped toy thereof; and  
 FIG. 15 is a left side view of the second aspect of the sword-shaped toy thereof.

The sword-shaped toy can be changed from the first aspect into the second aspect as shown by detaching the part in broken lines shown in FIGS. 1-8.

The features shown in broken lines form no part of the claimed invention.

**1 Claim, 9 Drawing Sheets**



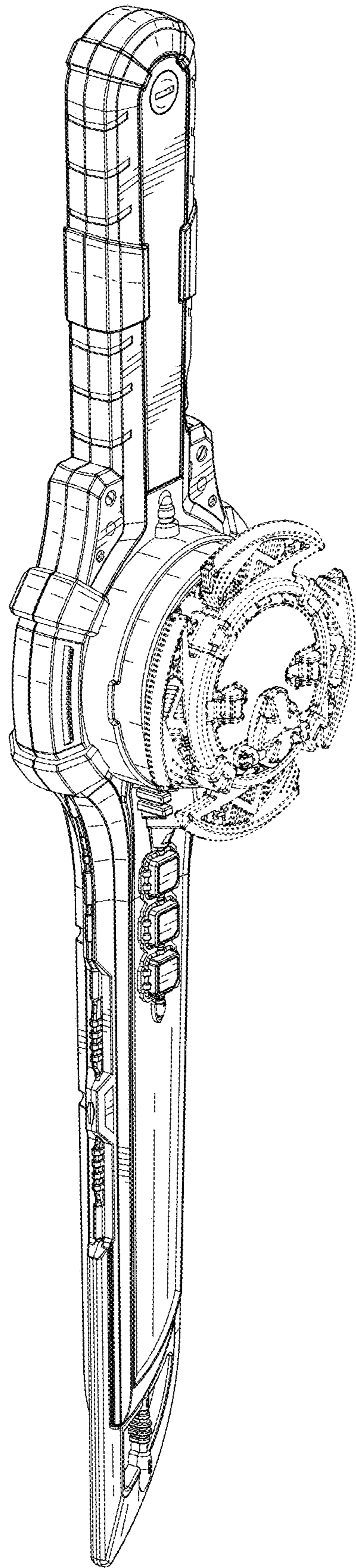


FIG. 1



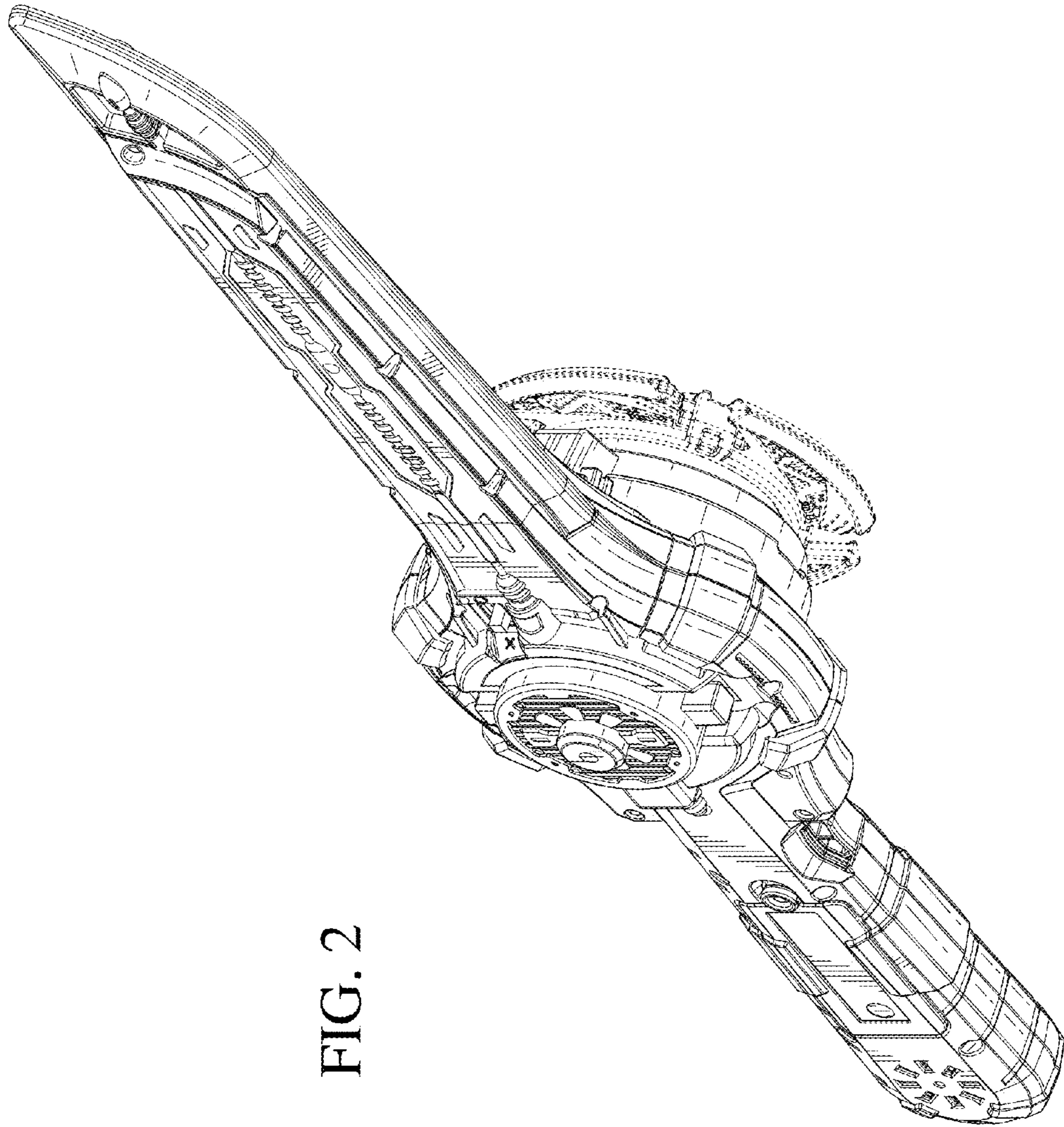


FIG. 2

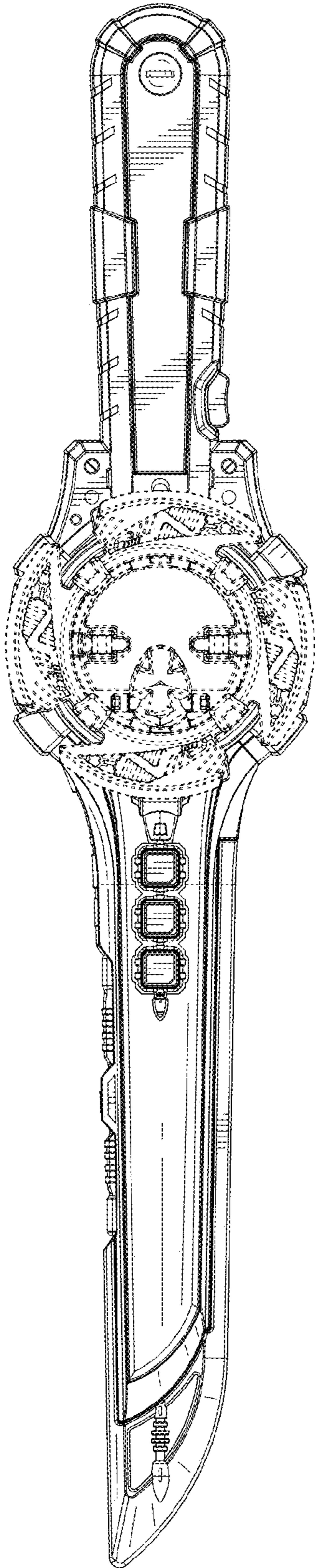


FIG. 3

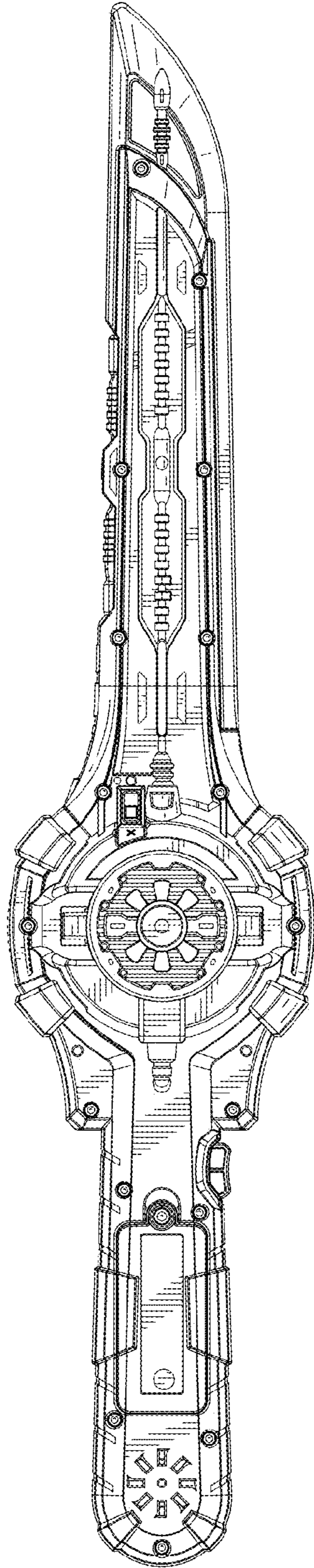


FIG. 4



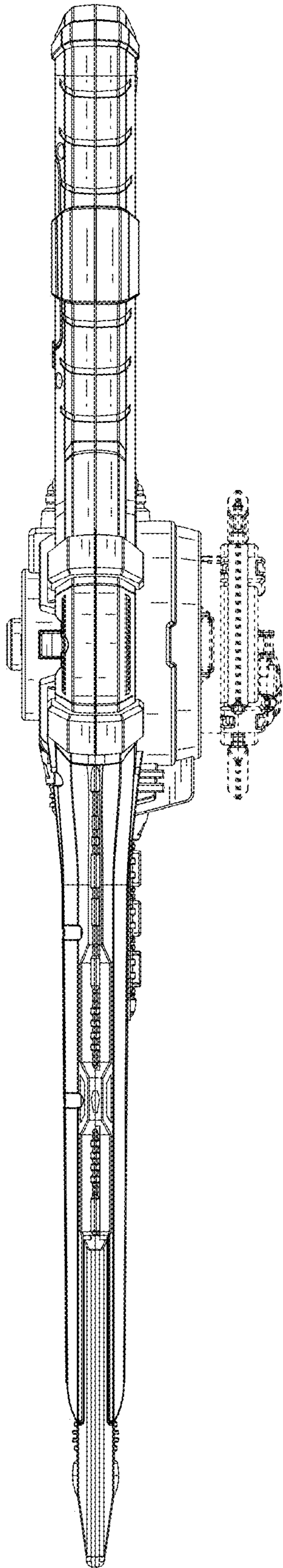


FIG. 5

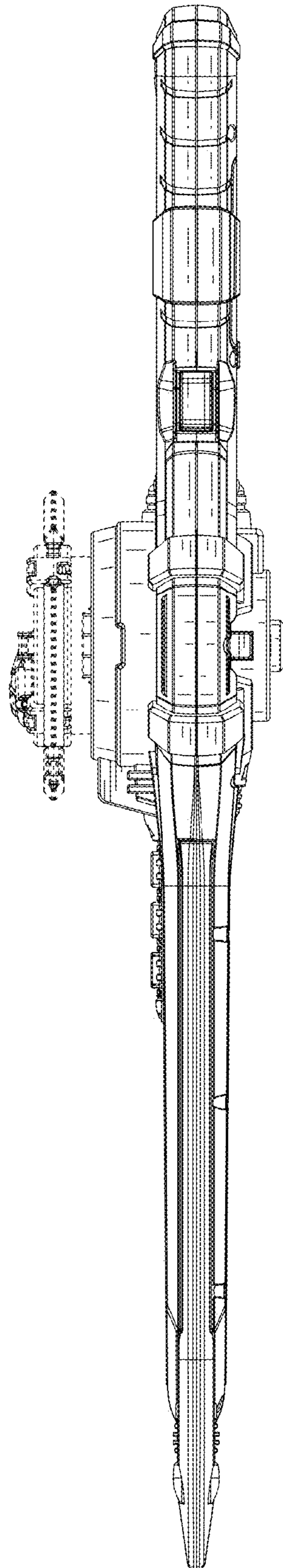


FIG. 6

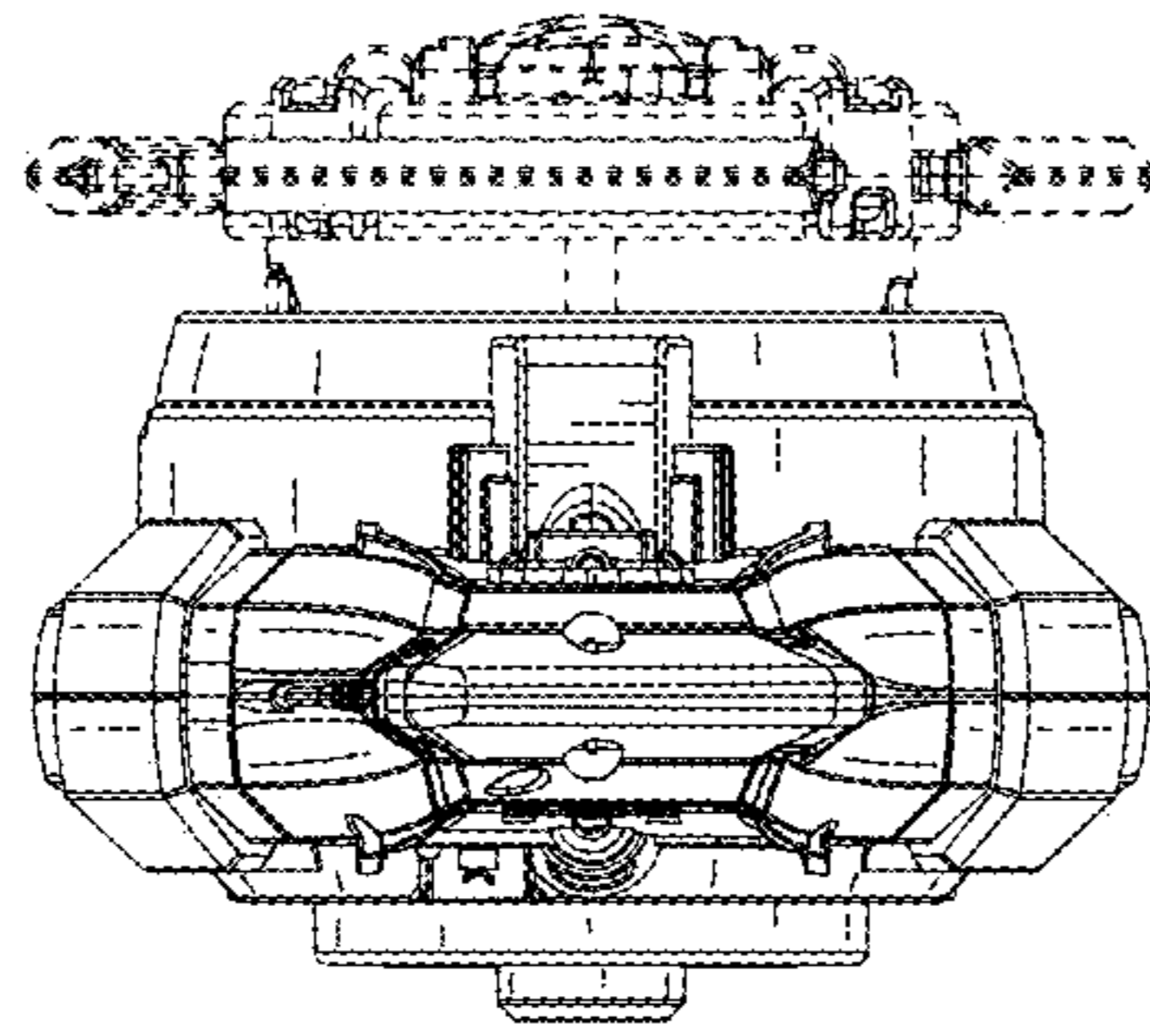


FIG. 8

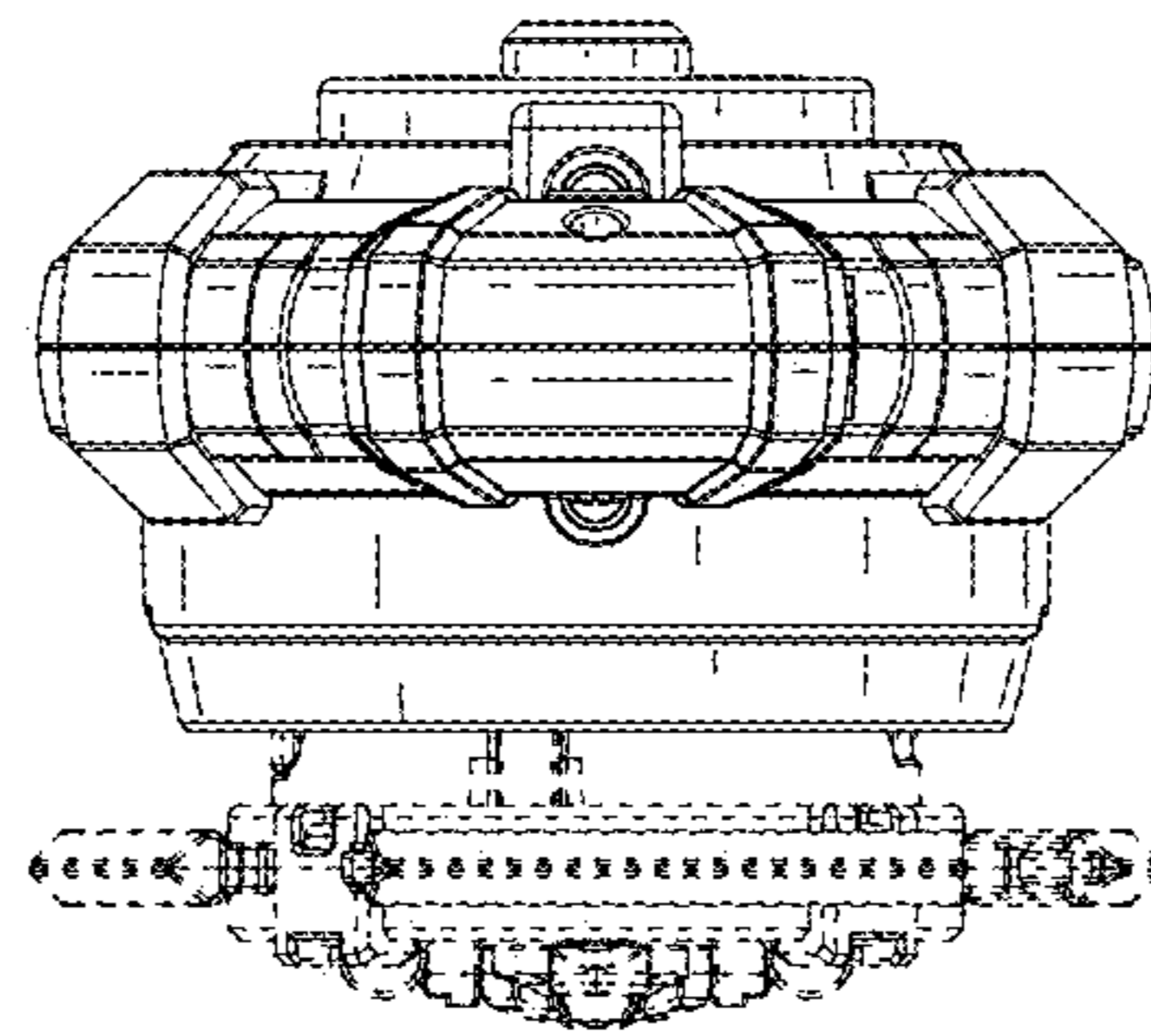


FIG. 7

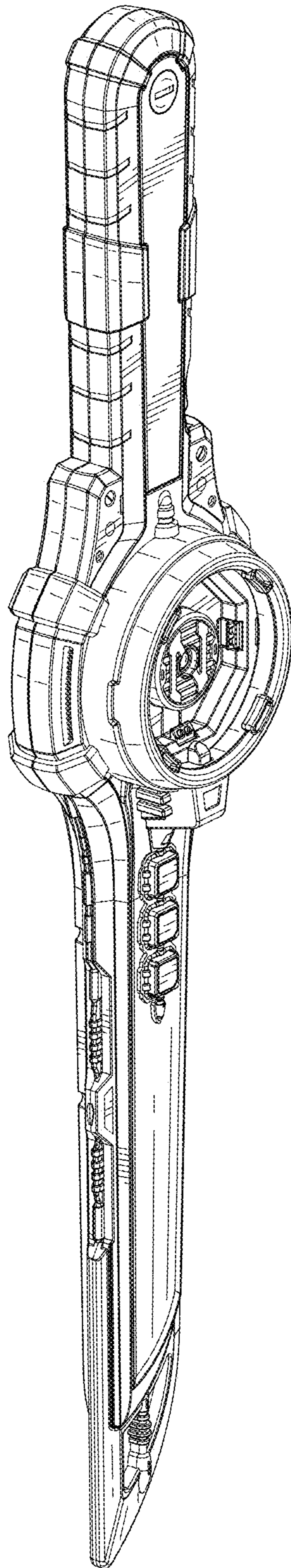


FIG. 9



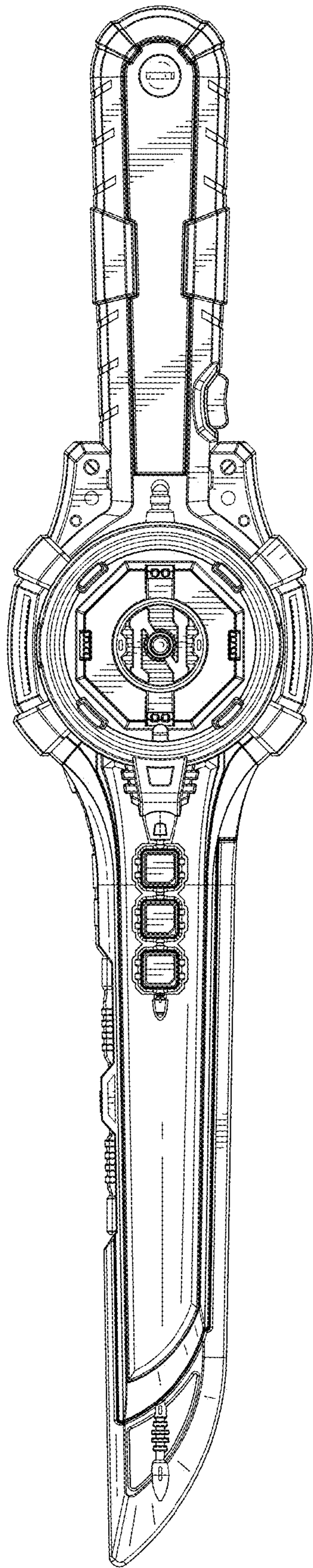


FIG. 10

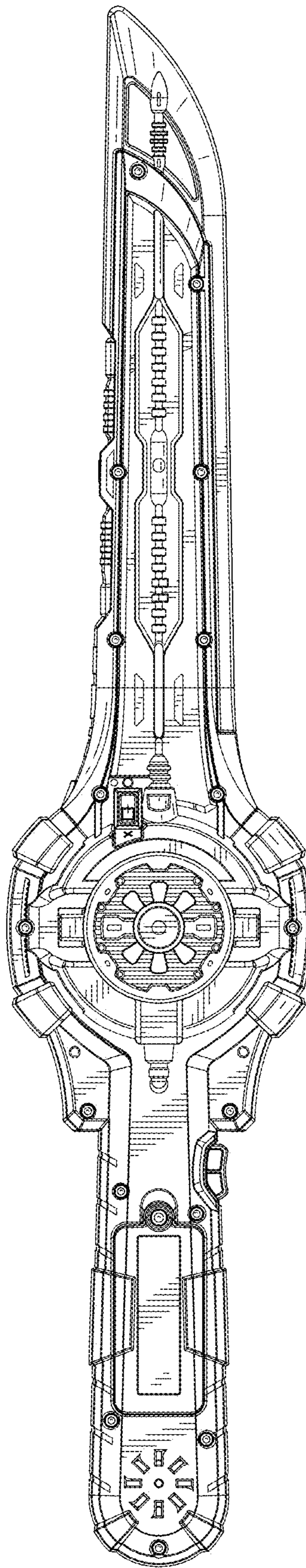


FIG. 11



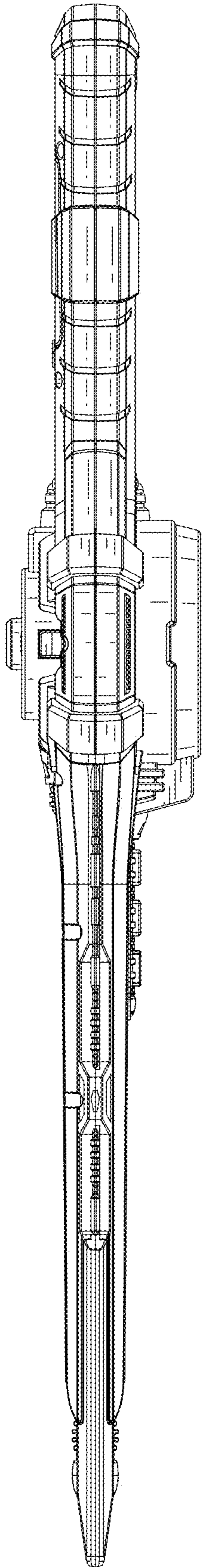


FIG. 12

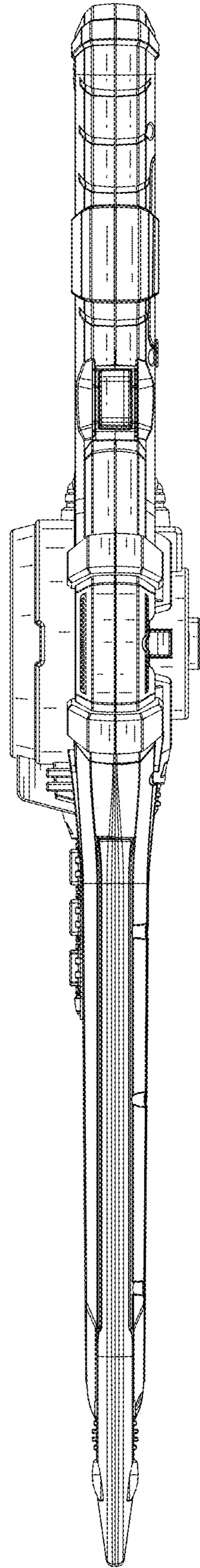


FIG. 13

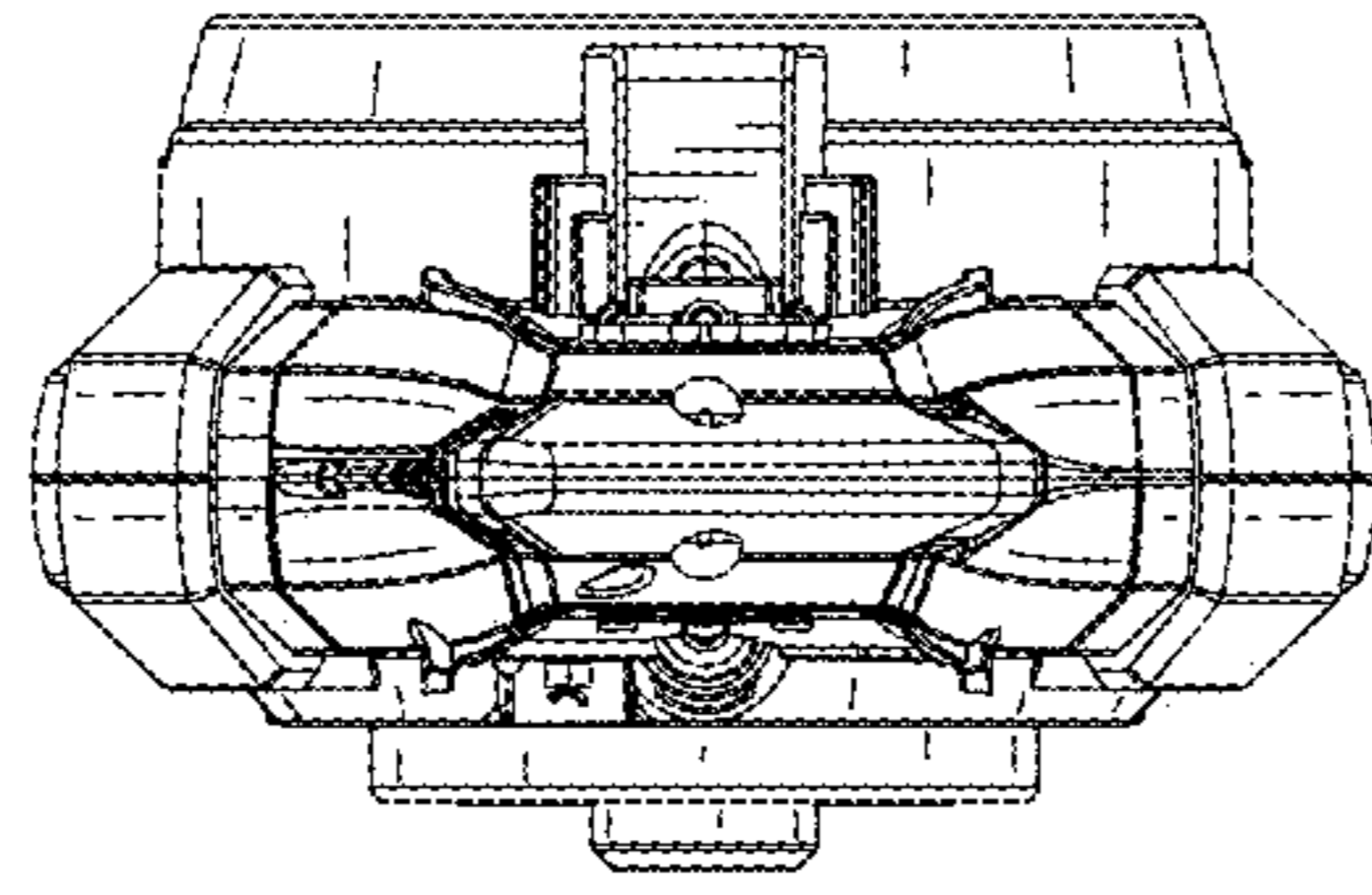


FIG. 15

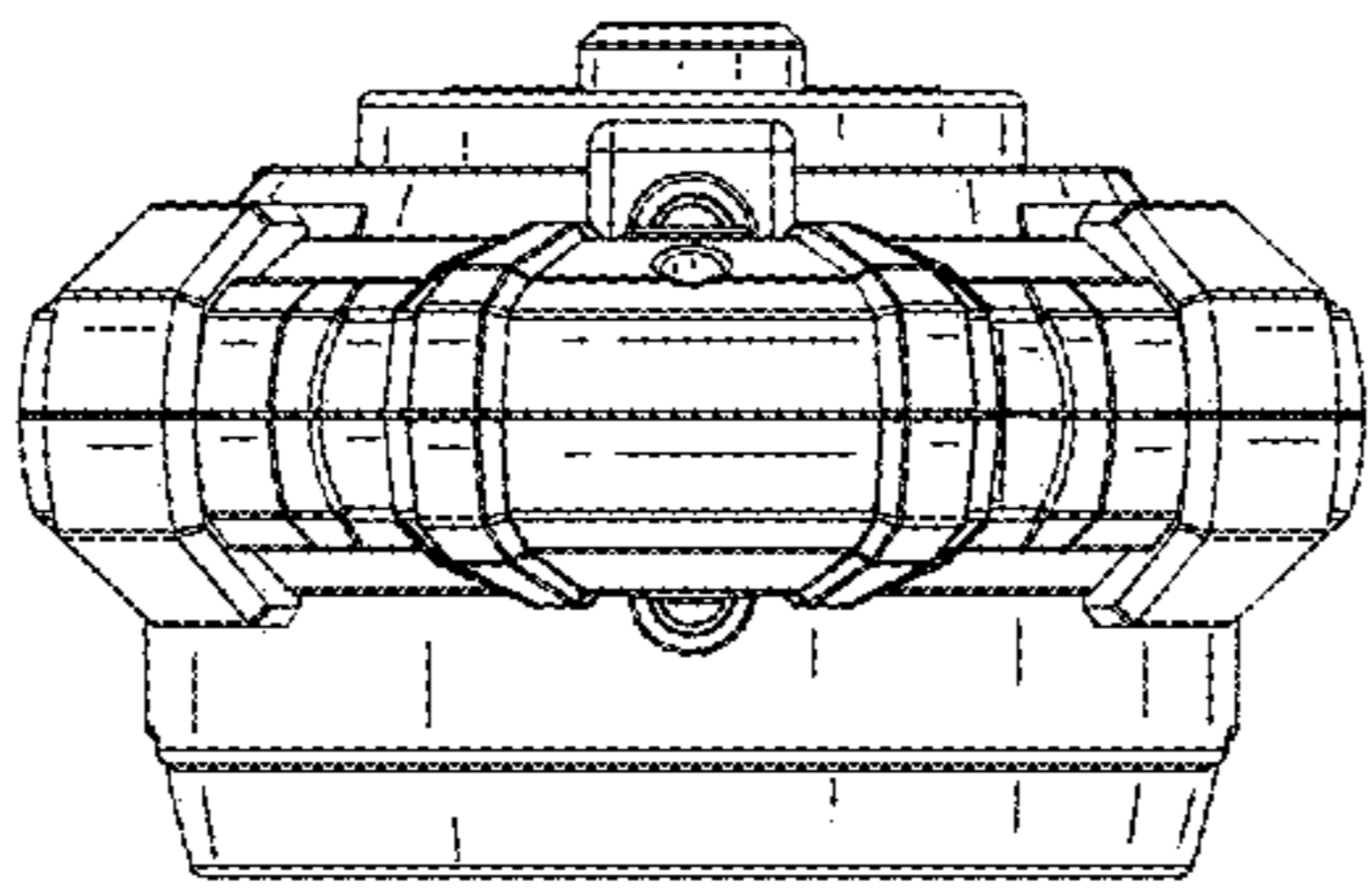


FIG. 14