



US00D761922S

(12) **United States Design Patent**  
**Kino**

(10) **Patent No.:** **US D761,922 S**  
(45) **Date of Patent:** **\*\* Jul. 19, 2016**

(54) **TOY BUCKET**

(71) Applicant: **Royal Co., Ltd.**, Tokyo (JP)

(72) Inventor: **Takashi Kino**, Yokohama (JP)

(73) Assignee: **Royal Co., Ltd.** (JP)

(\*\*) Term: **14 Years**

(21) Appl. No.: **29/493,976**

(22) Filed: **Jun. 16, 2014**

(30) **Foreign Application Priority Data**

Dec. 18, 2013 (JP) ..... 2013-029699

(51) **LOC (10) Cl.** ..... **21-01**

(52) **U.S. Cl.**  
USPC ..... **D21/532**

(58) **Field of Classification Search**  
USPC ..... D21/398, 471, 473, 532; D7/603, 604,  
D7/608; D32/53, 53.1, 54; D22/136  
CPC ..... B44D 3/128; A47L 13/58; A47J 47/18;  
A47J 45/08; B65D 25/32; Y10T 16/4707;  
Y10T 16/469; Y10T 16/44  
See application file for complete search history.

(56) **References Cited**

**U.S. PATENT DOCUMENTS**

D417,326 S *	11/1999	Greene	.....	D32/53
D417,935 S *	12/1999	Primeau	.....	D32/53
D618,412 S *	6/2010	Berti	.....	D32/53
D631,630 S *	1/2011	Berti	.....	D32/53
D640,758 S *	6/2011	Kino	.....	D21/398
D643,246 S *	8/2011	Gilbert	.....	D7/393
D655,471 S *	3/2012	Schnatter	.....	D32/53
D673,749 S *	1/2013	Heiser, Jr.	.....	D32/53
D701,014 S *	3/2014	Marsden	.....	D32/53
D712,107 S *	8/2014	Schnatter	.....	D32/53
D723,234 S *	2/2015	Lentine	.....	D32/53

D723,757 S *	3/2015	Lentine	.....	D32/53
D723,758 S *	3/2015	Lentine	.....	D32/53
2015/0282689 A1*	10/2015	Ngan	.....	A47L 13/58 15/260

**FOREIGN PATENT DOCUMENTS**

JP	624887	5/1984
JP	624887-001	4/1985
JP	662107	10/1985
JP	674678	3/1986
JP	792874	7/1990
JP	843047	7/1992
JP	843052	7/1992
JP	843053	7/1992

(Continued)

**OTHER PUBLICATIONS**

Royal Co., Ltd. Catalog-A, 2000.

(Continued)

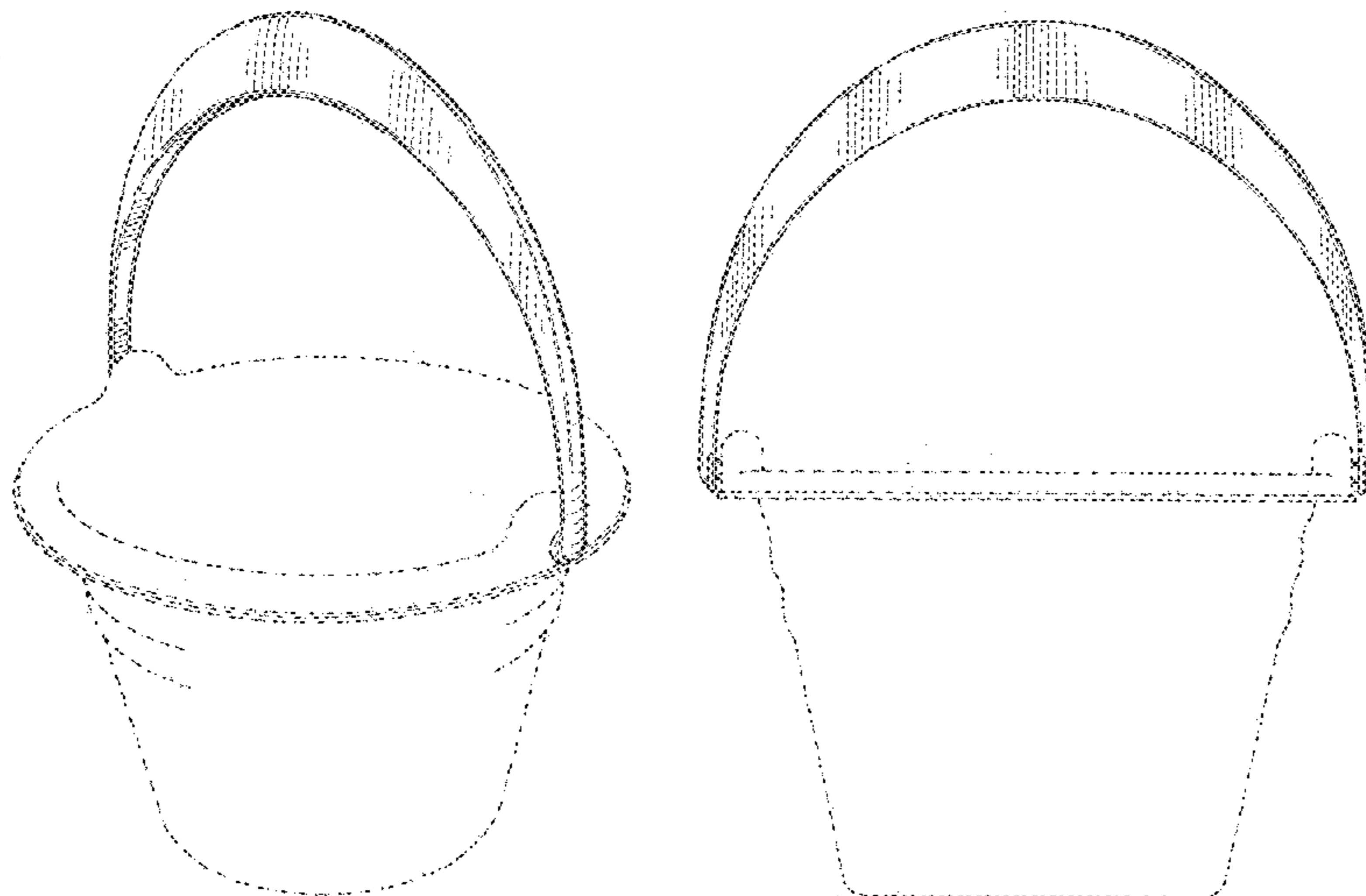
*Primary Examiner* — George D Kirschbaum  
*Assistant Examiner* — Jennifer Watkins  
(74) *Attorney, Agent, or Firm* — Saidman DesignLaw Group, LLC

(57) **CLAIM**  
The ornamental design for a toy bucket, as shown and described.

**DESCRIPTION**

FIG. 1 is a top, front and right side perspective view of a toy bucket showing my new design;  
FIG. 2 is a front elevational view thereof;  
FIG. 3 is a rear elevational view thereof;  
FIG. 4 is a left side view thereof;  
FIG. 5 is a right side view thereof;  
FIG. 6 is a top plan side view thereof; and,  
FIG. 7 is a bottom plan view thereof.  
The broken lines illustrate portions of a toy bucket that form no part of the claim.

**1 Claim, 7 Drawing Sheets**



(56)

**References Cited**

FOREIGN PATENT DOCUMENTS

JP	843054	7/1992
JP	843055	7/1992
JP	858458	1/1993
JP	904651	8/1994
JP	1066766	4/2000
JP	1133160	2/2002
JP	1133161	2/2002
JP	1147684	7/2002
JP	1151351	8/2002

JP	1164712	2/2003
JP	1170287	4/2003
JP	1254748	10/2005
JP	1254989	10/2005
JP	1380286	2/2010
JP	1380287	2/2010
JP	1396461	9/2010

OTHER PUBLICATIONS

Royal Co., Ltd. Catalog-C, 2004.  
Royal Co., Ltd. Catalog-G, 2004.

\* cited by examiner

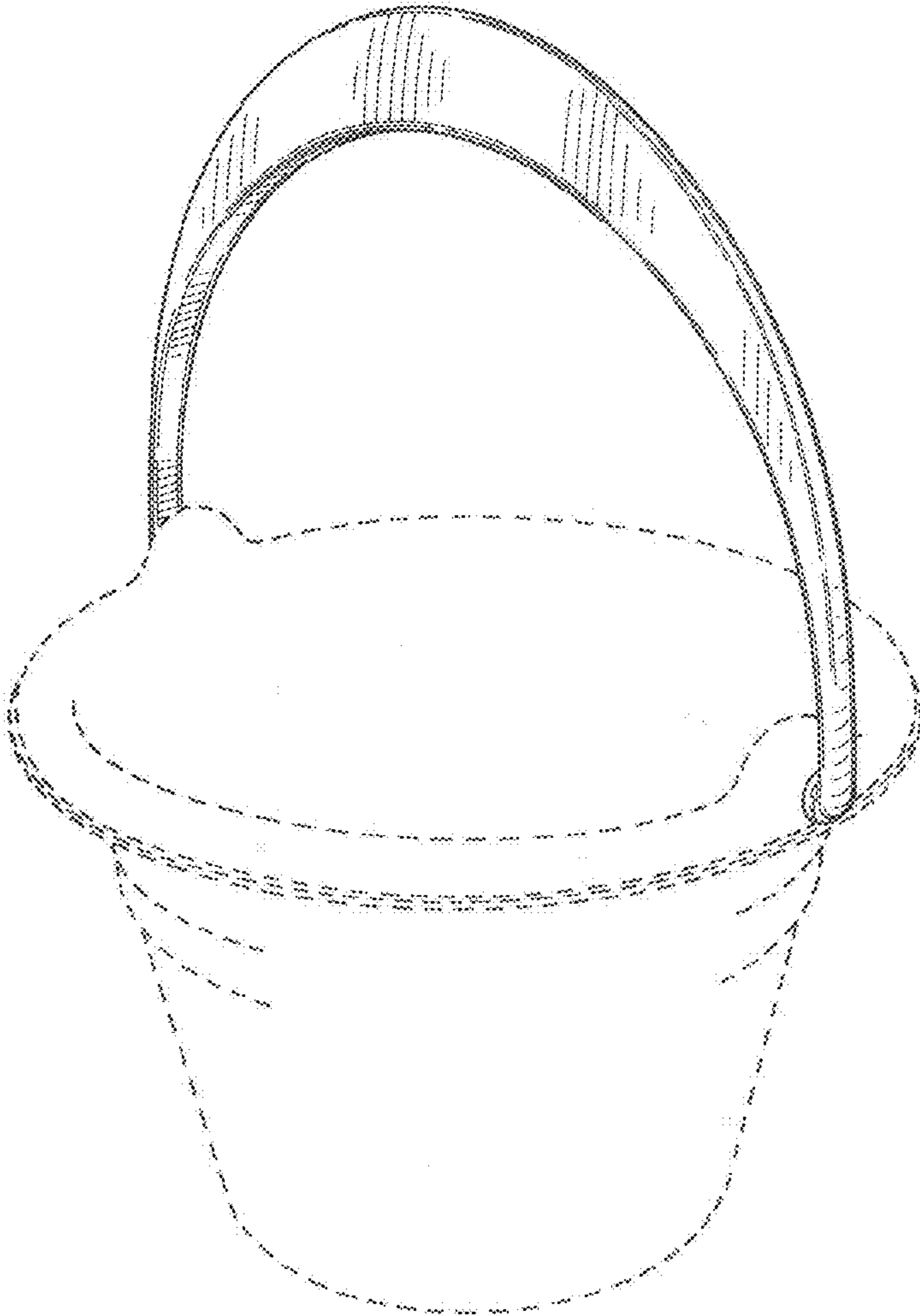


FIG. 1

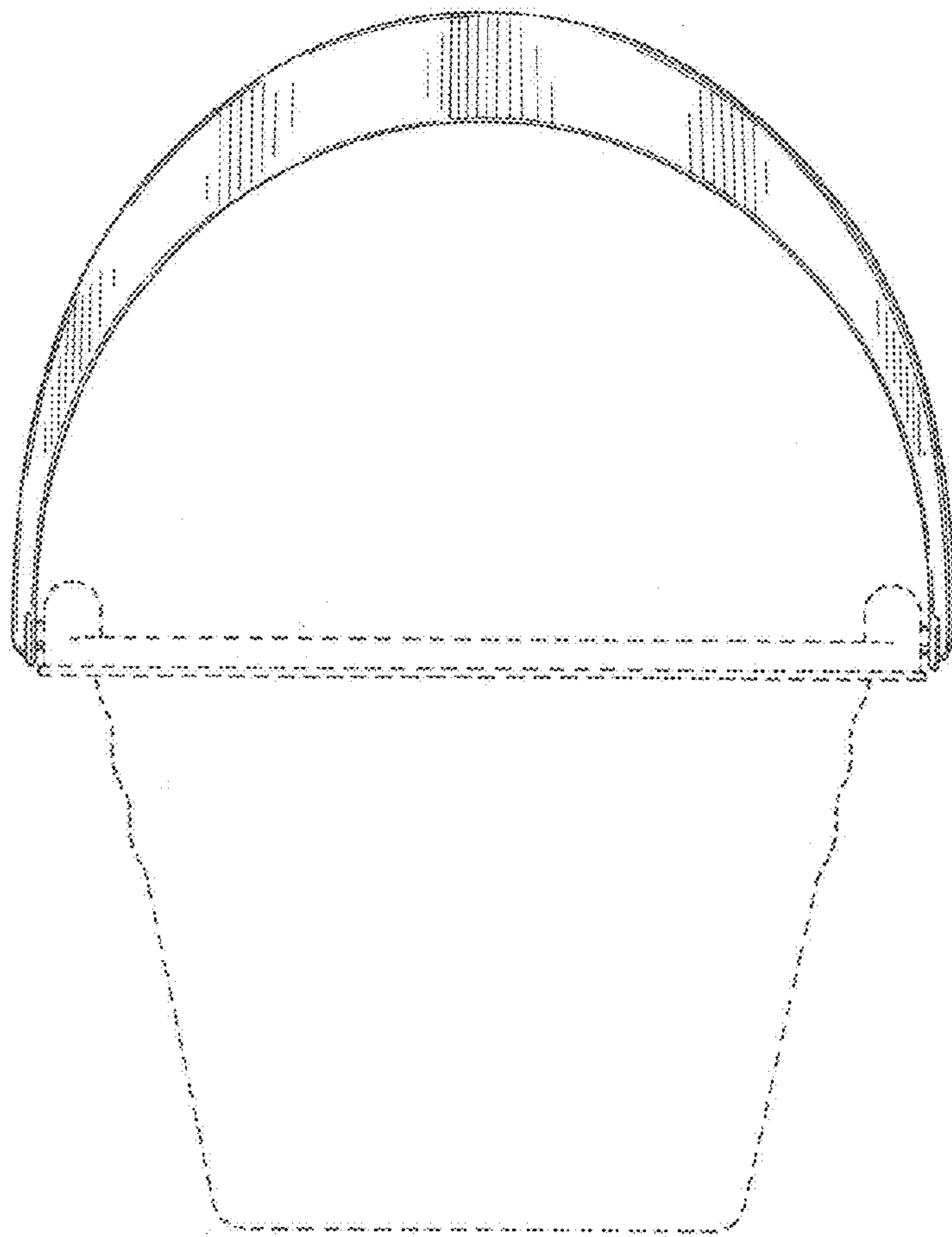


FIG.2

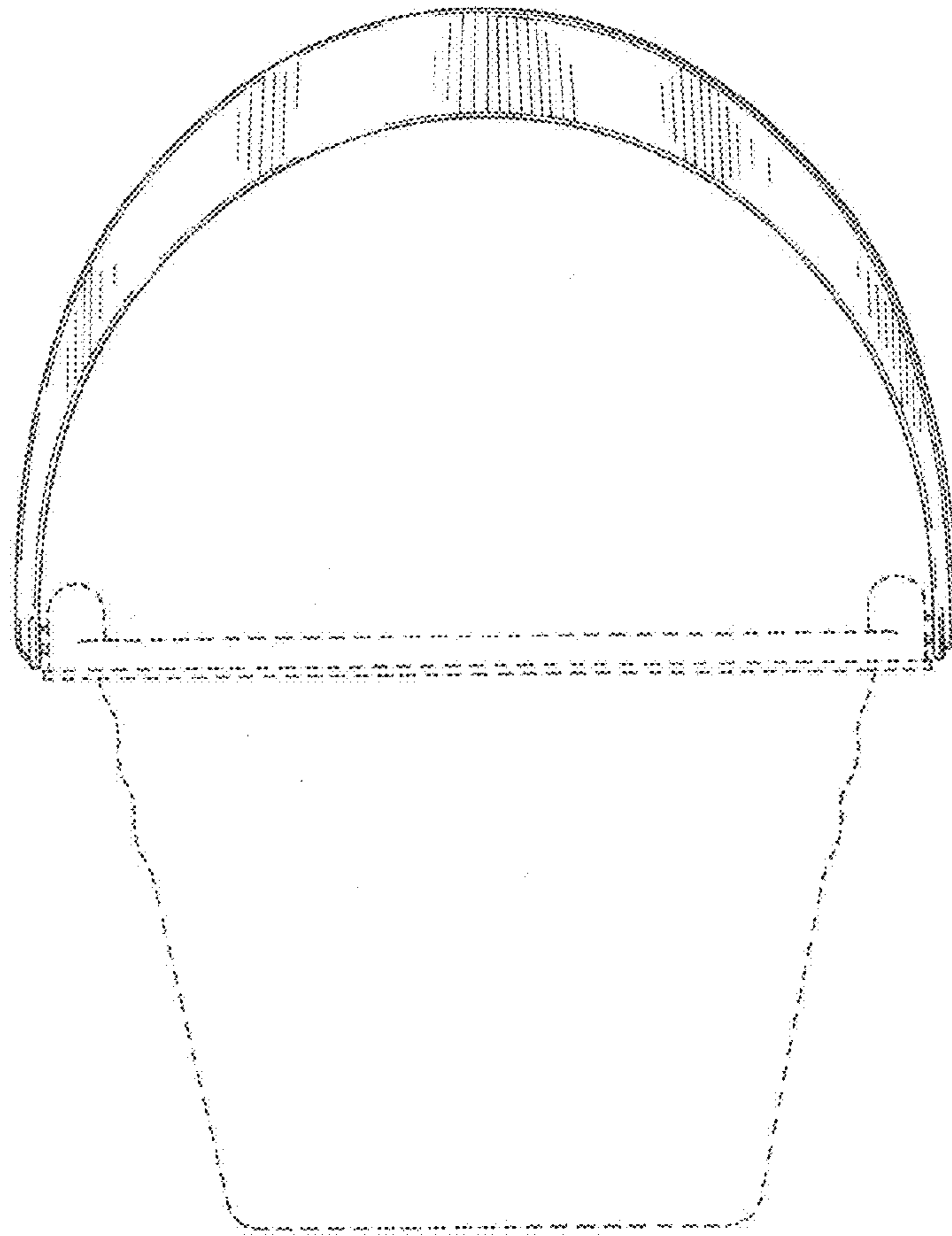


FIG. 3

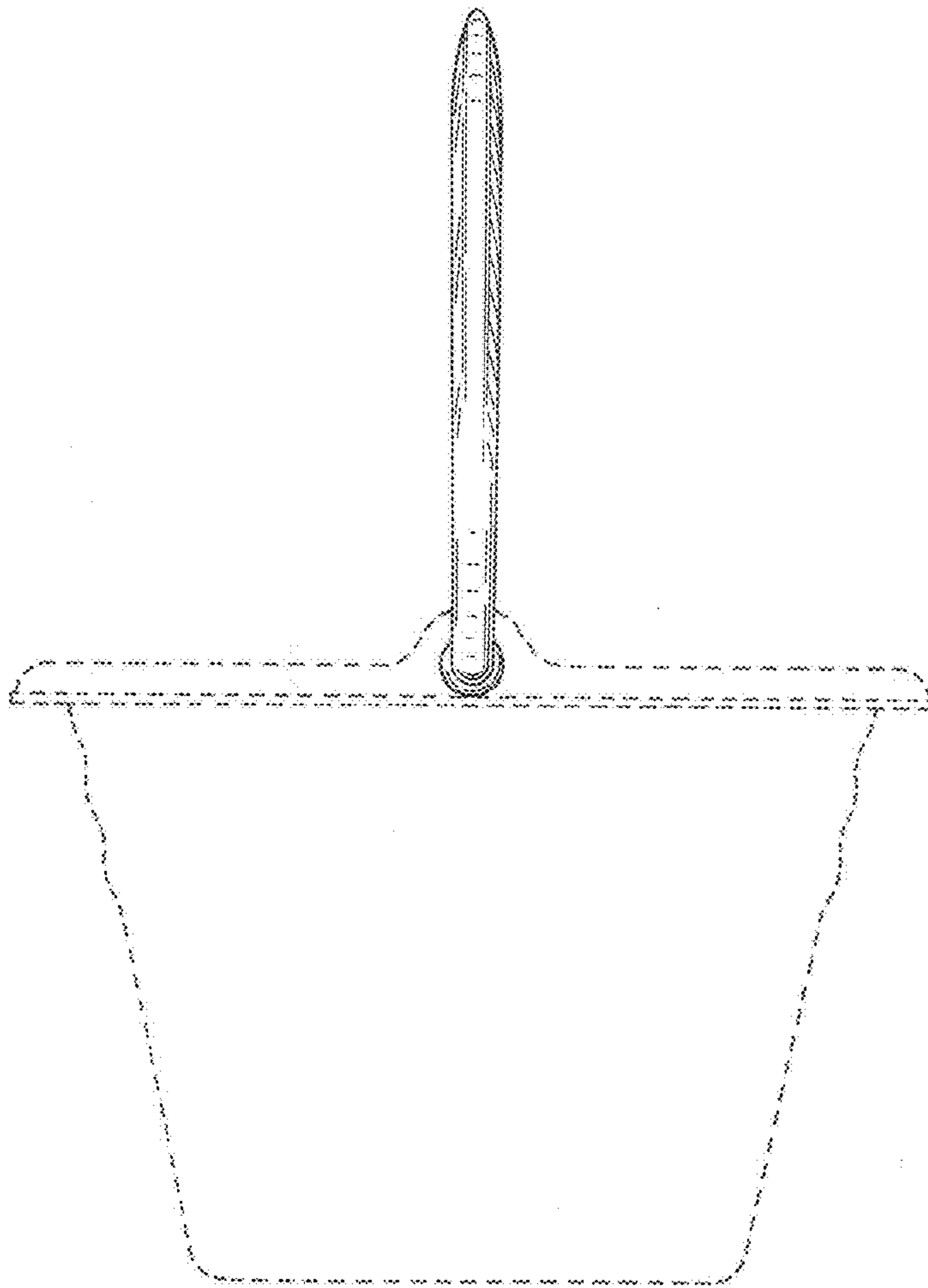


FIG.4

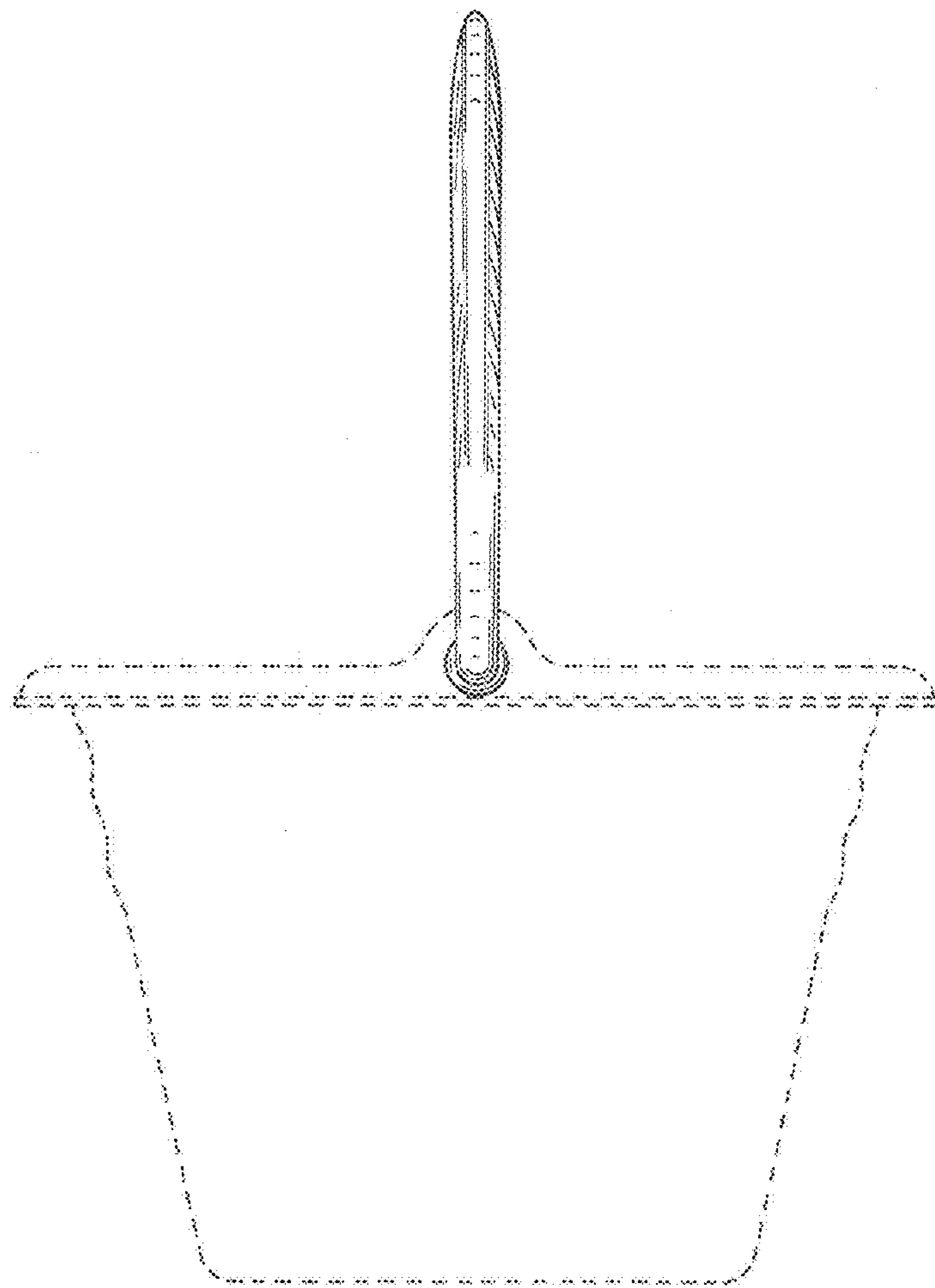


FIG.5

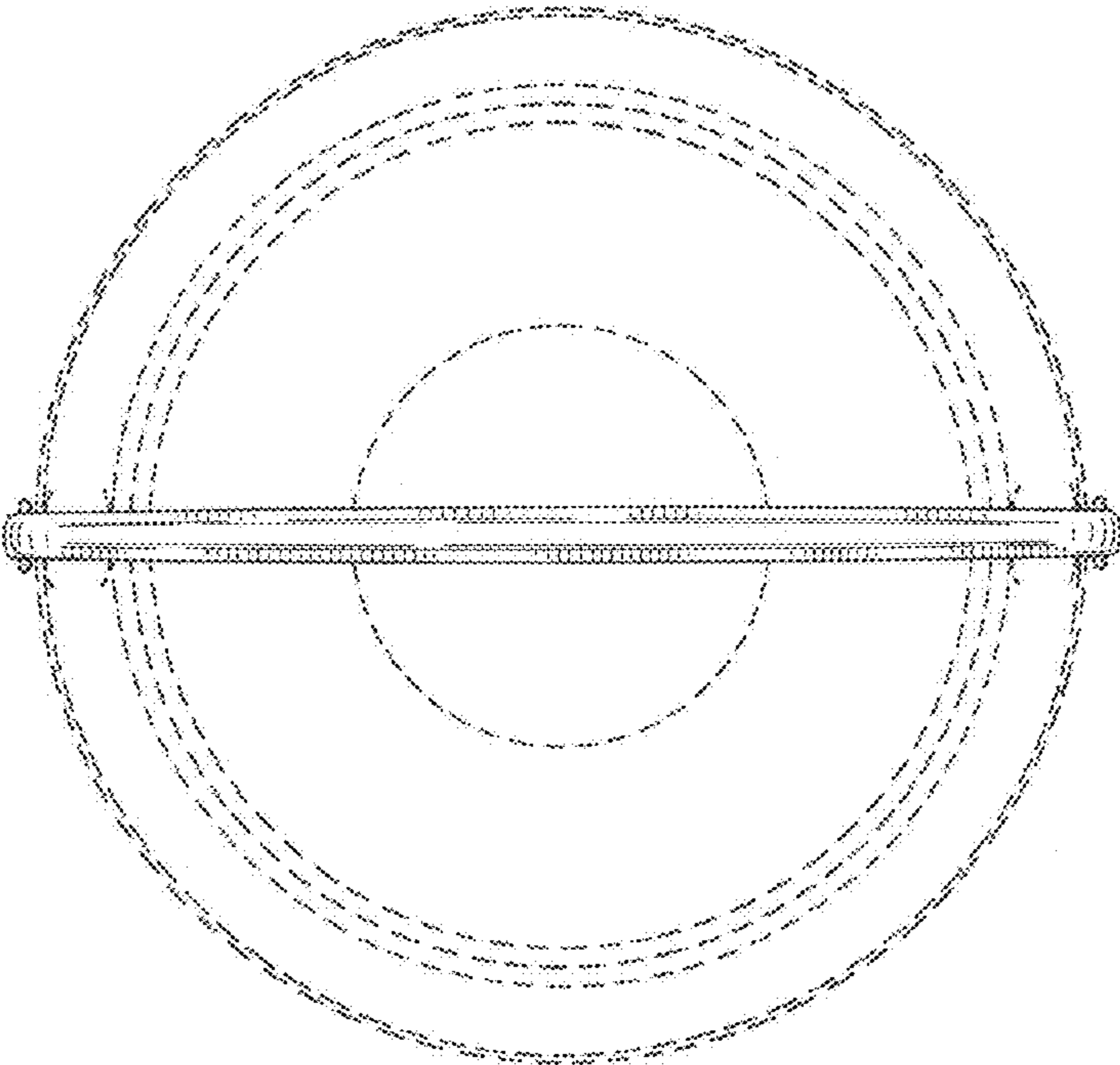


FIG.6



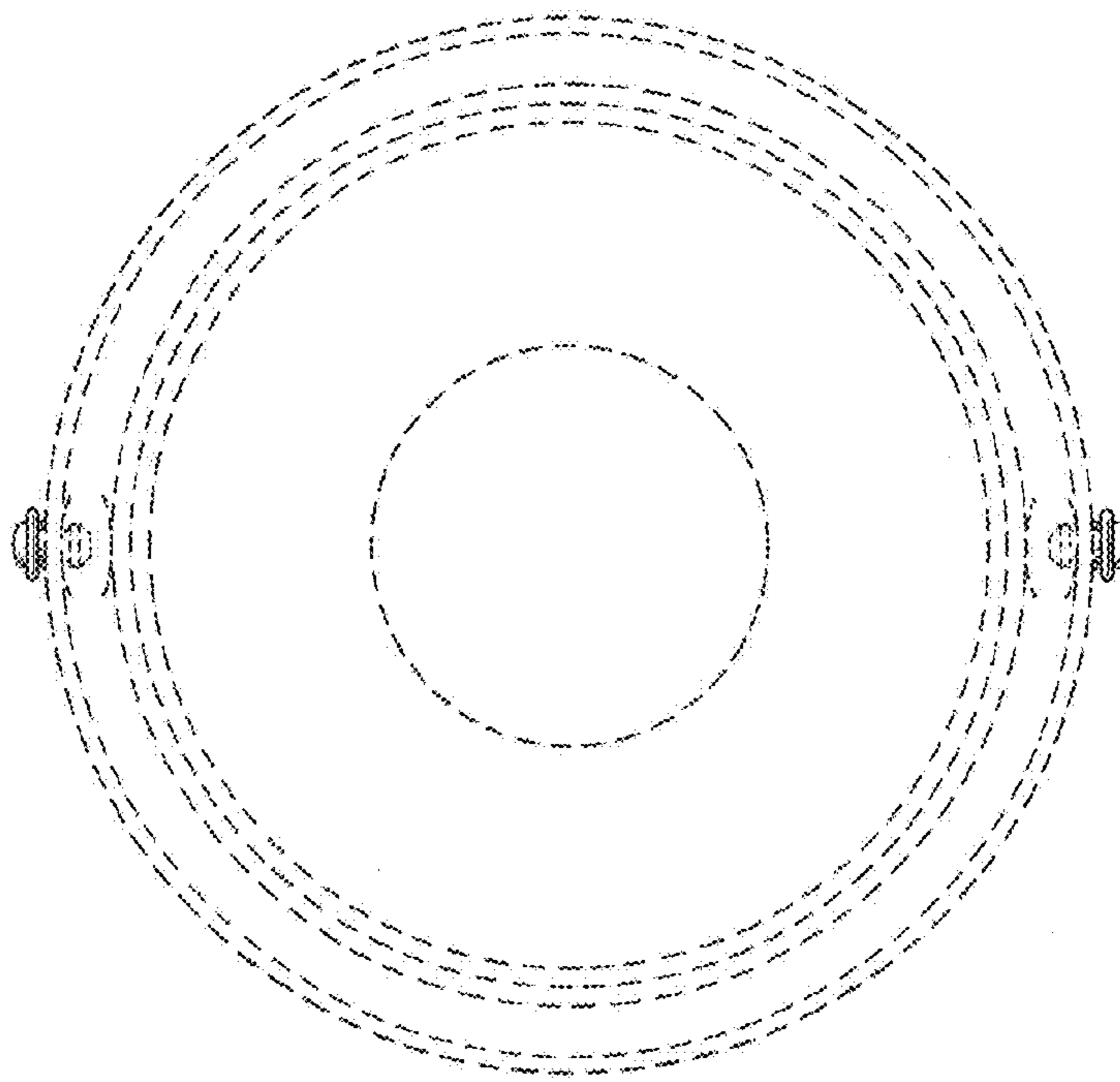


FIG. 7