



US00D761920S

(12) **United States Design Patent**  
**Fargeau et al.**

(10) **Patent No.:** **US D761,920 S**  
(45) **Date of Patent:** **\*\* Jul. 19, 2016**

- (54) **FLYING TOY**
- (71) Applicant: **PARROT**, Paris (FR)
- (72) Inventors: **Karim Fargeau**, Charenton le Pont (FR); **Gauthier Lavagen**, Paris (FR)
- (73) Assignee: **PARROTT DRONES**, Paris (FR)
- (\*\*) Term: **14 Years**
- (21) Appl. No.: **29/506,194**
- (22) Filed: **Oct. 14, 2014**

1,749,471	A *	3/1930	De Bothezat	.....	416/130
2,909,145	A *	10/1959	De Hertelendy	.....	180/218
3,053,480	A *	9/1962	Vanderlip	.....	244/17.13
3,253,806	A *	5/1966	Eickmann	.....	244/17.23
3,327,801	A *	6/1967	Ezra	.....	180/21
3,345,016	A *	10/1967	Eickmann	.....	244/17.23
3,768,757	A *	10/1973	Eickmann	.....	244/17.23
4,090,324	A *	5/1978	Compton	.....	446/267
4,173,321	A *	11/1979	Eickmann	.....	244/17.23
4,505,346	A *	3/1985	Mueller	.....	180/7.4
5,366,034	A *	11/1994	Meyers	.....	180/21
D628,658	S *	12/2010	Wurm	.....	D21/442
2014/0319266	A1 *	10/2014	Moschetta et al.	.....	244/13

**Related U.S. Application Data**

- (63) Continuation-in-part of application No. 29/477,473, filed on Dec. 23, 2013.

(30) **Foreign Application Priority Data**

Dec. 6, 2013	(EM)	.....	002365270-0001
Sep. 25, 2014	(EM)	.....	002545301-0001
Sep. 25, 2014	(EM)	.....	002545301-0002

- (51) **LOC (10) Cl.** ..... **21-01**

- (52) **U.S. Cl.**  
USPC ..... **D21/436**; D12/16.1; D12/328; D21/442

- (58) **Field of Classification Search**  
USPC ..... D12/1, 2, 16.1, 319-345; D21/430, D21/436-454  
CPC ..... A63H 27/00; A63H 27/02; A63H 27/04; A63H 27/12; B64C 2201/024; B64C 2201/108; B64C 2201/164; B64C 2203/00; B64C 39/00; B64C 39/006; B64C 39/24; B64C 39/028  
See application file for complete search history.

(56) **References Cited**

**U.S. PATENT DOCUMENTS**

89,128	A *	4/1869	Cohu	.....	280/206
--------	-----	--------	------	-------	---------

\* cited by examiner

*Primary Examiner* — Martie K Holtje

(74) *Attorney, Agent, or Firm* — Marshall, Gerstein & Borun LLP

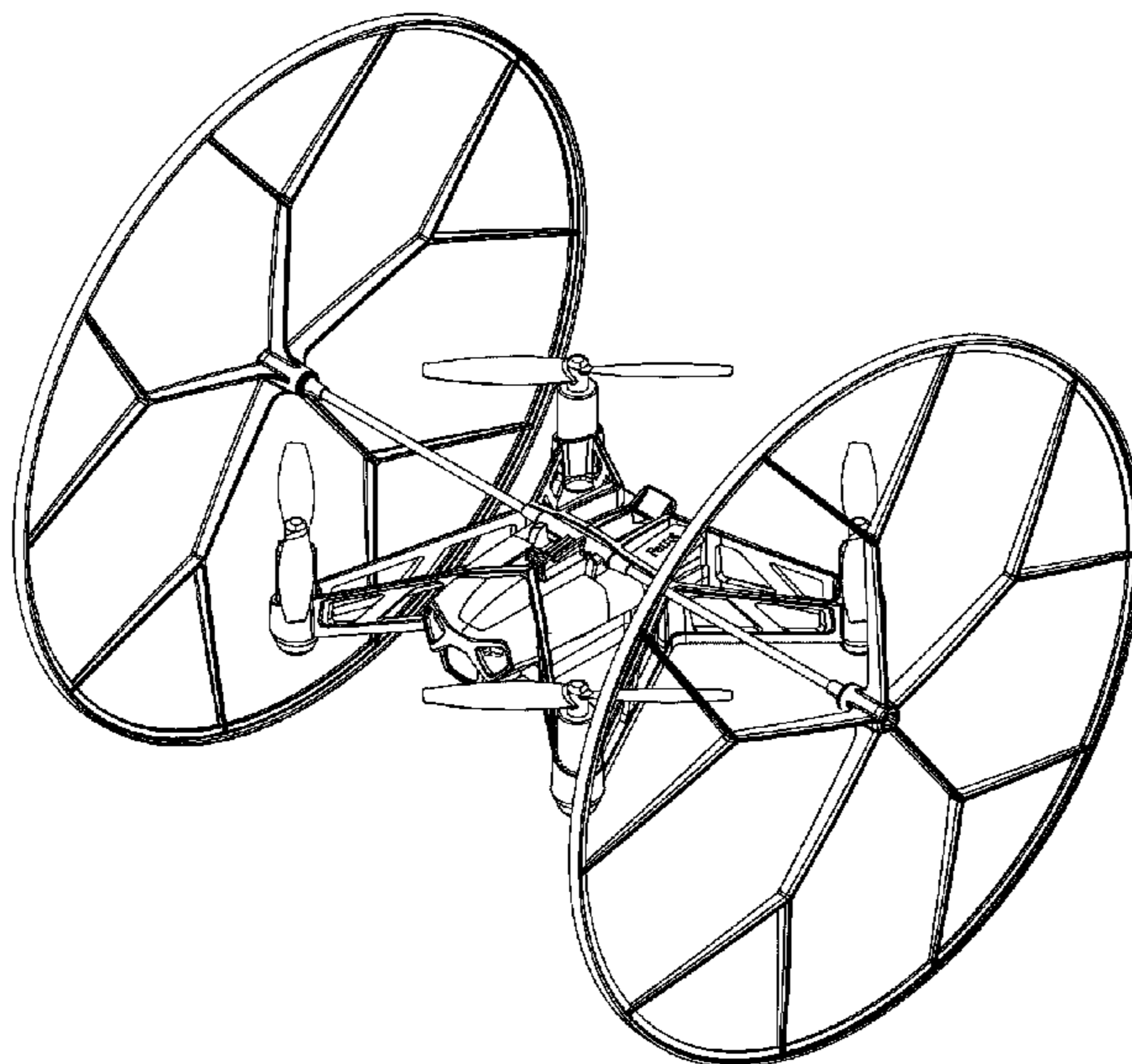
(57) **CLAIM**

The ornamental design for a flying toy, as shown and described.

**DESCRIPTION**

FIG. 1 is a front, right-side, and top isometric view of a flying toy showing the new design.  
 FIG. 2 is a front elevation view of the flying toy.  
 FIG. 3 is a rear elevation view of the flying toy.  
 FIG. 4 is a left-side elevation view of the flying toy.  
 FIG. 5 is a right-side elevation view of the flying toy.  
 FIG. 6 is a top plan view of the flying toy; and,  
 FIG. 7 is a bottom plan view of the flying toy.  
 The structural elements depicted by broken lines have been shown for the purpose of illustrating portions of the flying toy that form no part of the claimed design.

**1 Claim, 7 Drawing Sheets**



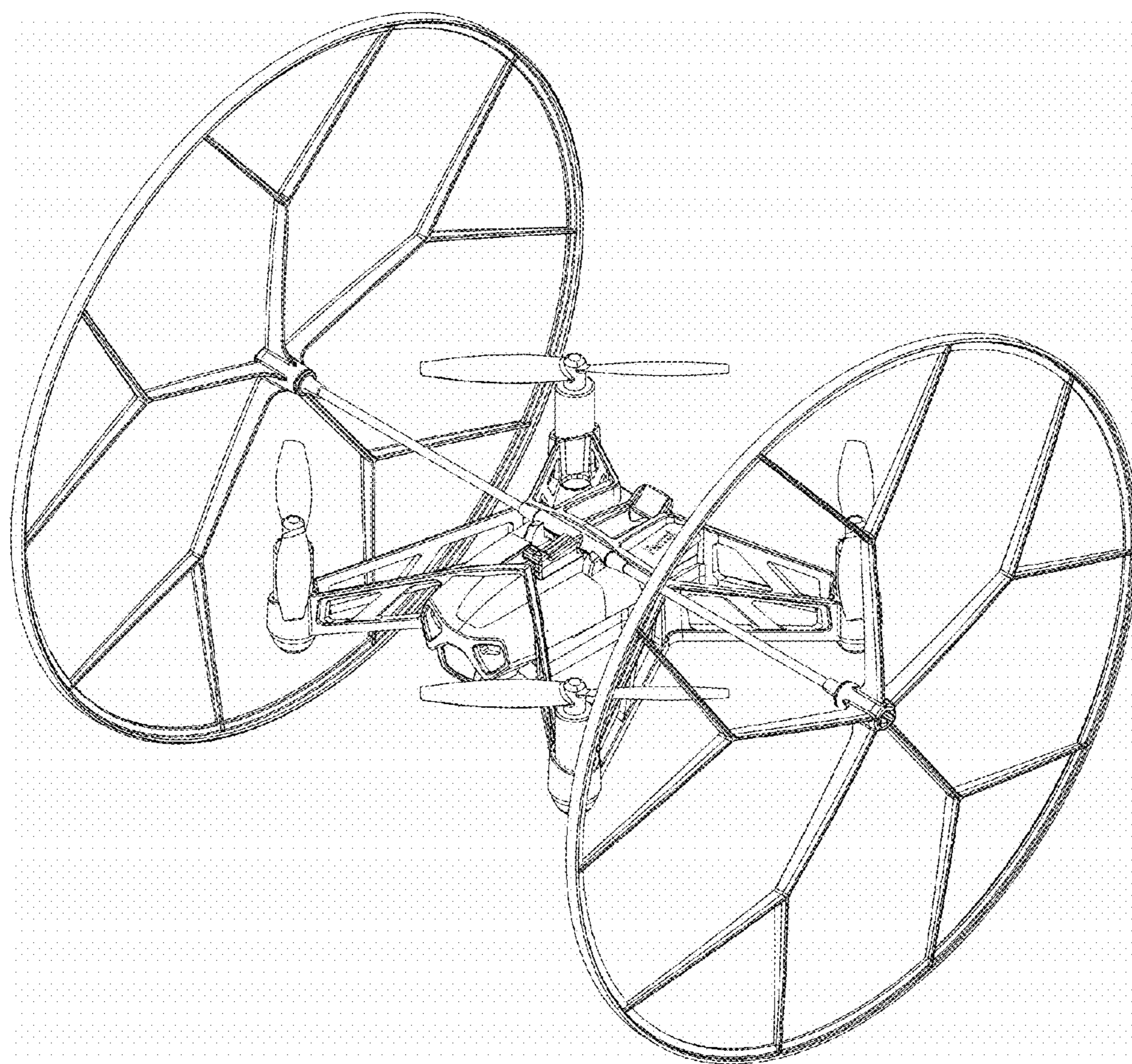


Fig. 1

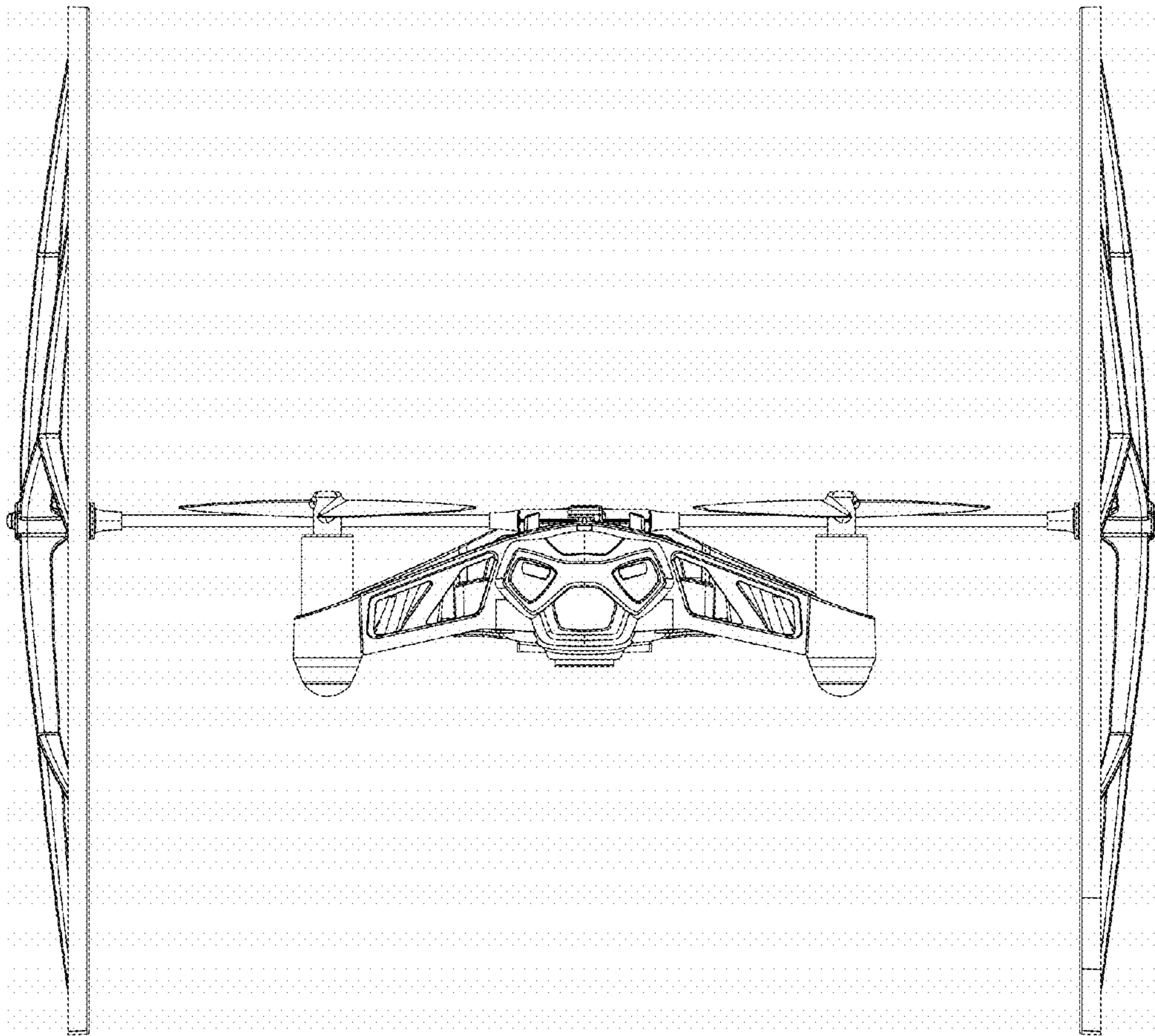


Fig. 2

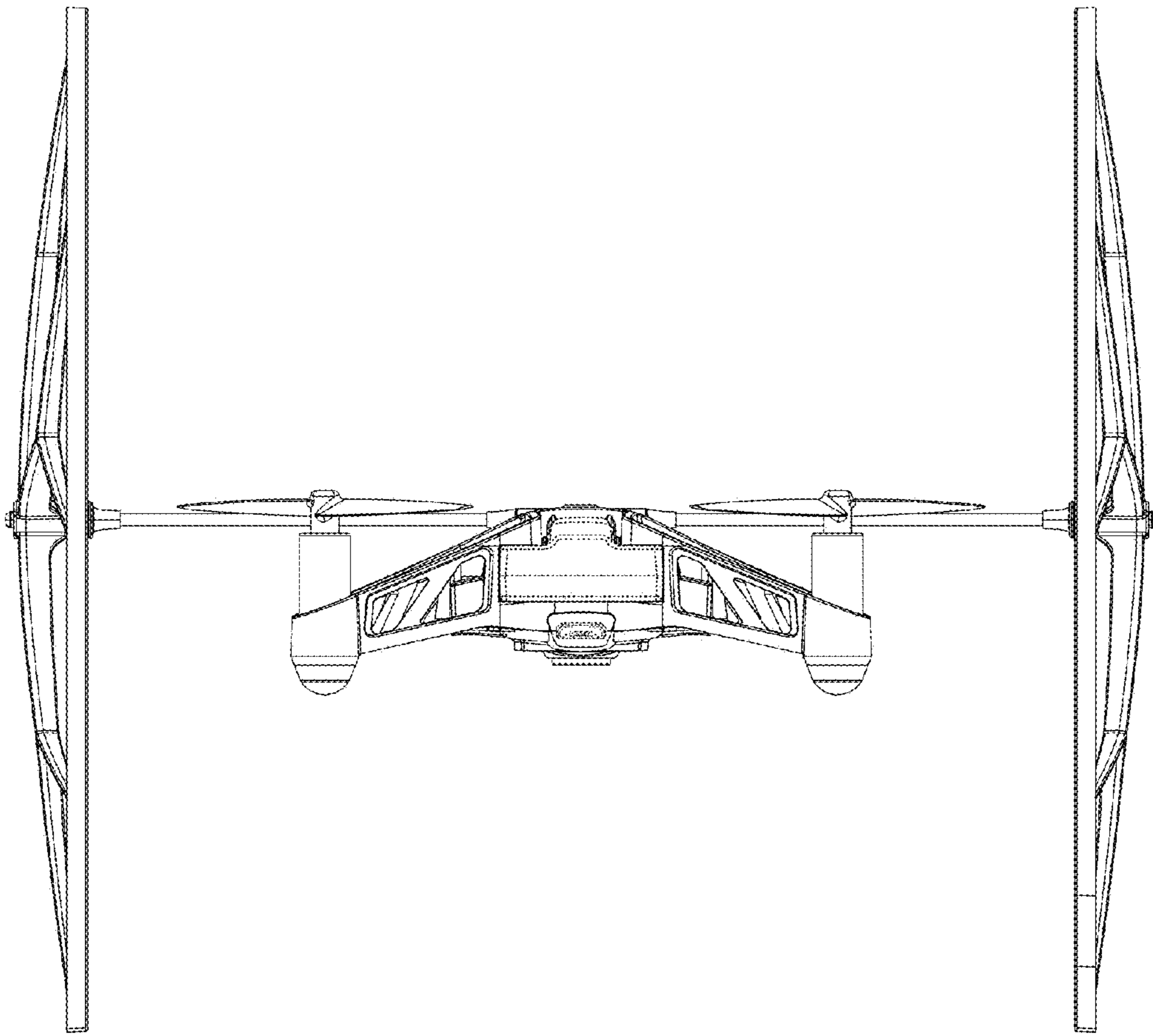


Fig. 3

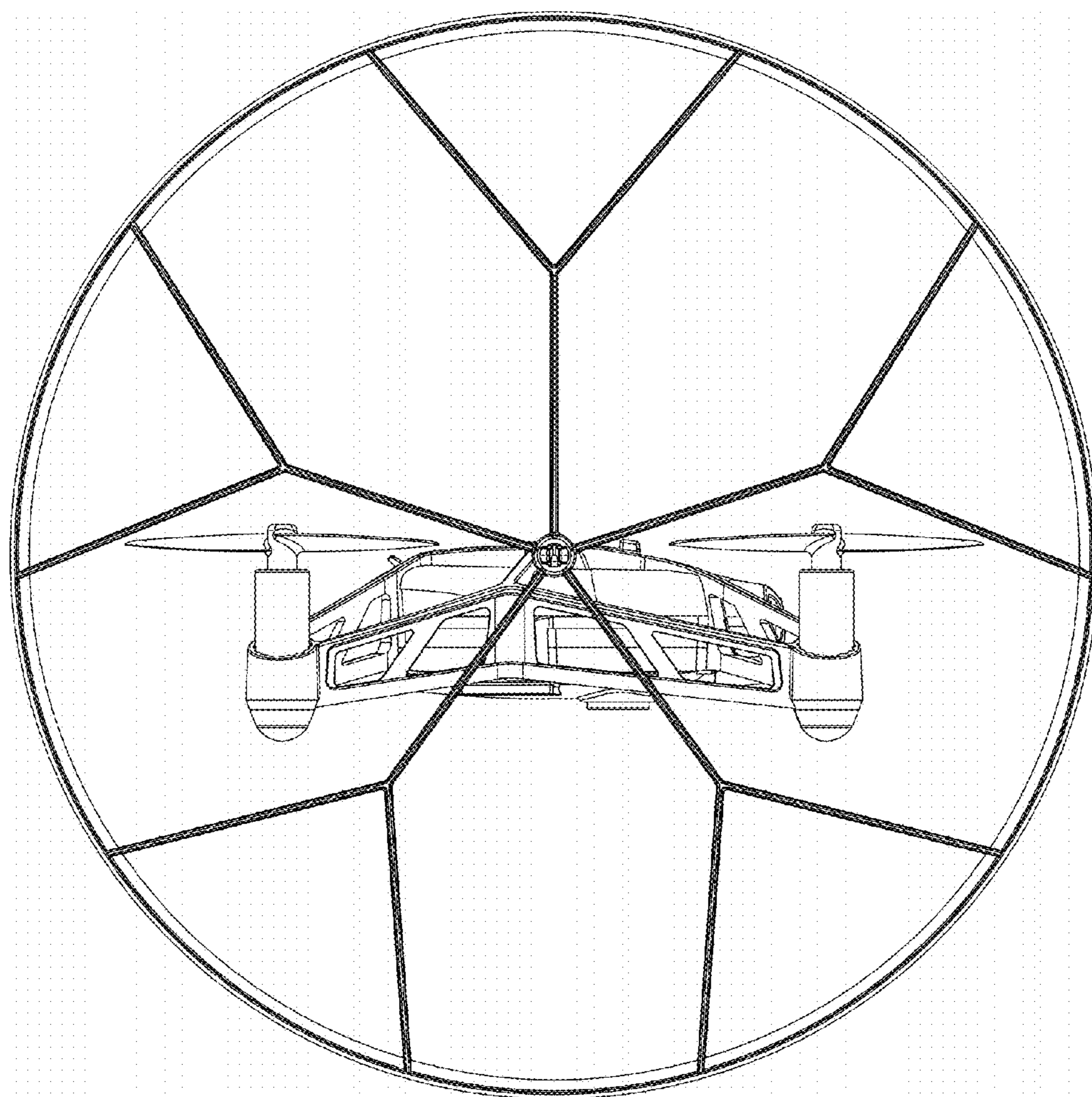


Fig. 4

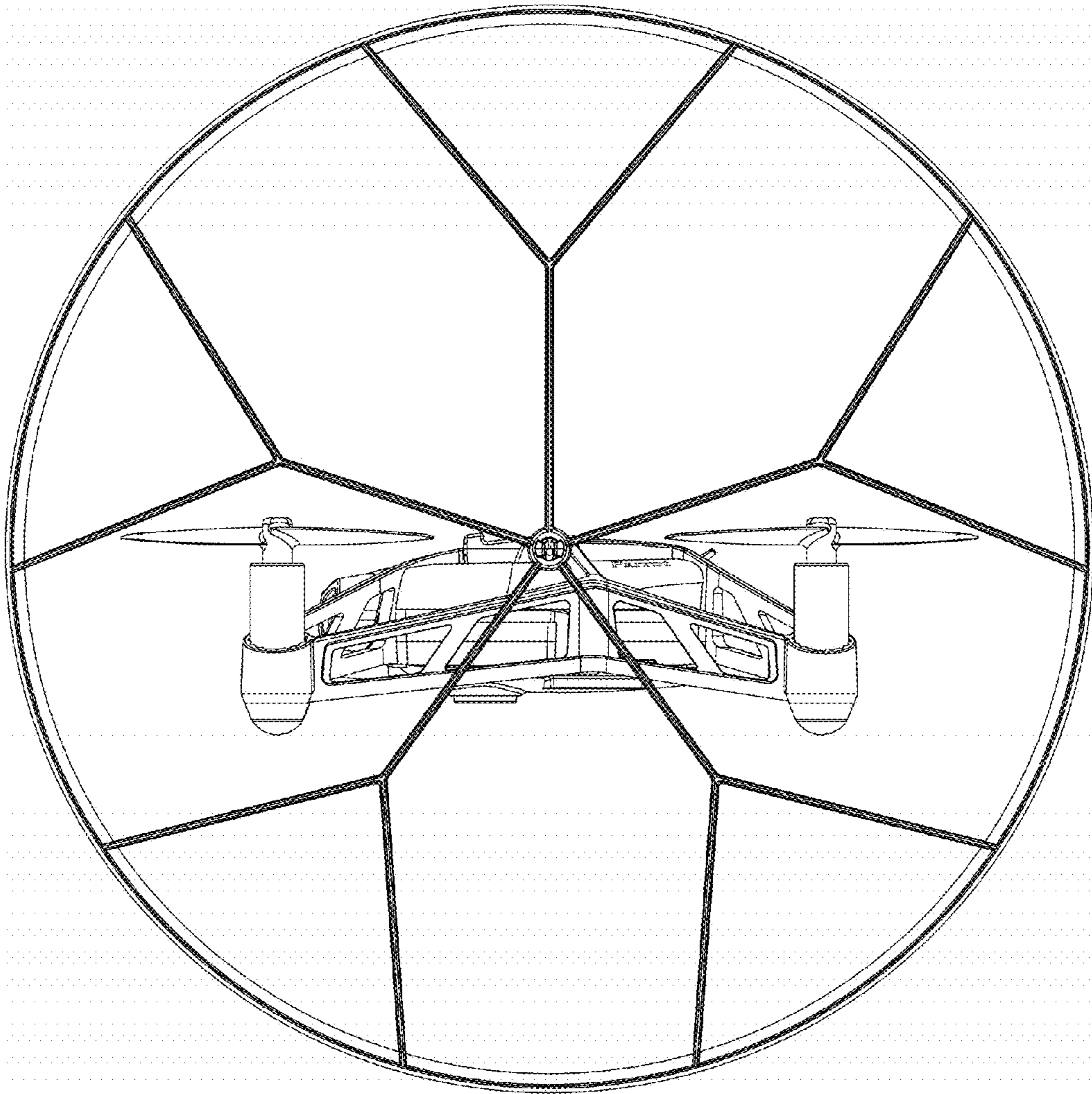


Fig. 5

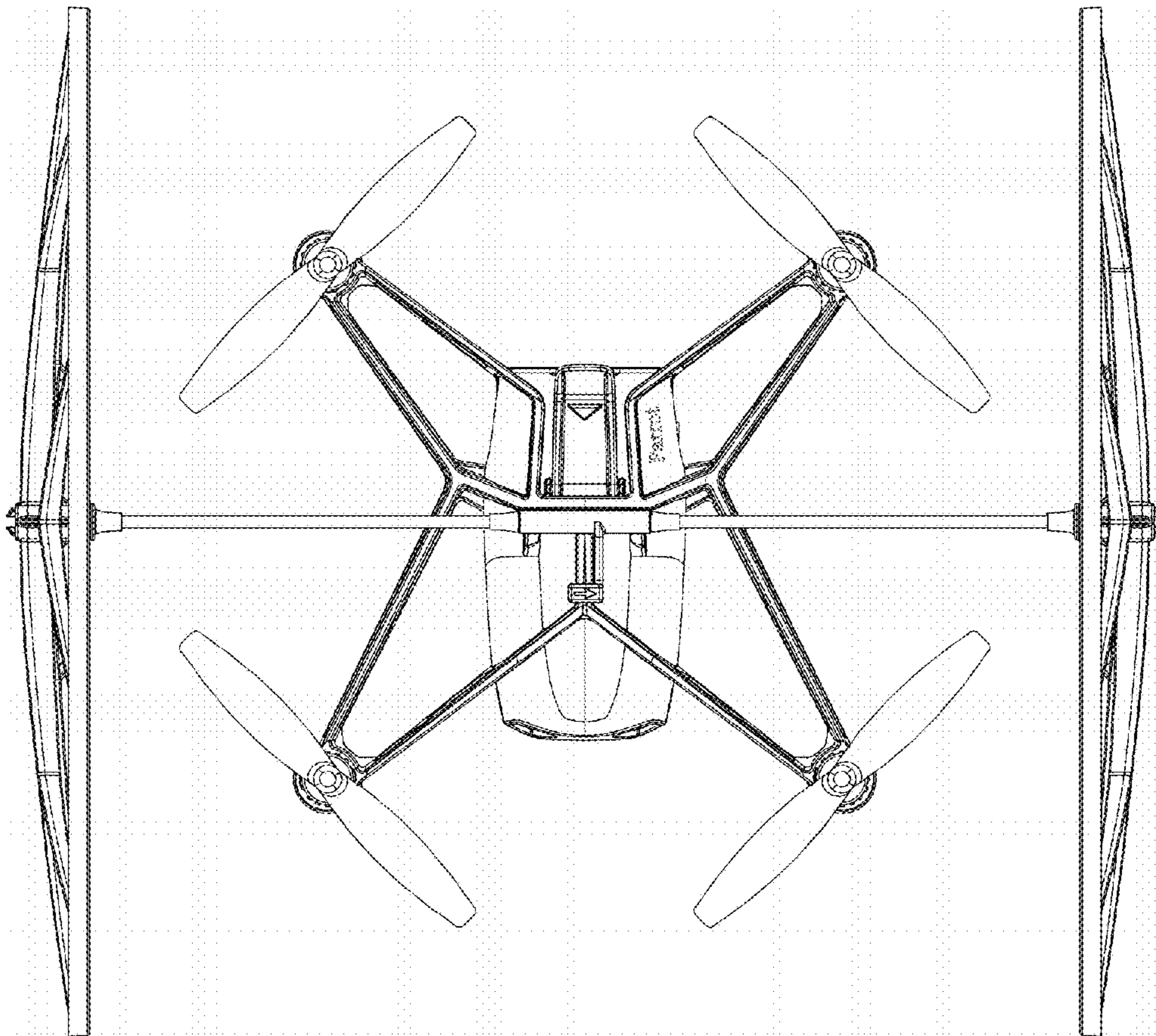


Fig. 6

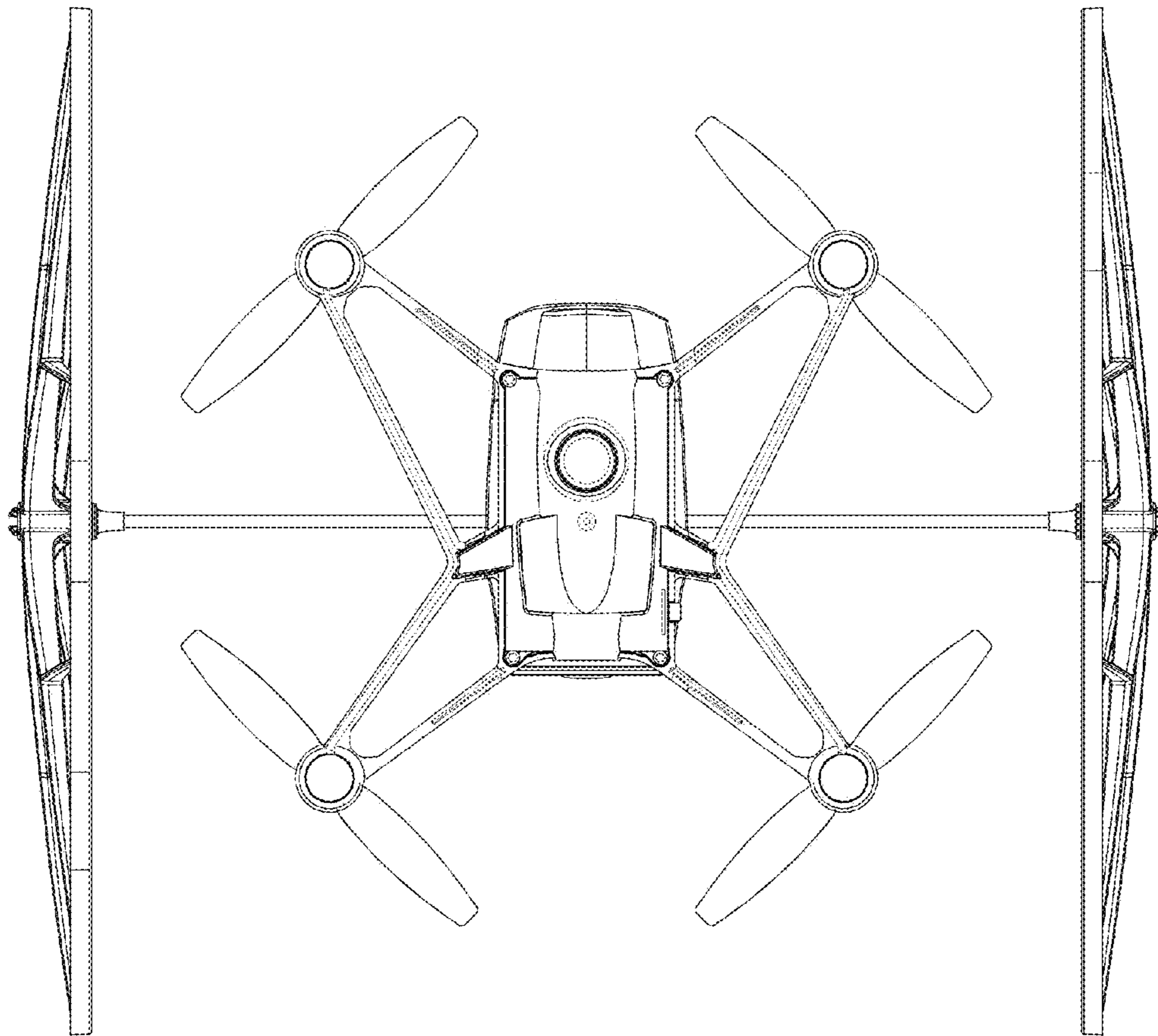


Fig. 7