

US00D761918S

(12) **United States Design Patent**
Kelly et al.

(10) **Patent No.:** **US D761,918 S**
(45) **Date of Patent:** **** Jul. 19, 2016**

(54) **ELECTRONIC GAMING TABLE WITH A SHARED DISPLAY**

(71) Applicant: **Bally Gaming, Inc.**, Las Vegas, NV (US)

(72) Inventors: **Bryan M. Kelly**, Alamo, CA (US); **Joseph R. Hedrick**, Reno, NV (US); **Scott Hilbert**, Reno, NV (US); **Gordon Myers**, Reno, NV (US); **Kay Vetter**, Reno, NV (US)

(73) Assignee: **Bally Gaming, Inc.**, Las Vegas, NV (US)

(**) Term: **14 Years**

(21) Appl. No.: **29/503,216**

(22) Filed: **Sep. 24, 2014**

(51) **LOC (10) Cl.** **21-01**

(52) **U.S. Cl.**
USPC **D21/397**; D21/369

(58) **Field of Classification Search**
USPC D21/325–333, 369–370, 397; 273/358, 273/274; 463/17.2, 42, 46–47; D14/304–305, 371
CPC A63F 5/00; A63F 5/04
See application file for complete search history.

(56) **References Cited**

U.S. PATENT DOCUMENTS

D469,635 S * 2/2003 Hirsch D6/691.5
D512,466 S * 12/2005 White D21/369

D549,785 S * 8/2007 Luciano, Jr. D21/329
D568,412 S * 5/2008 Baazov D21/369
D568,413 S * 5/2008 Baazov D21/369
D568,943 S * 5/2008 Baazov D21/369
D571,365 S * 6/2008 Morelock D14/371
D571,803 S * 6/2008 Morelock D14/371
D571,804 S * 6/2008 Morelock D14/371
D579,500 S * 10/2008 Luciano, Jr. D21/369
D595,785 S * 7/2009 Wells D21/370
D611,997 S * 3/2010 De Viveiros Ortiz D21/397
D657,823 S * 4/2012 Gutowski D21/325
D677,655 S * 3/2013 Sirotych D14/305
8,502,789 B2 * 8/2013 Tse G06F 3/0425
345/173
8,663,016 B2 * 3/2014 Yamamoto A63F 13/10
463/42

* cited by examiner

Primary Examiner — Sandra Morris

(74) *Attorney, Agent, or Firm* — Philip J. Anderson; Marvin A. Hein

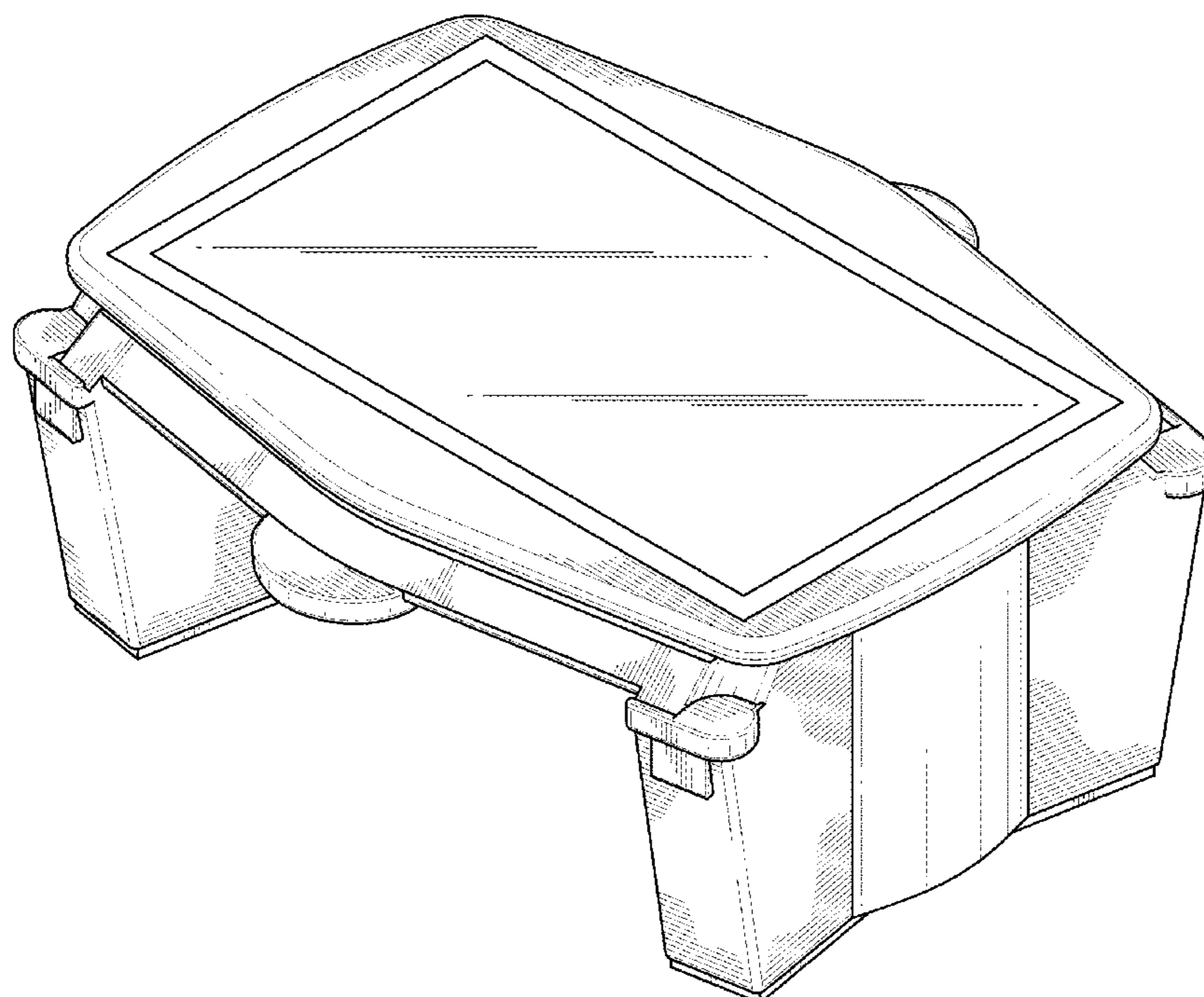
(57) **CLAIM**

The ornamental design for an electronic gaming table with a shared display, as shown and described.

DESCRIPTION

FIG. 1 is a top-front-side perspective view of an electronic gaming table with a shared display showing our new design
FIG. 2 is front/rear view thereof;
FIG. 3 is a right/left side view thereof; and,
FIG. 4 is a top/front/right side perspective view thereof.

1 Claim, 3 Drawing Sheets



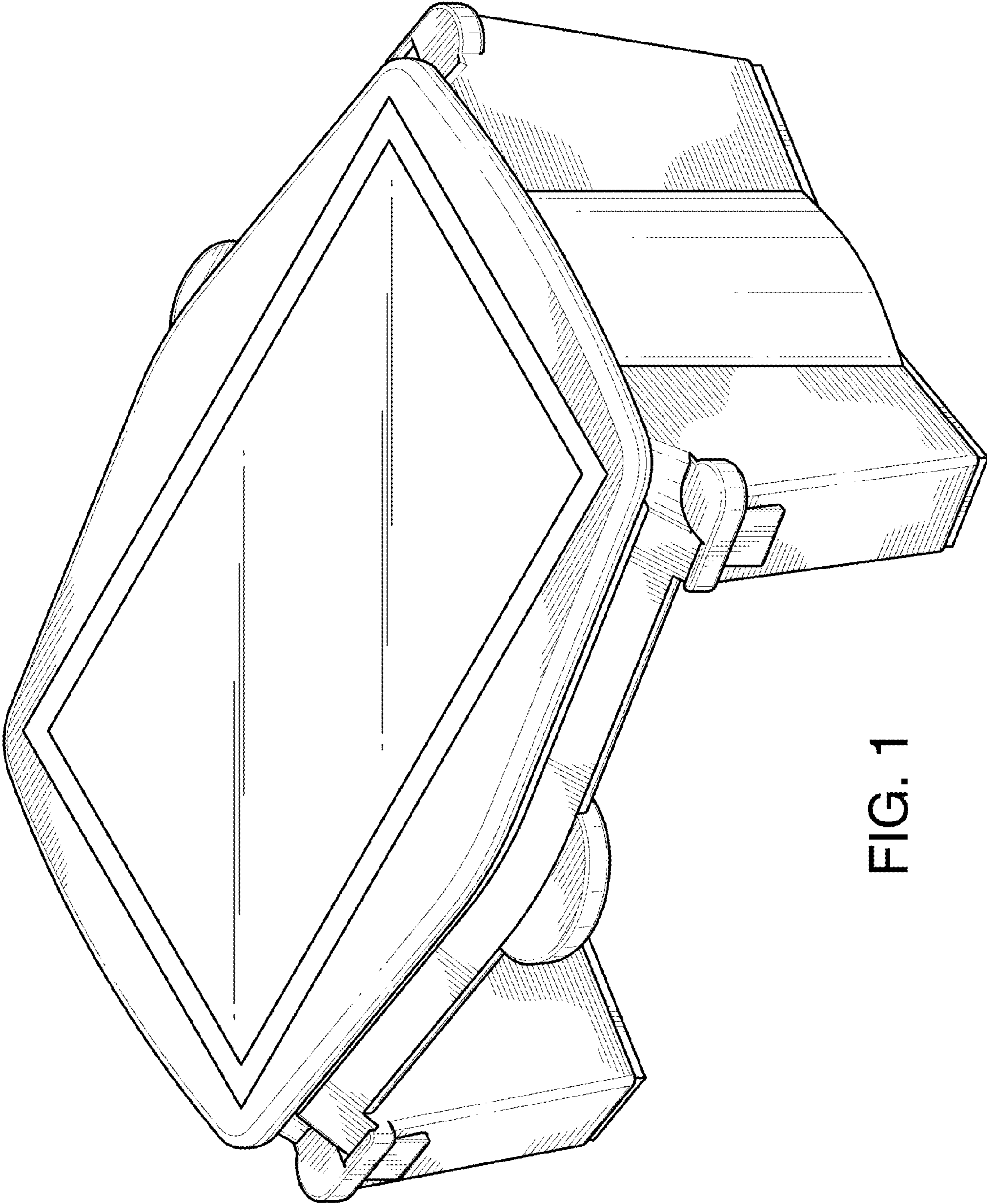


FIG. 1

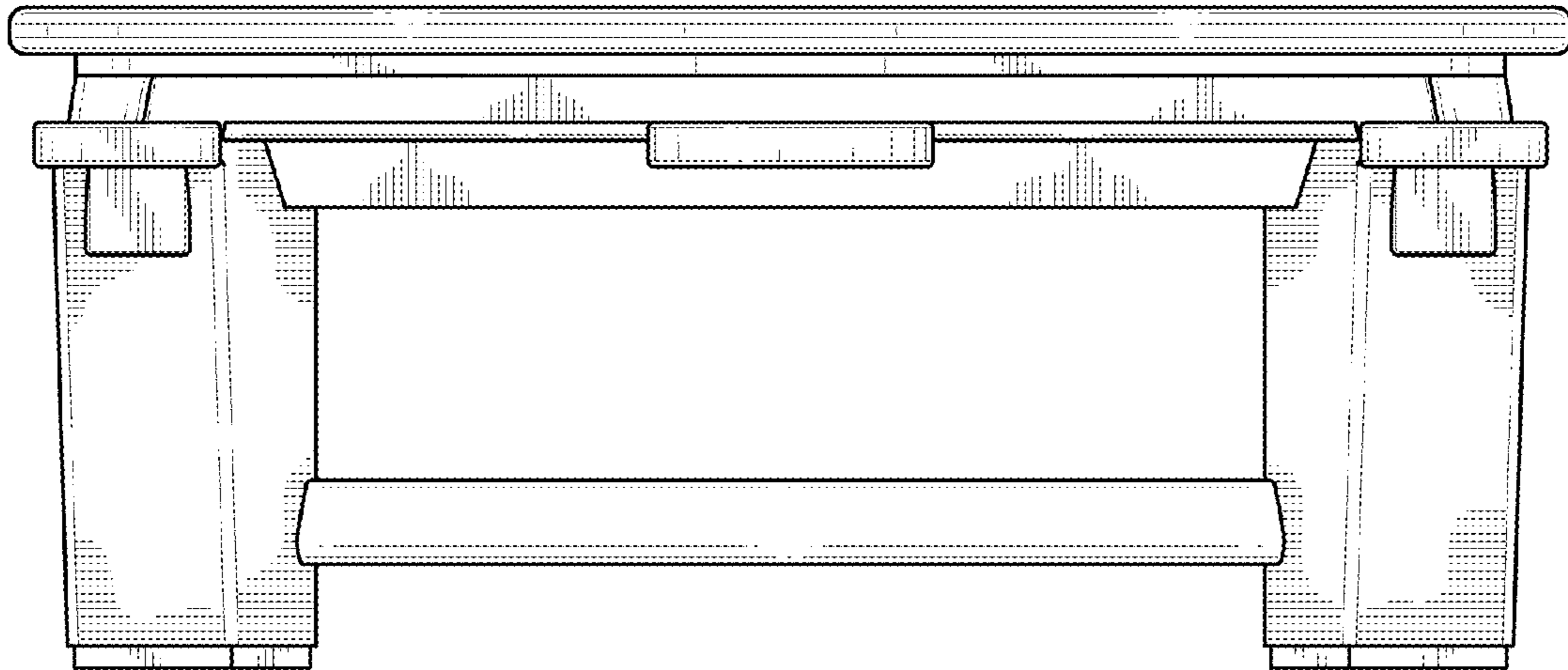


FIG. 2

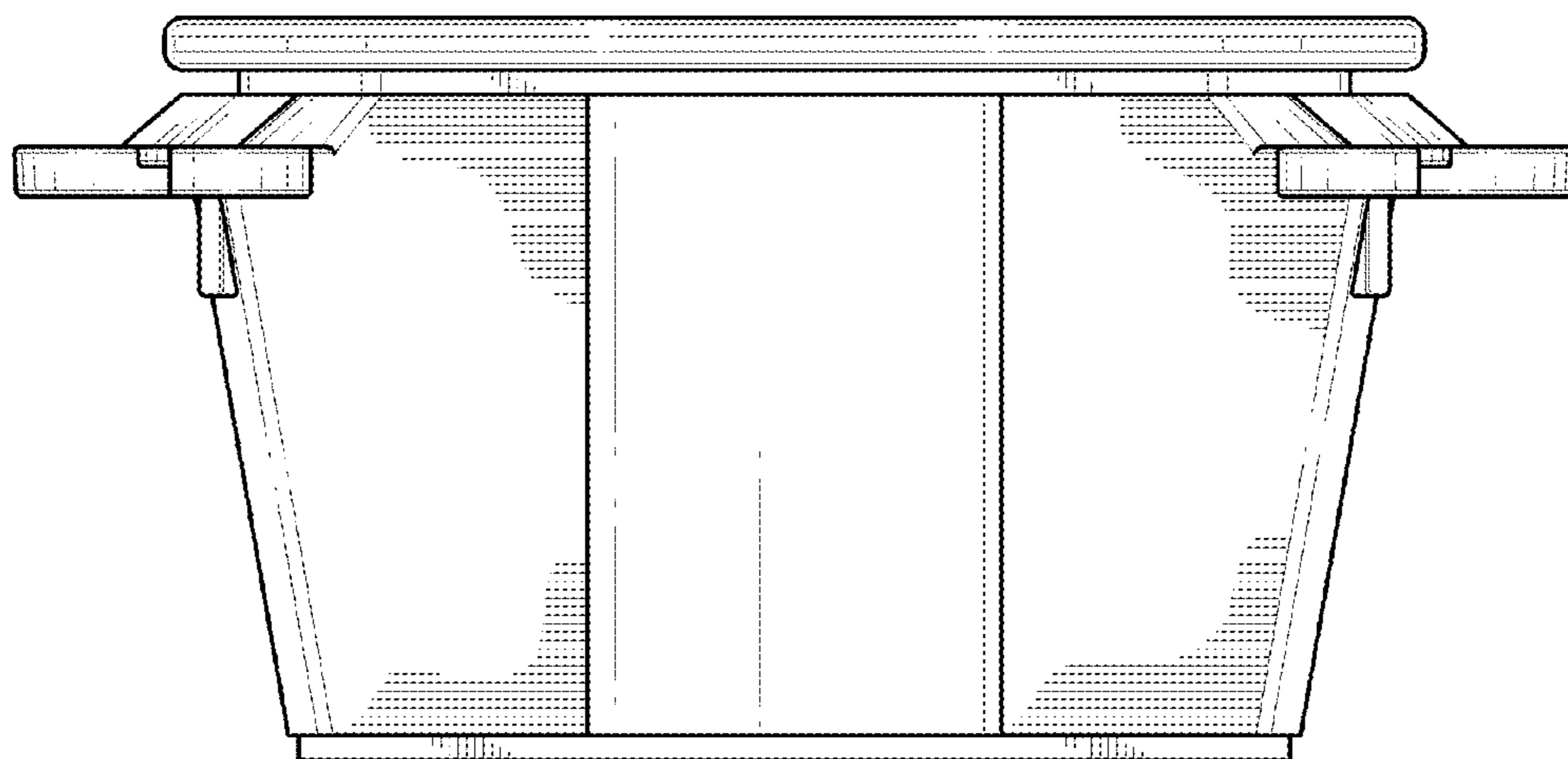


FIG. 3

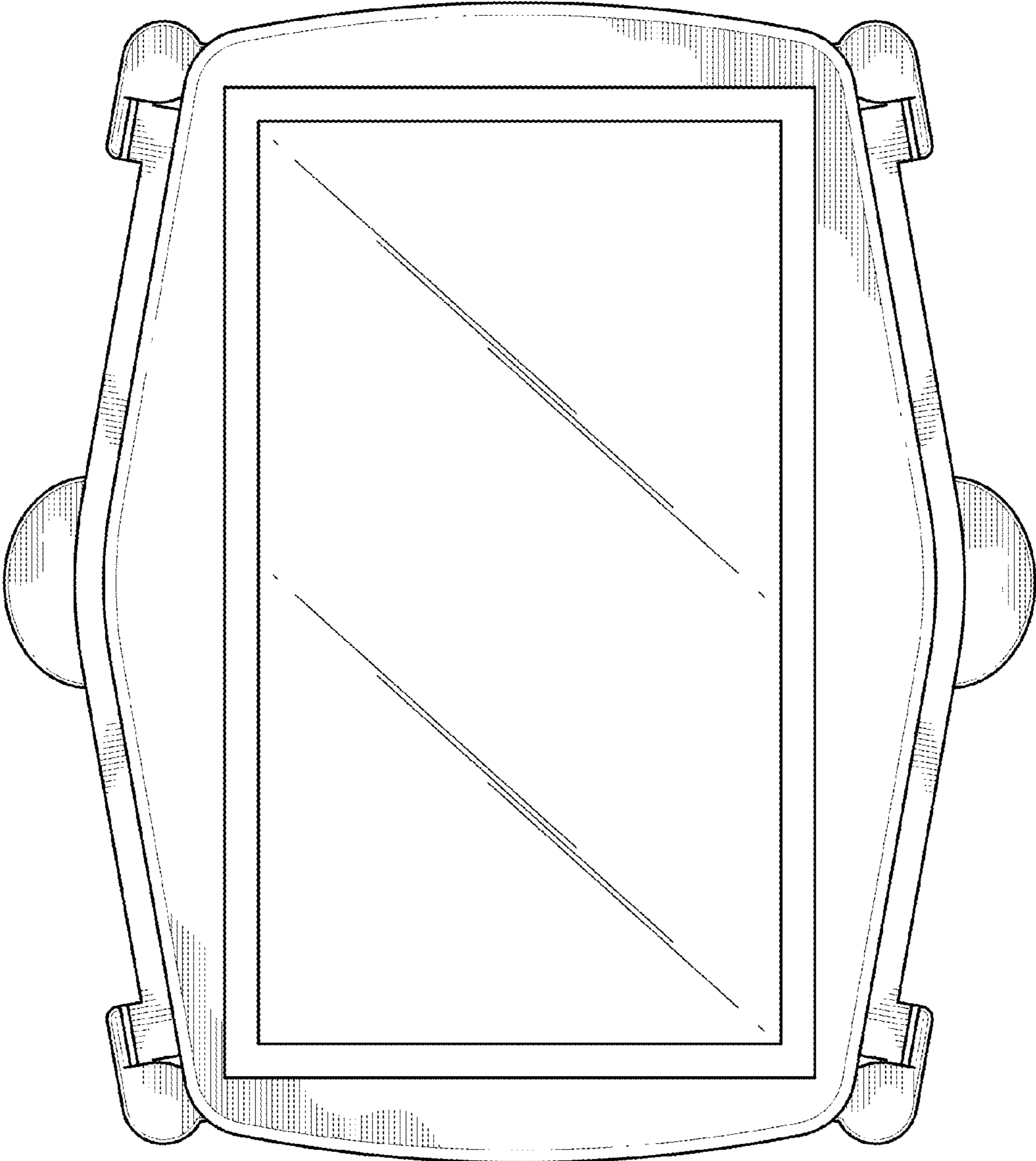


FIG. 4