

US00D761915S

(12) **United States Design Patent**
Kushner

(10) **Patent No.:** **US D761,915 S**
(45) **Date of Patent:** **** Jul. 19, 2016**

(54) **WHEEL OF SHOTS**
(71) Applicant: **Robert Kushner**, Pok Fu Lam (HK)
(72) Inventor: **Robert Kushner**, Pok Fu Lam (HK)
(73) Assignee: **URBAN TREND LLC**, Newport Beach, CA (US)

D275,116 S * 8/1984 Mickens D21/375
5,360,214 A * 11/1994 Harmen A63F 7/048
273/142 E
D380,780 S * 7/1997 Capote D21/374
8,196,927 B2 * 6/2012 Marantz A63F 5/02
273/142 E
D690,368 S * 9/2013 Wojdyla-Gray D21/374
8,651,492 B1 * 2/2014 Cappuccio A63B 67/002
273/317

(**) Term: **14 Years**

* cited by examiner

(21) Appl. No.: **29/474,603**

Primary Examiner — Sandra Morris

(22) Filed: **Nov. 19, 2014**

(57) **CLAIM**

(51) **LOC (10) Cl.** **21-01**

The ornamental design for a wheel of shots, as shown and described.

(52) **U.S. Cl.**

DESCRIPTION

USPC **D21/374**

(58) **Field of Classification Search**

USPC D21/300–303, 369, 374–374, 385;
273/274, 139, 142 R, 142 E, 142 JA
CPC A63F 5/00; A63F 5/04
See application file for complete search history.

FIG. 1 is a front, top and side perspective view of a wheel of shots of my new design;
FIG. 2 is a front view of FIG. 1;
FIG. 3 is a back view of FIG. 1;
FIG. 4 is a top view of FIG. 1;
FIG. 5 is a bottom view of FIG. 1; and,
FIG. 6 is a side view of FIG. 1.

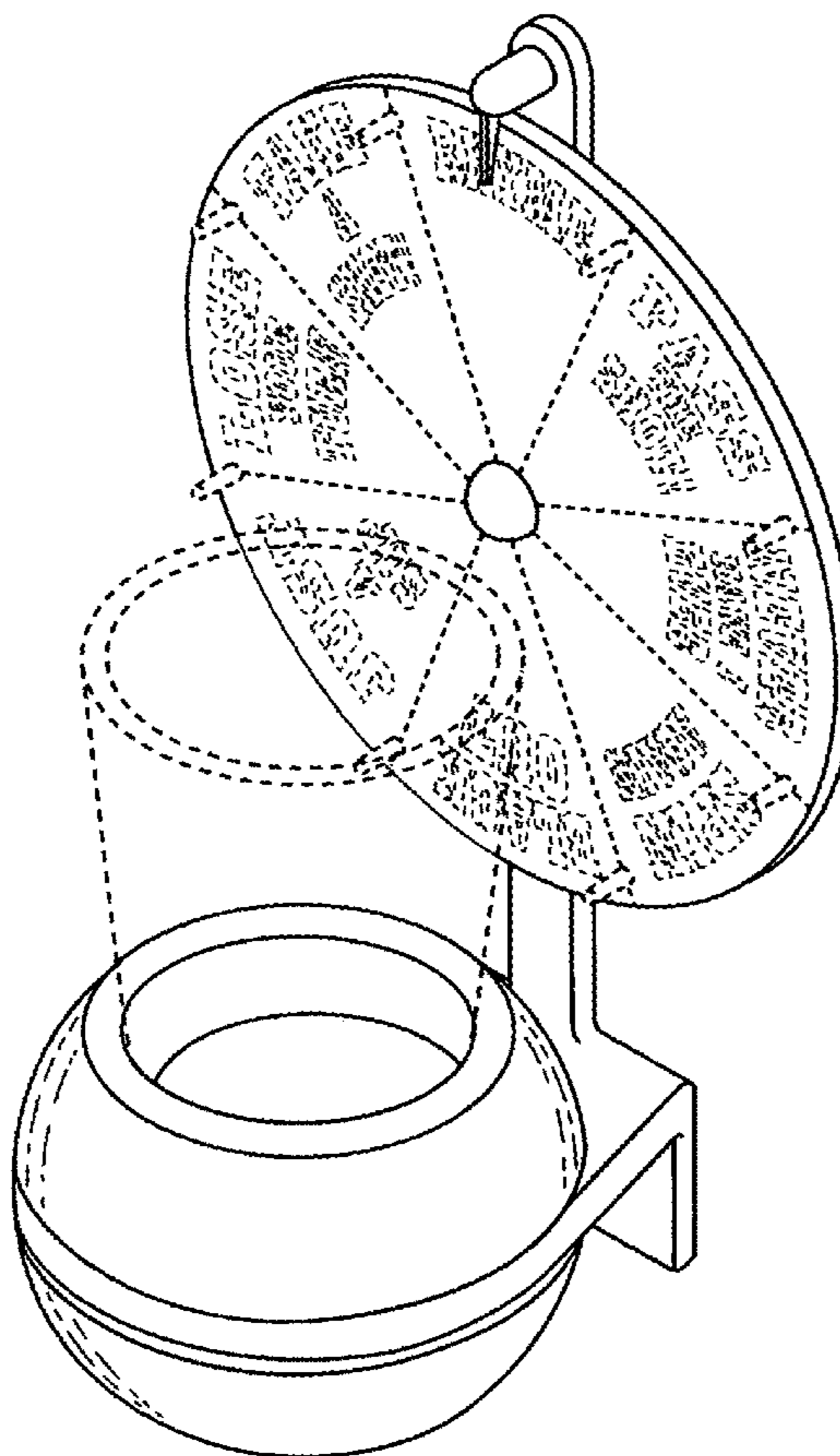
The broken lines are for illustrative purposes only and form no part of the claimed design.

(56) **References Cited**

U.S. PATENT DOCUMENTS

2,123,285 A * 7/1938 Miller G09F 19/10
273/142 JA
D185,354 S * 6/1959 Ducat D21/374

1 Claim, 5 Drawing Sheets



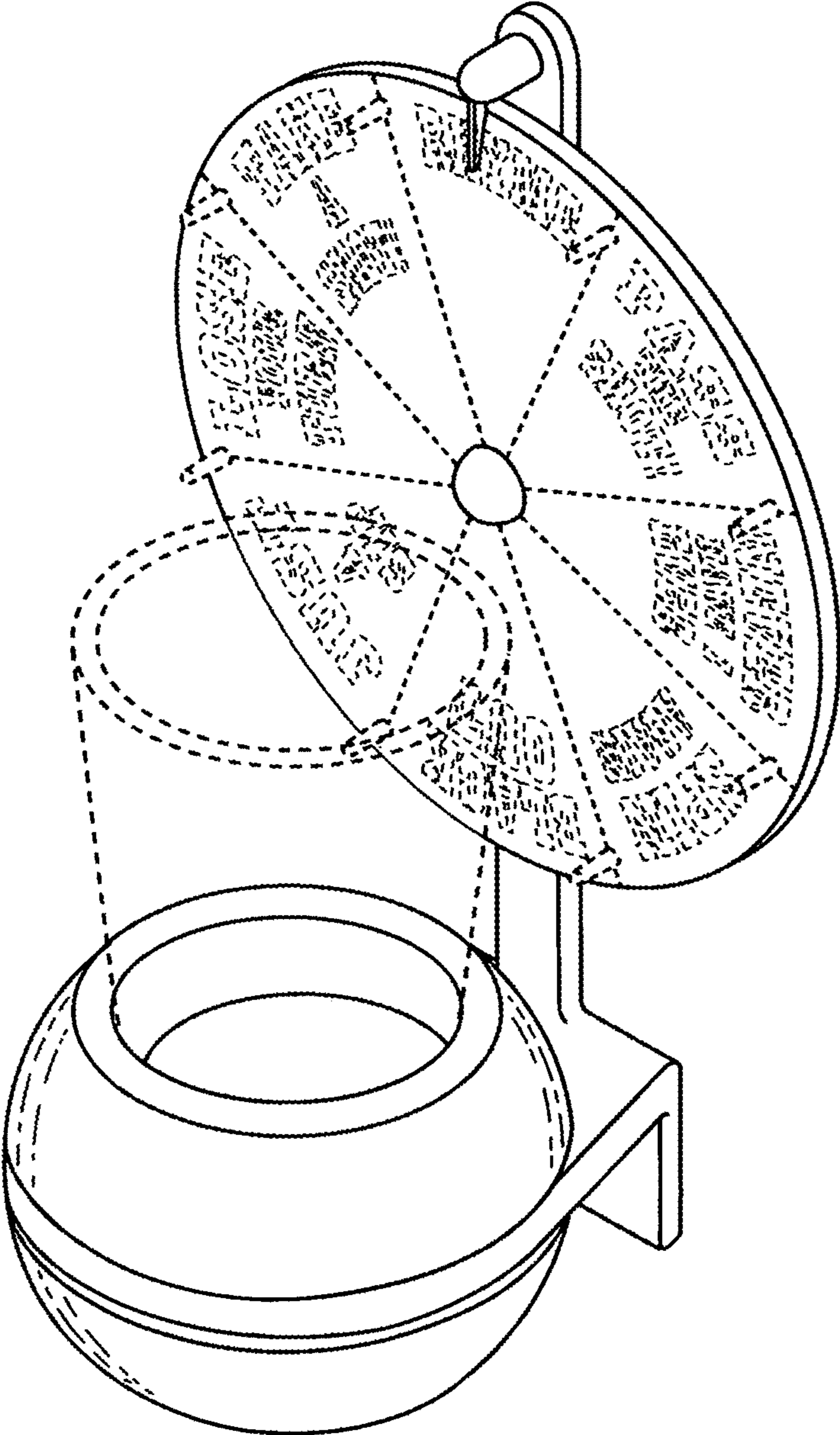


Fig. 1

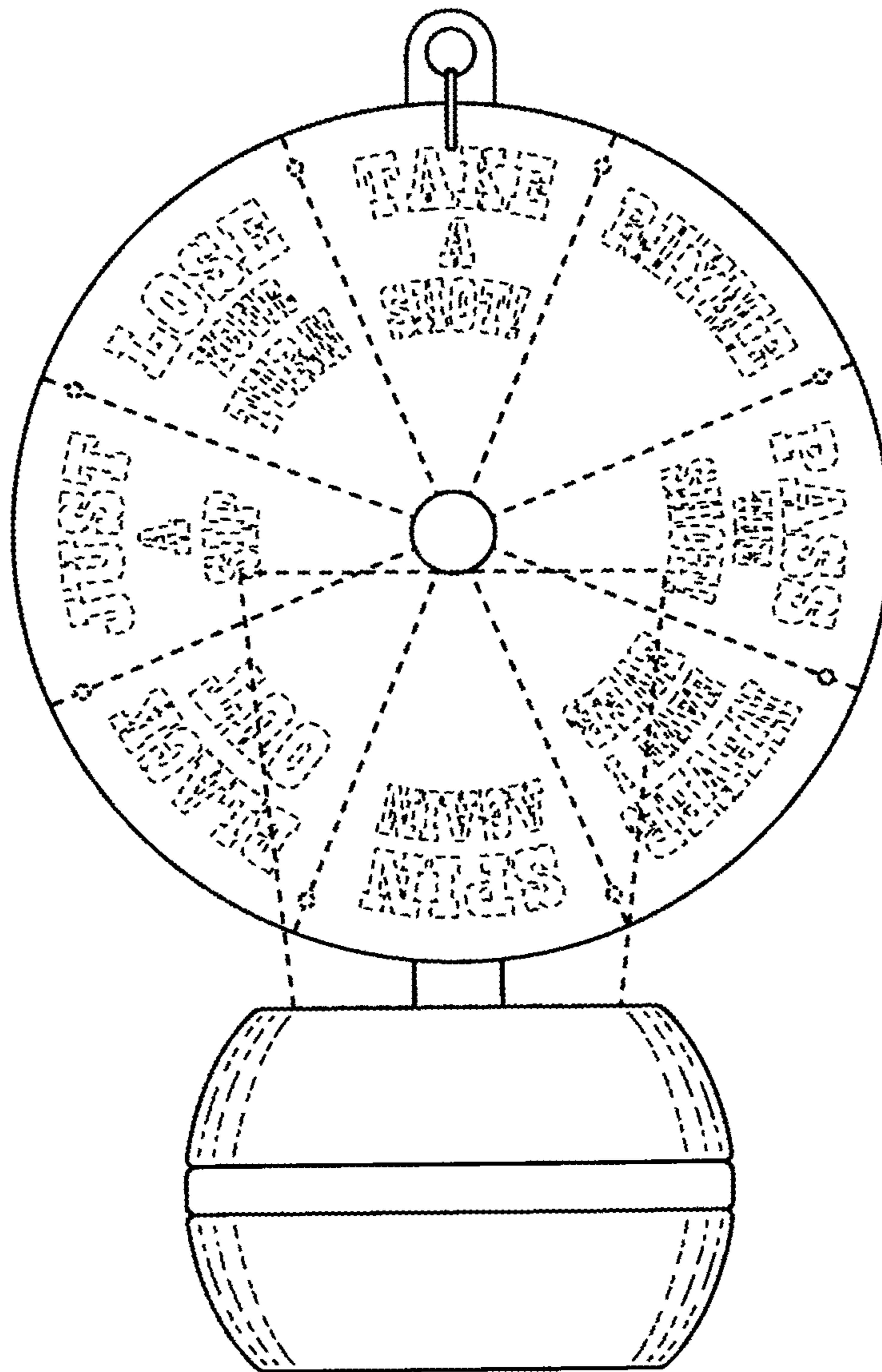


Fig. 2

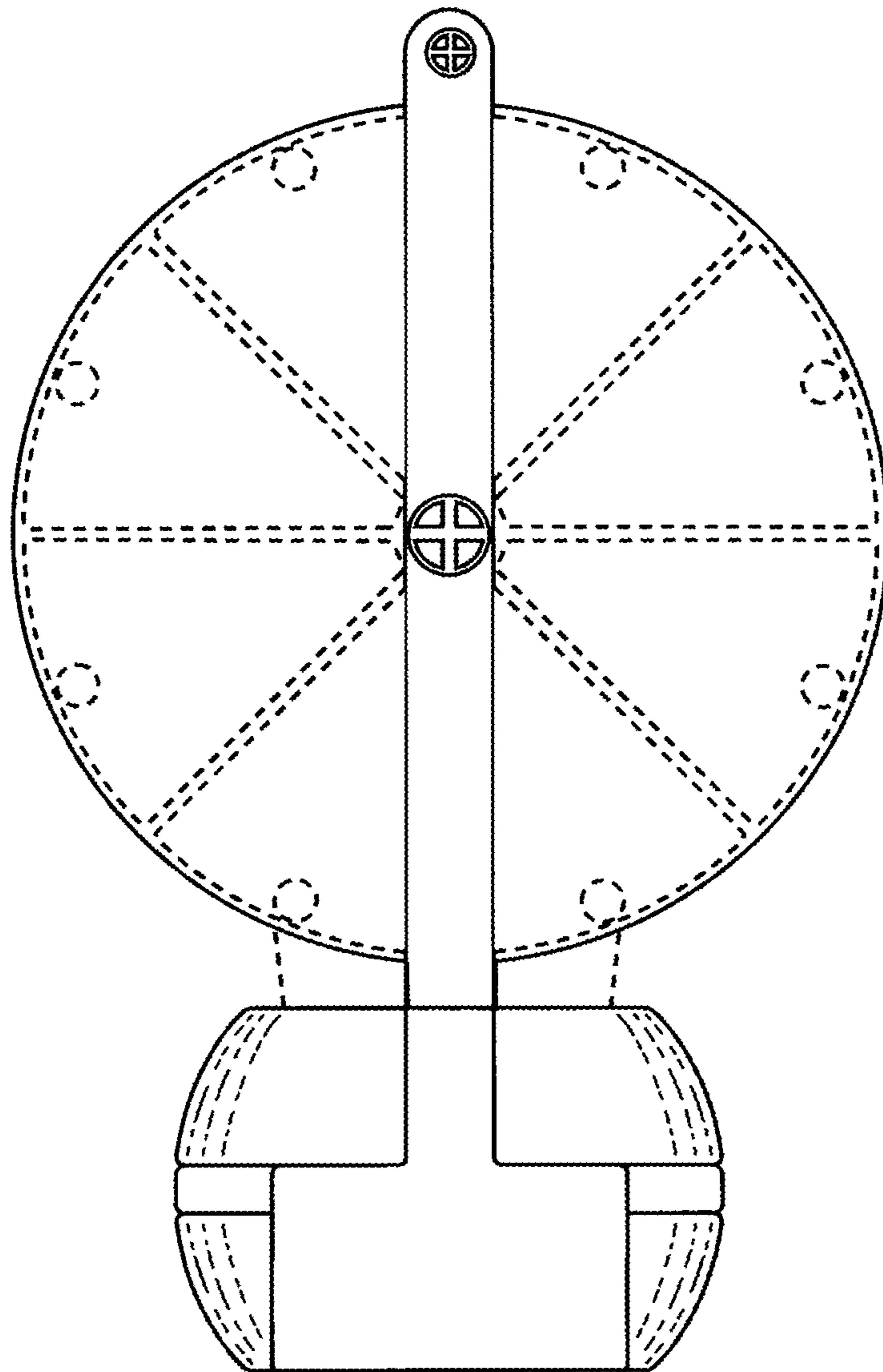


Fig. 3

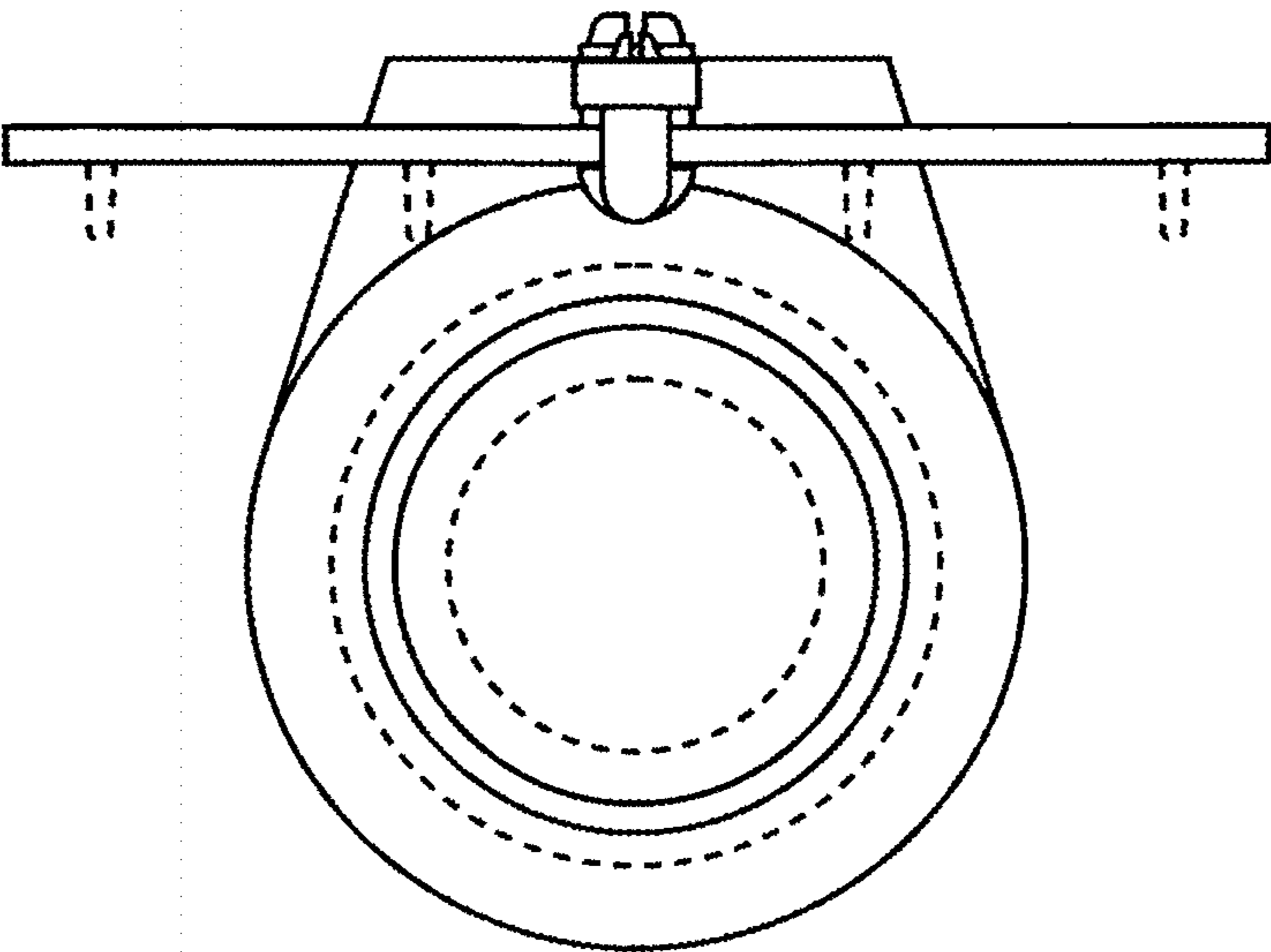


Fig. 4

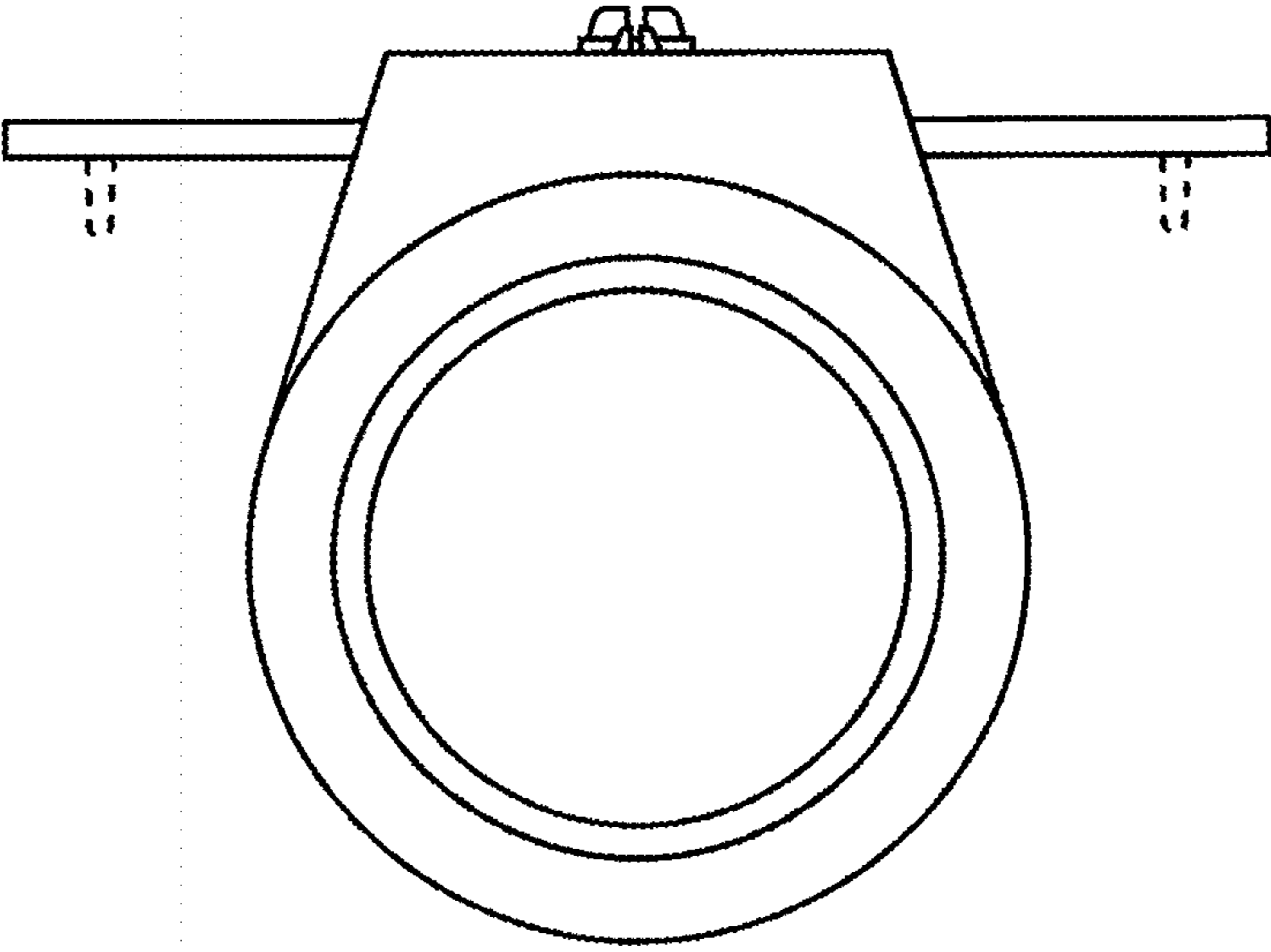


Fig. 5

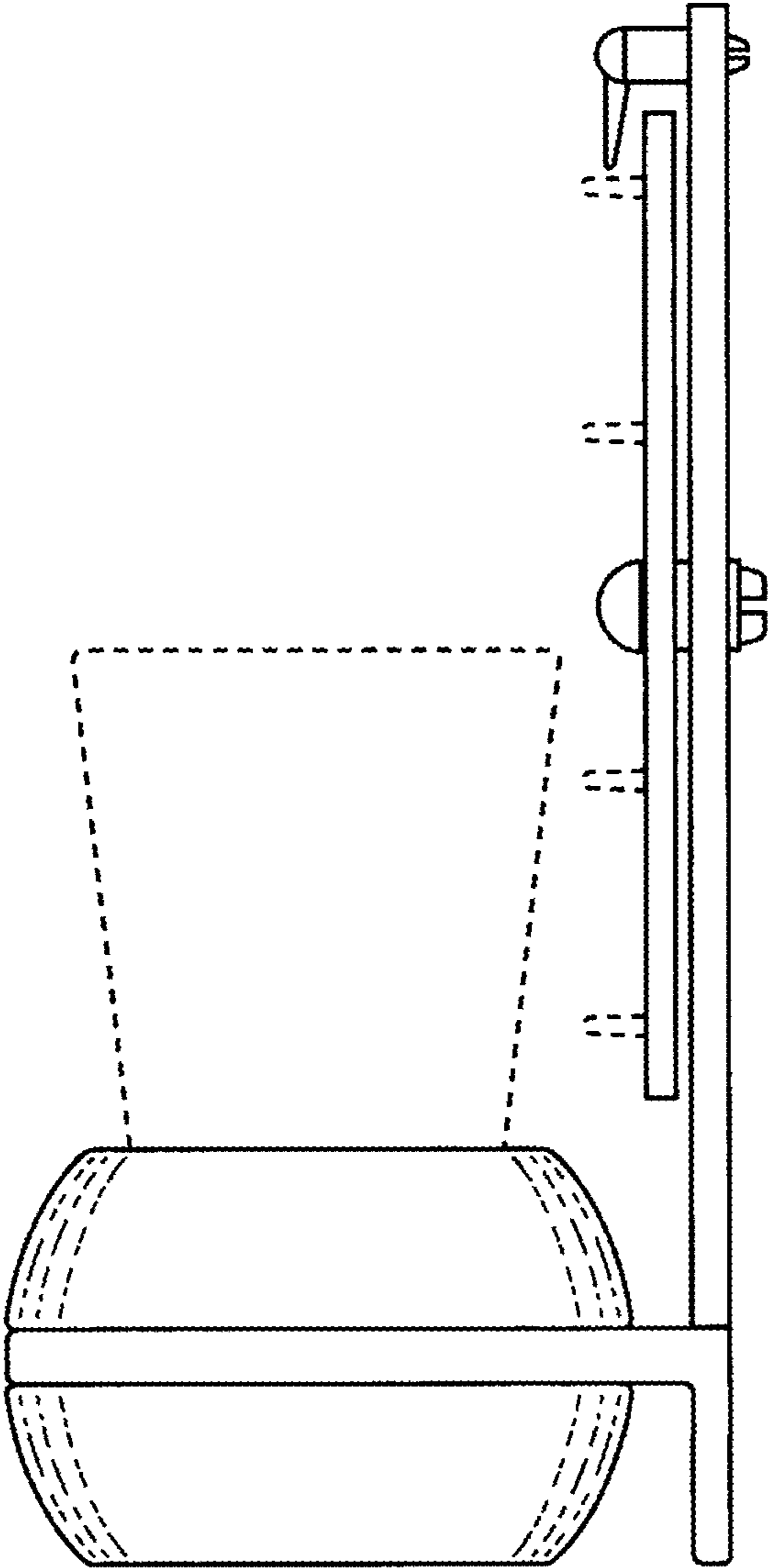


Fig. 6