



US00D761912S

(12) **United States Design Patent**
Zenoff

(10) **Patent No.:** **US D761,912 S**
(45) **Date of Patent:** **** Jul. 19, 2016**

- (54) **COMBINED ELECTRONIC DISPLAY/SCREEN WITH CAMERA**
- (71) Applicant: **Andrew Zenoff**, San Anselmo, CA (US)
- (72) Inventor: **Andrew Zenoff**, San Anselmo, CA (US)
- (73) Assignee: **Beam Authentic, LLC**, San Anselmo, CA (US)

1,196,823 A	9/1916	Suzuki
1,215,311 A	2/1917	Miller
1,222,528 A	4/1917	Cohen
1,378,977 A	5/1921	Parmley
D58,303 S	7/1921	Bartholomew
1,427,891 A	9/1922	Ziegler
D62,863 S	8/1923	Strauss
1,481,975 A	1/1924	Bender
D64,441 S	4/1924	Cavell
1,502,160 A	7/1924	Reinthal

(Continued)

(**) Term: **14 Years**

(21) Appl. No.: **29/500,555**

(22) Filed: **Aug. 26, 2014**

(51) **LOC (10) Cl.** **20-03**

(52) **U.S. Cl.**

USPC **D20/19**; D20/42; D14/374; D16/208

(58) **Field of Classification Search**

USPC D20/10, 19, 39-42, 99; D10/109.1, D10/109.2, 113.4; D6/300, 309; D12/182, D12/183; D14/126, 138 R, 138 AA, 138 C, D14/138 G, 341, 374; D13/180; D16/200, D16/203, 208, 219; D26/1

CPC G09F 3/02; G09F 3/203; G09F 7/00; G09F 7/12; G09F 7/14; G09F 7/16; G09F 2007/122; G09F 9/00; G09F 13/00; G09F 13/18; G09F 13/22; G09F 2013/1895; G09F 15/00; A45D 42/24

See application file for complete search history.

(56) **References Cited**

U.S. PATENT DOCUMENTS

65,871 A	6/1867	Browne
175,399 A	3/1876	Wheldon et al.
176,714 A	4/1876	Vanhon
260,332 A	6/1882	Simonson
740,330 A	9/1903	Luther
761,601 A	5/1904	Oliver
D39,680 S	12/1908	Henby
1,114,400 A	10/1914	Slotoroff
1,190,427 A	7/1916	Kromer, Jr.

FOREIGN PATENT DOCUMENTS

CN	203327079 U	12/2013
WO	WO-2012061438 A2	5/2012
WO	WO-2014054211 A1	4/2014

OTHER PUBLICATIONS

Ex parte Quayle Office action dated Dec. 3, 2015 for U.S. Appl. No. 29/500,562.

(Continued)

Primary Examiner — Mary Ann Calebrese

(74) *Attorney, Agent, or Firm* — Wilson Sonsini Goodrich & Rosati

(57) **CLAIM**

The ornamental design for a device with an combined electronic display/screen with camera, as shown.

DESCRIPTION

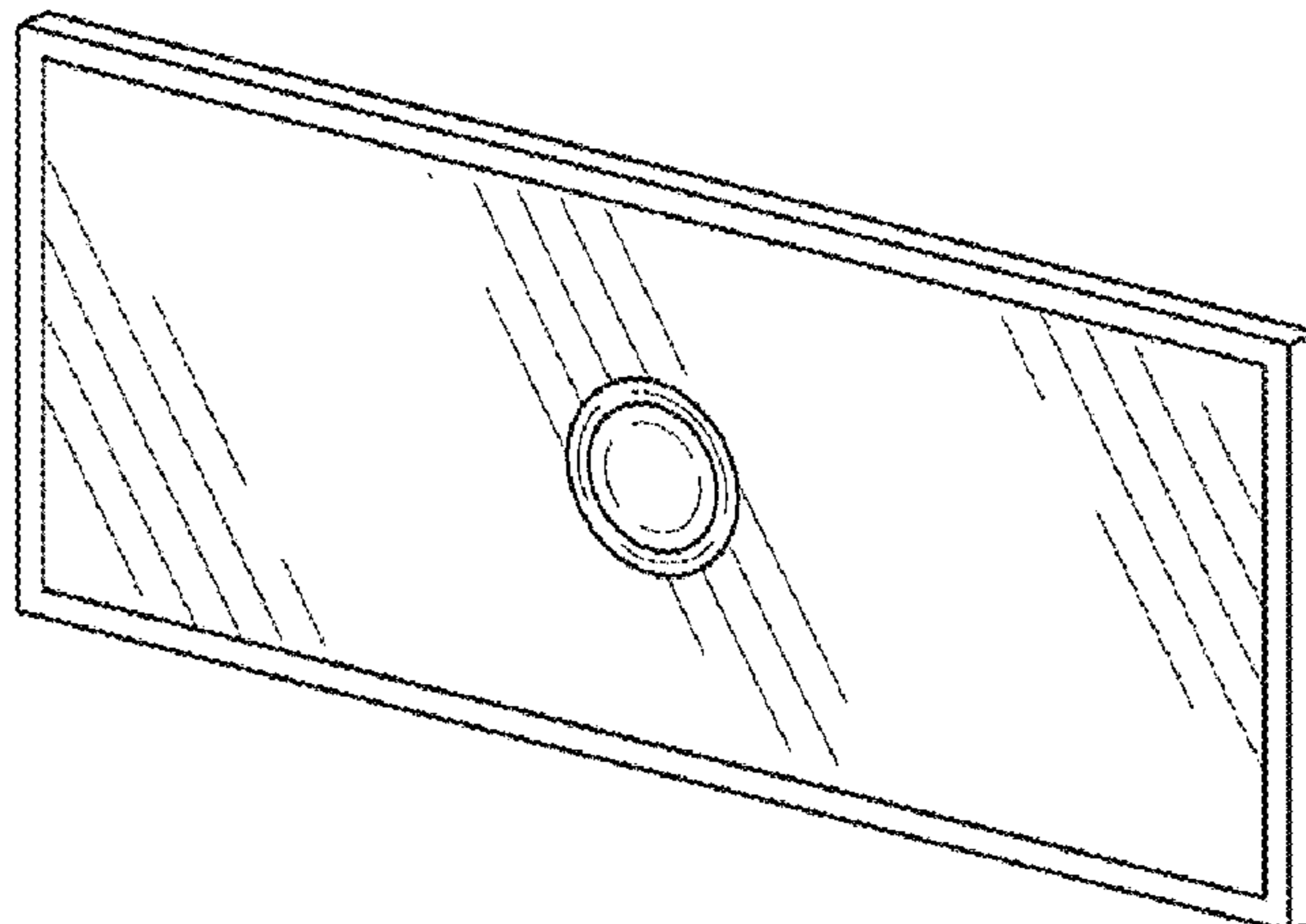
FIG. 1 shows a view of an combined electronic display/screen with camera.

FIG. 2 shows the front view of an combined electronic display/screen with camera.

FIG. 3 shows a side view of an combined electronic display/screen with camera; and,

FIG. 4 shows a top view of an combined electronic display/screen with camera.

1 Claim, 1 Drawing Sheet



(56)

References Cited

U.S. PATENT DOCUMENTS

D66,331 S	12/1924	Pegg		6,154,992 A	12/2000	Lee	
1,560,073 A	11/1925	Bontempi et al.		D436,991 S *	1/2001	Morgante	D19/10
1,566,663 A	12/1925	Finkelstein		D438,374 S	3/2001	Hayman	
1,582,812 A	4/1926	Avin		D441,191 S	5/2001	Vazquez	
1,606,798 A	11/1926	Karger		D444,618 S	7/2001	Wilson	
1,616,475 A	2/1927	Tracey		D447,318 S	9/2001	Gath	
D73,128 S	7/1927	Harris		6,308,445 B1 *	10/2001	Porraro	G09F 7/12 283/81
D79,398 S	9/1929	Wittcoff		D452,767 S	1/2002	Balloni et al.	
1,782,414 A	11/1930	Duer		D453,610 S	2/2002	Lee	
D95,170 S	4/1935	Baumgard		6,370,696 B1	4/2002	Kronenberger	
2,094,104 A	9/1937	Lee et al.		D459,059 S	6/2002	Park	
D115,046 S	5/1939	Marks		6,408,443 B1	6/2002	Park	
2,226,133 A	12/1940	Lee, Jr.		D460,604 S	7/2002	Sullivan, Jr.	
2,252,207 A	8/1941	Rodgers		6,470,499 B1	10/2002	Joiner	
D130,393 S	11/1941	Maxwell et al.		D470,450 S	2/2003	Olzak	
2,387,482 A	10/1945	Vineberg		D472,695 S	4/2003	Lee	
2,440,407 A	4/1948	Kuenstner		D473,039 S	4/2003	Erspamer	
2,445,922 A	7/1948	Ostolaza et al.		6,588,021 B2	7/2003	Kronenberger	
2,682,667 A	7/1954	Michelstetter		D478,710 S	8/2003	Yan	
2,776,435 A	1/1957	Trimpert		D482,185 S	11/2003	Park	
2,839,860 A	6/1958	Fry		6,643,847 B1	11/2003	Dornak	
D193,829 S *	10/1962	Van Den Berg	D20/42	D483,173 S	12/2003	Harris et al.	
3,346,153 A	10/1967	Galasso		D483,928 S	12/2003	Mansell et al.	
3,556,115 A	1/1971	Benson		D487,329 S	3/2004	Prinz	
D221,719 S *	8/1971	Hoskins	D20/42	6,751,805 B1	6/2004	Austion	
3,895,797 A	7/1975	Moore		D494,745 S	8/2004	Kronenberger	
D251,336 S	3/1979	Getgey		D496,146 S	9/2004	Appleberry	
D263,092 S	2/1982	Fay		D496,775 S	10/2004	Tanner	
4,535,478 A	8/1985	Zuefle		6,810,533 B1	11/2004	Nahabedian et al.	
4,611,355 A	9/1986	Galanto et al.		6,820,281 B2	11/2004	Mariland et al.	
4,636,047 A	1/1987	Green		D502,589 S	3/2005	Lee	
D292,044 S *	9/1987	Billiet	D6/300	D509,947 S	9/2005	Fortune	
4,710,981 A	12/1987	Sanchez		6,948,189 B2	9/2005	Early	
4,827,384 A	5/1989	Von Schlemmer		D517,283 S	3/2006	Shin et al.	
4,834,688 A	5/1989	Jones		D522,559 S *	6/2006	Naito	D14/486
4,873,726 A	10/1989	Tapia		D523,612 S	6/2006	Steger	
4,924,613 A	5/1990	Levin		D539,012 S	3/2007	Evans	
5,054,127 A	10/1991	Zevchak		D543,014 S	5/2007	Sharpe et al.	
5,070,545 A	12/1991	Tapia		D543,338 S	5/2007	Park	
5,102,129 A	4/1992	Roberts		7,219,374 B2	5/2007	Cho	
5,167,559 A	12/1992	Power-Fardy		D558,431 S	1/2008	Pritchett	
D333,030 S	2/1993	Wilkes		D558,955 S	1/2008	Taylor	
5,253,368 A	10/1993	Blake		7,331,064 B1	2/2008	Quintal	
D350,221 S	9/1994	Van Doren		7,424,751 B1	9/2008	Miller	
5,359,733 A	11/1994	Brannon et al.		D577,879 S	10/2008	Jones	
5,437,062 A	8/1995	Douglas		7,490,364 B2	2/2009	Kim	
5,452,479 A	9/1995	Mostert		D600,879 S	9/2009	Accardi	
5,454,120 A	10/1995	Rowlands		D603,144 S	11/2009	South	
5,462,471 A	10/1995	Power-Fardy		D603,585 S	11/2009	Capriola	
5,465,426 A	11/1995	Beaton		7,621,000 B1	11/2009	Fulton	
5,476,194 A	12/1995	Hippely et al.		D607,627 S	1/2010	Kowalczyk	
5,477,629 A	12/1995	Gleason, Jr.		D608,531 S	1/2010	Kronenberger	
D367,158 S	2/1996	Baker		D617,636 S	6/2010	Vanhoutte	
5,548,847 A	8/1996	Spicijaric		D619,336 S	7/2010	Eyl	
5,621,914 A	4/1997	Ramone et al.		D619,789 S	7/2010	Barany	
5,632,044 A	5/1997	Sloot		D621,590 S	8/2010	Martin	
D383,892 S	9/1997	Virzi		D624,286 S	9/2010	Hall	
D391,741 S	3/1998	Baker		D625,082 S	10/2010	Jones	
D396,546 S	8/1998	Marrs		D629,183 S	12/2010	Adams et al.	
D397,239 S	8/1998	Marrs		D630,822 S	1/2011	Thomas	
5,794,267 A	8/1998	Wallace		D635,336 S	4/2011	Alger	
5,823,328 A	10/1998	Fomby		D635,743 S	4/2011	Johnson	
D401,086 S	11/1998	Hellwig		D635,976 S	4/2011	Lee et al.	
D401,738 S	12/1998	Scerbo		D636,562 S	4/2011	Lam et al.	
D403,491 S	1/1999	Wyatt et al.		7,974,432 B1	7/2011	Ryan	
D405,239 S	2/1999	Kostinko		7,992,224 B2	8/2011	Tai	
D406,687 S	3/1999	Thorpe		D647,286 S	10/2011	Malek	
D407,190 S	3/1999	Day		D649,040 S	11/2011	Sanders	
5,943,698 A	8/1999	Blanks		D649,744 S	12/2011	Weinshanker	
5,960,476 A	10/1999	Danzy		D654,251 S	2/2012	Alkas-Shamoun	
D417,063 S	11/1999	Henning		D655,601 S	3/2012	Daley et al.	
D418,279 S	1/2000	Day		D657,424 S *	4/2012	Podd	D20/42
6,012,172 A	1/2000	Steffy		D658,603 S *	5/2012	Egawa	D13/180
D424,282 S	5/2000	Crumpton et al.		D659,351 S	5/2012	Benkendorfer	
D427,751 S	7/2000	Richlin		D660,554 S	5/2012	Blackshear	
				D661,061 S	6/2012	Eveleth	
				D661,063 S	6/2012	Eveleth	
				D661,446 S	6/2012	Davis	

(56)

References Cited

U.S. PATENT DOCUMENTS

D670,068 S 11/2012 Bomze
 D670,892 S 11/2012 Epstein
 D671,716 S 12/2012 Lam et al.
 8,364,220 B2 1/2013 Sandmore
 D681,867 S 5/2013 Wegger et al.
 8,453,265 B2 6/2013 Forte et al.
 8,458,820 B2 6/2013 Cleva
 D693,099 S 11/2013 Purdy
 8,626,586 B1 1/2014 Biere et al.
 D699,928 S 2/2014 Tien
 D701,504 S 3/2014 Christopher et al.
 8,677,515 B2 3/2014 Ishihara et al.
 D702,928 S 4/2014 White
 D703,069 S 4/2014 Adams et al.
 D704,925 S 5/2014 Cho
 D705,527 S 5/2014 Clark
 D708,427 S 7/2014 Cho
 D709,675 S 7/2014 Cho
 D710,220 S 8/2014 Daniel
 D711,002 S 8/2014 Ohnemus et al.
 D712,635 S 9/2014 Rivas
 D713,622 S 9/2014 Steel
 D714,031 S 9/2014 Javits, Jr.
 D716,078 S 10/2014 Theisen et al.
 8,869,312 B2 10/2014 Tuohy et al.
 D716,528 S 11/2014 Badish
 D717,019 S 11/2014 van Dalen
 D718,731 S * 12/2014 Lee D14/126
 8,898,820 B2 12/2014 Sokolowski et al.
 D721,874 S 2/2015 Robbins et al.
 8,950,012 B2 2/2015 Ilges et al.
 D727,150 S 4/2015 Leitch et al.
 D729,650 S 5/2015 Phillips et al.
 D733,130 S 6/2015 Kim et al.
 D734,329 S 7/2015 Lee
 D736,768 S 8/2015 Kuwabara et al.
 D738,071 S 9/2015 Kamhi et al.
 D739,403 S * 9/2015 David D14/341
 9,161,584 B1 10/2015 Garrett, Jr.
 D743,149 S 11/2015 Brandelli
 D746,283 S * 12/2015 Cha D14/341
 D748,091 S * 1/2016 Akana D14/341
 D748,379 S 2/2016 Fitzpatrick et al.
 D751,794 S 3/2016 Zenoff
 D751,795 S 3/2016 Zenoff
 D751,796 S 3/2016 Gewirz et al.
 D754,422 S 4/2016 Zenoff
 2001/0034894 A1 11/2001 Godfrey et al.
 2003/0073412 A1 4/2003 Meade et al.
 2003/0221234 A1 12/2003 Wang
 2004/0221368 A1 11/2004 Okot
 2005/0132470 A1 6/2005 Wong
 2006/0112707 A1 6/2006 Tu
 2006/0117458 A1 6/2006 Ishihara et al.
 2006/0206985 A1 9/2006 Proctor
 2006/0209218 A1 9/2006 Lee et al.
 2006/0249404 A1 11/2006 Adams
 2007/0056078 A1 3/2007 Tseng
 2007/0143906 A1 6/2007 Renteria
 2007/0182664 A1 8/2007 Himmele
 2007/0247312 A1 10/2007 Sekine
 2007/0256213 A1 11/2007 Dunavin
 2008/0000013 A1 1/2008 Talley
 2009/0251888 A1 10/2009 Douglas
 2009/0306485 A1 12/2009 Bell
 2009/0310290 A1 12/2009 Tennent
 2010/0058514 A1 3/2010 Koh
 2010/0095573 A1 4/2010 Lifshitz
 2010/0100004 A1 4/2010 van Someren
 2010/0131613 A1 5/2010 Jonsson et al.
 2010/0299979 A1 12/2010 Lamere
 2010/0306808 A1 12/2010 Neumeier et al.
 2010/0313334 A1 * 12/2010 Moy A42B 1/248
 2/209.13
 2011/0041238 A1 2/2011 Brzoska

2011/0088715 A1 4/2011 Lee et al.
 2011/0094016 A1 4/2011 Paulson
 2011/0187681 A1 8/2011 Kim et al.
 2011/0246908 A1 10/2011 Akram et al.
 2011/0295749 A1 12/2011 Scalisi
 2012/0005809 A1 1/2012 Johnson
 2012/0089437 A1 4/2012 Amento et al.
 2012/0163269 A1 6/2012 Shuster et al.
 2012/0198600 A1 8/2012 Niazi
 2012/0256902 A1 10/2012 Tam et al.
 2012/0264492 A1 10/2012 Stewart
 2012/0324076 A1 12/2012 Zerr et al.
 2013/0188322 A1 7/2013 Lowe et al.
 2013/0222270 A1 8/2013 Winkler et al.
 2013/0333095 A1 12/2013 Dudick
 2014/0053316 A1 2/2014 Su
 2014/0098009 A1 4/2014 Prest et al.
 2014/0111323 A1 4/2014 Strout et al.
 2014/0121539 A1 5/2014 Chatterjee et al.
 2014/0160055 A1 6/2014 Margolis et al.
 2014/0173807 A1 6/2014 Waters
 2014/0176417 A1 6/2014 Young et al.
 2015/0033445 A1 2/2015 Warner et al.
 2015/0096104 A1 4/2015 Kim
 2015/0146903 A1 5/2015 Mariasov
 2015/0164166 A1 6/2015 Tsai
 2015/0250245 A1 9/2015 Waters
 2015/0312975 A1 10/2015 Tischler et al.
 2016/0019821 A1 1/2016 Haddad

OTHER PUBLICATIONS

Notice of allowance dated Nov. 6, 2015 for U.S. Appl. No. 29/500,393.
 Notice of allowance dated Nov. 6, 2015 for U.S. Appl. No. 29/500,399.
 Notice of allowance dated Nov. 24, 2015 for U.S. Appl. No. 29/499,866.
 Office action dated Oct. 7, 2015 for U.S. Appl. No. 29/500,564.
 Office action dated Oct. 8, 2015 for U.S. Appl. No. 29/500,405.
 Office action dated Oct. 28, 2015 for U.S. Appl. No. 29/500,514.
 Office action dated Nov. 5, 2015 for U.S. Appl. No. 29/500,407.
 Office action dated Nov. 9, 2015 for U.S. Appl. No. 29/500,408.
 Office action dated Nov. 12, 2015 for U.S. Appl. No. 29/499,864.
 Office action dated Nov. 16, 2015 for U.S. Appl. No. 29/499,867.
 Office action dated Nov. 19, 2015 for U.S. Appl. No. 29/499,861.
 Office action dated Nov. 23, 2015 for U.S. Appl. No. 29/500,557.
 Office action dated Nov. 24, 2015 for U.S. Appl. No. 29/500,139.
 U.S. Appl. No. 29/499,861, filed Aug. 19, 2014, Zenoff.
 U.S. Appl. No. 29/499,864, filed Aug. 19, 2014, Zenoff.
 U.S. Appl. No. 29/499,867, filed Aug. 19, 2014, Zenoff.
 U.S. Appl. No. 29/499,866, filed Aug. 19, 2014, Zenoff.
 U.S. Appl. No. 29/500,139, filed Aug. 21, 2014, Zenoff.
 U.S. Appl. No. 29/500,381, filed Aug. 25, 2014, Zenoff.
 U.S. Appl. No. 29/500,384, filed Aug. 25, 2014, Zenoff.
 U.S. Appl. No. 29/500,387, filed Aug. 25, 2014, Zenoff.
 U.S. Appl. No. 29/500,391, filed Aug. 25, 2014, Zenoff.
 U.S. Appl. No. 29/500,393, filed Aug. 25, 2014, Zenoff.
 U.S. Appl. No. 29/500,399, filed Aug. 25, 2014, Zenoff.
 U.S. Appl. No. 29/500,405, filed Aug. 25, 2014, Zenoff.
 U.S. Appl. No. 29/500,407, filed Aug. 25, 2014, Zenoff.
 U.S. Appl. No. 29/500,408, filed Aug. 25, 2014, Zenoff.
 U.S. Appl. No. 29/500,504, filed Aug. 26, 2014, Zenoff.
 U.S. Appl. No. 29/500,506, filed Aug. 26, 2014, Zenoff.
 U.S. Appl. No. 29/500,509, filed Aug. 26, 2014, Zenoff.
 U.S. Appl. No. 29/500,512, filed Aug. 26, 2014, Zenoff.
 U.S. Appl. No. 29/500,514, filed Aug. 26, 2014, Zenoff.
 U.S. Appl. No. 29/500,546, filed Aug. 26, 2014, Zenoff.
 U.S. Appl. No. 29/500,551, filed Aug. 26, 2014, Zenoff.
 U.S. Appl. No. 29/500,553, filed Aug. 26, 2014, Zenoff.
 U.S. Appl. No. 29/500,557, filed Aug. 26, 2014, Zenoff.
 U.S. Appl. No. 29/500,558, filed Aug. 26, 2014, Zenoff.
 U.S. Appl. No. 29/500,562, filed Aug. 26, 2014, Zenoff.
 U.S. Appl. No. 29/500,564, filed Aug. 26, 2014, Zenoff.

(56)

References Cited

OTHER PUBLICATIONS

Alibaba.com. Mobile billboard advertising led truck new technology product in china mobile truck led tv screen. Available at http://www.alibaba.com/product-detail/mobile-billboard-advertising-led-truck-new_60181386676.html. Accessed on Jul. 24, 2015.

Webbozz.com. Stylish Circular Display Smart Watch-Motorola Moto 360. Feb. 2013. Available at <http://www.webbozz.com/stylish-circular-display-smart-watch-motorola-moto-360>. Accessed on Jul. 23, 2015.

Notice of allowance dated Apr. 25, 2016 for U.S. Appl. No. 29/500,384 of inventor Andrew Zenoff.

Notice of allowance dated Apr. 27, 2016 for U.S. Appl. No. 29/500,387 of inventor Andrew Zenoff.

Notice of allowance dated Apr. 27, 2016 for U.S. Appl. No. 29/500,391 of inventor Andrew Zenoff.

Notice of allowance dated Apr. 27, 2016 for U.S. Appl. No. 29/500,509 of inventor Andrew Zenoff.

Notice of allowance dated Apr. 25, 2016 for U.S. Appl. No. 29/500,381 of inventor Andrew Zenoff.

Office action dated Feb. 19, 2016 for U.S. Appl. No. 29/500,512 of inventor Andrew Zenoff.

Office action dated Feb. 22, 2016 for U.S. Appl. No. 29/500,558 of inventor Andrew Zenoff.

Office action dated Mar. 14, 2016 for U.S. Appl. No. 29/500,546 of inventor Andrew Zenoff.

Office action dated Apr. 20, 2016 for U.S. Appl. No. 29/500,564 of inventor Andrew Zenoff.

* cited by examiner

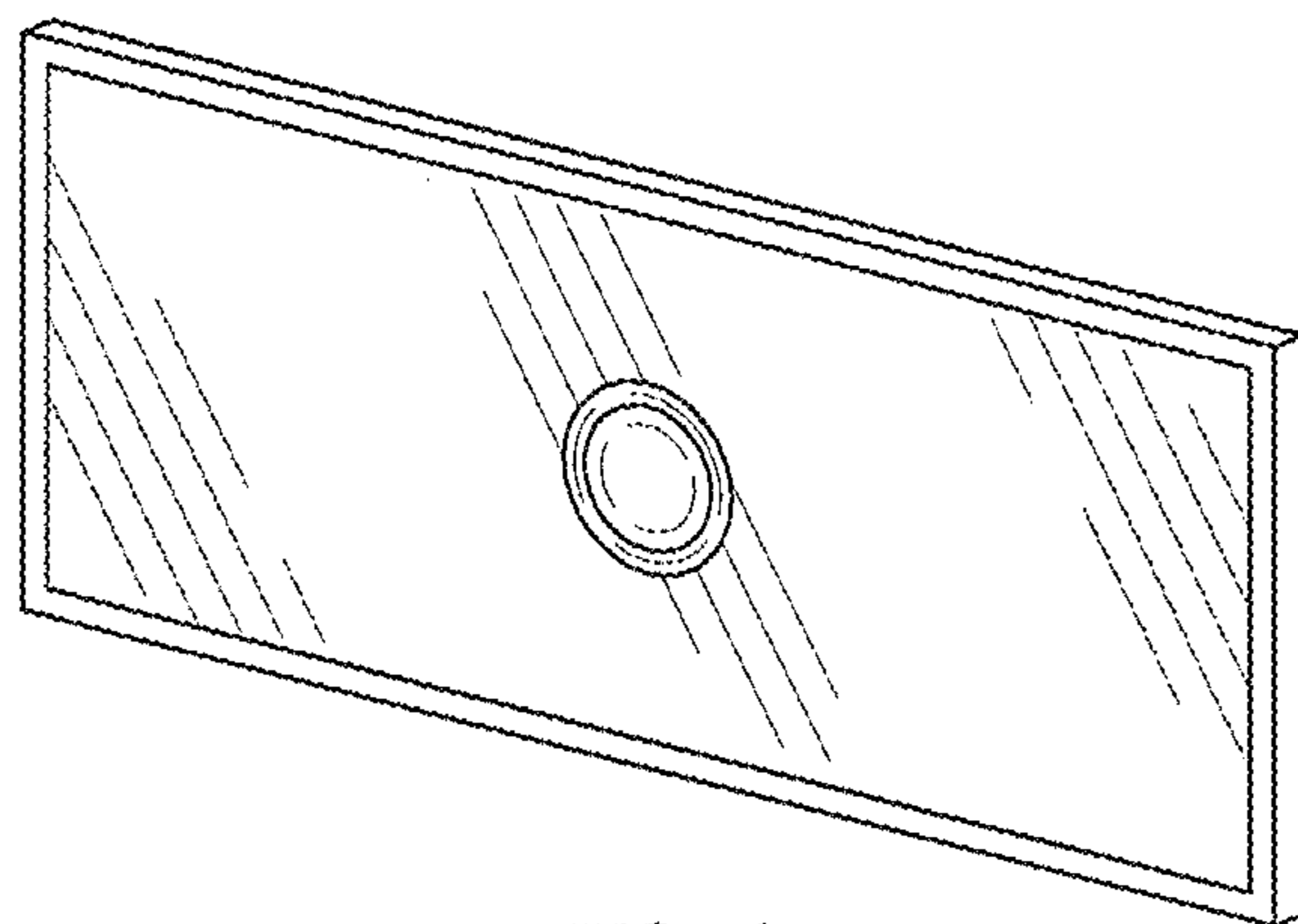


FIG. 1

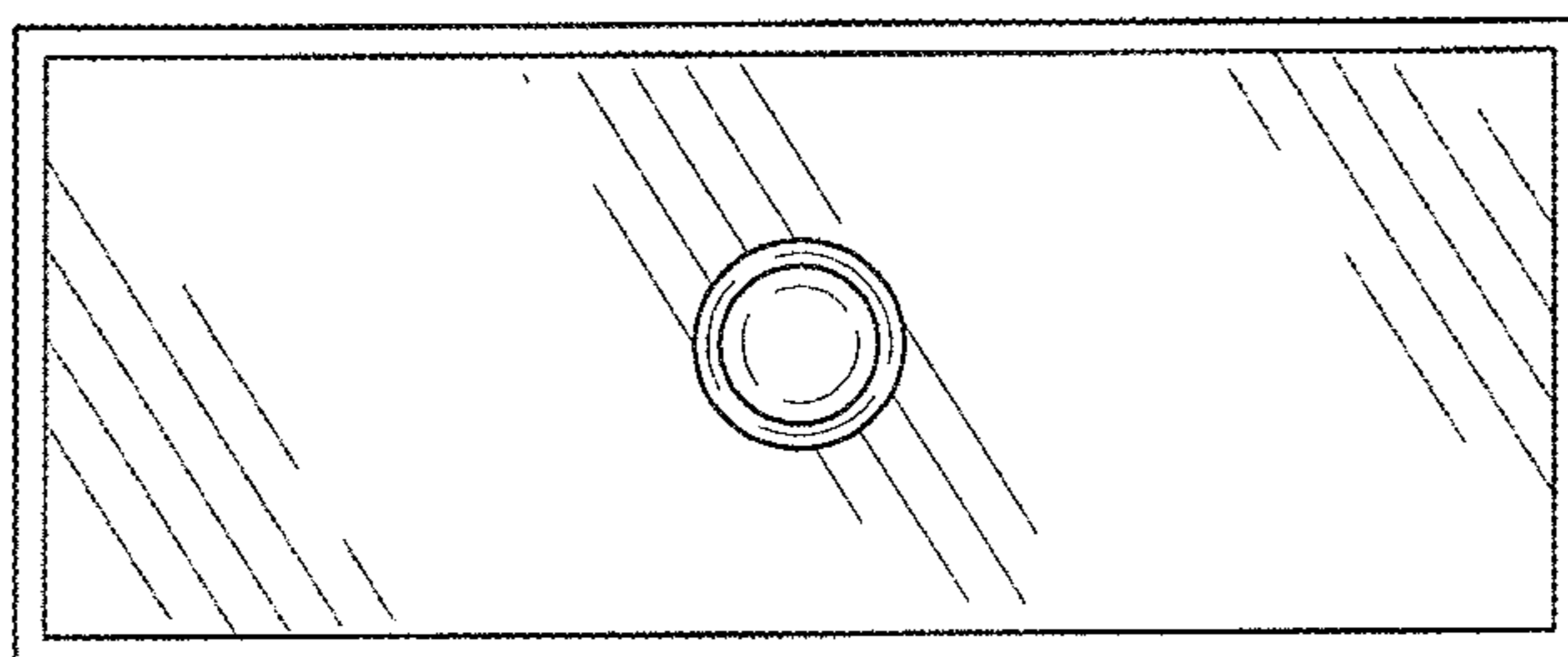


FIG. 2



FIG. 3



FIG. 4