



US00D761911S

(12) **United States Design Patent**
Larson

(10) **Patent No.:** **US D761,911 S**
(45) **Date of Patent:** **** Jul. 19, 2016**

(54) **PANTOGRAPH**
(71) Applicant: **Nomis LLC**, Palatine, IL (US)
(72) Inventor: **David Aaron Larson**, St. Charles, IL (US)
(73) Assignee: **Nomis LLC**, Palatine, IL (US)
(**) Term: **14 Years**
(21) Appl. No.: **29/506,963**
(22) Filed: **Oct. 22, 2014**
(51) **LOC (10) Cl.** **19-06**
(52) **U.S. Cl.**
USPC **D19/108**
(58) **Field of Classification Search**
USPC D8/71; D10/63, 64; D15/138, 140, 141;
D19/108
CPC B43L 13/10; B43L 13/12; B43L 13/147;
B43L 13/148
See application file for complete search history.

D239,131 S * 3/1976 Adler D10/74
D252,448 S * 7/1979 Kupperman D10/61
4,448,120 A * 5/1984 Richardson B43L 13/10
101/32
4,573,452 A * 3/1986 Greenberg A61B 19/26
600/102
4,910,872 A * 3/1990 Wang B43L 13/10
33/23.03
5,165,175 A * 11/1992 Anderson B23Q 35/20
33/23.05
6,916,141 B2 * 7/2005 Owen B23Q 1/626
144/135.4

* cited by examiner

Primary Examiner — Elizabeth Albert

(74) *Attorney, Agent, or Firm* — Reinhart Boerner Van Deuren P.C.

(57) **CLAIM**

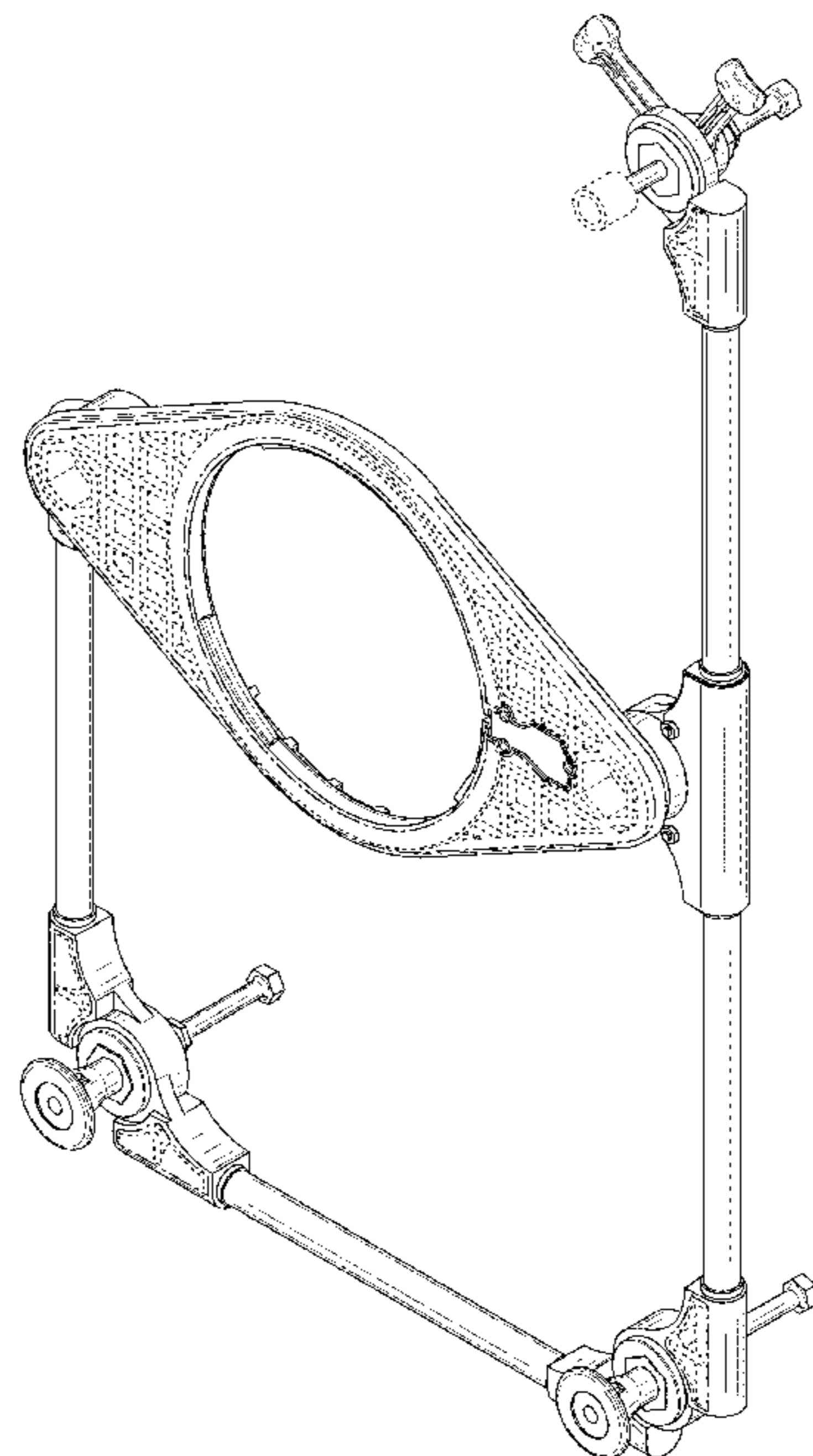
I claim the ornamental design for the pantograph, as shown and described.

DESCRIPTION

FIG. 1 is a bottom perspective view of the pantograph;
FIG. 2 is a top view thereof;
FIG. 3 is a bottom view thereof;
FIG. 4 is a side view thereof;
FIG. 5 is a side view thereof showing the side opposite that shown in FIG. 4;
FIG. 6 is a rear view thereof;
FIG. 7 is a front view thereof;
The short, evenly spaced broken lines are included to show features that form no part of the claimed design.
The long and short broken lines that define the bounds of the claimed design form no part thereof.

(56) **References Cited**
U.S. PATENT DOCUMENTS
1,325,802 A * 12/1919 Randall B43L 13/10
33/23.01
1,662,830 A * 3/1928 Lund G03F 9/00
33/24.3
2,048,197 A * 7/1936 Pickering B43L 13/10
33/25.3
2,200,799 A * 5/1940 Miller B23Q 37/002
144/1.1
3,160,956 A * 12/1964 Mercorelli B43L 13/10
324/72.5
3,175,295 A * 3/1965 Selley B43L 13/147
33/18.3

1 Claim, 6 Drawing Sheets



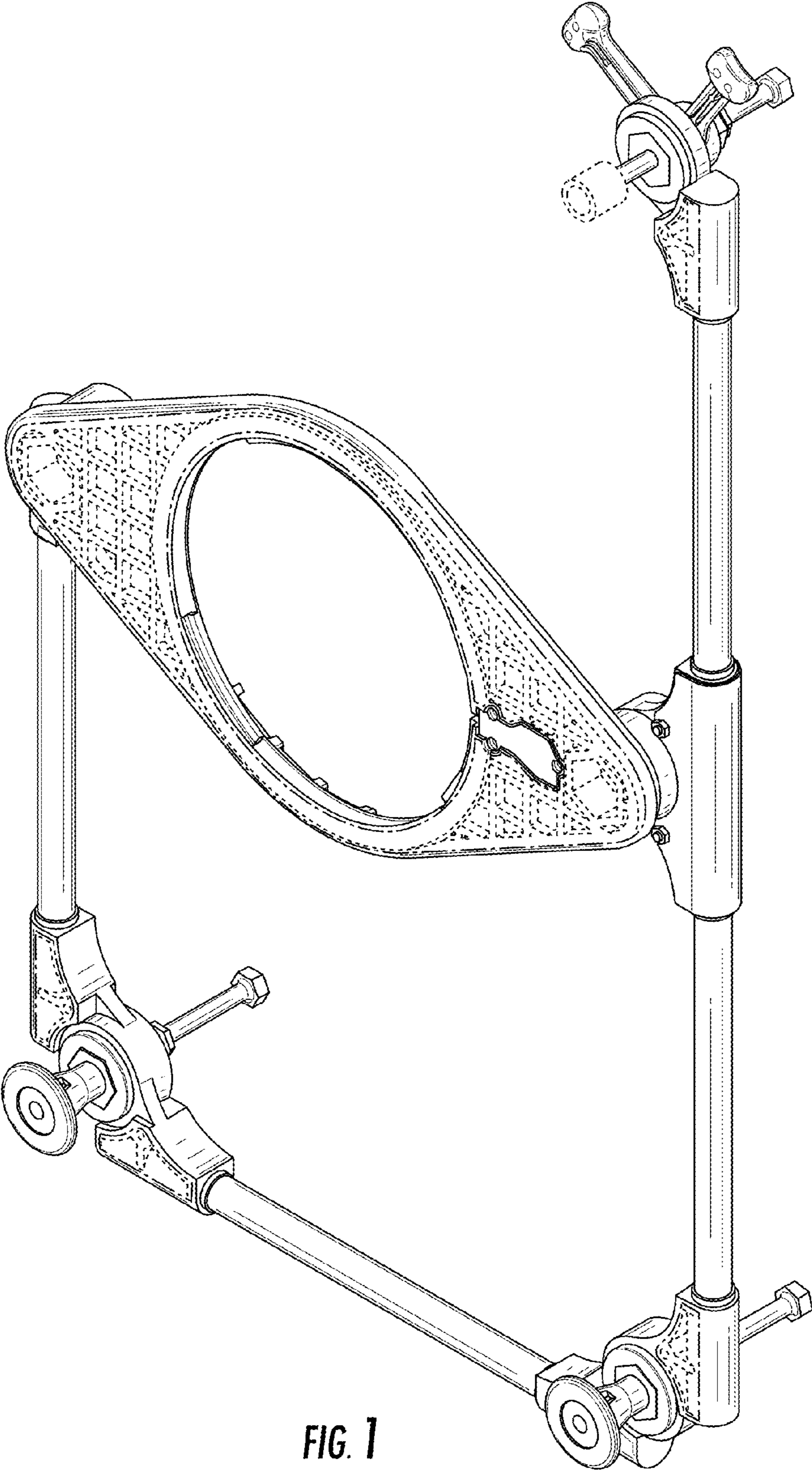


FIG. 1

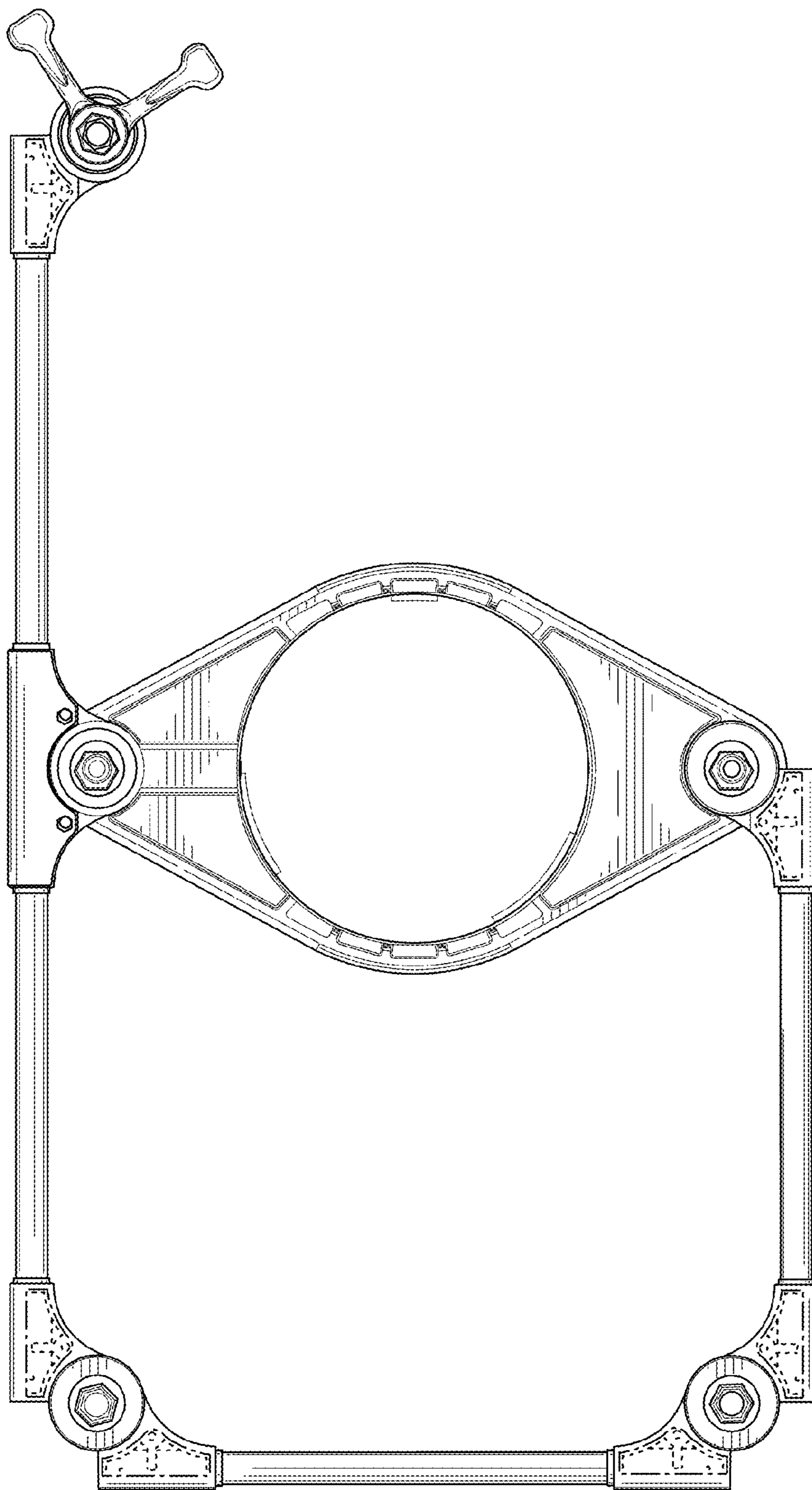


FIG. 2

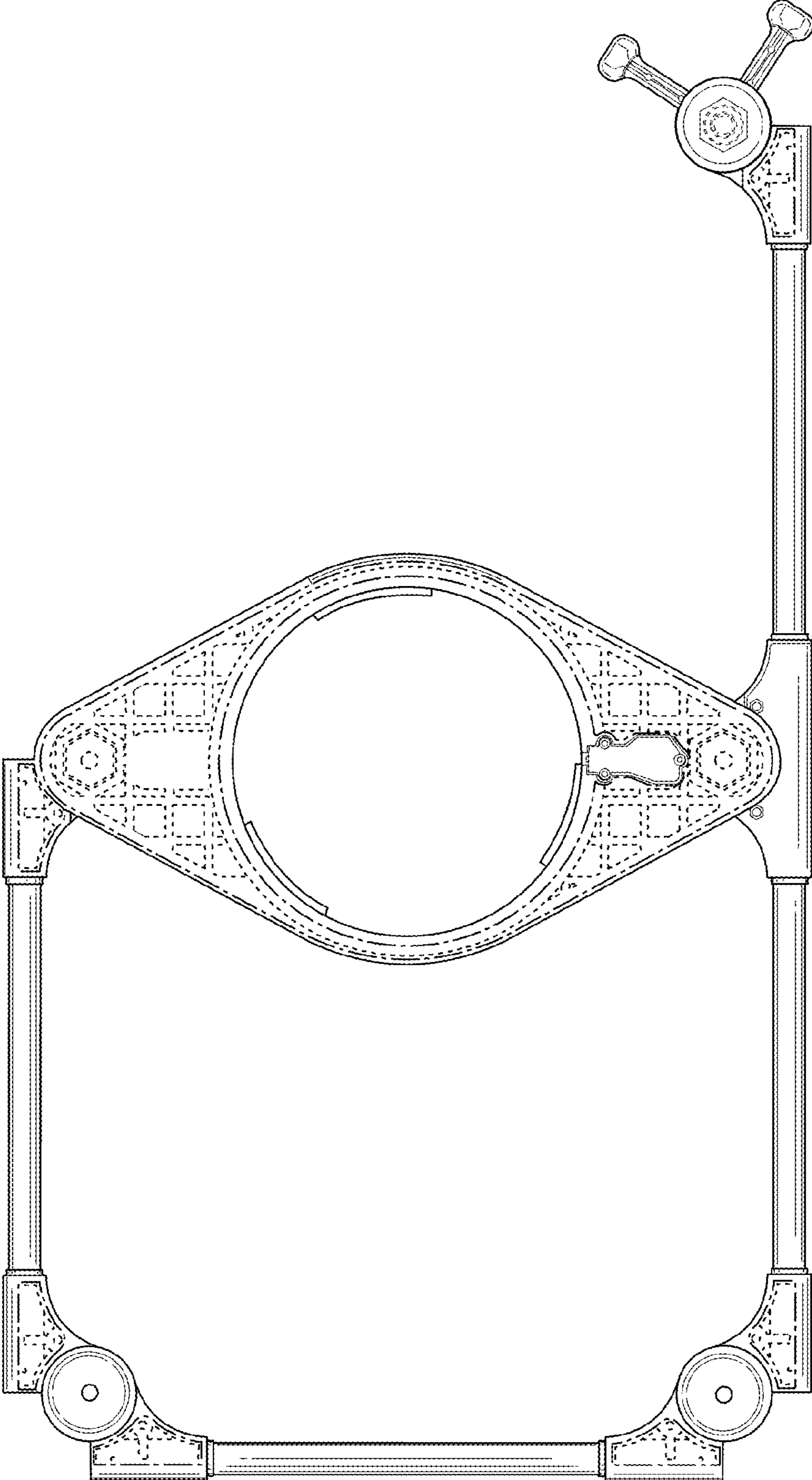


FIG. 3

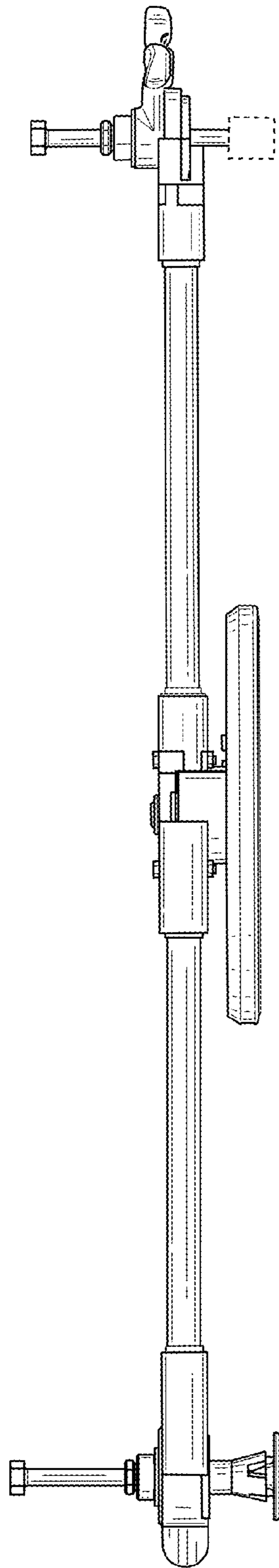


FIG. 4

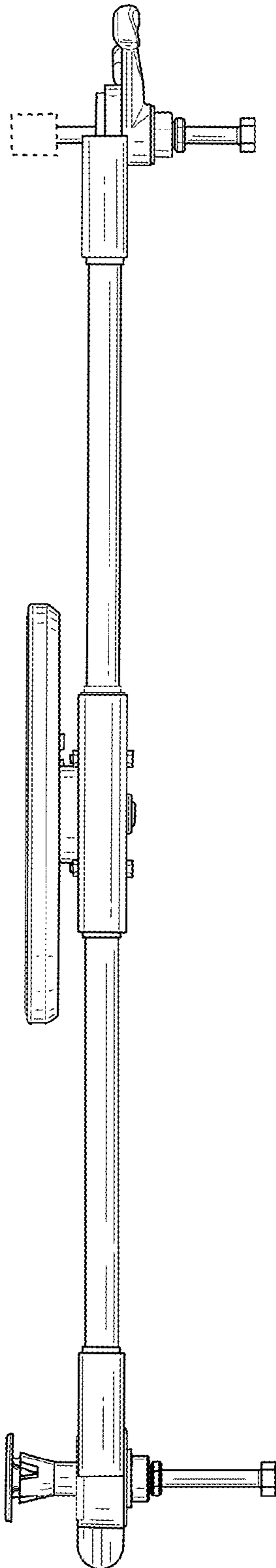


FIG. 5

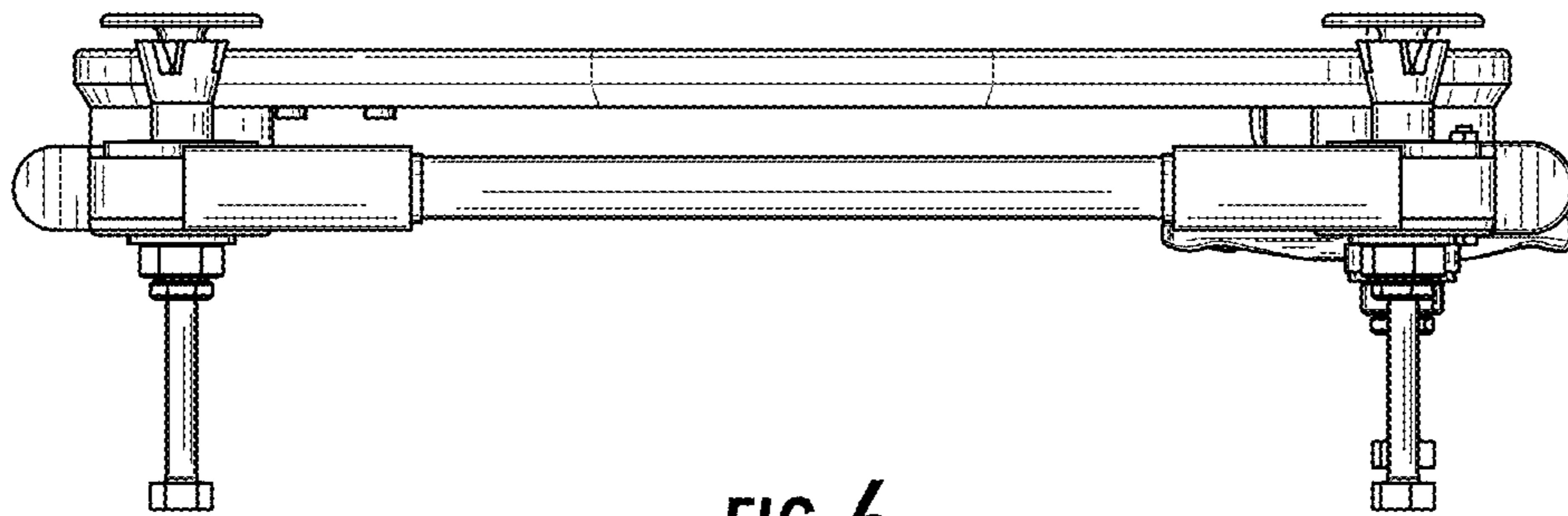


FIG. 6

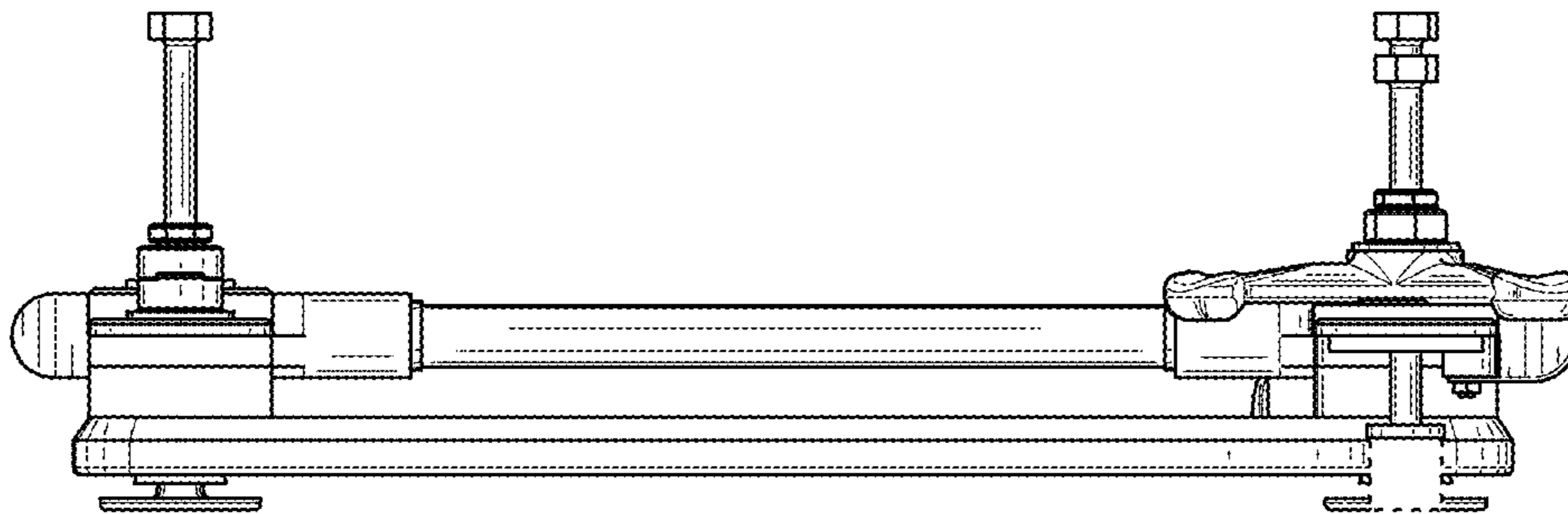


FIG. 7