



US00D761908S

(12) **United States Design Patent**
Takagiwa

(10) **Patent No.:** **US D761,908 S**
(45) **Date of Patent:** **** Jul. 19, 2016**

(54) **INK CARTRIDGE**

(71) Applicant: **BROTHER INDUSTRIES, LTD.**,
Nagoya-shi, Aichi-ken (JP)

(72) Inventor: **Yutaka Takagiwa**, Kariya (JP)

(73) Assignee: **BROTHER INDUSTRIES, LTD.**,
Nagoya (JP)

(**) Term: **14 Years**

(21) Appl. No.: **29/509,235**

(22) Filed: **Nov. 14, 2014**

(30) **Foreign Application Priority Data**

May 14, 2014 (JP) 2014-10295

(51) **LOC (10) Cl.** **18-02**

(52) **U.S. Cl.**
USPC **D18/56**

(58) **Field of Classification Search**

USPC D18/12, 18, 34.9, 40, 43, 50, 56, 59,
D18/99; D14/471, 483

CPC B41J 2/17; B41J 2/1721; B41J 2/175;
B41J 2/17503; B41J 2/17513; B41J 2/1752;
B41J 2/17523; B41J 2/17553; B41J 2/17556;
B41J 2/185; B41J 29/377

See application file for complete search history.

(56) **References Cited**

U.S. PATENT DOCUMENTS

D423,043 S * 4/2000 Ishigami 347/86
D490,846 S * 6/2004 Suzuki D18/56
6,866,374 B2 * 3/2005 Taku B41J 2/16523
347/31
D581,975 S * 12/2008 Park D18/43
D586,849 S * 2/2009 Nozawa 347/86
D591,791 S * 5/2009 Matsumoto 347/86

D592,241 S * 5/2009 Nozawa 347/86
D655,332 S * 3/2012 Fujii D18/43
8,646,890 B1 * 2/2014 Lu B41J 2/17513
347/86
D715,768 S * 10/2014 Ryu D14/211
2002/0126187 A1 * 9/2002 Ison B41J 2/17563
347/93
2012/0327146 A1 * 12/2012 Mizuno B41J 2/17513
347/7
2015/0273841 A1 * 10/2015 Takagiwa B41J 2/17513
347/86

* cited by examiner

Primary Examiner — Thomas Johannes

Assistant Examiner — Shawn T Gingrich

(74) *Attorney, Agent, or Firm* — Oliff PLC

(57) **CLAIM**

The ornamental design for an ink cartridge, as shown and described.

DESCRIPTION

FIG. 1 is a top, front, right-side perspective view of an ink cartridge;

FIG. 2 is a top view thereof;

FIG. 3 is a front view thereof;

FIG. 4 is a right-side view thereof;

FIG. 5 is a left-side view thereof;

FIG. 6 is a rear view thereof;

FIG. 7 is a bottom view thereof;

FIG. 8 is a cross-sectional view taken along line 8-8 in FIG. 4;

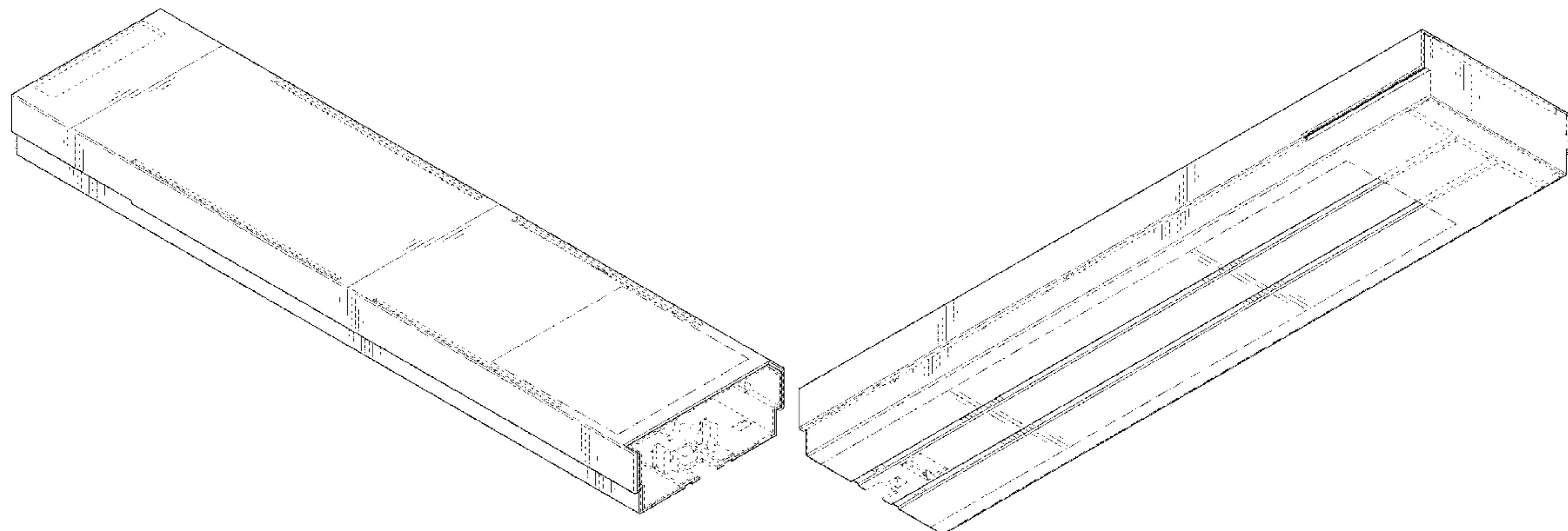
FIG. 9 is a cross-sectional view taken along line 9-9 in FIG. 3;

and,

FIG. 10 is a bottom, rear, left-side perspective view thereof.

The broken lines depict unclaimed portions only and form no part of the claimed design. The dot-dash lines depict a boundary between claimed and unclaimed subject matter, and form no part of the claimed design.

1 Claim, 6 Drawing Sheets



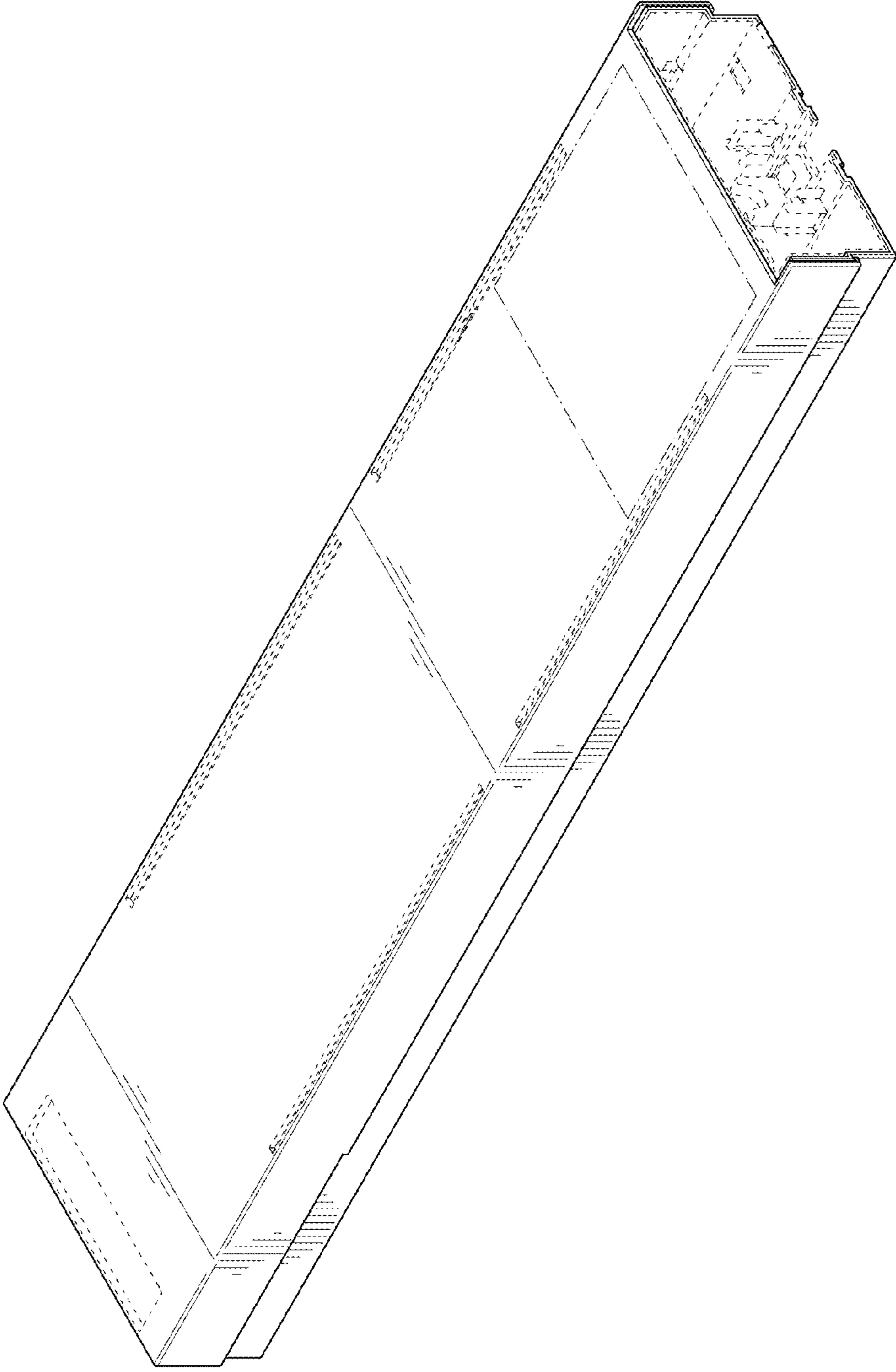


FIG. 1

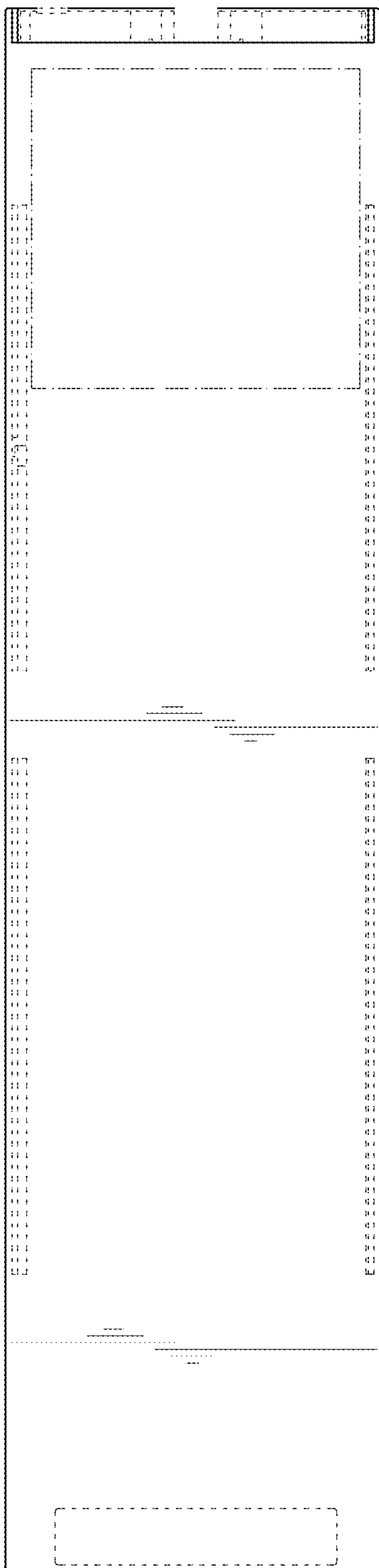


FIG. 2

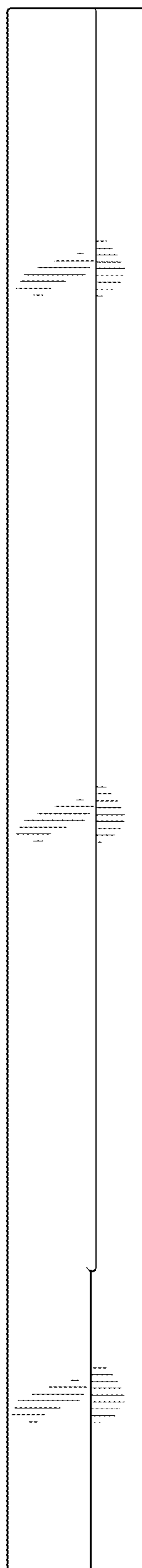
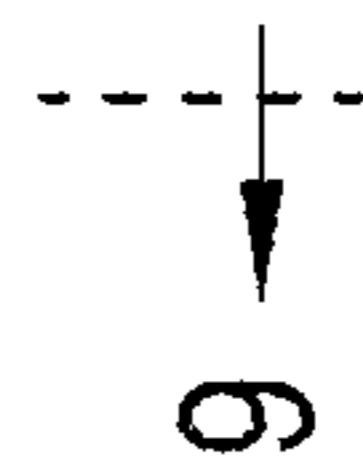
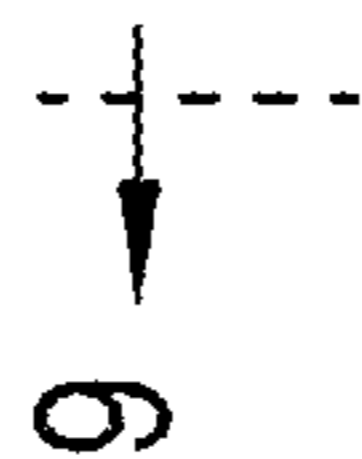


FIG. 3



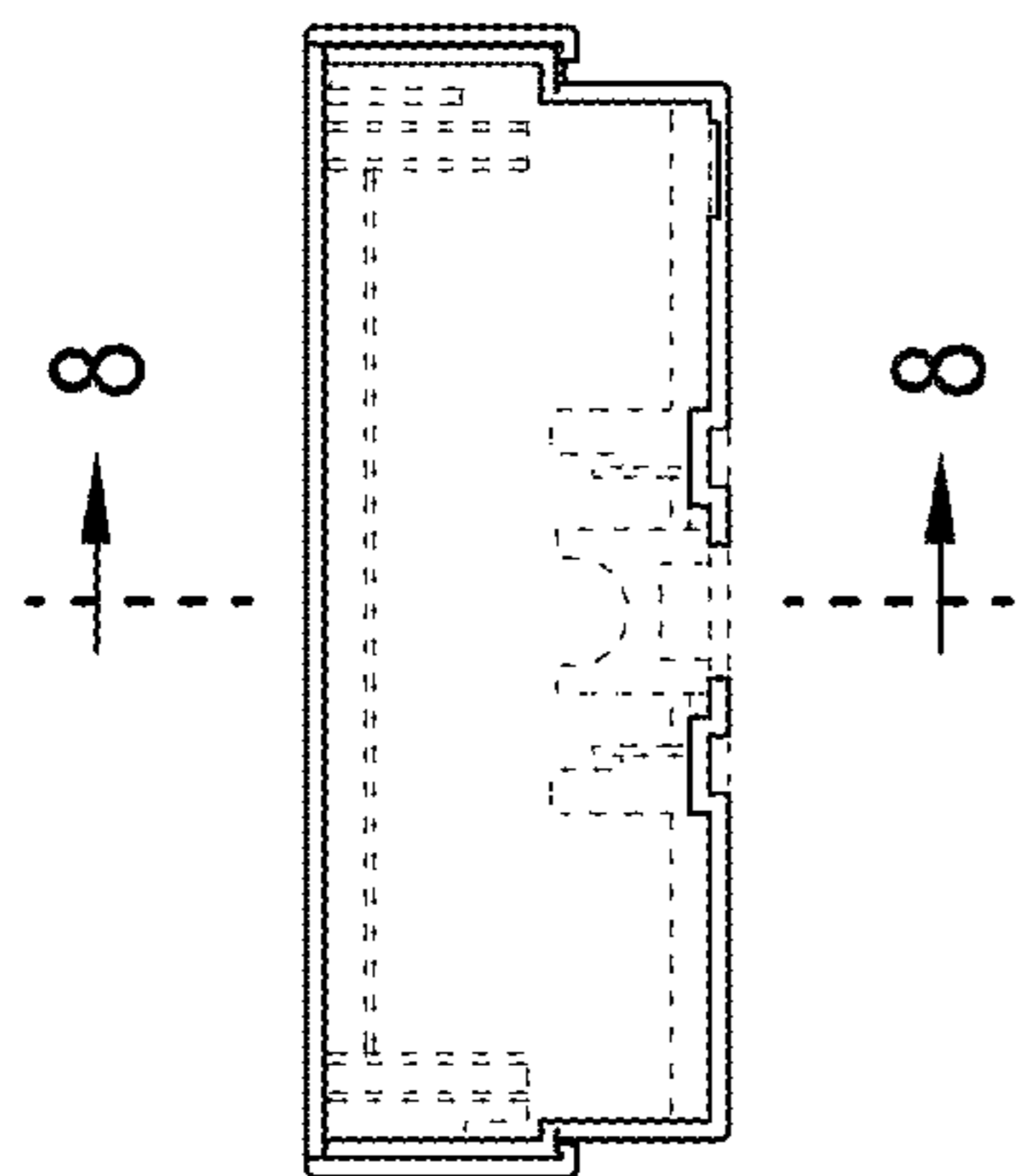


FIG. 4

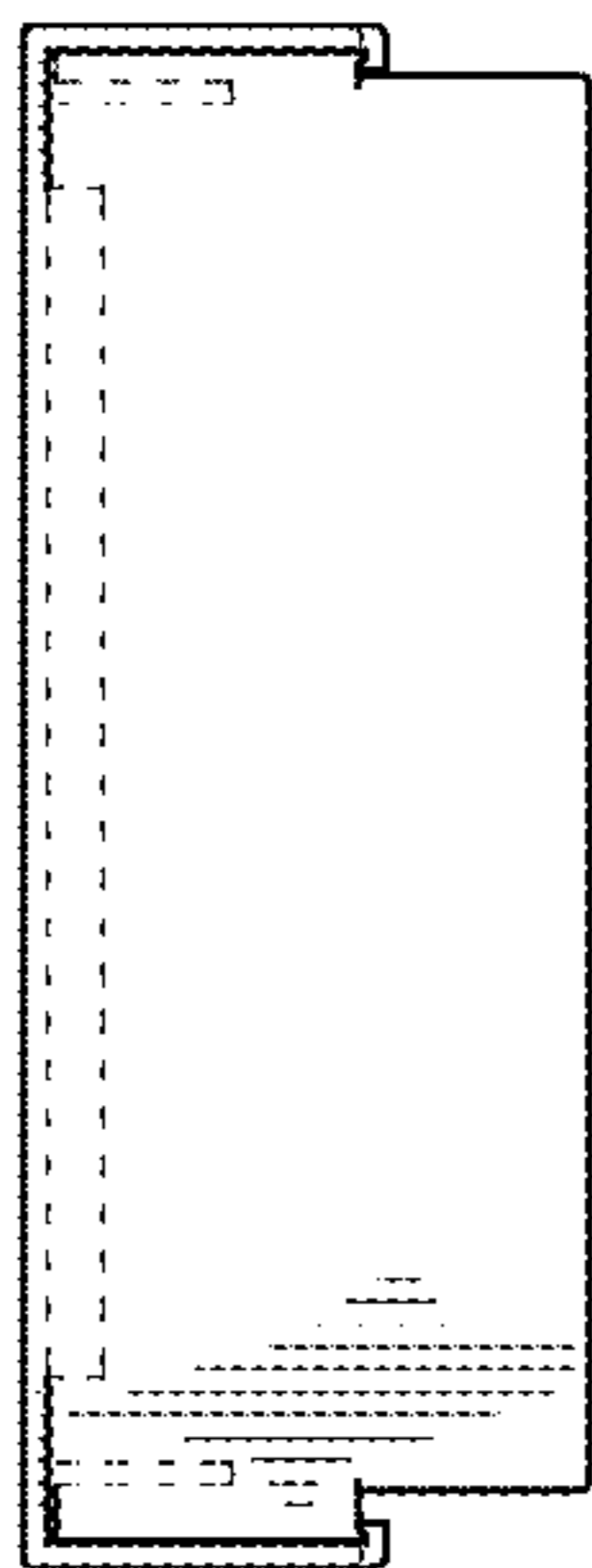


FIG. 5

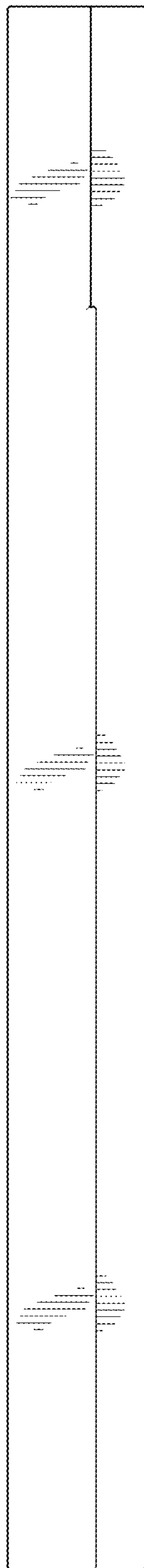


FIG. 6

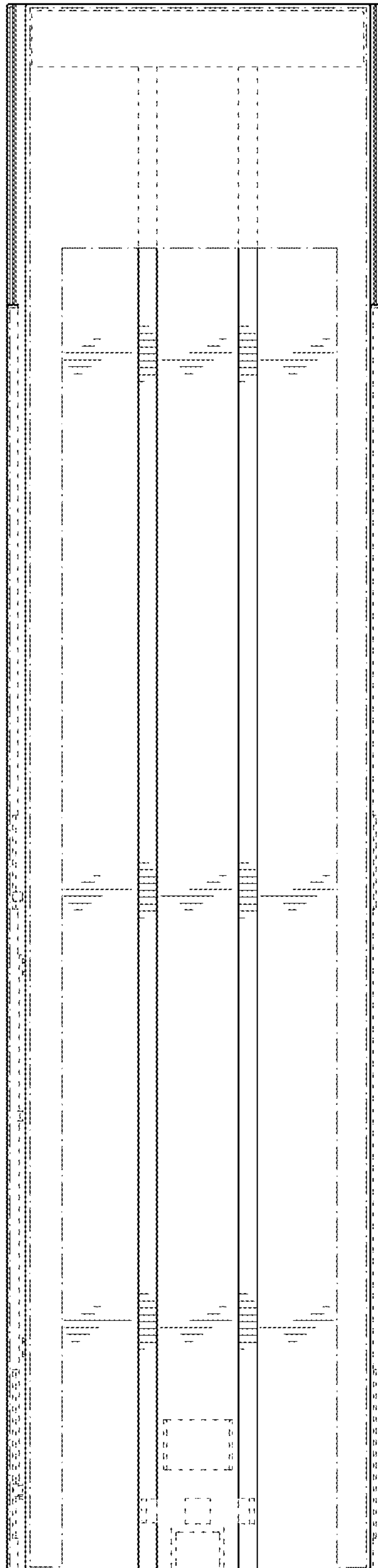


FIG. 7

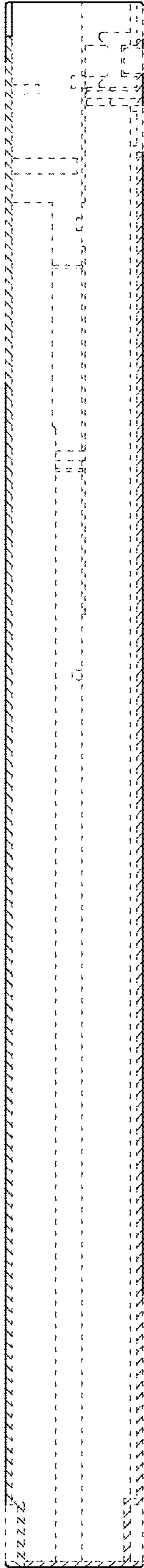


FIG. 8

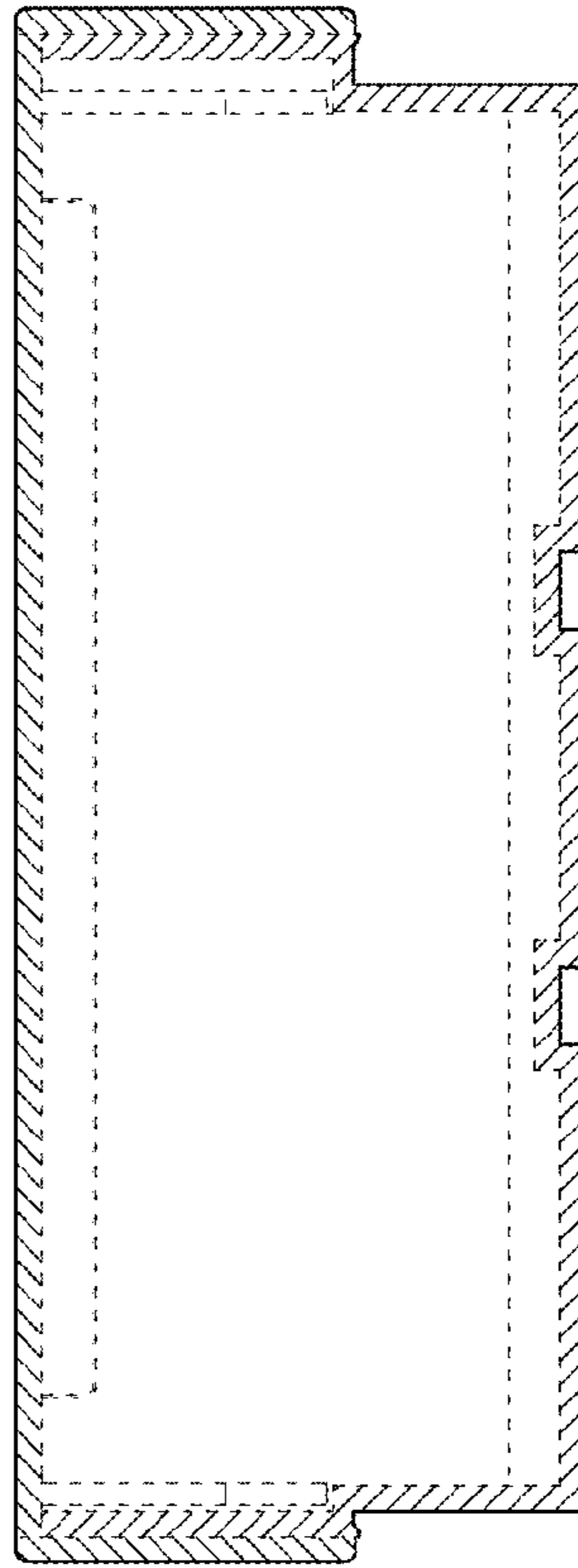


FIG. 9

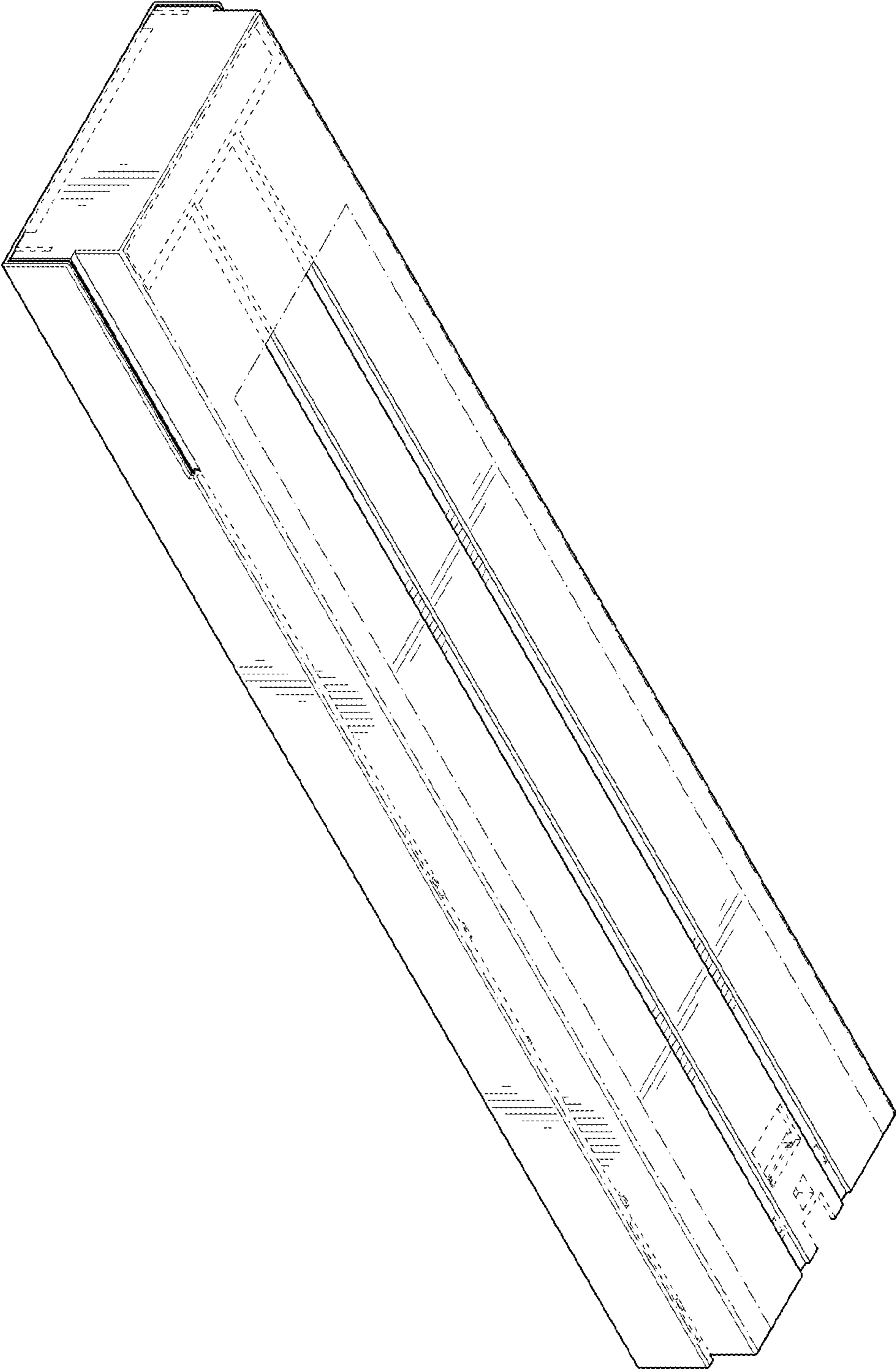


FIG. 10