



US00D761907S

(12) **United States Design Patent**
Oya et al.

(10) **Patent No.:** **US D761,907 S**
(45) **Date of Patent:** **** Jul. 19, 2016**

(54) **CAP FOR AN INK CARTRIDGE**
(71) Applicant: **SEIKO EPSON CORPORATION**,
Tokyo (JP)
(72) Inventors: **Shun Oya**, Matsumoto (JP); **Atsushi Kobayashi**, Matsumoto (JP); **Tadahiro Mizutani**, Shiojiri (JP)
(73) Assignee: **SEIKO EPSON CORPORATION**,
Tokyo (JP)
(**) Term: **14 Years**
(21) Appl. No.: **29/507,552**
(22) Filed: **Oct. 29, 2014**
(30) **Foreign Application Priority Data**

Jun. 11, 2014 (JP) 2014-012629
(51) **LOC (10) Cl.** **18-02**
(52) **U.S. Cl.**
USPC **D18/56**
(58) **Field of Classification Search**
USPC D18/12, 18, 34.9, 40, 43, 50, 56, 59,
D18/99; D14/471, 483
CPC B41J 2/17; B41J 2/1721; B41J 2/175;
B41J 2/17503; B41J 2/17513; B41J 2/1752;
B41J 2/17523; B41J 2/17553; B41J 2/17556;
B41J 2/185; B41J 29/377
See application file for complete search history.

(56) **References Cited**
U.S. PATENT DOCUMENTS
D375,322 S * 11/1996 Nagashima D18/40
D382,013 S * 8/1997 Tashiro D18/56

D382,014 S * 8/1997 Tashiro D18/56
D392,672 S * 3/1998 Inoue D18/56
D425,933 S * 5/2000 Inoue 347/86
D430,201 S * 8/2000 Inoue 347/86
7,134,747 B2 * 11/2006 Hayashi B41J 2/17513
347/49
2009/0309943 A1 * 12/2009 Lin B41J 2/1752
347/108
2012/0056955 A1 * 3/2012 Kodama B41J 2/1752
347/86
2014/0240412 A1 * 8/2014 Oya B41J 2/1753
347/86
2015/0258801 A1 * 9/2015 Mizutani B41J 2/17503
347/86
2015/0375544 A1 * 12/2015 Kubota B41J 2/14
347/50

* cited by examiner

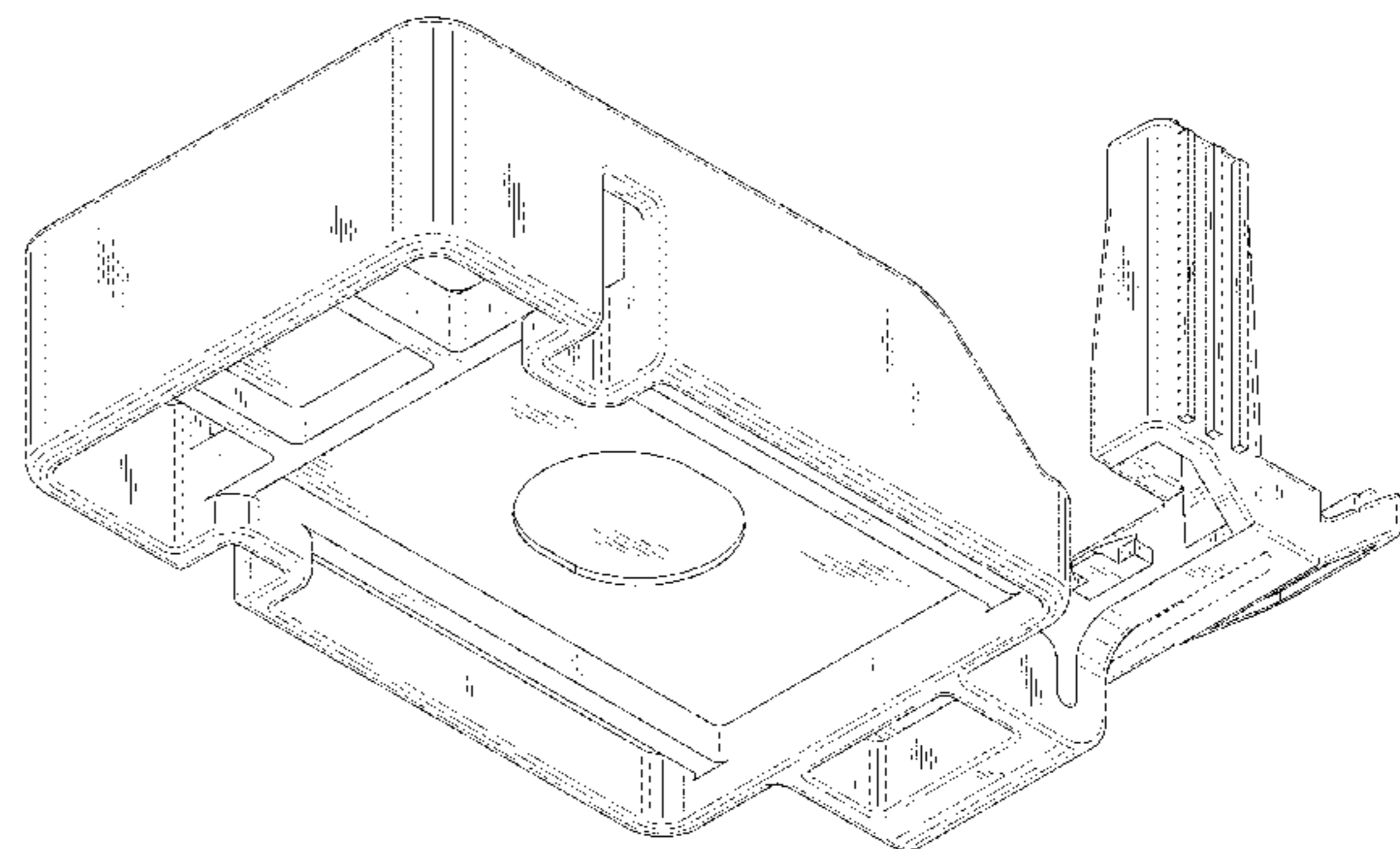
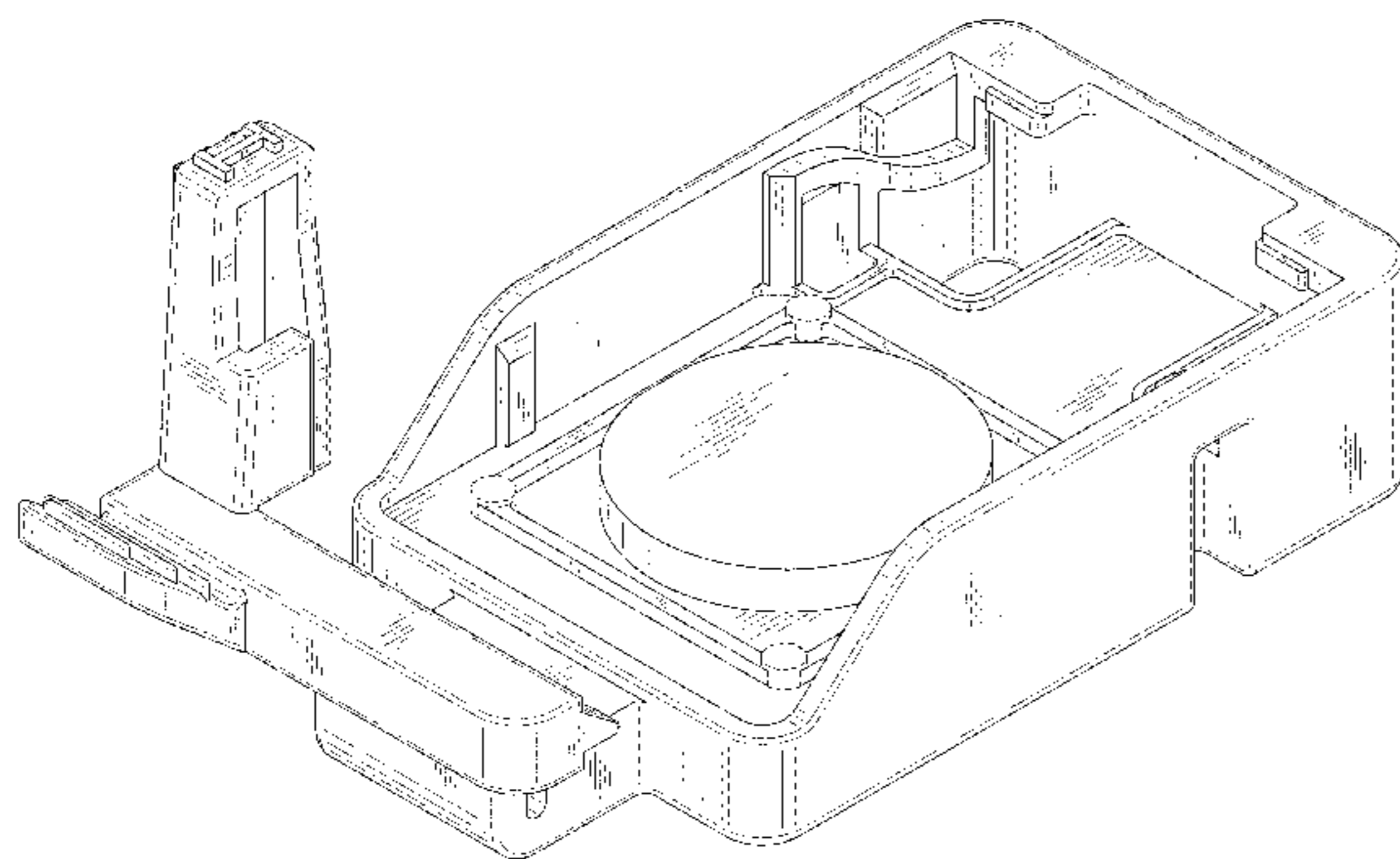
Primary Examiner — Thomas Johannes
Assistant Examiner — Shawn T Gingrich

(57) **CLAIM**
The ornamental design for a cap for an ink cartridge, as shown and described.

DESCRIPTION

FIG. 1 is a front, top and right side perspective view of a cap for an ink cartridge showing our new design;
FIG. 2 is a rear, bottom and left side perspective view thereof;
FIG. 3 is a front view thereof;
FIG. 4 is a rear view thereof;
FIG. 5 is a top plan view thereof;
FIG. 6 is a bottom plan view thereof;
FIG. 7 is a right side view thereof; and,
FIG. 8 is a left side view thereof.
The features shown in broken lines in the drawings depict portions of the article that form no part of the claimed design.

1 Claim, 8 Drawing Sheets



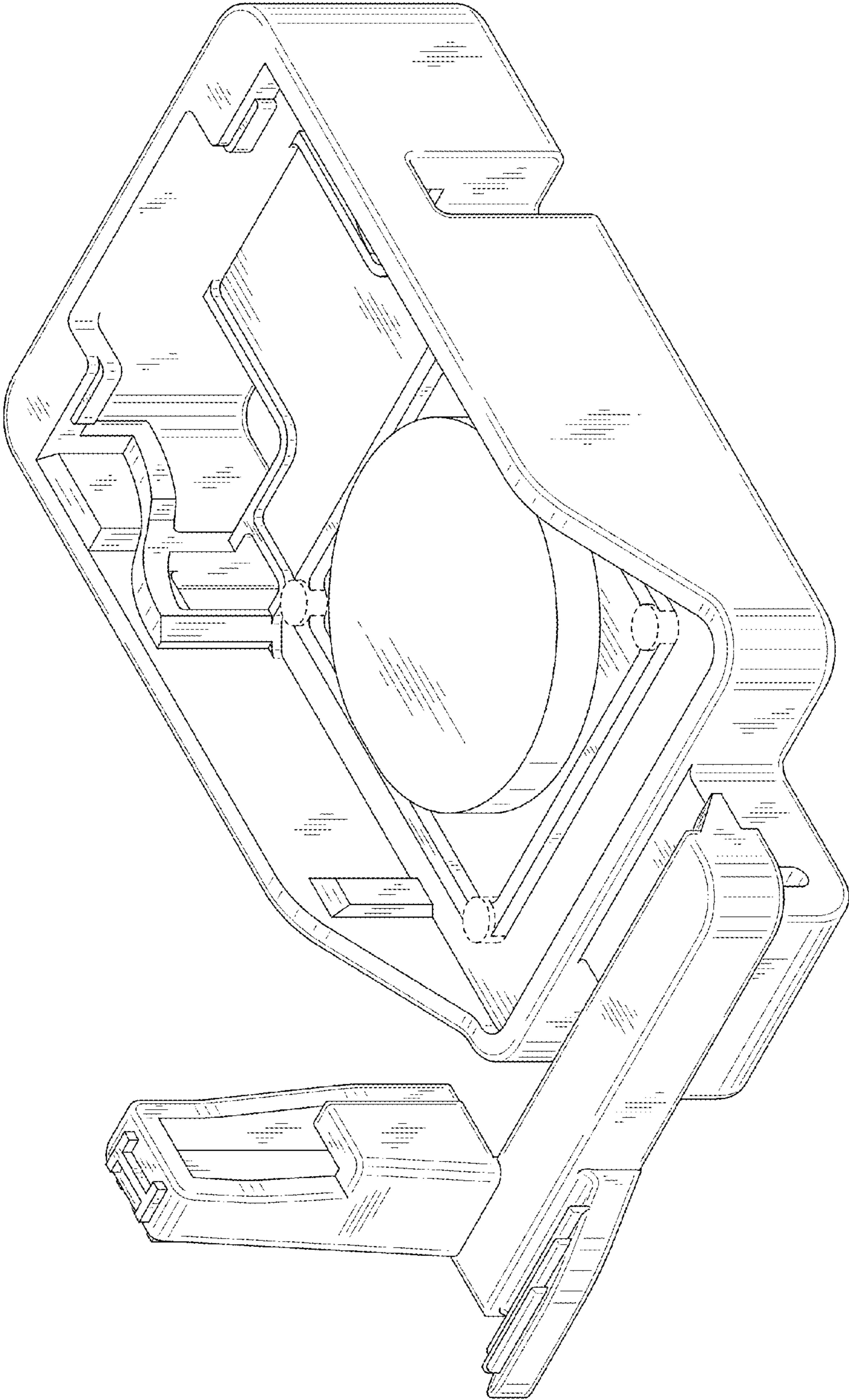


Fig.1

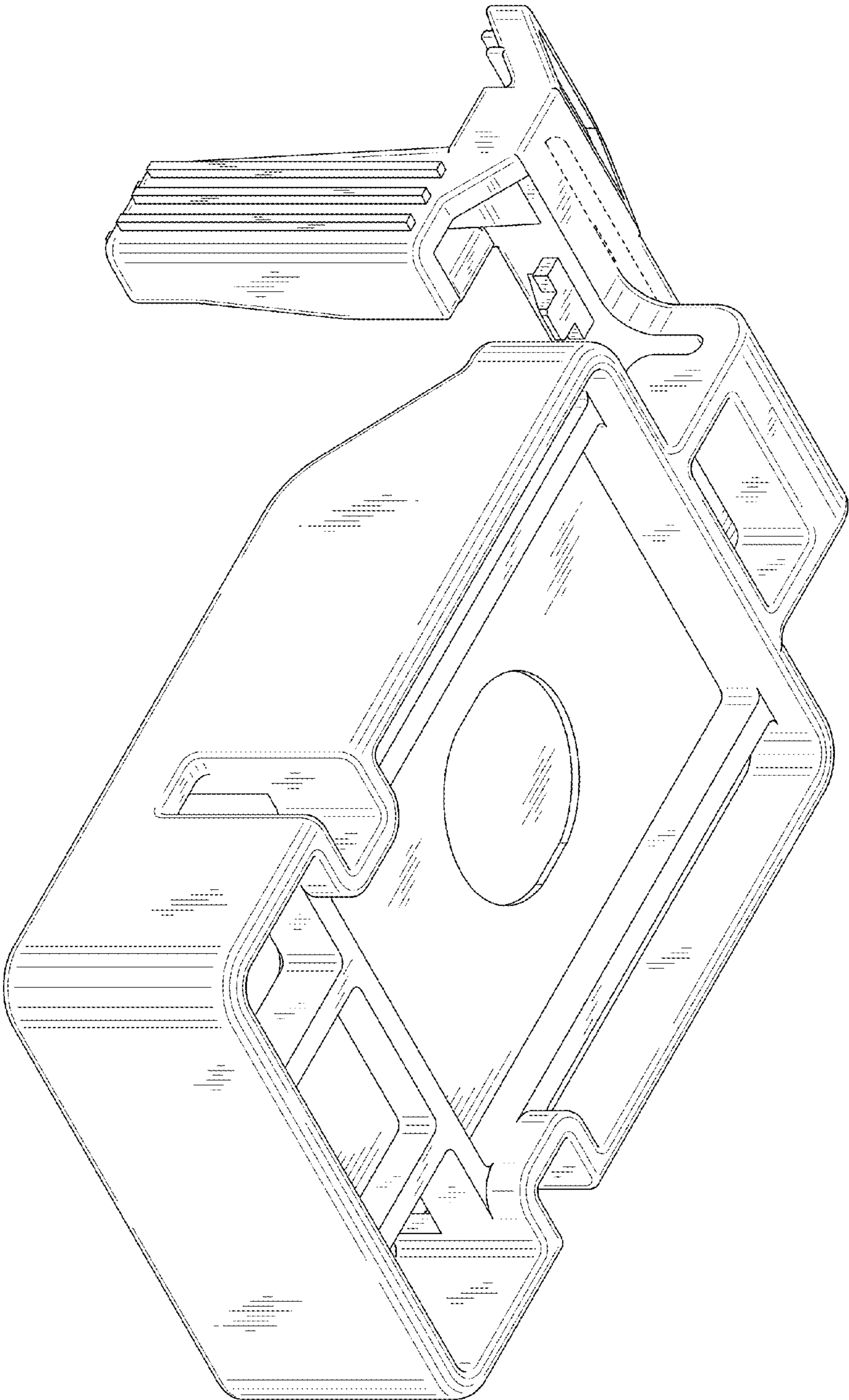


Fig.2

Fig.3

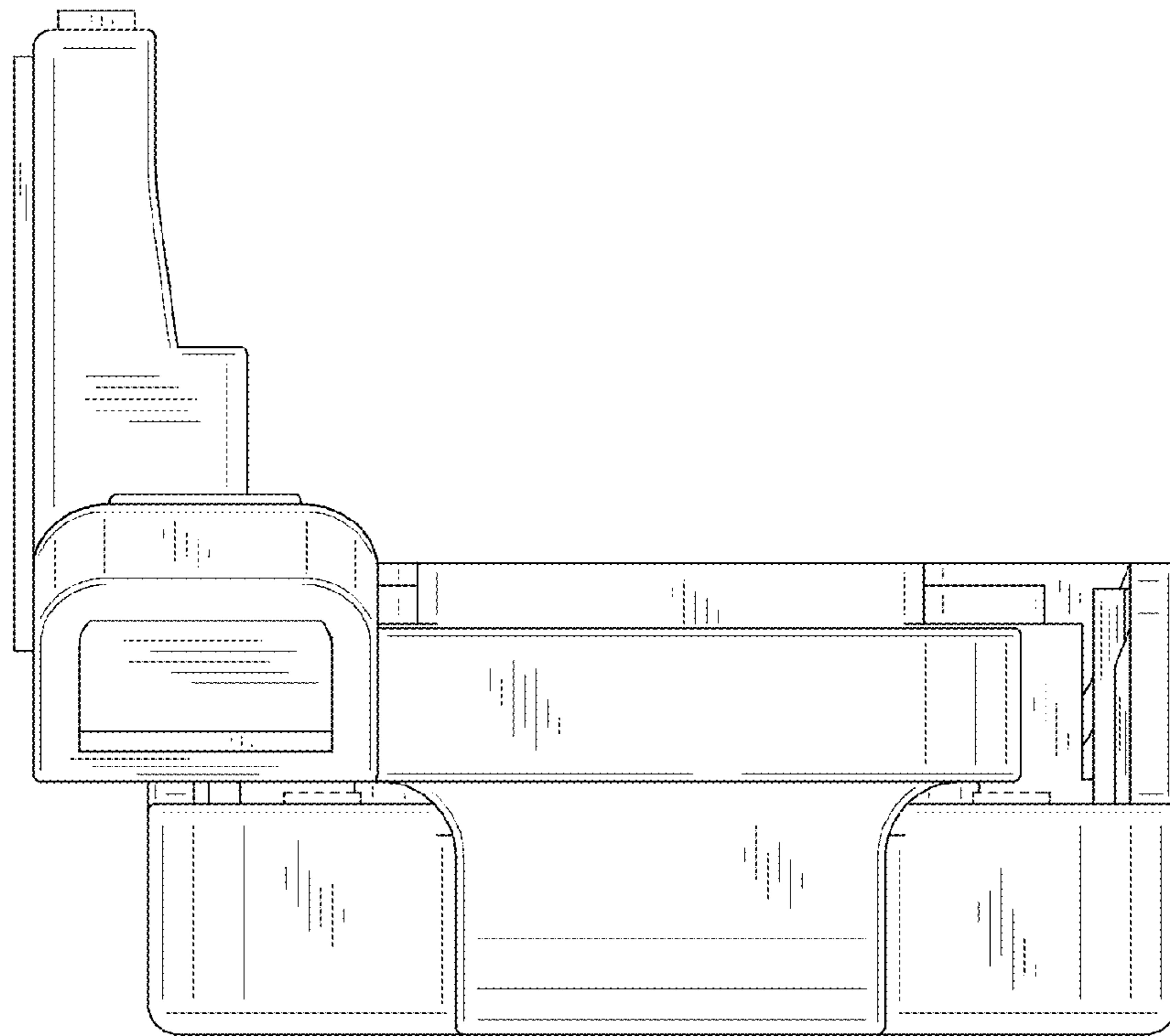


Fig.4



Fig.5

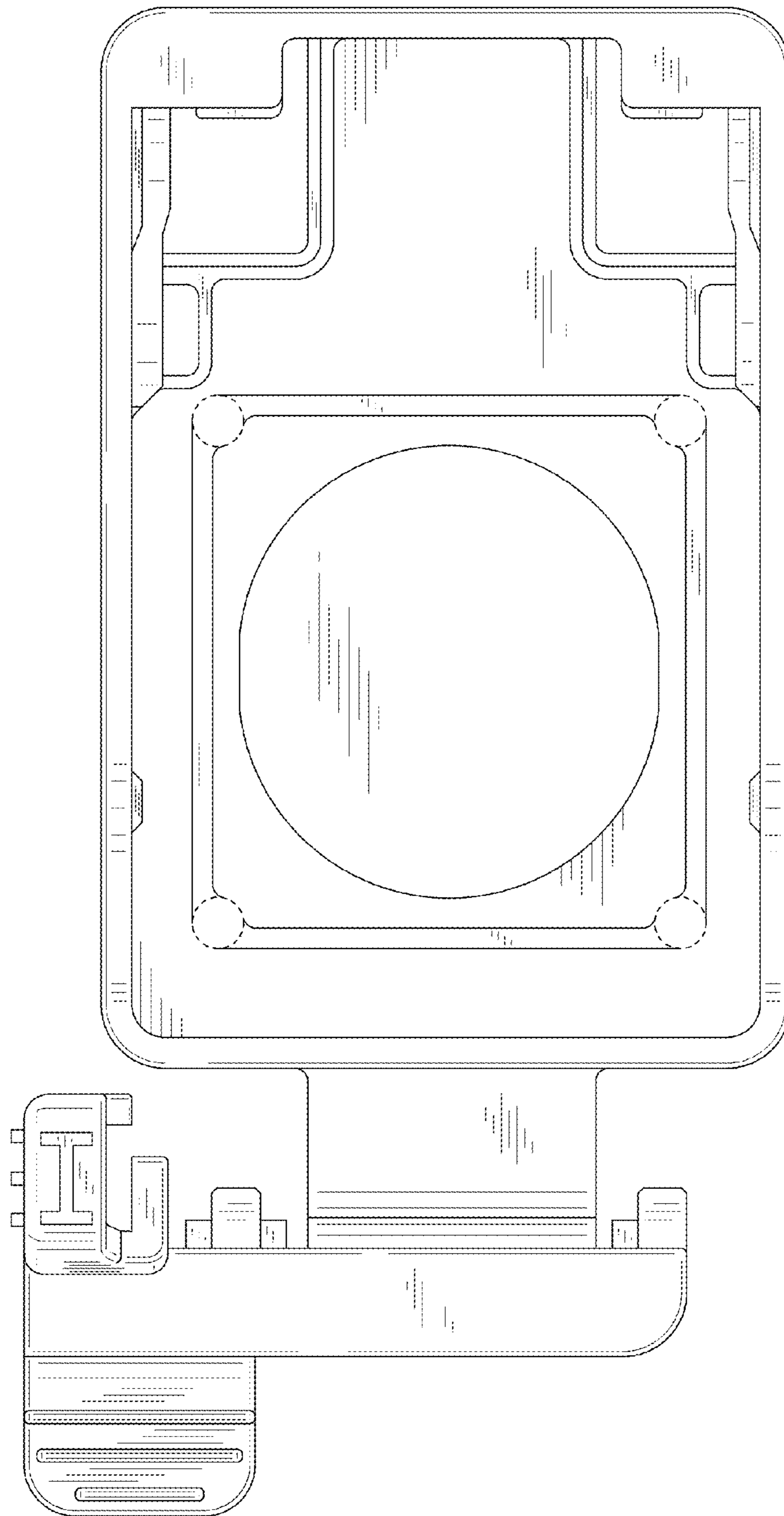
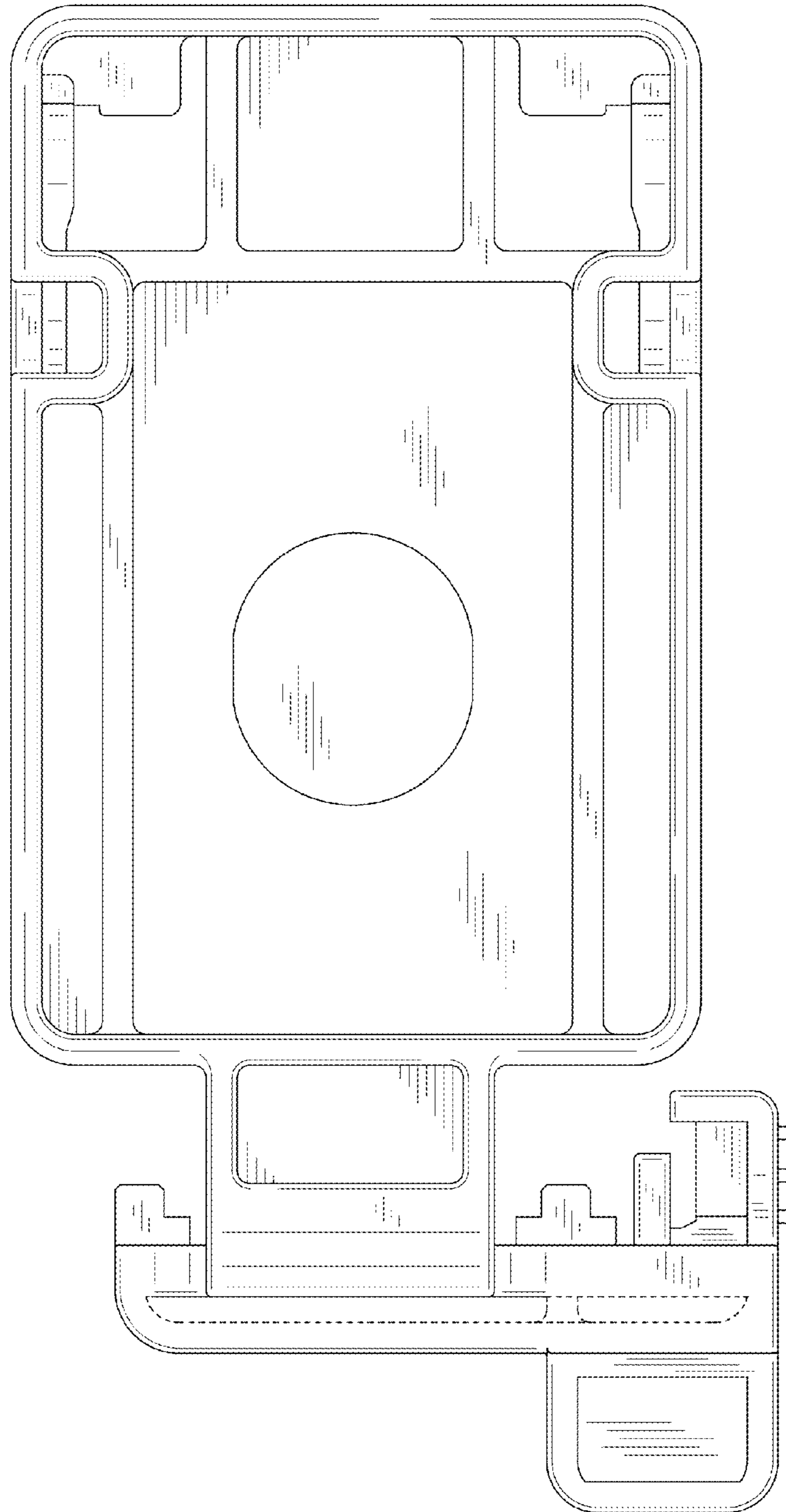


Fig.6



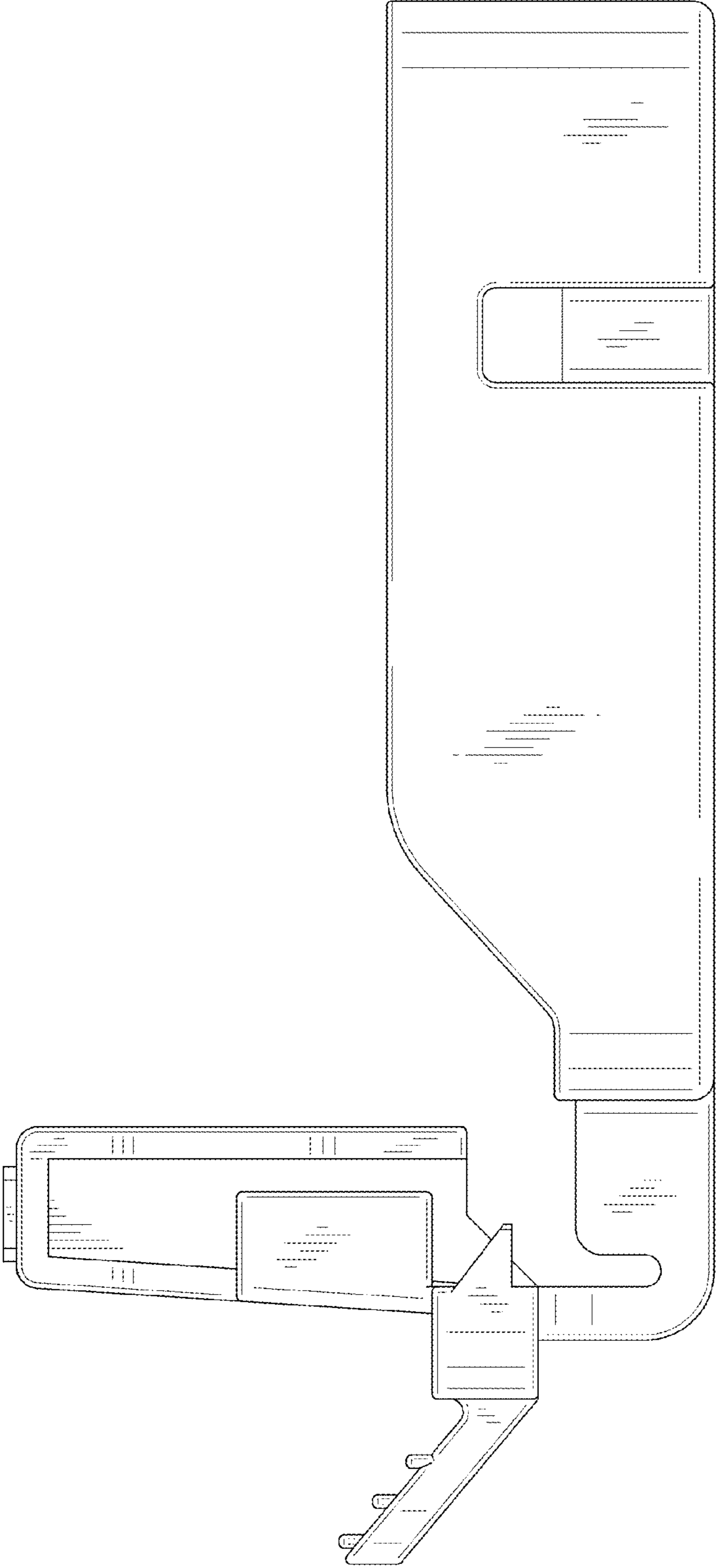


Fig.7

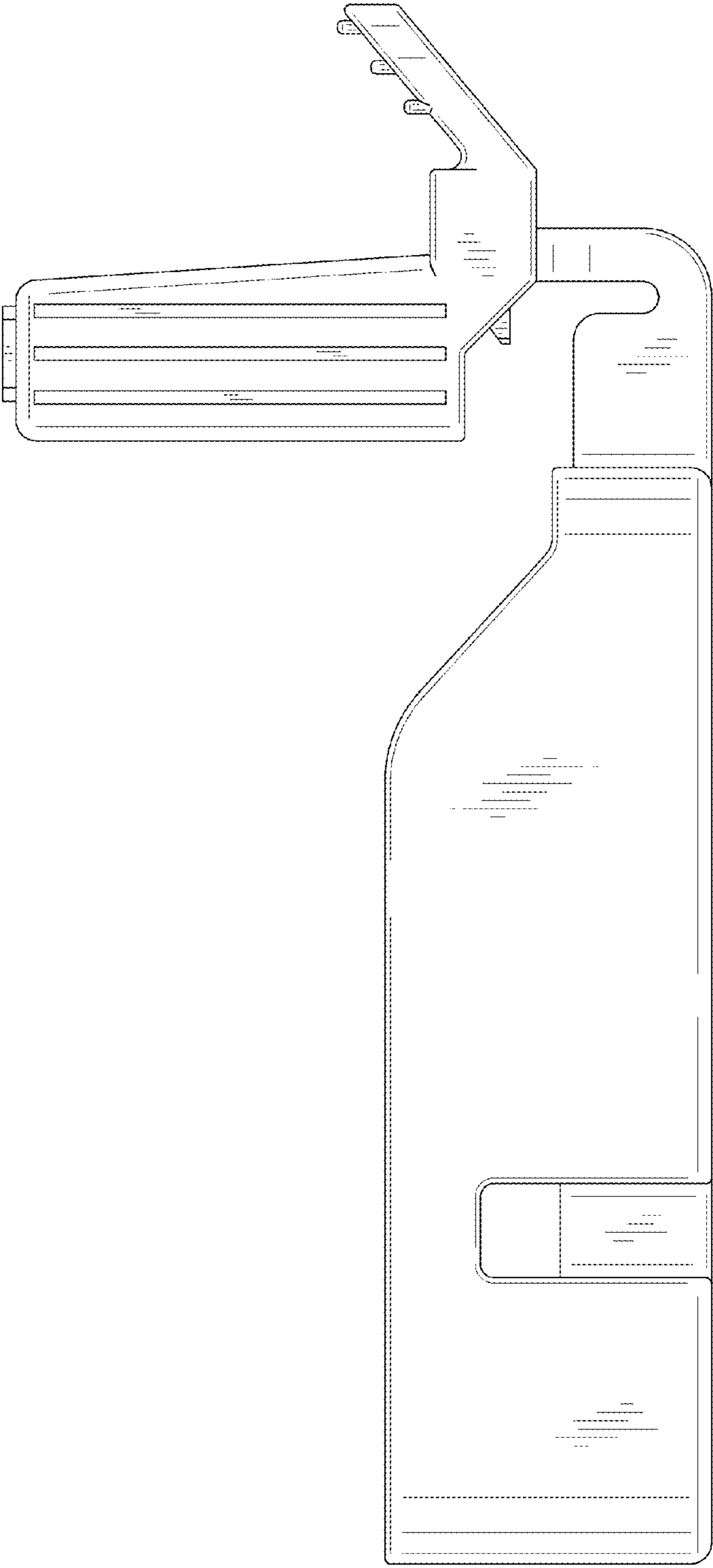


Fig.8