



US00D761906S

(12) **United States Design Patent**  
**Oya et al.**

(10) **Patent No.:** **US D761,906 S**  
(45) **Date of Patent:** **\*\* Jul. 19, 2016**

(54) **CAP FOR AN INK CARTRIDGE**  
(71) Applicant: **SEIKO EPSON CORPORATION**,  
Tokyo (JP)  
(72) Inventors: **Shun Oya**, Matsumoto (JP); **Atsushi Kobayashi**, Matsumoto (JP); **Tadahiro Mizutani**, Shiojiri (JP)  
(73) Assignee: **SEIKO EPSON CORPORATION**,  
Tokyo (JP)  
(\*\*) Term: **14 Years**  
(21) Appl. No.: **29/507,550**  
(22) Filed: **Oct. 29, 2014**  
(30) **Foreign Application Priority Data**

Jun. 11, 2014 (JP) ..... 2014-012628  
(51) **LOC (10) Cl.** ..... **18-02**  
(52) **U.S. Cl.**  
USPC ..... **D18/56**  
(58) **Field of Classification Search**  
USPC ..... D18/12, 18, 34.9, 40, 43, 50, 56, 59,  
D18/99; D14/471, 483  
CPC ..... B41J 2/17; B41J 2/1721; B41J 2/175;  
B41J 2/17503; B41J 2/17513; B41J 2/1752;  
B41J 2/17523; B41J 2/17553; B41J 2/17556;  
B41J 2/185; B41J 29/377  
See application file for complete search history.

(56) **References Cited**  
U.S. PATENT DOCUMENTS  
D375,322 S \* 11/1996 Nagashima ..... D18/40  
D382,013 S \* 8/1997 Tashiro ..... D18/56

D382,014 S \* 8/1997 Tashiro ..... D18/56  
D392,672 S \* 3/1998 Inoue ..... D18/56  
D425,933 S \* 5/2000 Inoue ..... 347/86  
D430,201 S \* 8/2000 Inoue ..... 347/86  
7,134,747 B2 \* 11/2006 Hayashi ..... B41J 2/17513  
347/49  
2009/0309943 A1 \* 12/2009 Lin ..... B41J 2/1752  
347/108  
2012/0056955 A1 \* 3/2012 Kodama ..... B41J 2/1752  
347/86  
2014/0240412 A1 \* 8/2014 Oya ..... B41J 2/1753  
347/86  
2015/0258801 A1 \* 9/2015 Mizutani ..... B41J 2/17503  
347/86  
2015/0375544 A1 \* 12/2015 Kubota ..... B41J 2/14  
347/50

\* cited by examiner

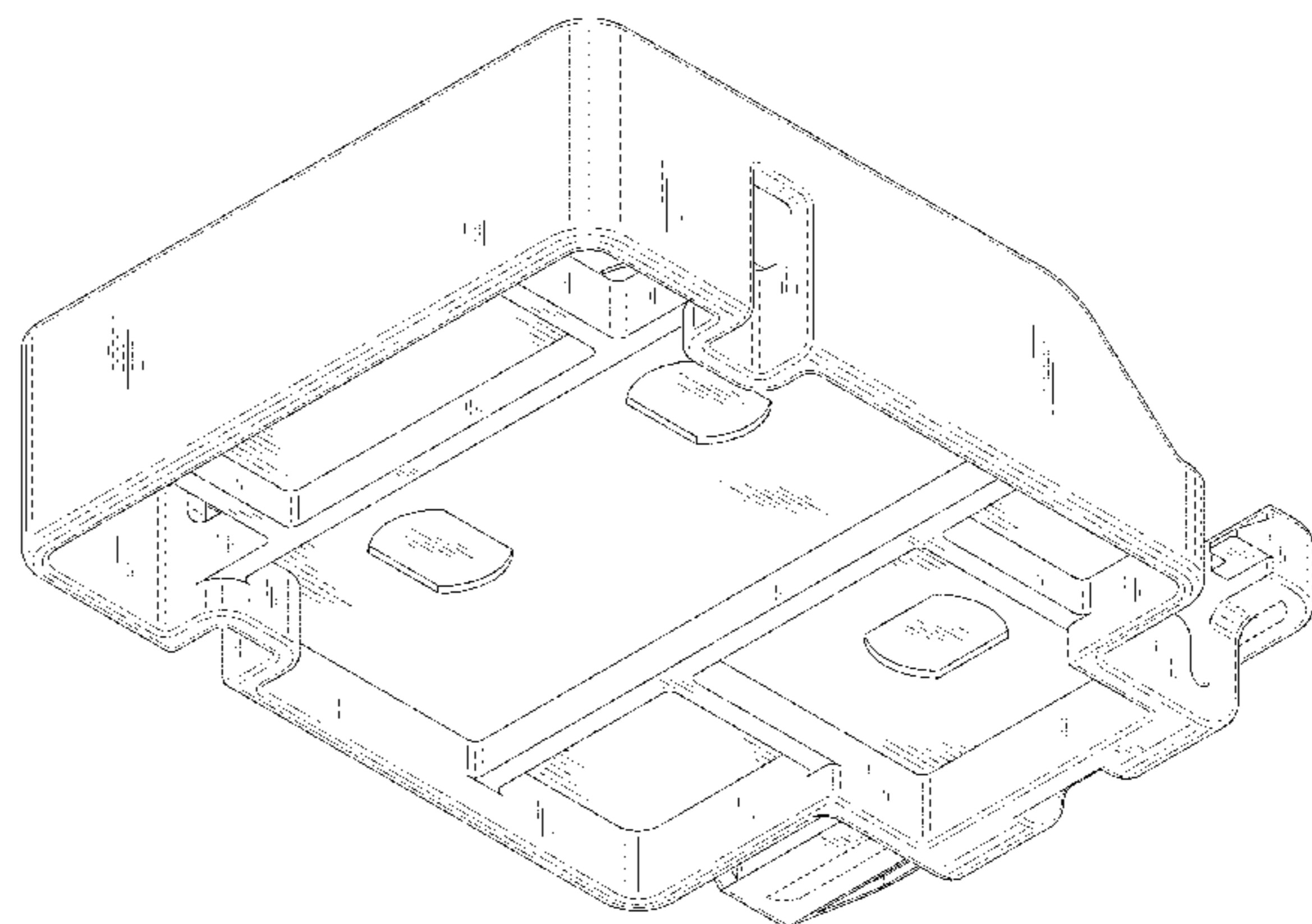
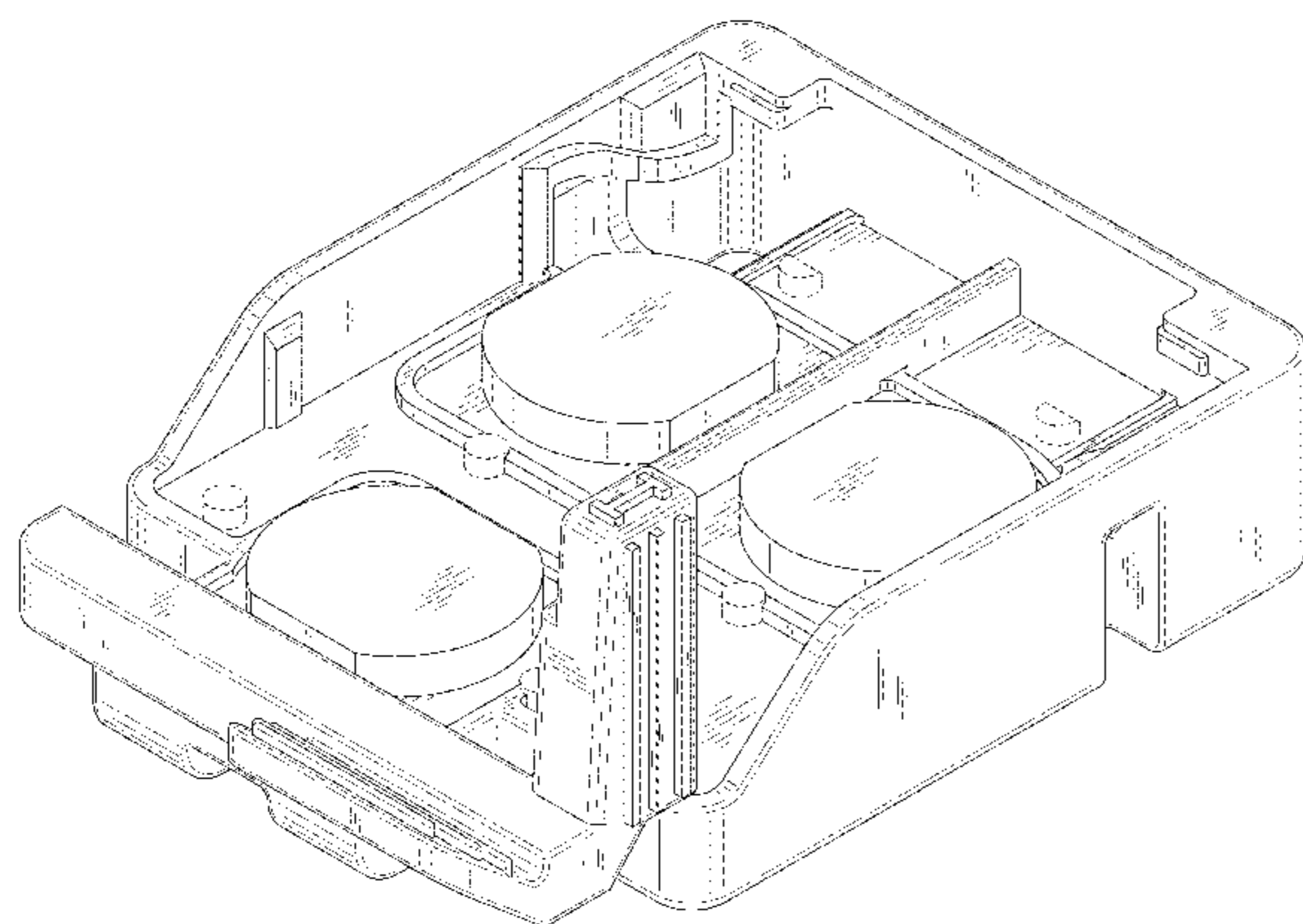
*Primary Examiner* — Thomas Johannes  
*Assistant Examiner* — Shawn T Gingrich

(57) **CLAIM**  
The ornamental design for a cap for an ink cartridge, as shown and described.

**DESCRIPTION**

FIG. 1 is a front, top and right side perspective view of a cap for an ink cartridge showing our new design;  
FIG. 2 is a rear, bottom and left side perspective view thereof;  
FIG. 3 is a front view thereof;  
FIG. 4 is a rear view thereof;  
FIG. 5 is a top plan view thereof;  
FIG. 6 is a bottom plan view thereof;  
FIG. 7 is a right side view thereof; and,  
FIG. 8 is a left side view thereof.  
The features shown in broken lines in the drawings depict portions of the article that form no part of the claimed design.

**1 Claim, 8 Drawing Sheets**



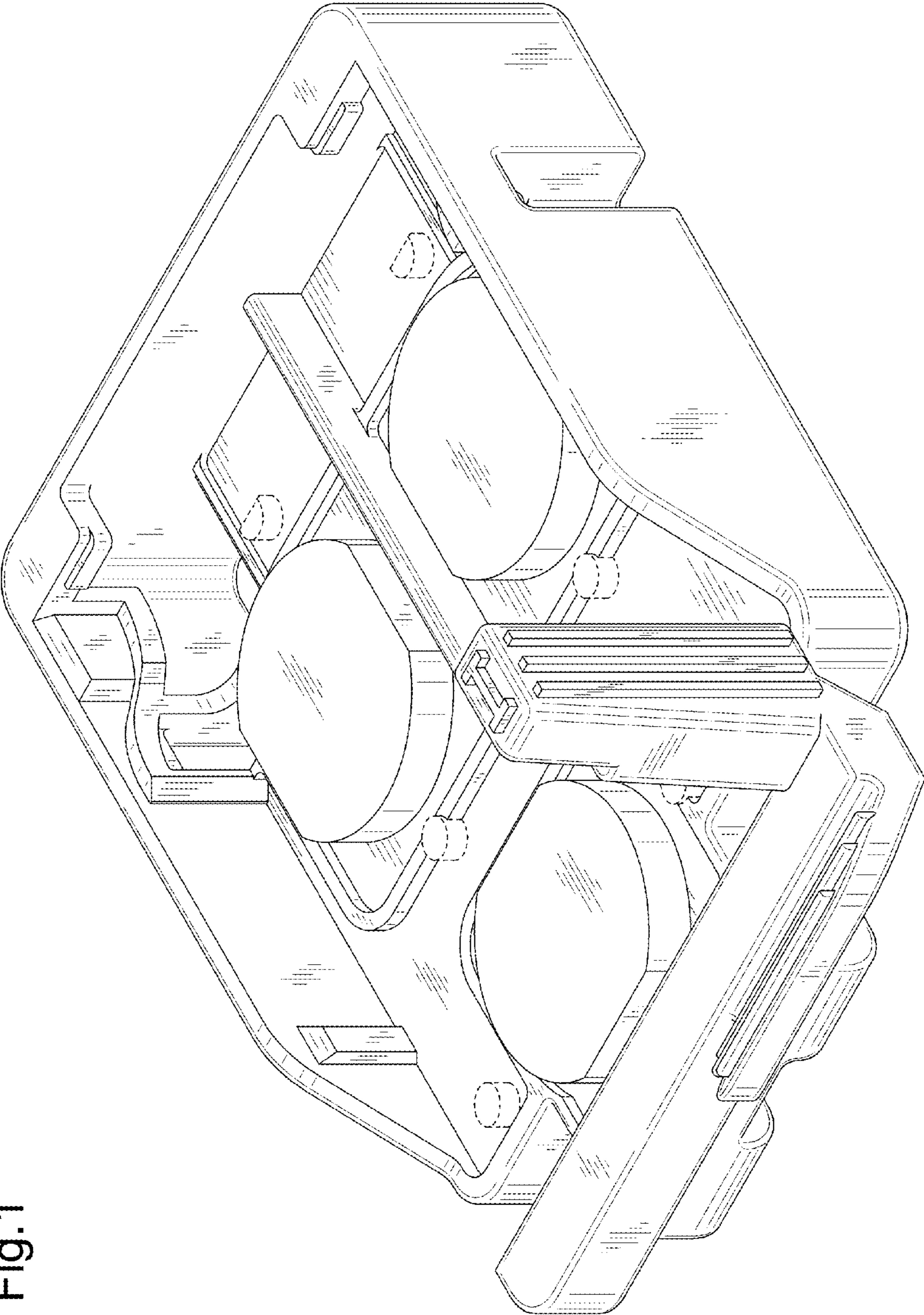


Fig.1

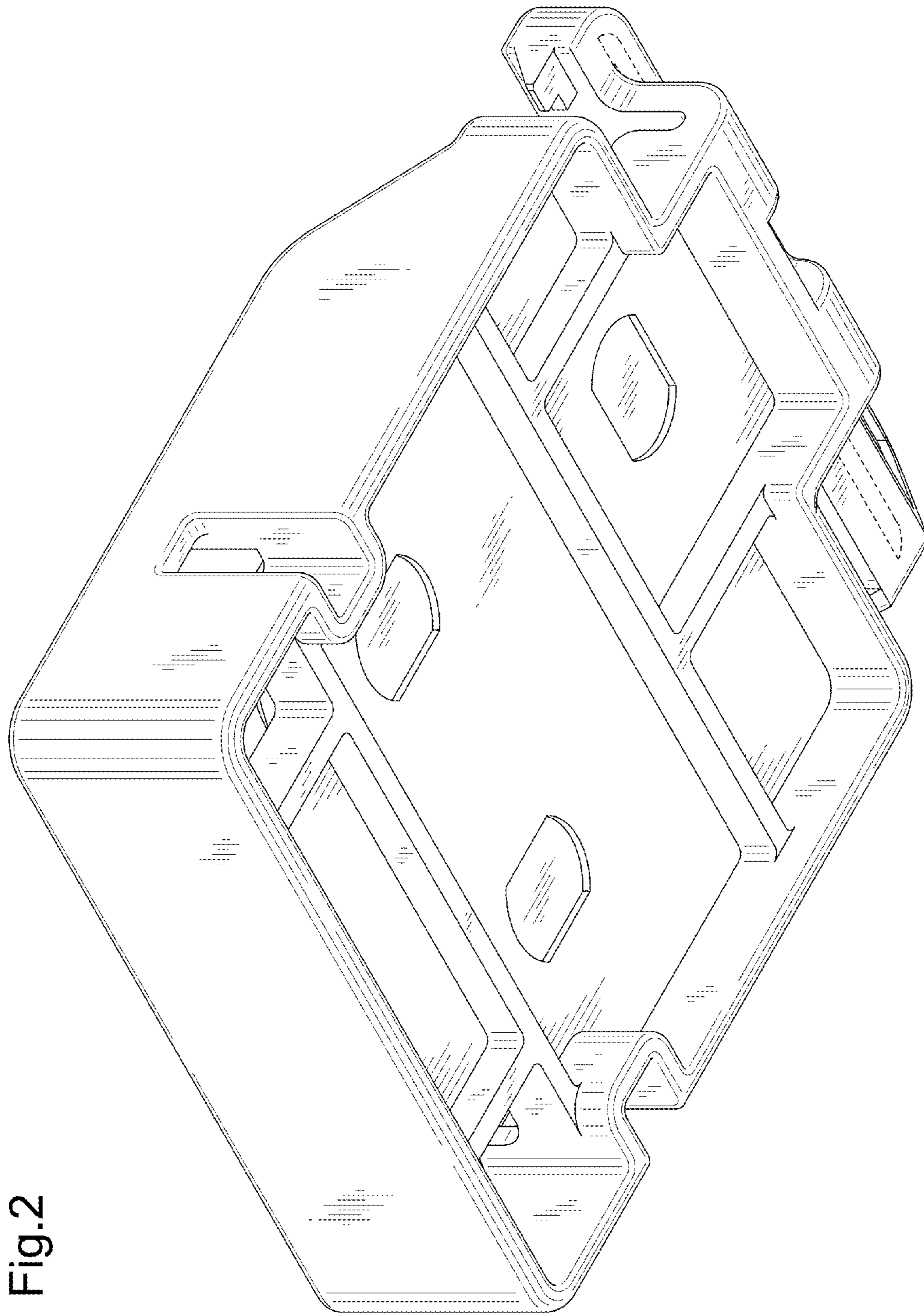


Fig.2

Fig.3

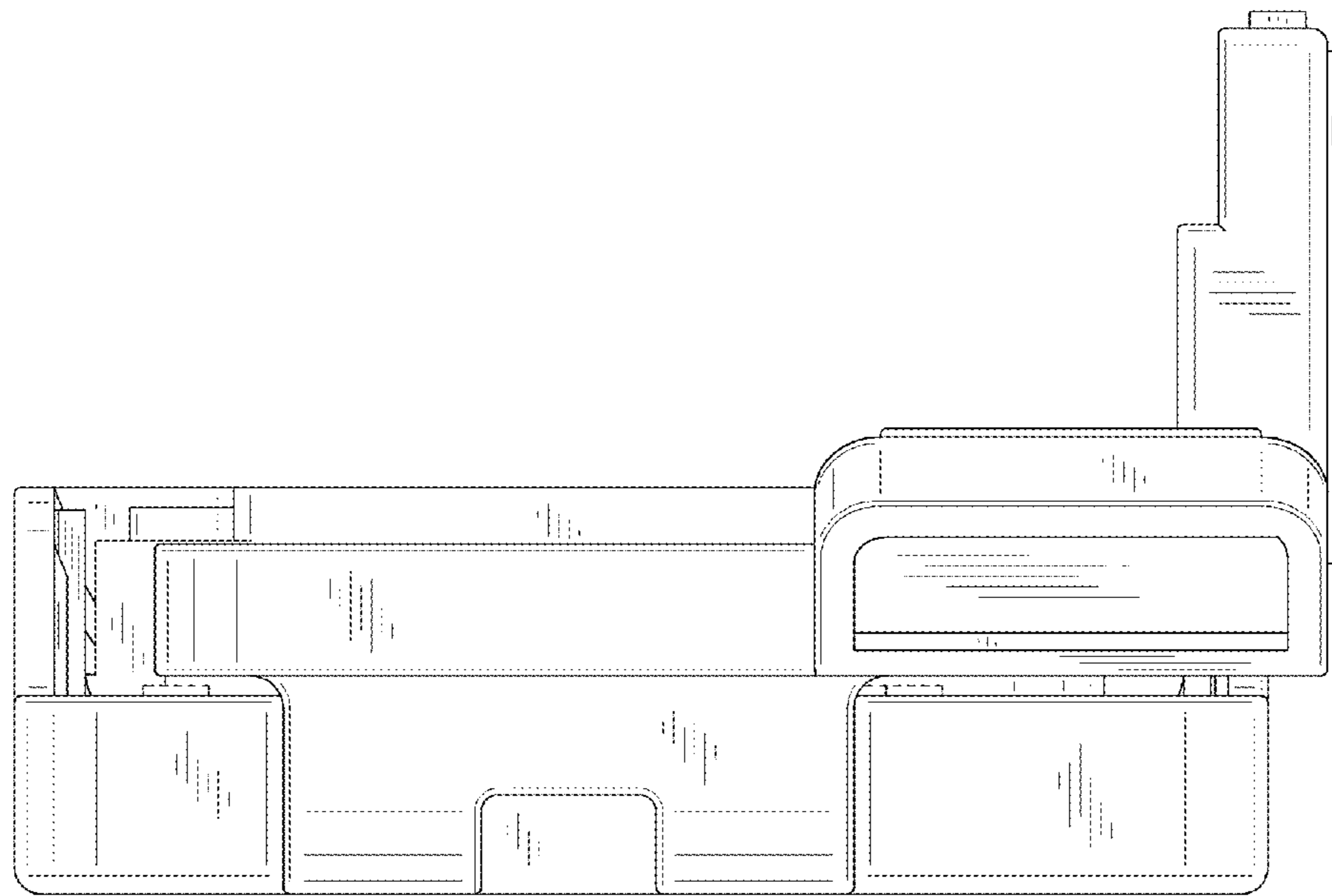


Fig.4

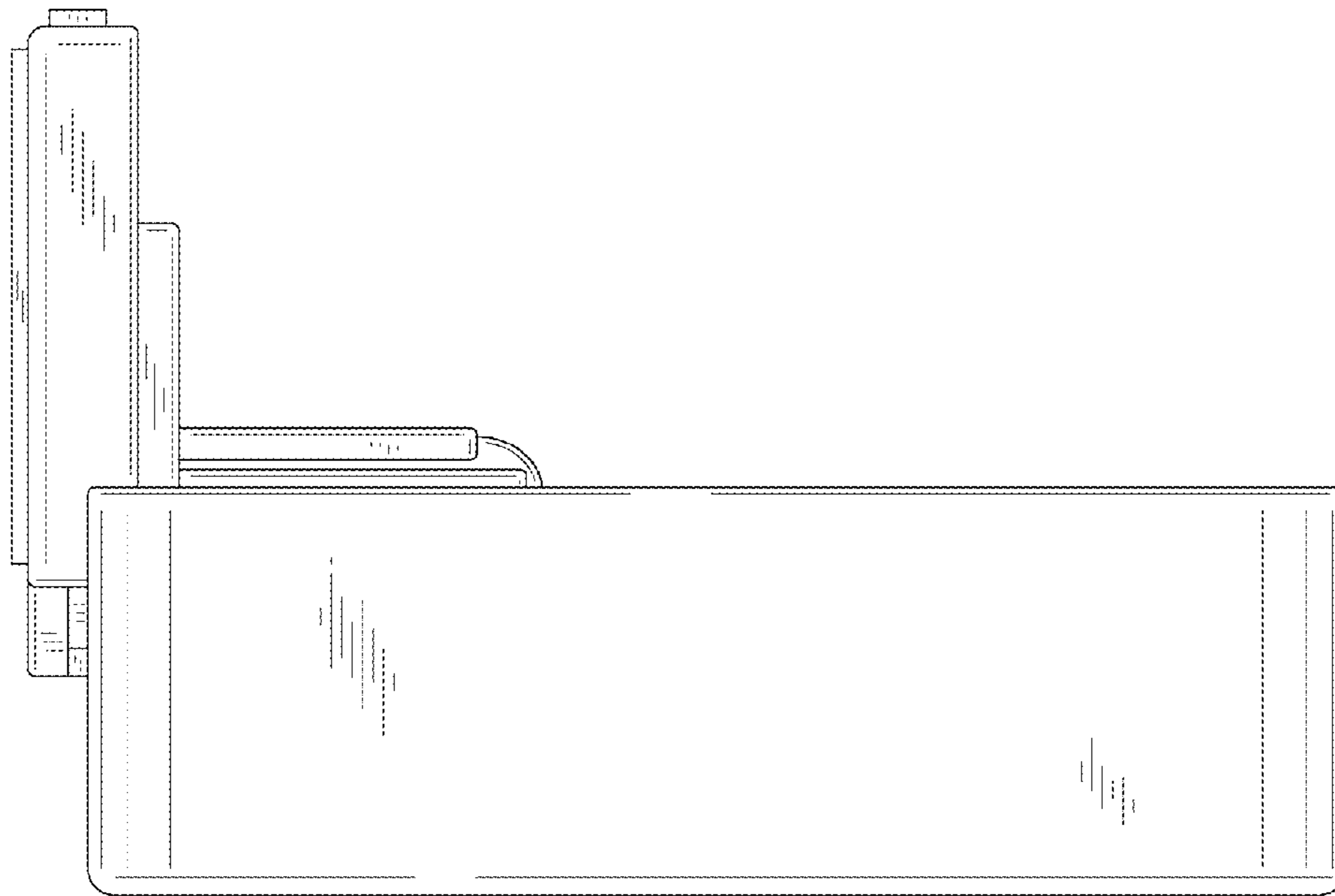


Fig.5

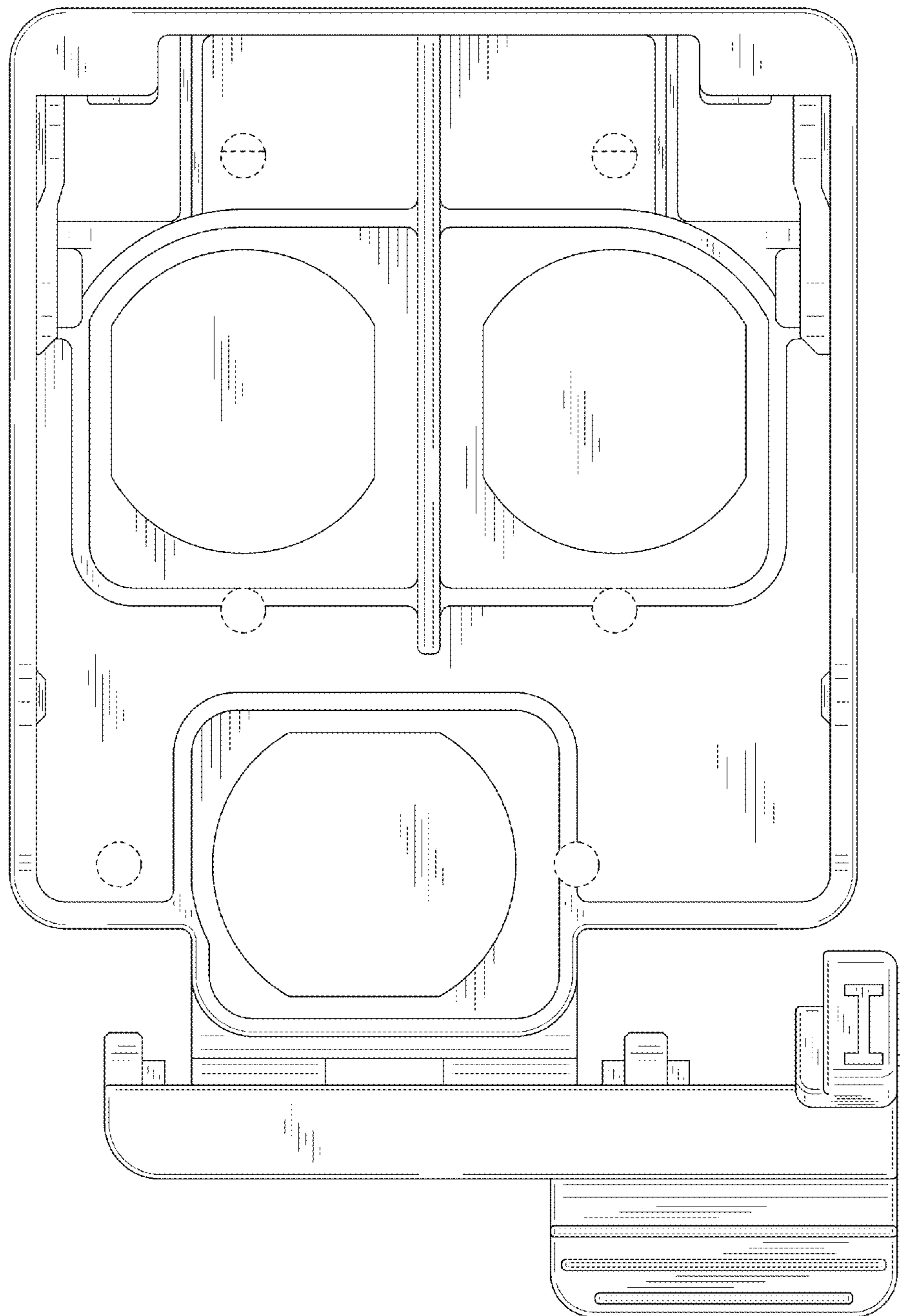
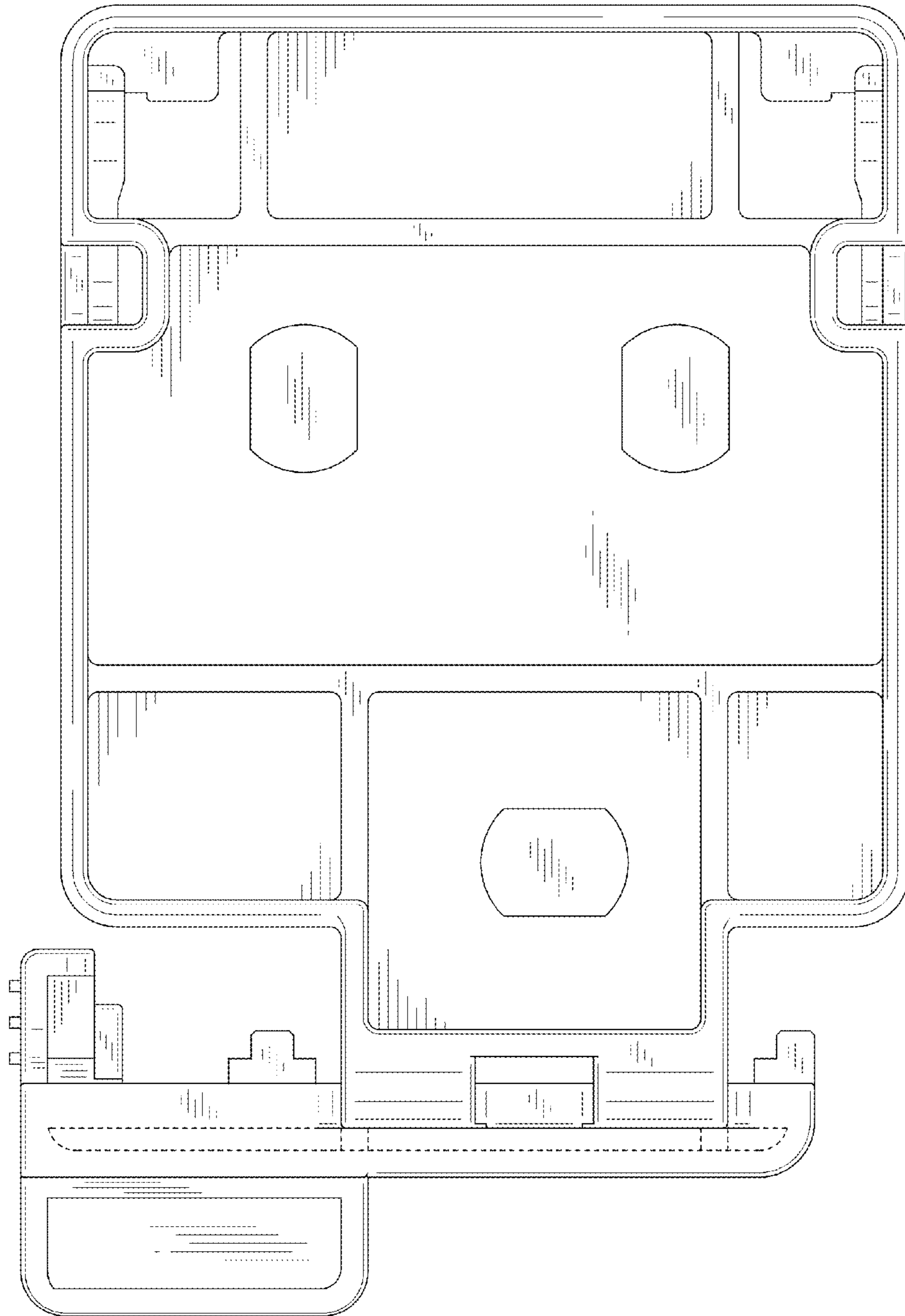


Fig.6



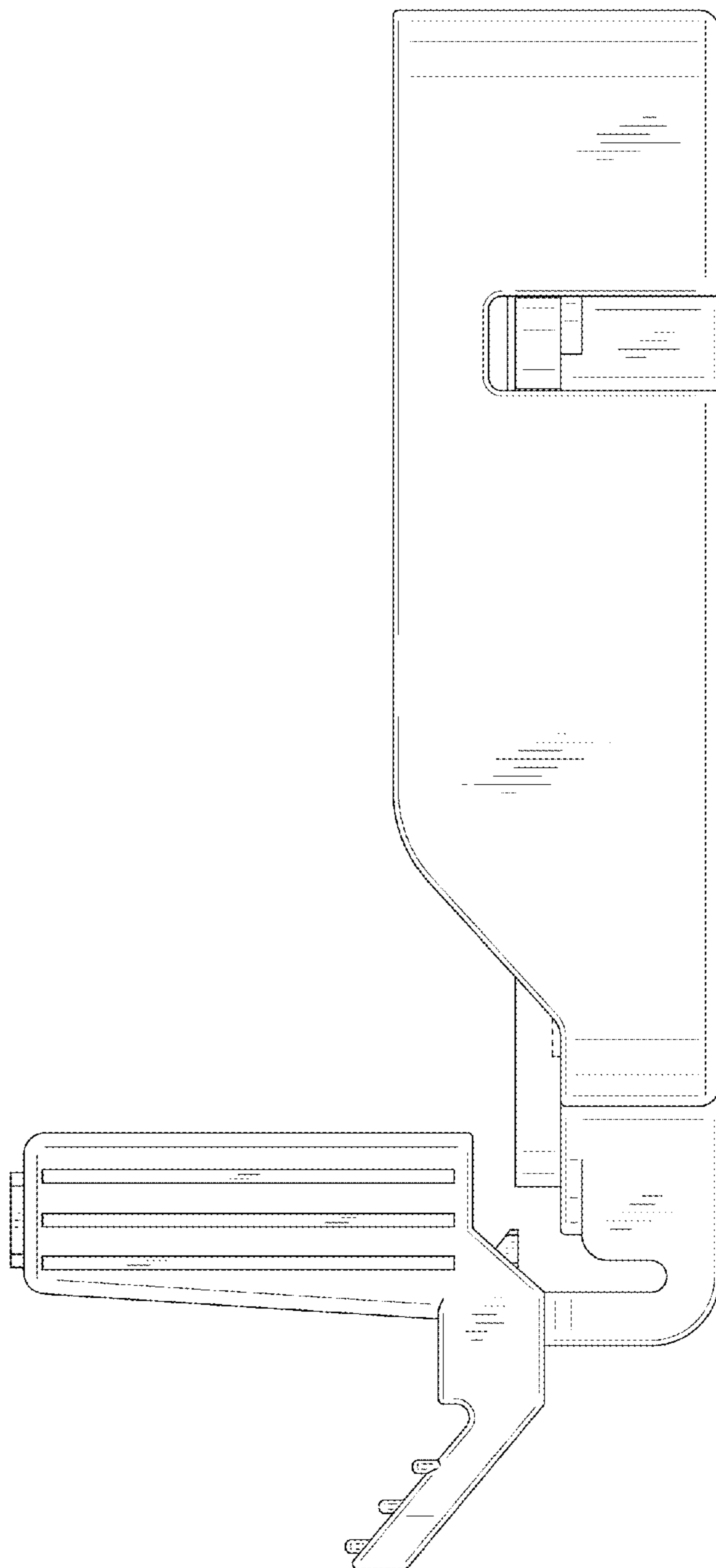


Fig. 7



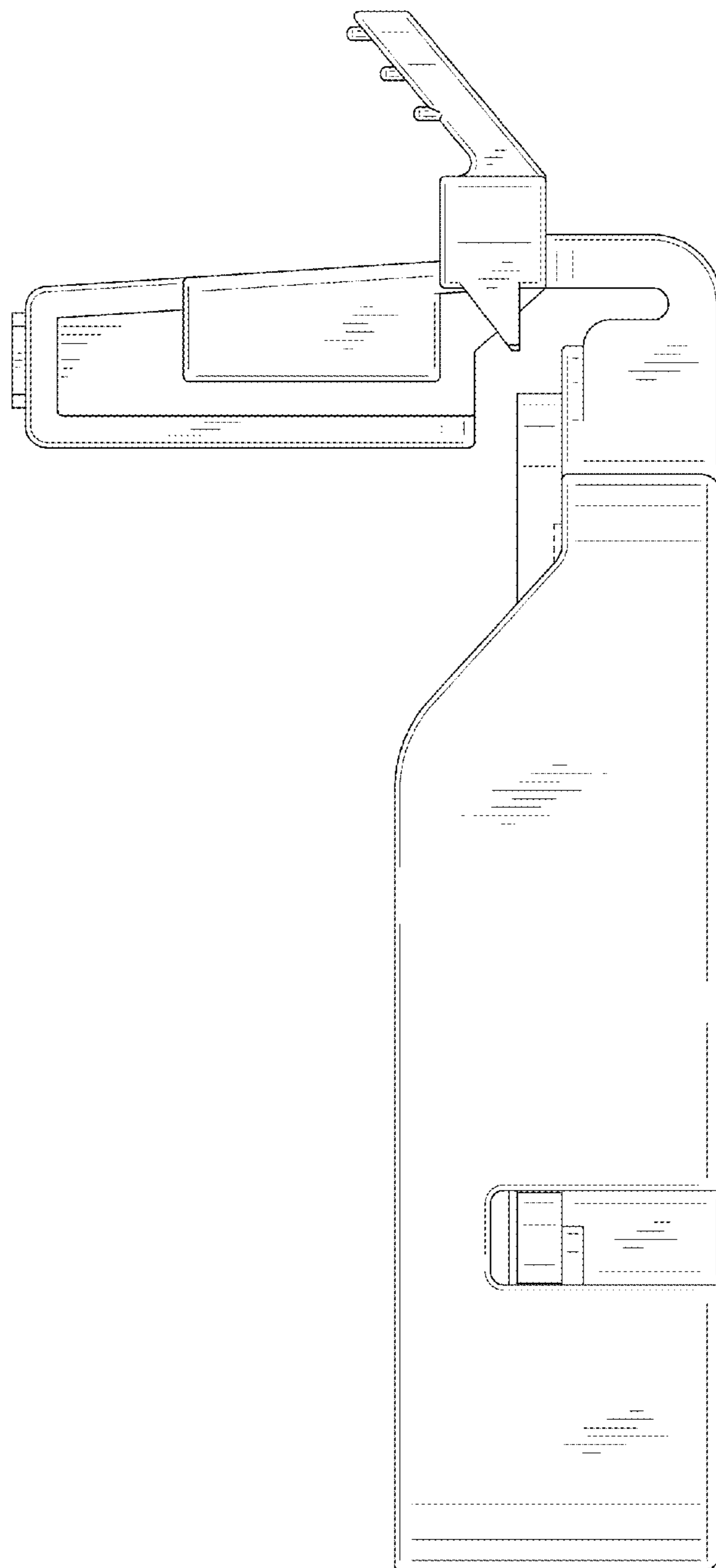


Fig.8