



US00D761904S

(12) **United States Design Patent**
Matsumoto

(10) **Patent No.:** **US D761,904 S**
(45) **Date of Patent:** **** Jul. 19, 2016**

- (54) **PRINTER**
- (71) Applicants: **CITIZEN HOLDINGS CO., LTD.**,
Tokyo (JP); **CITIZEN SYSTEMS**
JAPAN CO., LTD., Tokyo (JP)
- (72) Inventor: **Kazuya Matsumoto**, Tokyo (JP)
- (73) Assignees: **Citizen Holdings Co., Ltd** (JP); **Citizen**
Systems Japan Co., Ltd (JP)
- (**) Term: **14 Years**
- (21) Appl. No.: **29/499,400**
- (22) Filed: **Aug. 14, 2014**
- (30) **Foreign Application Priority Data**
Feb. 28, 2014 (JP) 2014-004379
- (51) **LOC (10) Cl.** **14-02**
- (52) **U.S. Cl.**
USPC **D18/50**
- (58) **Field of Classification Search**
USPC D18/14, 19, 36-9, 5, 54, 54.1, 55;
D14/420-425, 462-470, 506; 400/613,
400/613.1-613.4, 690.1-690.4, 691-694
CPC B41J 3/4074; B41J 11/58; B41J 13/00;
B41J 13/106; B41J 15/12; B41J 17/00;
B41J 29/02; B41J 29/08
See application file for complete search history.

(56) **References Cited**

U.S. PATENT DOCUMENTS

D194,080	S	*	11/1962	Hanson et al.	D18/37
D235,230	S	*	5/1975	Herr et al.	D18/37
D299,435	S	*	1/1989	Kuwa	D10/46
5,746,528	A		5/1998	Mayer et al.		
D431,261	S		9/2000	Haas et al.		
6,132,122	A		10/2000	Robinson et al.		
D528,587	S	*	9/2006	Nakaeda	D18/19

7,536,045	B2	*	5/2009	Alessi	G06K 9/00 382/129
D607,507	S	*	1/2010	Kimura	D18/55
D622,760	S		8/2010	Kimura et al.		
D636,018	S	*	4/2011	Kimura	D18/50
8,038,145	B2	*	10/2011	Hirabayashi	B41J 13/106 271/207
D694,318	S		11/2013	Jihoon et al.		

OTHER PUBLICATIONS

Final Office Action for U.S. Appl. No. 29/499,394, mailing date Jan. 6, 2016.
Final Office Action for U.S. Appl. No. 29/499,395, mailing date Jan. 22, 2016.
Entire patent prosecution history of U.S. Appl. No., 29/499,394, filed Aug. 14, 2014, entitled, "Printer."
Entire patent prosecution history of U.S. Appl. No., 29/499,395, filed Aug. 14, 2014, entitled, "Printer."

* cited by examiner

Primary Examiner — Cathy Anne MacCormac

(74) *Attorney, Agent, or Firm* — RatnerPrestia

(57) **CLAIM**

The ornamental design for a printer, as shown and described.

DESCRIPTION

FIG. 1 is a front perspective view of a printer showing our new design;
FIG. 2 is another front perspective view thereof;
FIG. 3 is a front view thereof;
FIG. 4 is a right side elevational view thereof;
FIG. 5 is a left side elevational view thereof;
FIG. 6 is a top plan view thereof; and,
FIG. 7 is a bottom plan view thereof.

The dashed broken lines depict environmental subject matter, are for illustrative purposes only and form no part of the claimed design. The dash-dot-dash broken lines define the bounds of the claim and form no part thereof.

1 Claim, 5 Drawing Sheets

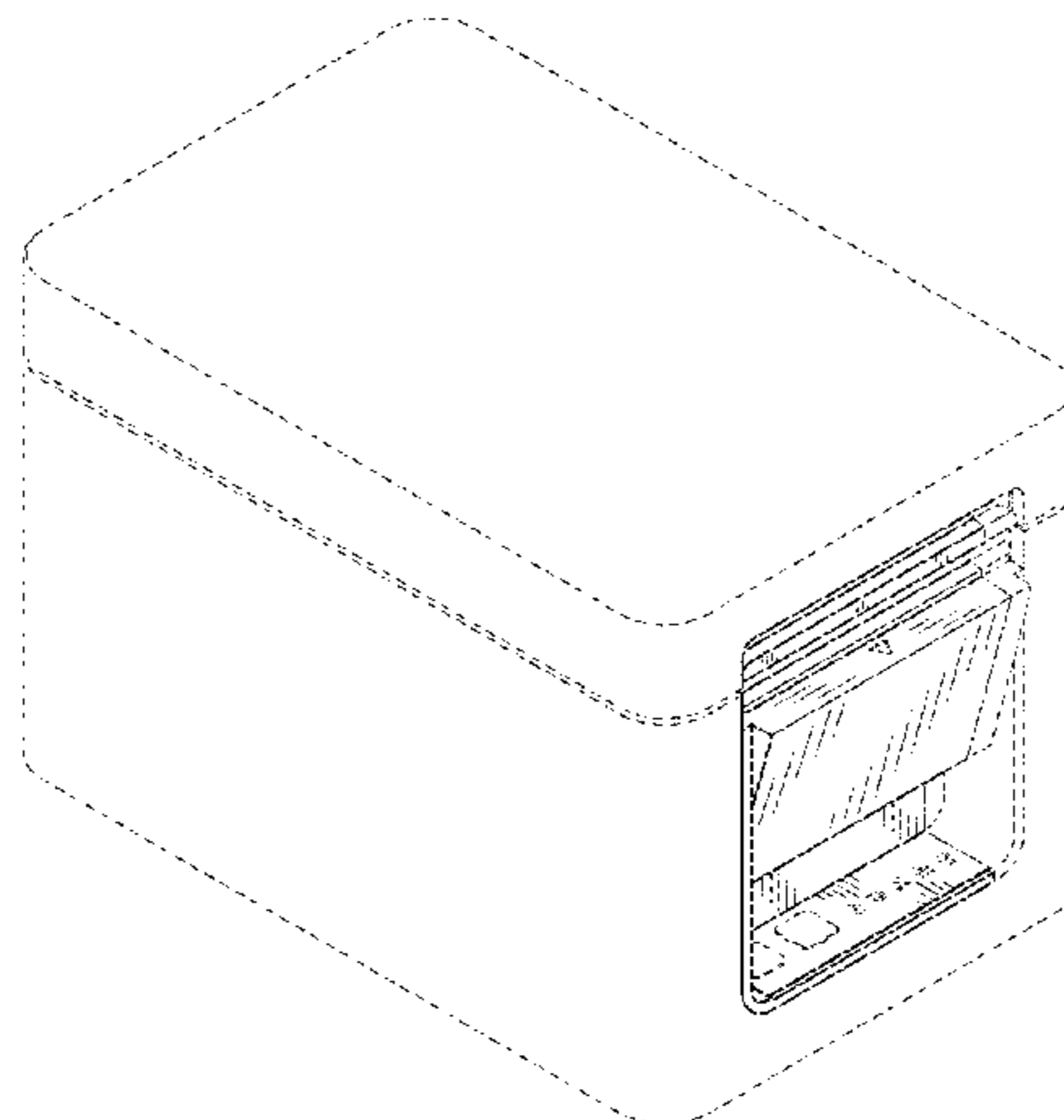


FIG. 1

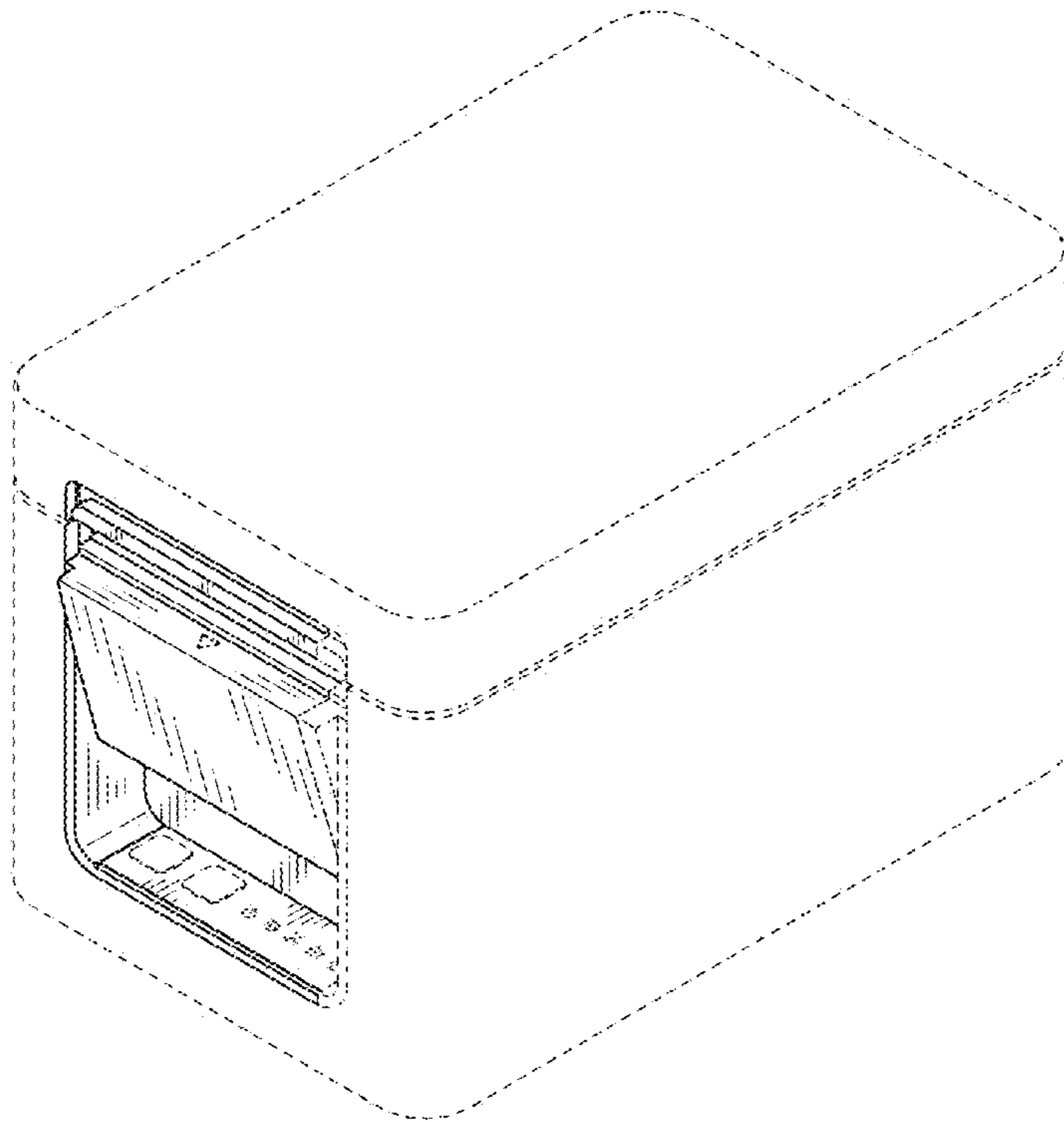


FIG.2

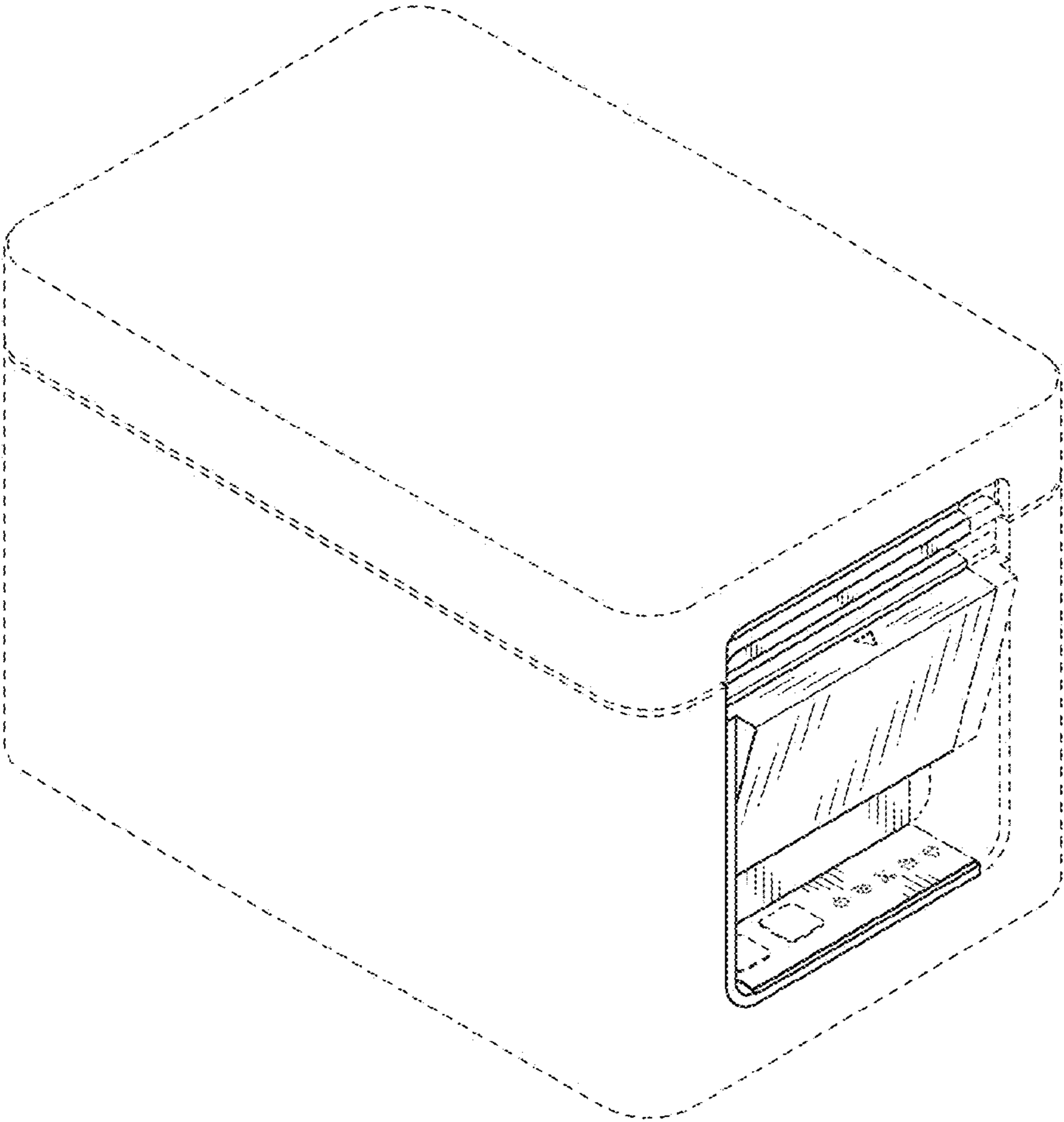


FIG.3

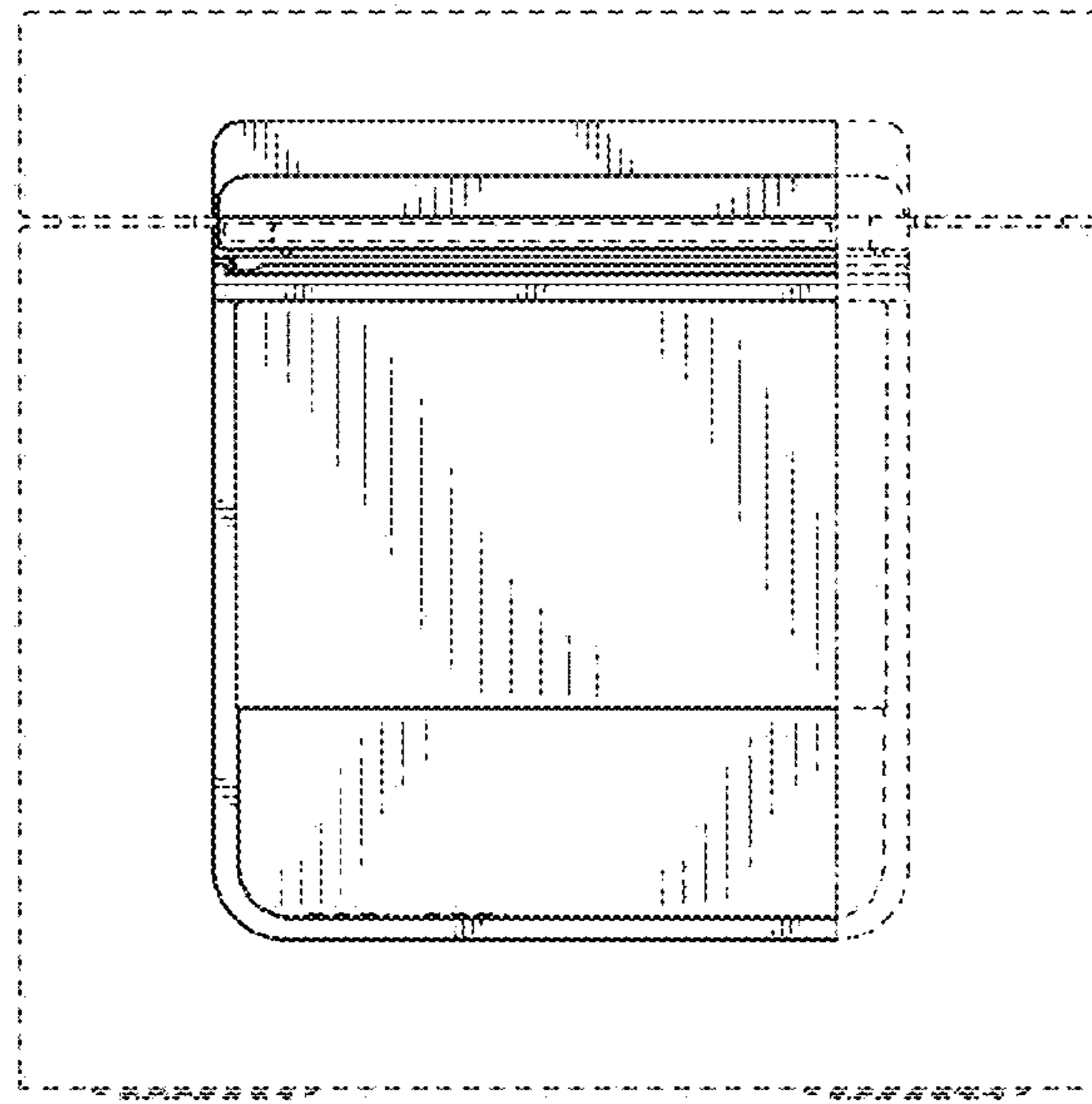


FIG.4

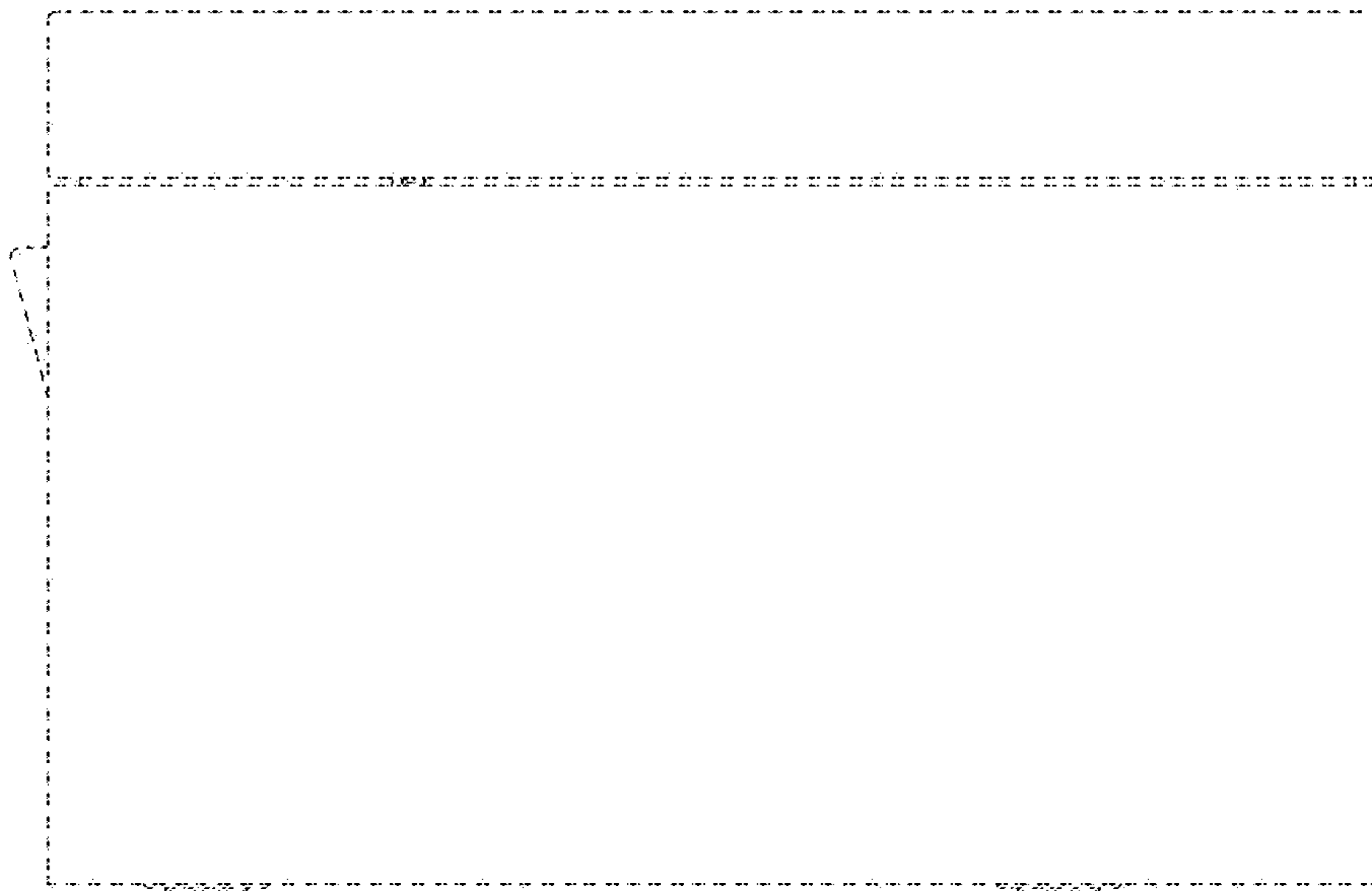


FIG.5



FIG.6

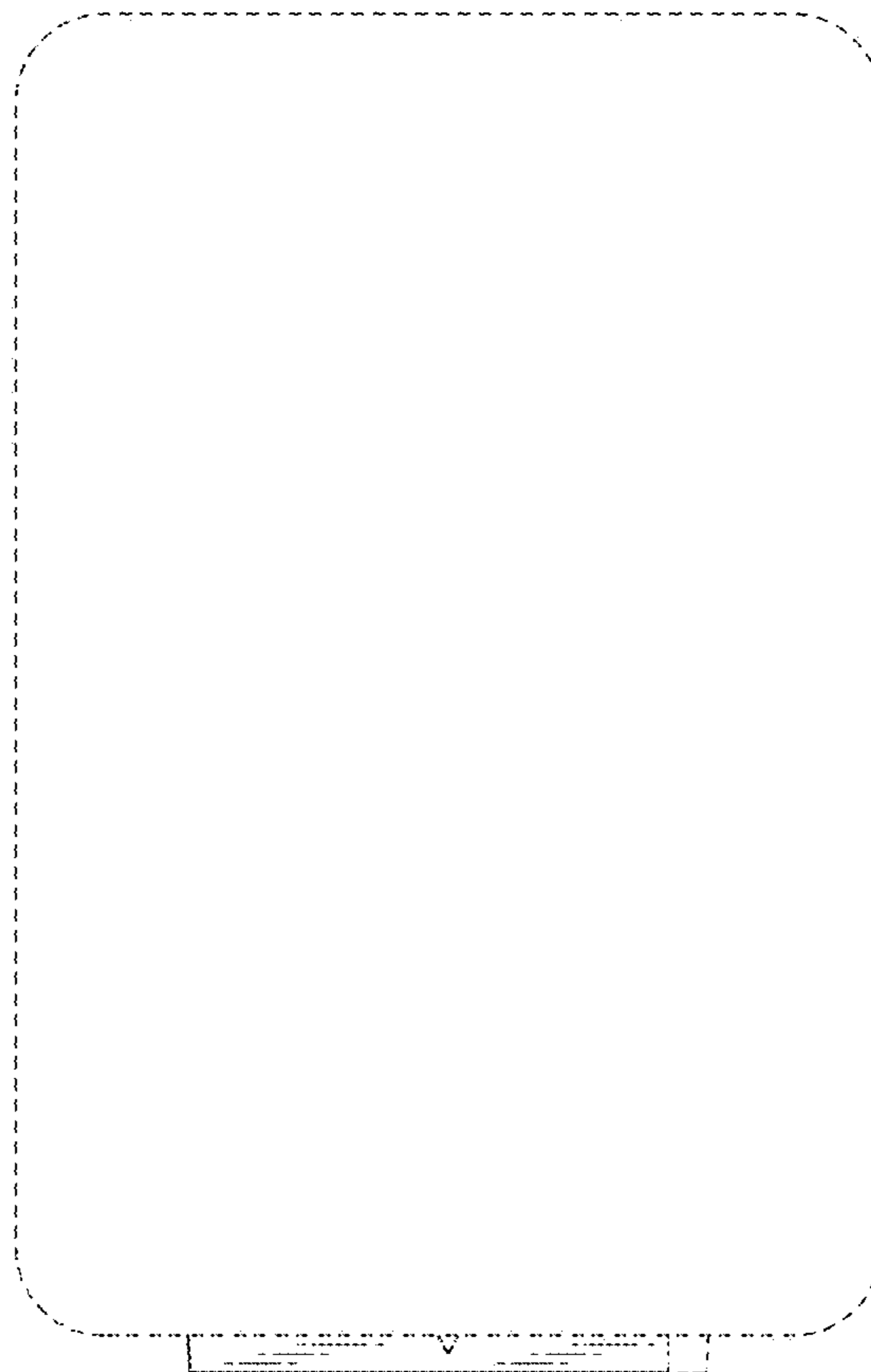


FIG.7

