



US00D761903S

(12) **United States Design Patent**
Matsumoto

(10) **Patent No.:** **US D761,903 S**
(45) **Date of Patent:** **** *Jul. 19, 2016**

- (54) **PRINTER**
- (71) Applicants: **CITIZEN HOLDINGS CO., LTD.**,
Tokyo (JP); **CITIZEN SYSTEMS**
JAPAN CO., LTD., Tokyo (JP)
- (72) Inventor: **Kazuya Matsumoto**, Tokyo (JP)
- (73) Assignees: **Citizen Holdings Co., Ltd** (JP); **Citizen**
Systems Japan Co., Ltd (JP)
- (*) Notice: This patent is subject to a terminal disclaimer.
- (**) Term: **14 Years**
- (21) Appl. No.: **29/499,395**
- (22) Filed: **Aug. 14, 2014**

- (30) **Foreign Application Priority Data**
Feb. 28, 2014 (JP) 2014-004378
- (51) **LOC (10) Cl.** **18-02**
- (52) **U.S. Cl.**
USPC **D18/50**
- (58) **Field of Classification Search**
USPC D18/14, 19, 36-9, 5, 54, 54.1, 55;
D14/420-425, 462-470; 400/613,
400/613.1-613.4, 690.1-690.4, 691-694
CPC B41J 3/4074; B41J 11/58; B41J 13/00;
B41J 13/106; B41J 15/12; B41J 17/00;
B41J 29/02; B41J 29/08
See application file for complete search history.

- (56) **References Cited**
U.S. PATENT DOCUMENTS
D194,080 S * 11/1962 Hanson et al. D18/37
D235,230 S * 5/1975 Herr et al. D18/37
D299,435 S * 1/1989 Kuwa D18/55

- 5,746,528 A * 5/1998 Mayer B41J 11/58
271/164
- D431,261 S * 9/2000 Haas D18/50
- 6,132,122 A * 10/2000 Robinson B41J 13/00
400/691
- D528,587 S 9/2006 Nakaeda
- 7,536,045 B2 5/2009 Alessi
- D607,507 S * 1/2010 Kimura D18/55
- D622,760 S * 8/2010 Kimura D18/50
- D636,018 S * 4/2011 Kimura D18/50
- 8,038,145 B2 * 10/2011 Hirabayashi B41J 13/106
271/207
- D694,318 S * 11/2013 Jihoon D18/50

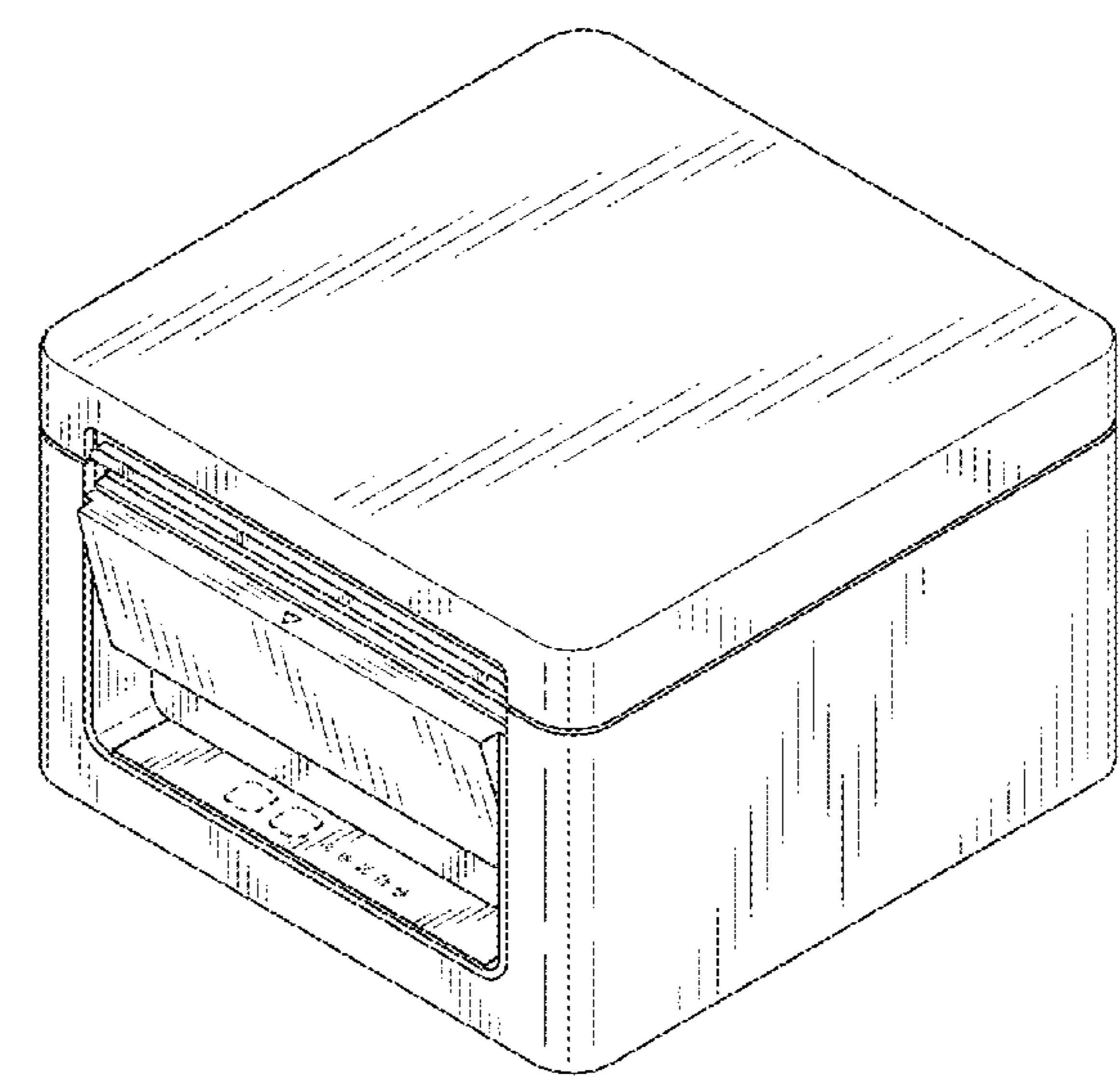
OTHER PUBLICATIONS
Entire patent prosecution history of U.S. Appl. No. 29/499,394, filed Aug. 14, 2014, entitled, "Printer."
Entire patent prosecution history of U.S. Appl. No. 29/499,400, filed Aug. 14, 2014, entitled, "Printer."

(Continued)
Primary Examiner — Cathy Anne MacCormac
(74) *Attorney, Agent, or Firm* — RatnerPrestia

(57) **CLAIM**
The ornamental design for a printer, as shown and described.

DESCRIPTION
FIG. 1 is a front perspective view of a printer showing our new design;
FIG. 2 is a rear perspective view thereof;
FIG. 3 is a front view thereof;
FIG. 4 is a right side elevational view thereof; left side elevational view is a mirror image of the right side elevational view;
FIG. 5 is a rear view thereof;
FIG. 6 is a top plan view thereof; and,
FIG. 7 is a bottom plan view thereof.
The broken lines depict environmental subject matter, are for illustrative purposes only and form no part of the claimed design.

1 Claim, 5 Drawing Sheets



(56)

References Cited

Final Office Action for U.S. Appl. No. 29/499,394, mailing date Jan.

OTHER PUBLICATIONS

6, 2016.

Final Office Action dated Jan. 20, 2016 for U.S. Appl. No.
29/499,400.

* cited by examiner

FIG.1

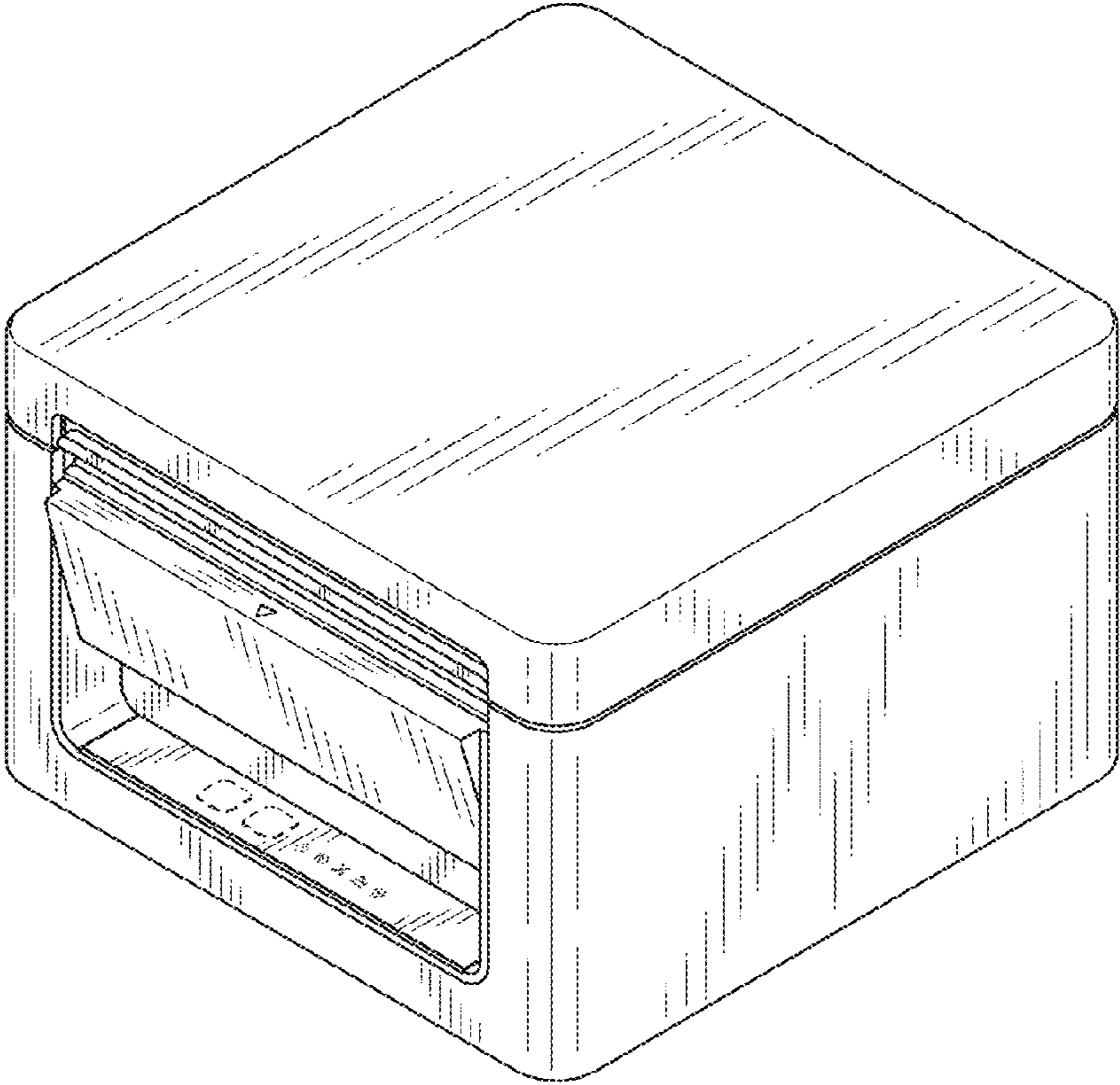


FIG.2

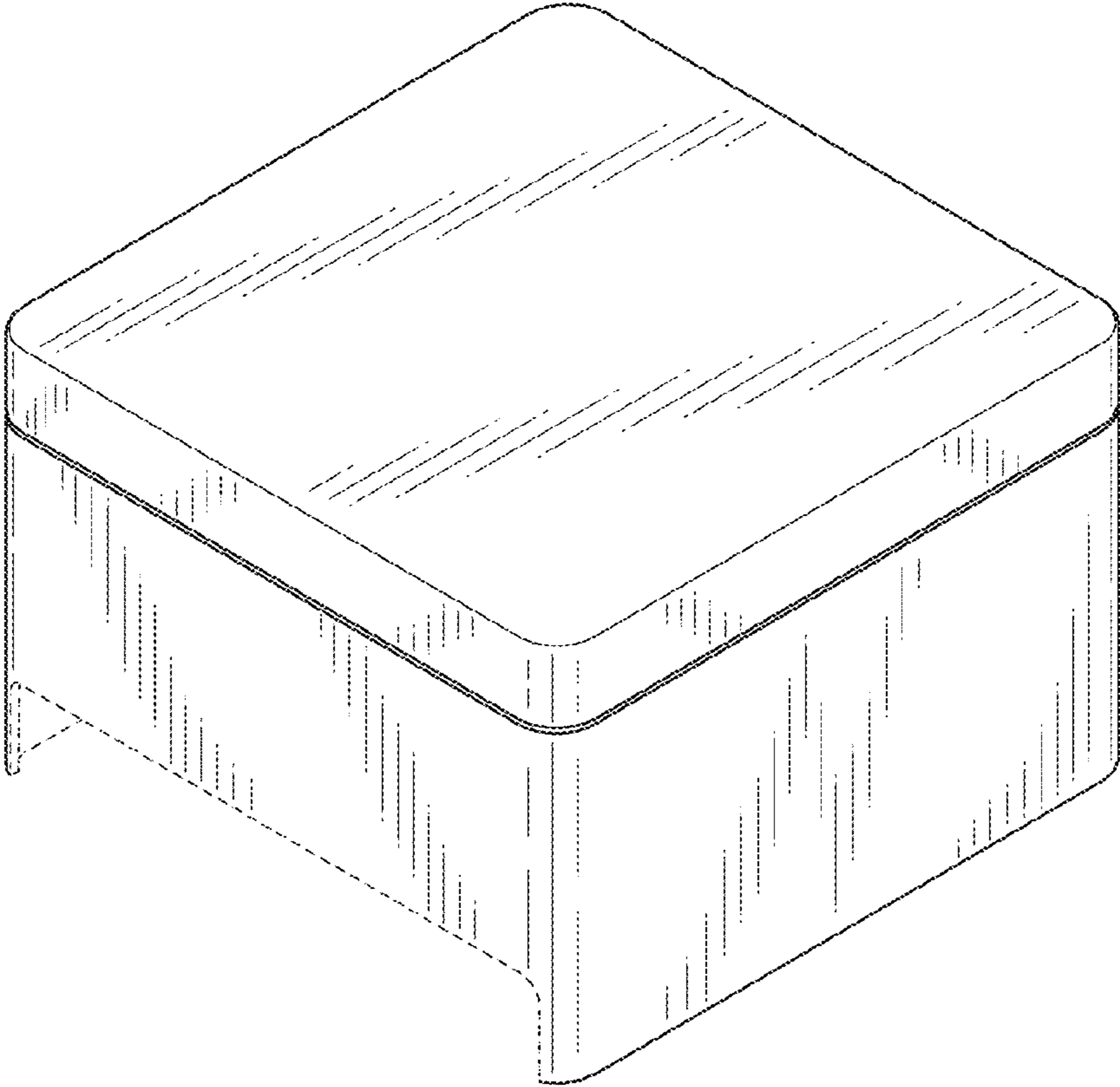


FIG.3

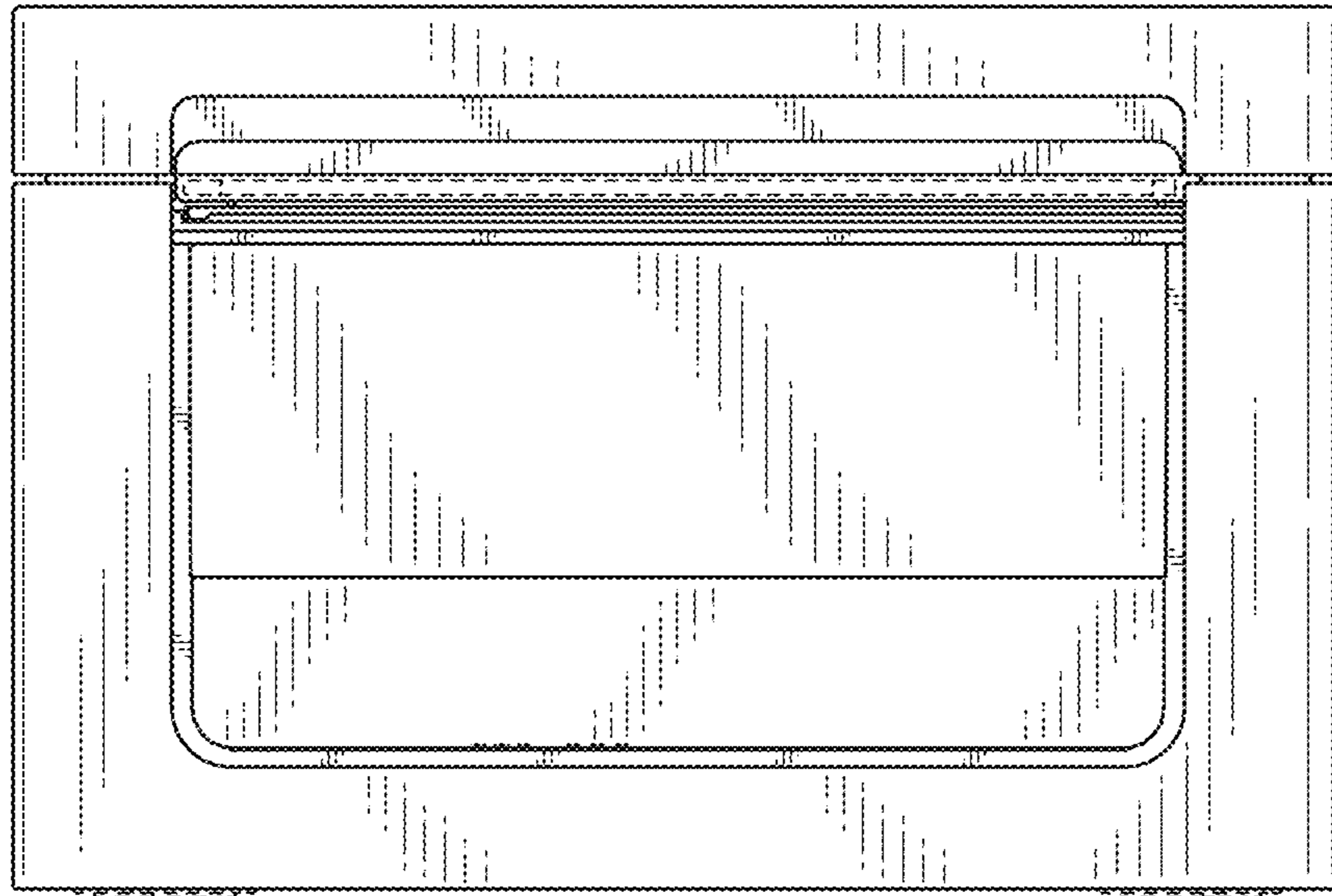


FIG.4

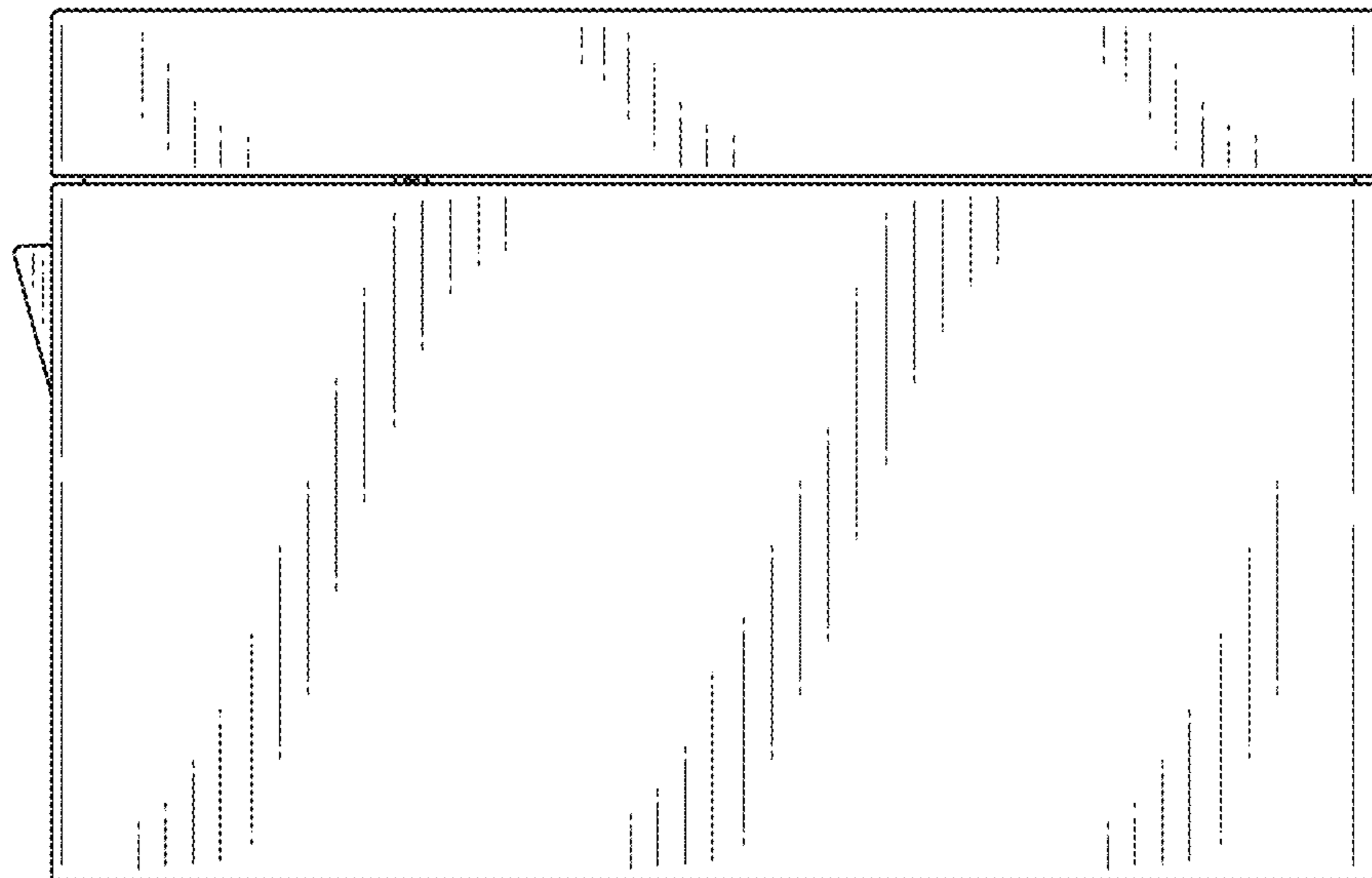


FIG.5

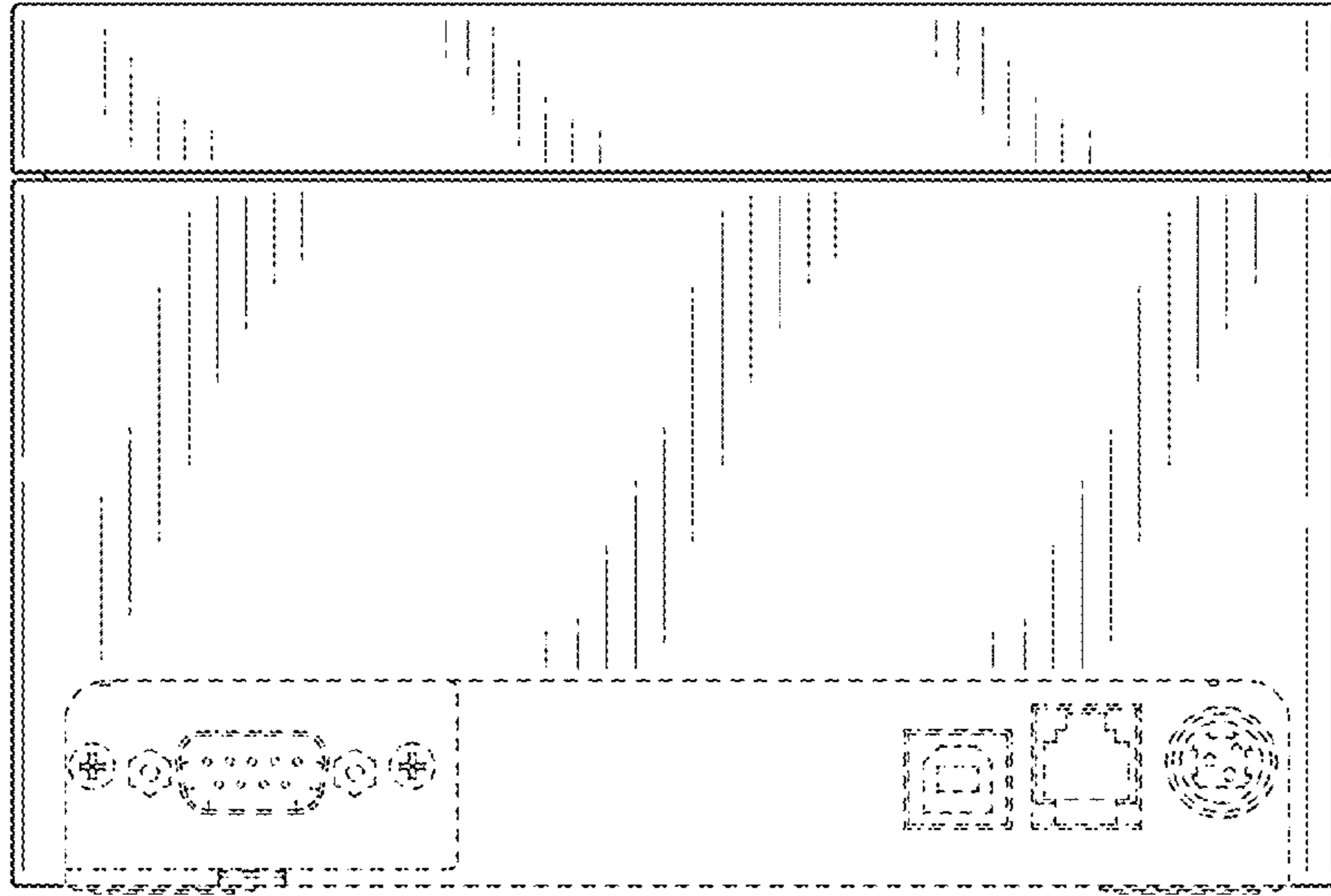


FIG.6

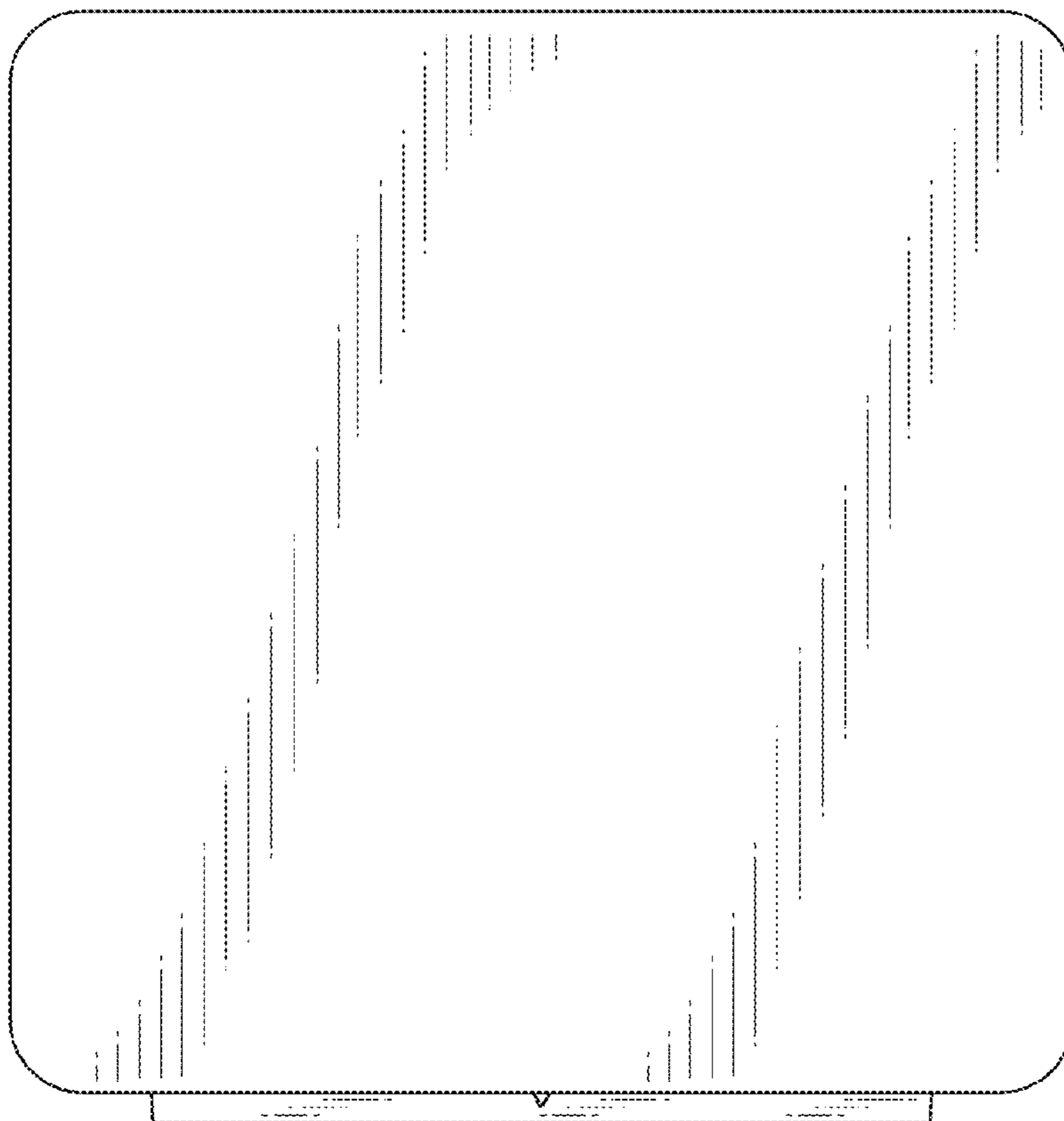


FIG.7

