



US00D761901S

(12) **United States Design Patent**
Kim et al.

(10) **Patent No.:** **US D761,901 S**
(45) **Date of Patent:** **** Jul. 19, 2016**

(54) **DISPLAY DEVICE FOR MULTI-FUNCTION PRINTER**

(71) Applicant: **Samsung Electronics Co., Ltd.**,
Suwon-si (KR)
(72) Inventors: **Kyong-Hwan Kim**, Seoul (KR); **Naoto Fukasawa**, Tokyo (JP); **Isogai Yoshitaka**, Seongnam-si (KR); **Min-Chul Kim**, Seoul (KR); **Seung-Wook Jeong**, Seoul (KR)
(73) Assignee: **Samsung Electronics Co., Ltd.**,
Suwon-si (KR)

(**) Term: **14 Years**

(21) Appl. No.: **29/517,999**

(22) Filed: **Feb. 19, 2015**

(30) **Foreign Application Priority Data**

Sep. 1, 2014 (KR) 30-2014-0042655

(51) **LOC (10) Cl.** **16-03**

(52) **U.S. Cl.**
USPC **D18/41; D14/371**

(58) **Field of Classification Search**
USPC D14/371-375, 125-129, 336, 337, 341, D14/388, 389; 341/12; 345/104, 156, 168, 345/173; 348/180, 184, 325, 739; 349/1, 2, 349/11, 62; 361/679.05-679.07, 679.21; D6/300, 308; D18/41, 53

CPC G06F 1/16; G06F 1/1601; G06F 3/037; G06F 1/162; F16M 11/02; F16M 11/10; F16M 11/00; G03G 15/5016; G03G 15/5062

See application file for complete search history.

(56) **References Cited**

U.S. PATENT DOCUMENTS

| | | | | |
|-------------------|---------|----------|-------|-------------------------|
| D450,082 S * | 11/2001 | Kusanagi | | D18/53 |
| 6,741,818 B1 * | 5/2004 | Penke | | G03G 15/5016 399/107 |
| D552,670 S * | 10/2007 | Watanabe | | D18/40 |
| D577,060 S * | 9/2008 | Isogai | | D18/41 |
| D605,221 S * | 12/2009 | Stenzel | | D18/53 |
| D605,690 S * | 12/2009 | Stenzel | | D18/53 |
| D624,959 S * | 10/2010 | Stenzel | | D18/53 |
| D628,199 S * | 11/2010 | Yukikado | | D14/371 |
| D628,913 S * | 12/2010 | Cheng | | D10/65 |
| D691,996 S * | 10/2013 | Ohshima | | D14/341 |
| 2003/0089010 A1 * | 5/2003 | Wechter | | G09F 25/00 40/584 |

* cited by examiner

Primary Examiner — Freda S Nunn

(74) *Attorney, Agent, or Firm* — NSIP Law

(57) **CLAIM**

We claim the ornamental design for a display device for multi-function printer, as shown and described.

DESCRIPTION

FIG. 1 is a front perspective view of a display device for multi-function printer showing our new design;

FIG. 2 is a front view thereof;

FIG. 3 is a rear view thereof;

FIG. 4 is a left-side view thereof;

FIG. 5 is a right-side view thereof;

FIG. 6 is a top view thereof;

FIG. 7 is a bottom view thereof; and,

FIG. 8 is a rear perspective view thereof.

The broken lines in the figures show portions of the display device for multi-function printer which form no part of the claimed design.

1 Claim, 4 Drawing Sheets

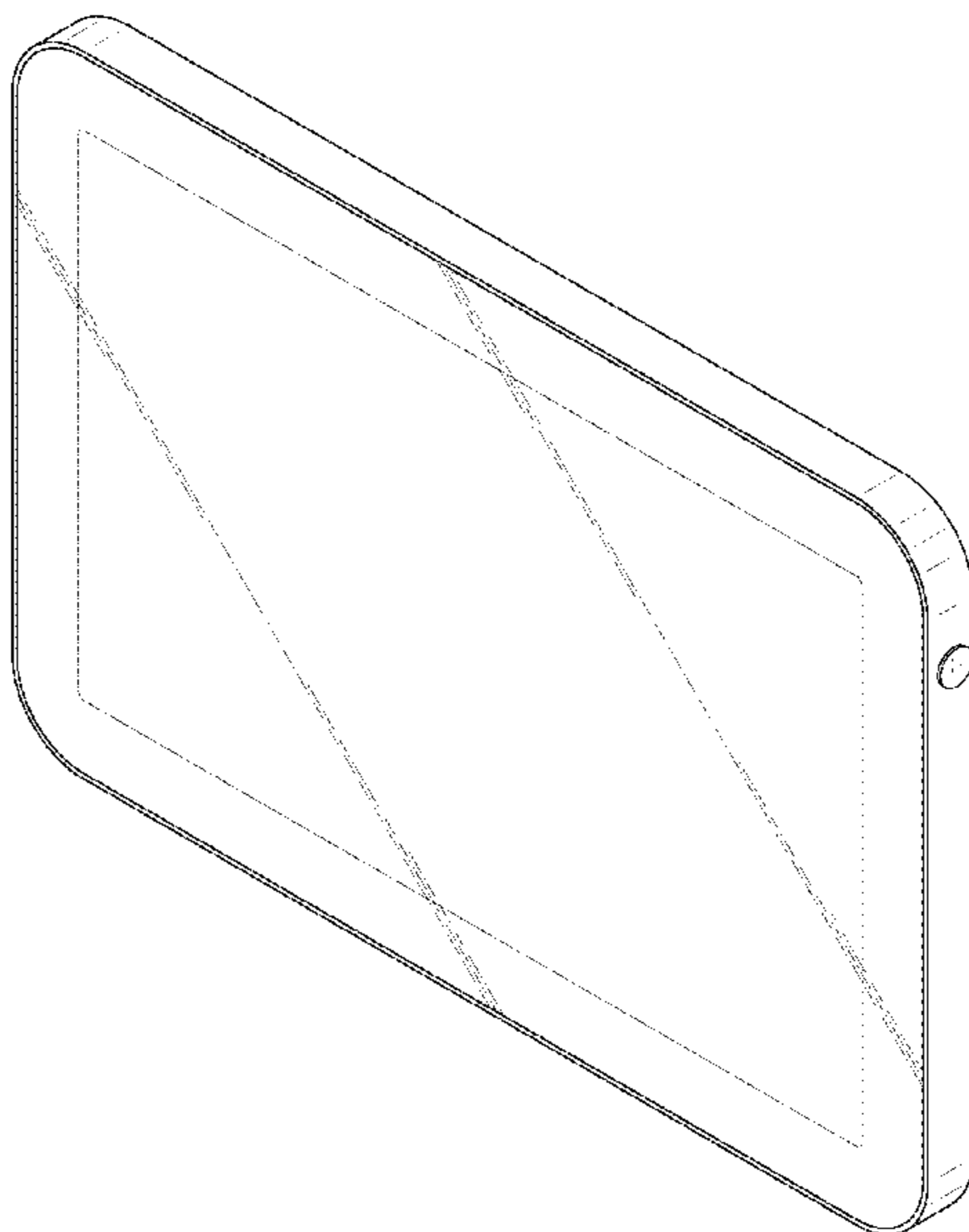


FIG. 1

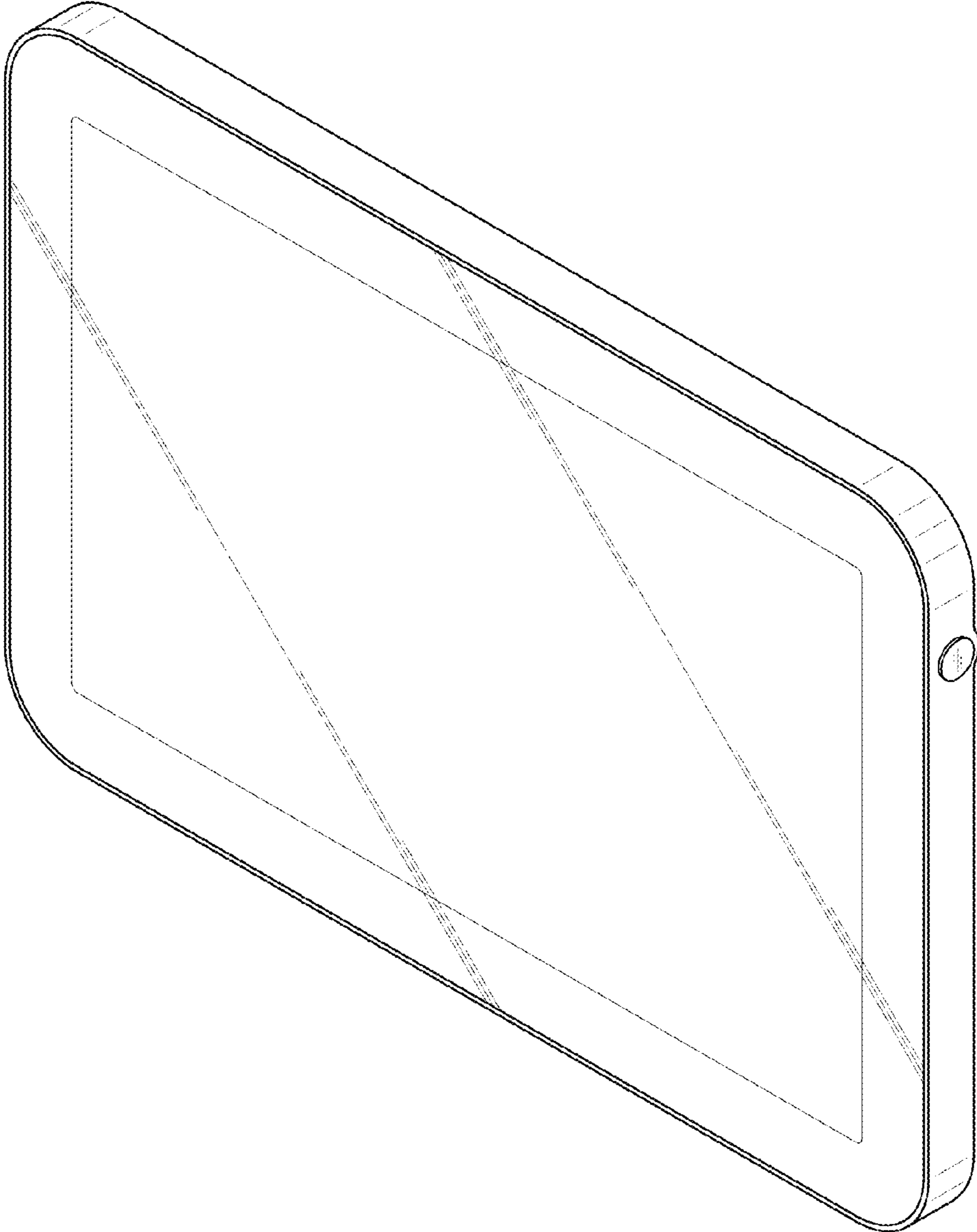


FIG.2

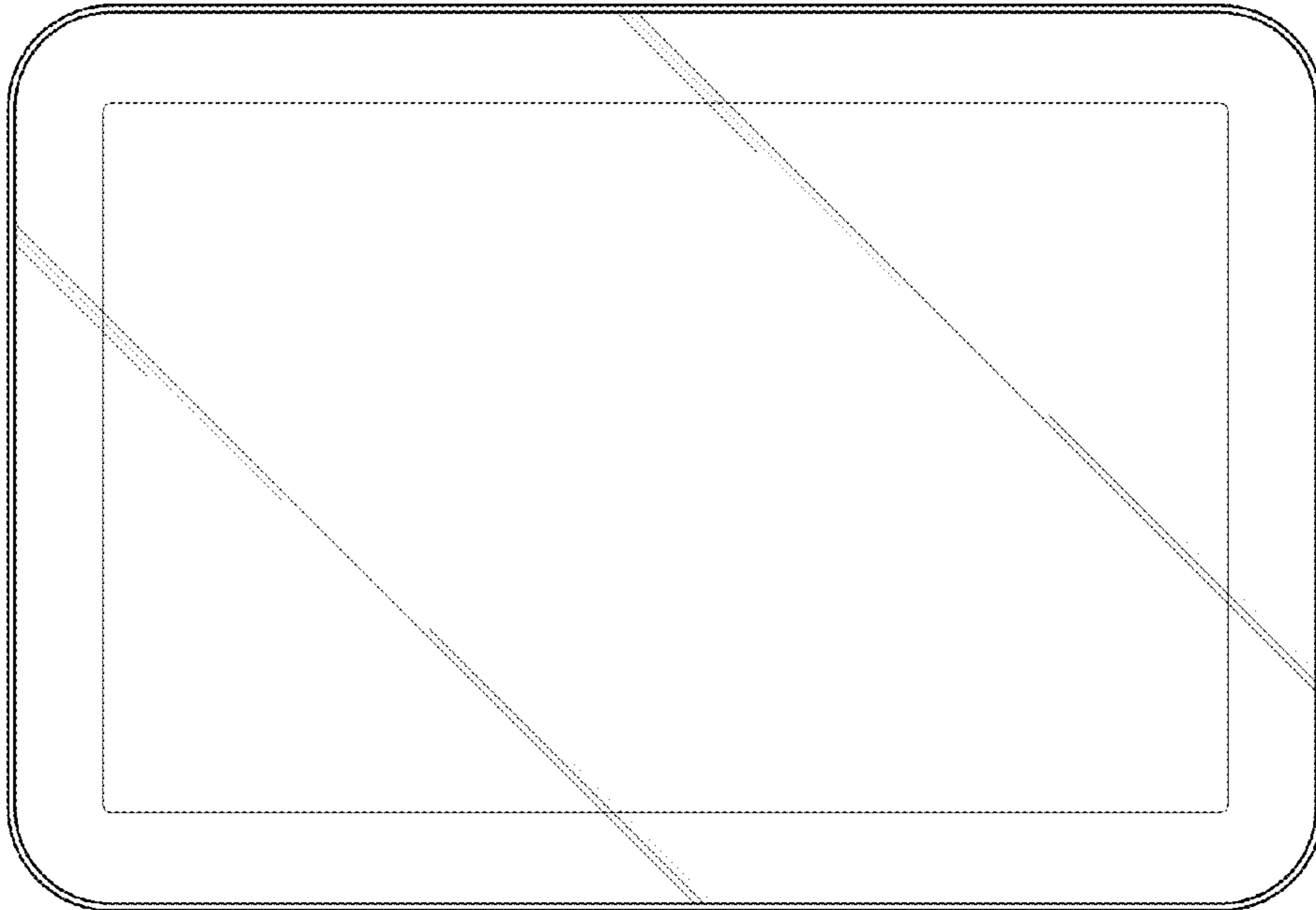


FIG.3

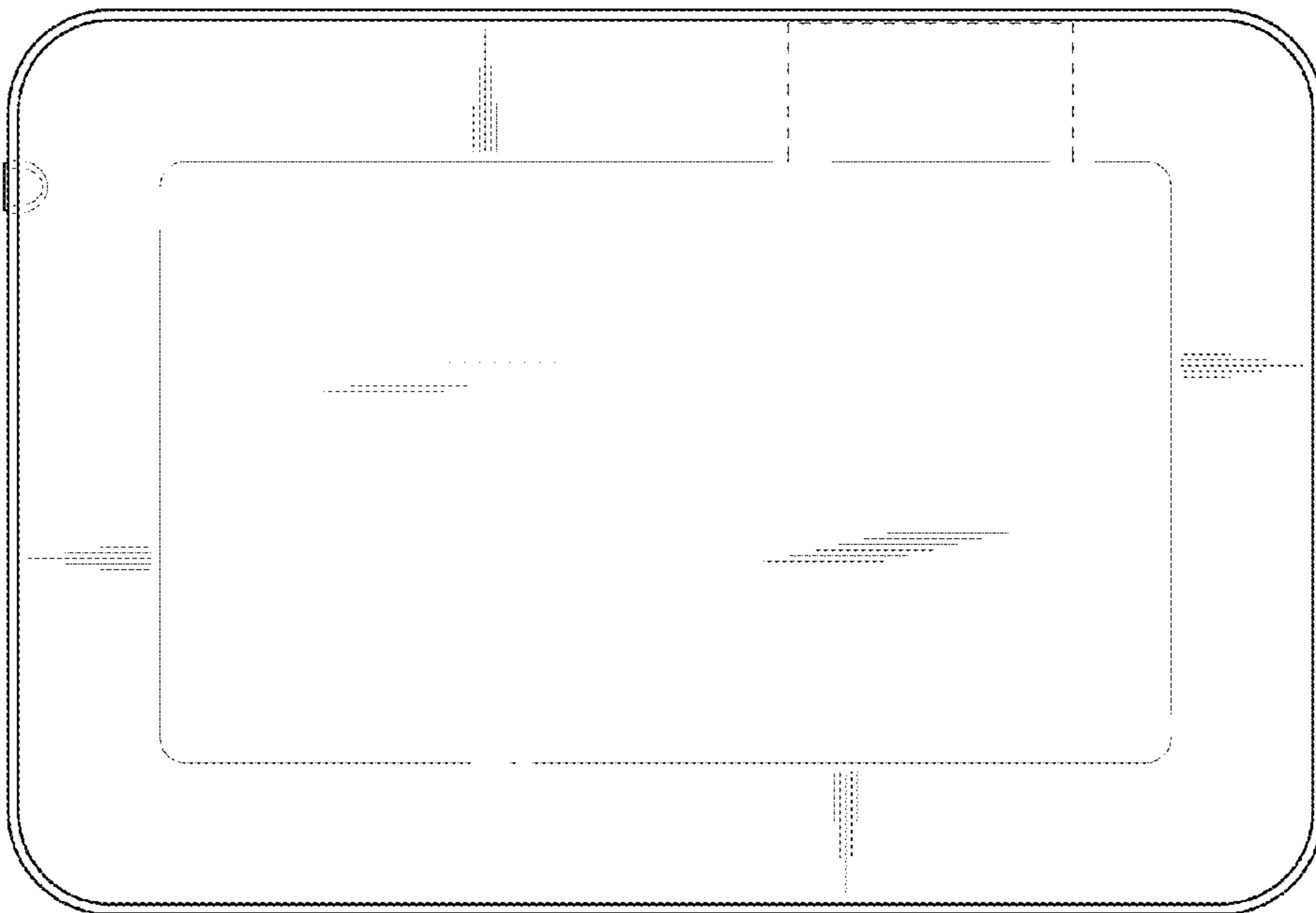


FIG.4



FIG.5

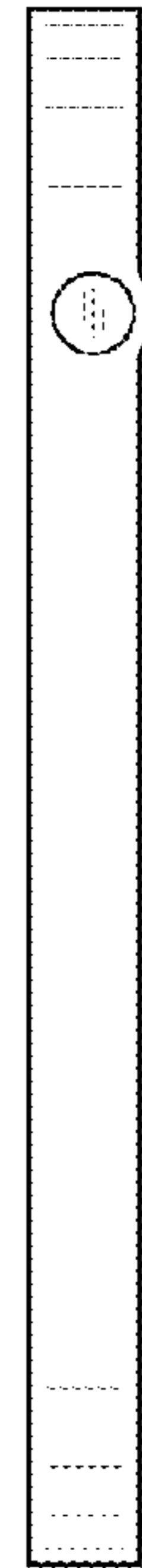


FIG.6



FIG.7



FIG.8

