



US00D761899S

(12) **United States Design Patent**
Beatty et al.

(10) **Patent No.:** **US D761,899 S**
(45) **Date of Patent:** **** Jul. 19, 2016**

(54) **HANDHELD POINT-OF-SALE TERMINAL**

(71) Applicant: **FIRST DATA CORPORATION**,
Greenwood Village, CO (US)

(72) Inventors: **John Beatty**, Mountain View, CA (US);
Leonard Speiser, Mountain View, CA
(US); **Eric Fuhs**, Mountain View, CA
(US); **Christopher Loew**, Palo Alto, CA
(US); **David Frederick Lyons**, Palo
Alto, CA (US)

(73) Assignee: **First Data Corporation**, Greenwood
Village, CO (US)

(**) Term: **14 Years**

(21) Appl. No.: **29/501,397**

(22) Filed: **Sep. 3, 2014**

(51) **LOC (10) Cl.** **18-01**

(52) **U.S. Cl.**
USPC **D18/4.6**

(58) **Field of Classification Search**
USPC D18/4.4, 4.5, 4.6, 12, 12.1, 12.3;
D14/383, 384, 385, 386, 378
CPC G06K 19/07749; G06K 19/0723;
G06K 19/041; G06K 19/07758; G06K
19/0775; G06K 19/07783; G06K 19/07794;
G06K 19/06046; G06K 19/07722; G06K
19/07773; G06K 19/07779; G06K 19/07784;
G06K 19/07786; G06K 19/0709; G06K
7/10178; G06K 7/10336; G06K 7/1096;
G06K 13/067; G06K 13/16; G06K 17/00;
G06K 17/0006; G06K 17/0022; G06K
17/0025; G06K 19/02; G06K 19/06; G06K
19/06028; G06K 19/0614; G06K 19/06206;
G06K 19/067

See application file for complete search history.

(56) **References Cited**

U.S. PATENT DOCUMENTS

D707,288	S	*	6/2014	Branck	D18/4.6
D709,069	S	*	7/2014	Cruz	D14/385
D720,000	S	*	12/2014	Lyons	D18/4.5
D725,182	S	*	3/2015	Haller	D18/11
D725,699	S	*	3/2015	Eun	D18/4.4
D735,802	S	*	8/2015	Lyons	D18/4.5

* cited by examiner

Primary Examiner — Daniel Bui

Assistant Examiner — Khawaja Anwar

(74) *Attorney, Agent, or Firm* — Sutherland Asbill &
Brennan LLP

(57) **CLAIM**

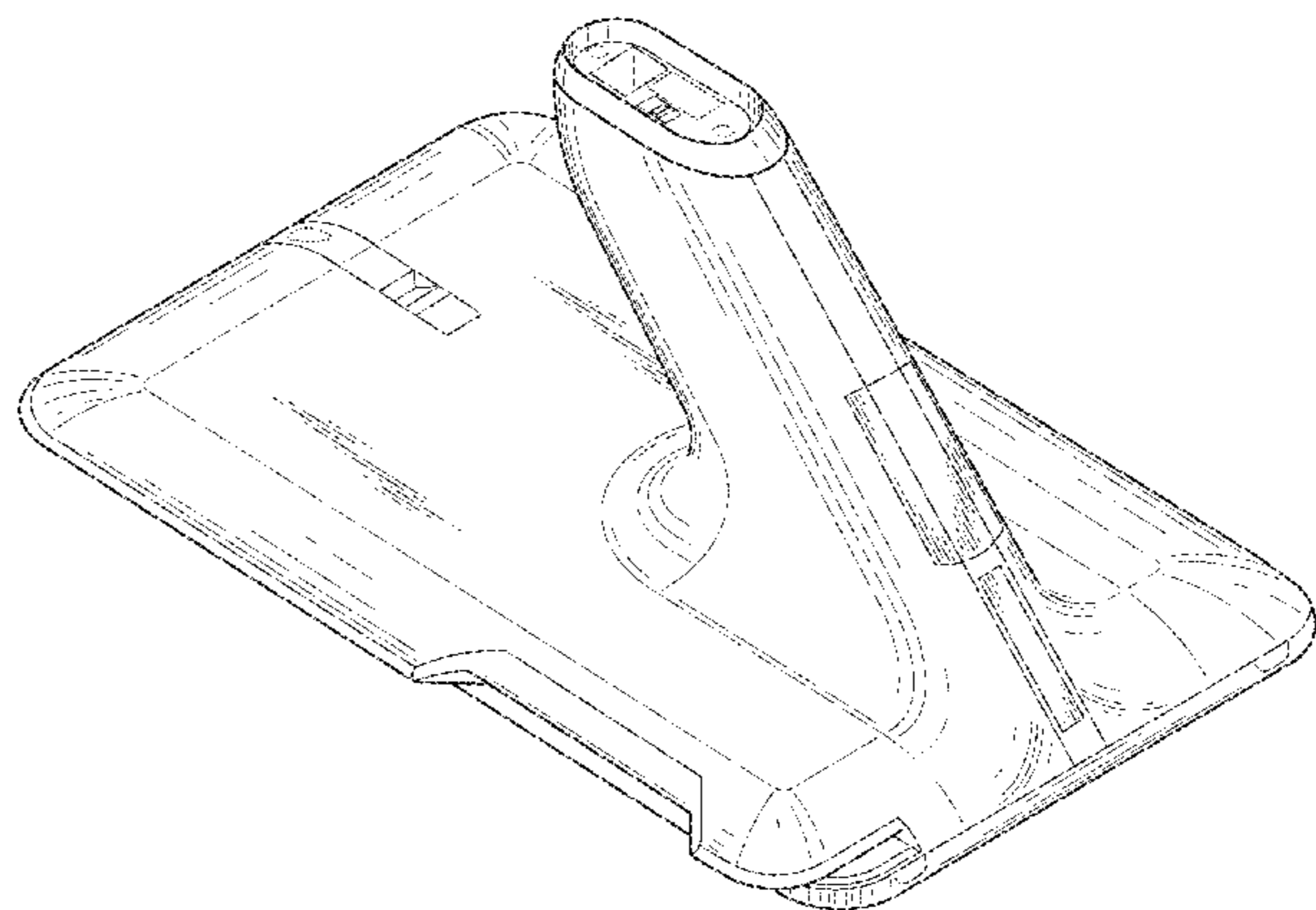
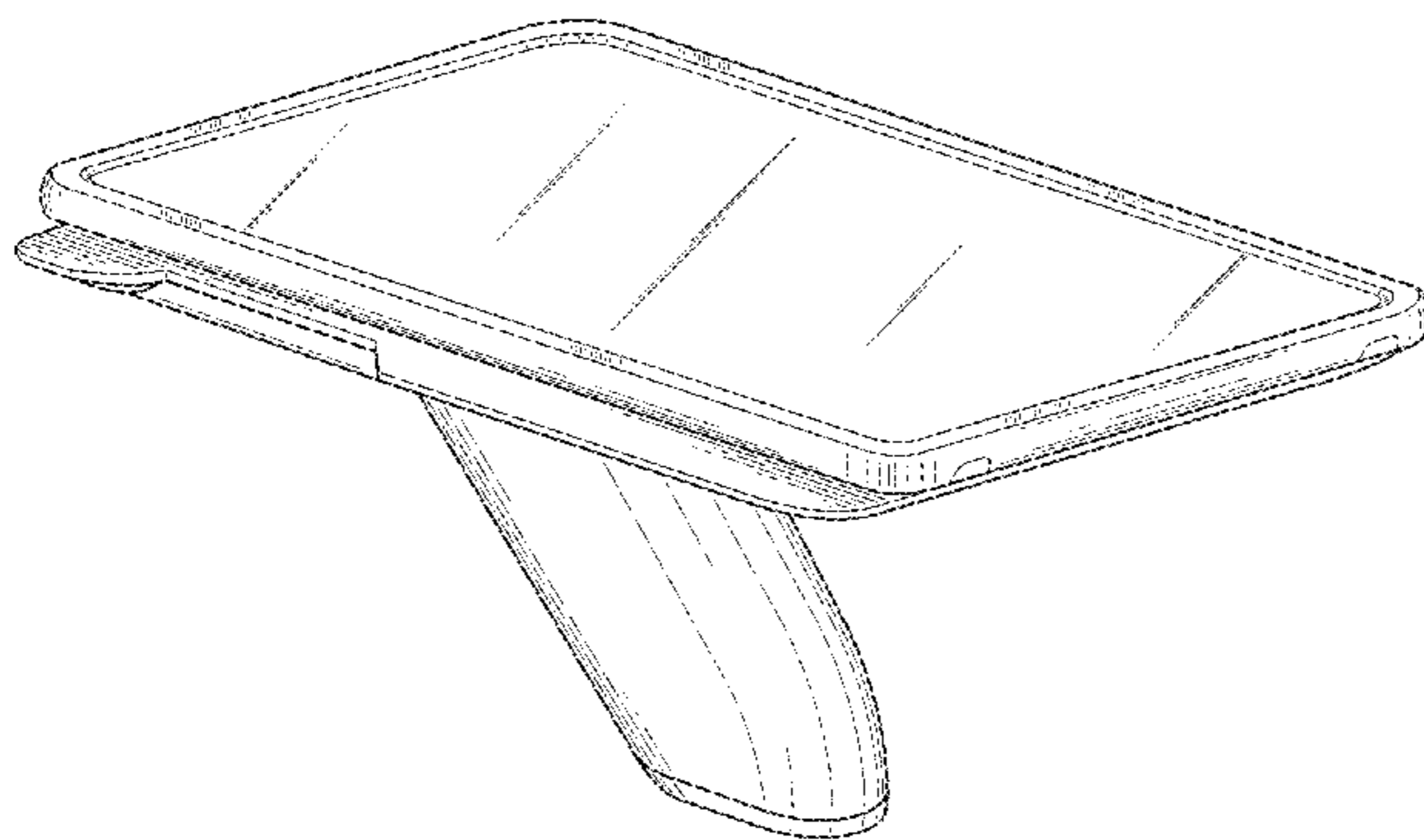
The ornamental design for a handheld point-of-sale terminal,
as shown and described.

DESCRIPTION

FIG. 1 is an upper right side perspective view of a handheld
point-of-sale terminal, showing our new design;
FIG. 2 is a lower right side perspective view thereof;
FIG. 3 is an upper left side perspective view thereof;
FIG. 4 is a lower left side perspective view thereof;
FIG. 5 is a rear view thereof;
FIG. 6 is a right side view thereof;
FIG. 7 is an upper view thereof; and,
FIG. 8 is a lower view thereof.

The broken lines in figure drawings represent unclaimed
environment only and form no part of the claimed design.
The claimed handheld point-of-sale terminal is used to pro-
cess point-of-sale transactions.

1 Claim, 7 Drawing Sheets



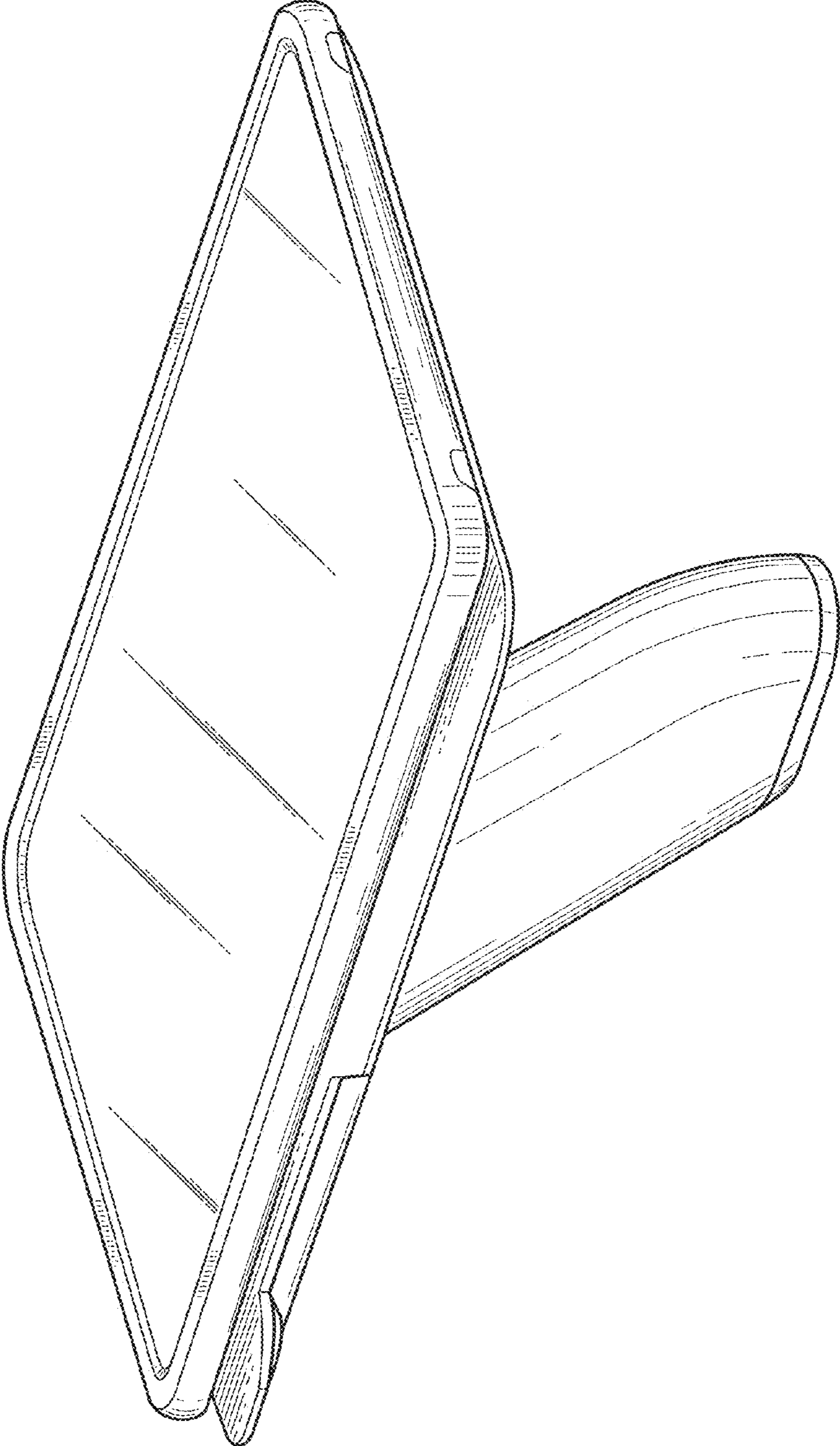


FIG. 1

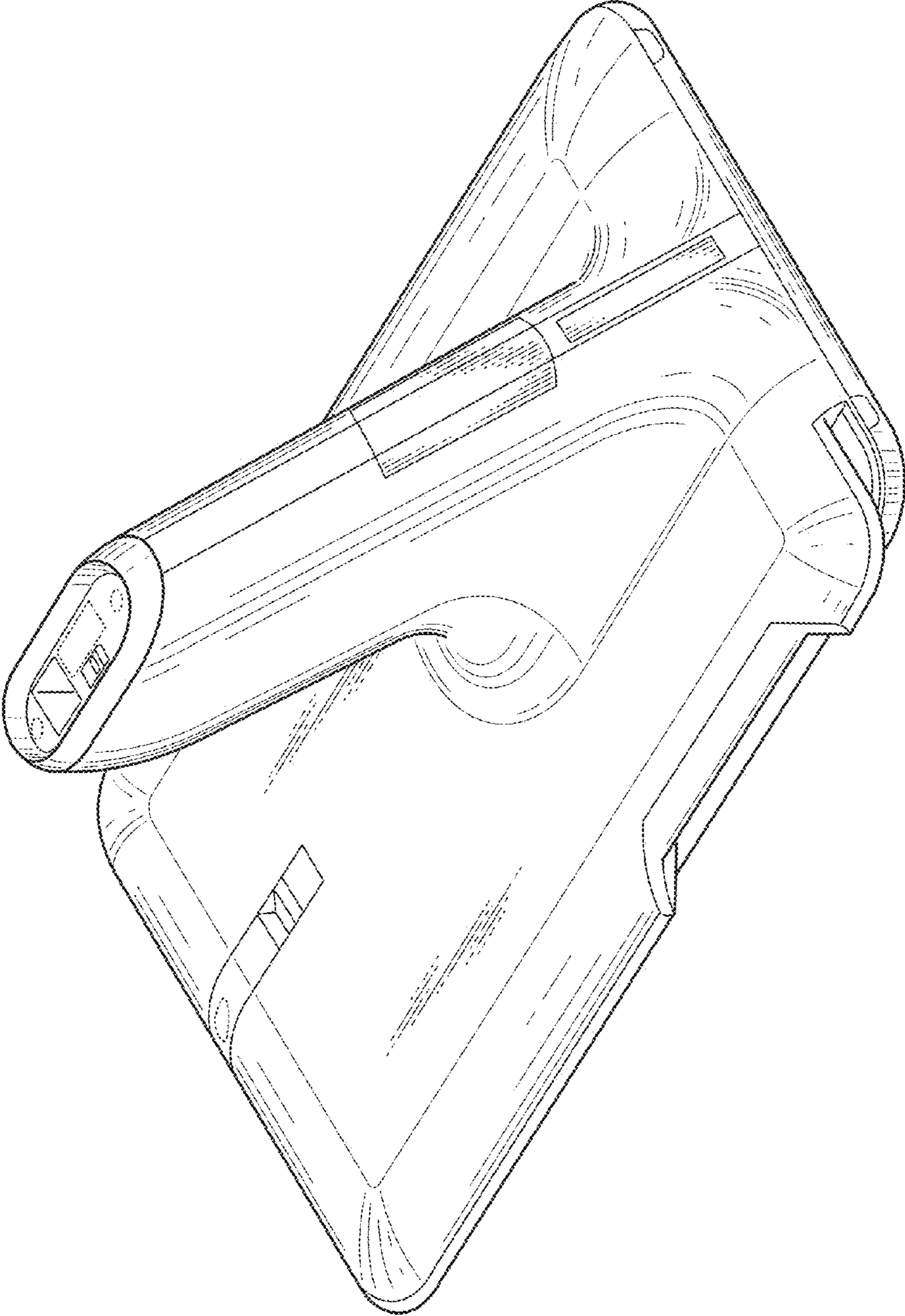


FIG. 2

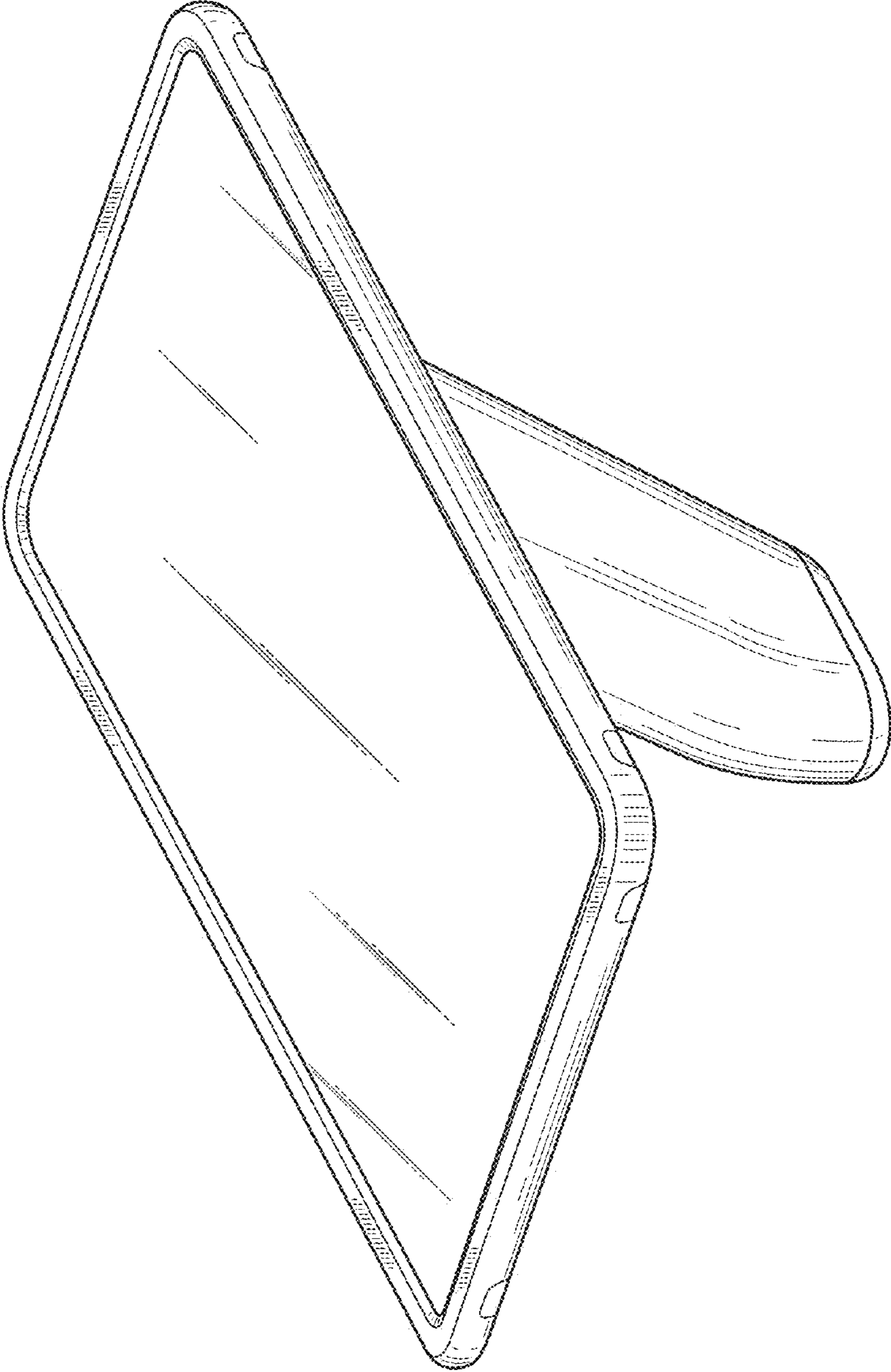


FIG. 3

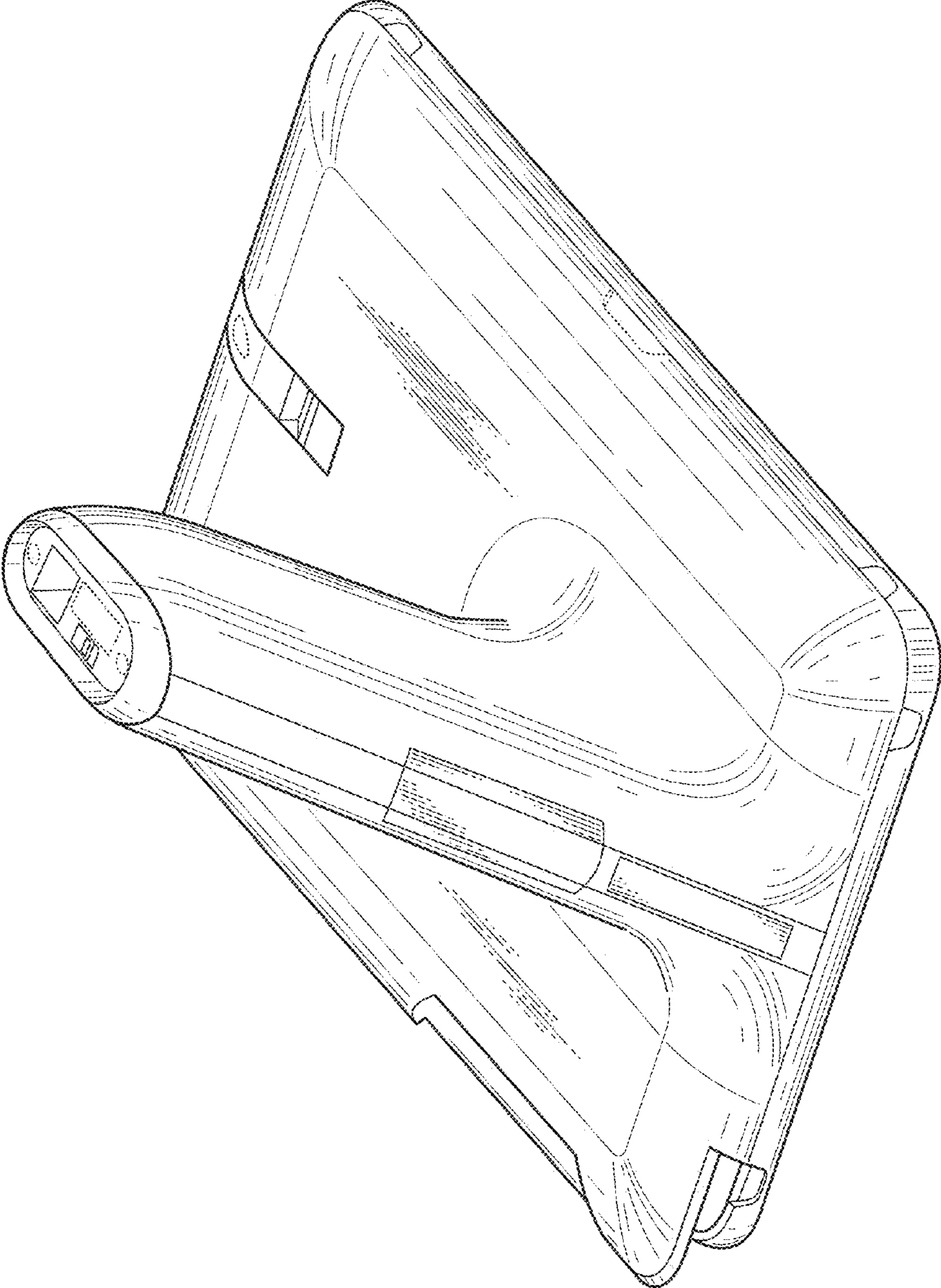


FIG. 4

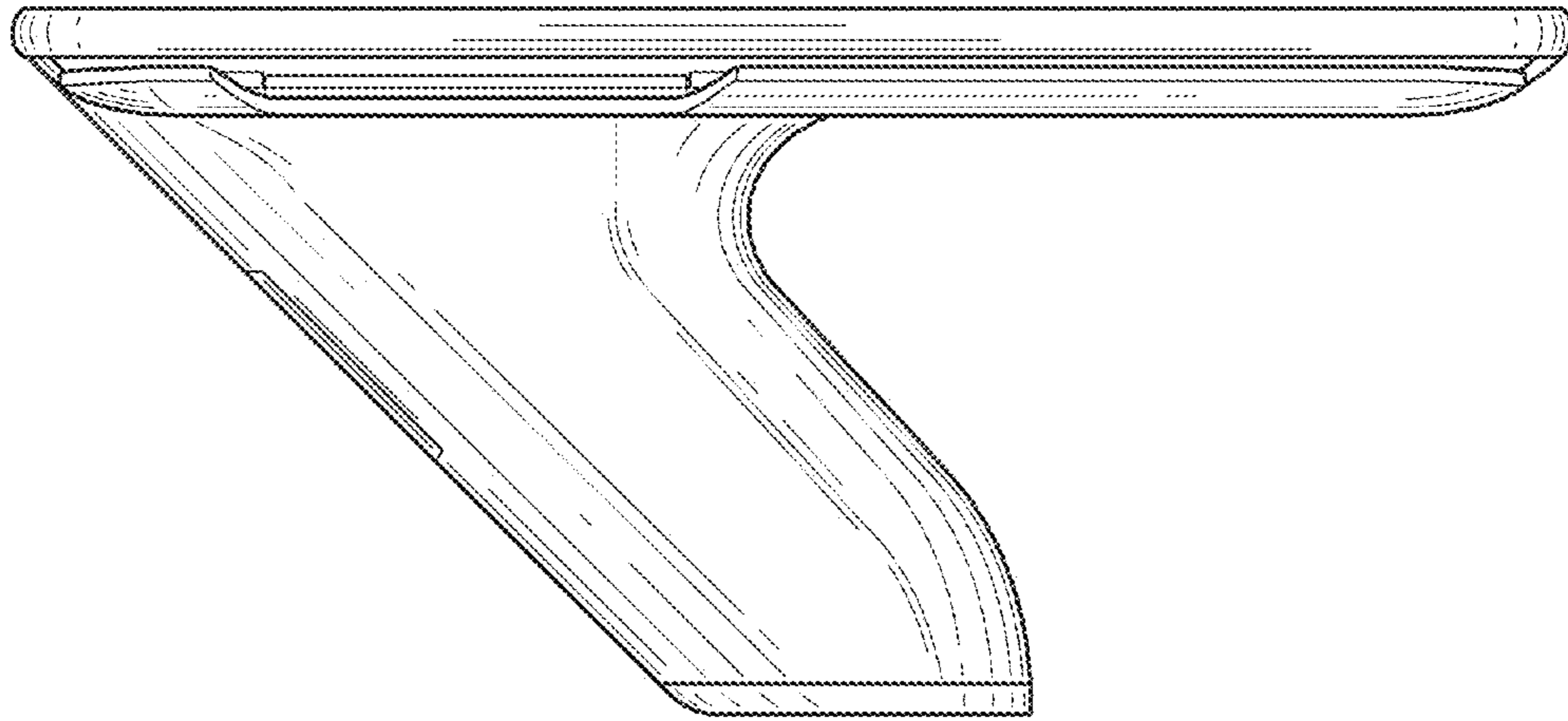


FIG. 6

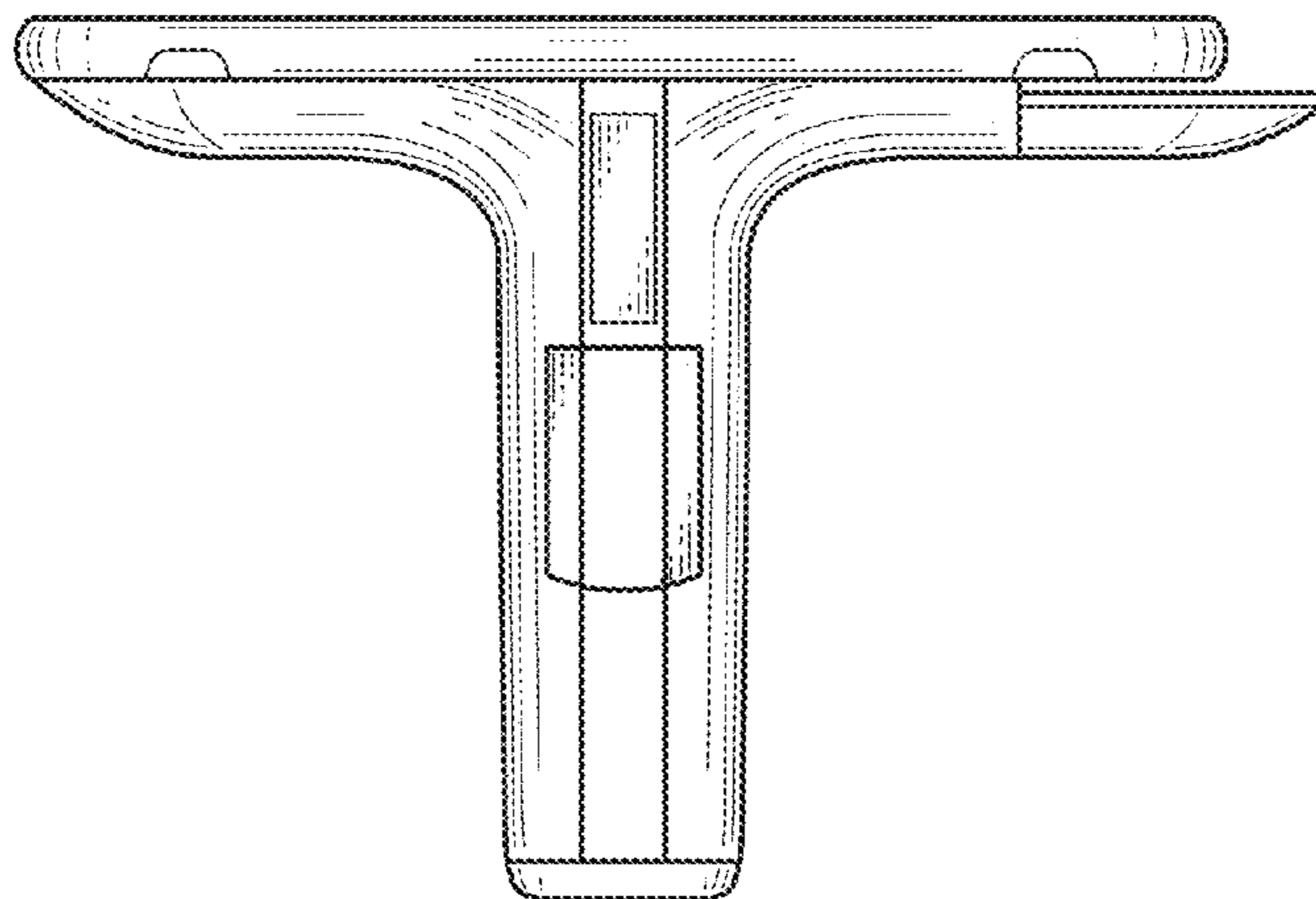


FIG. 5

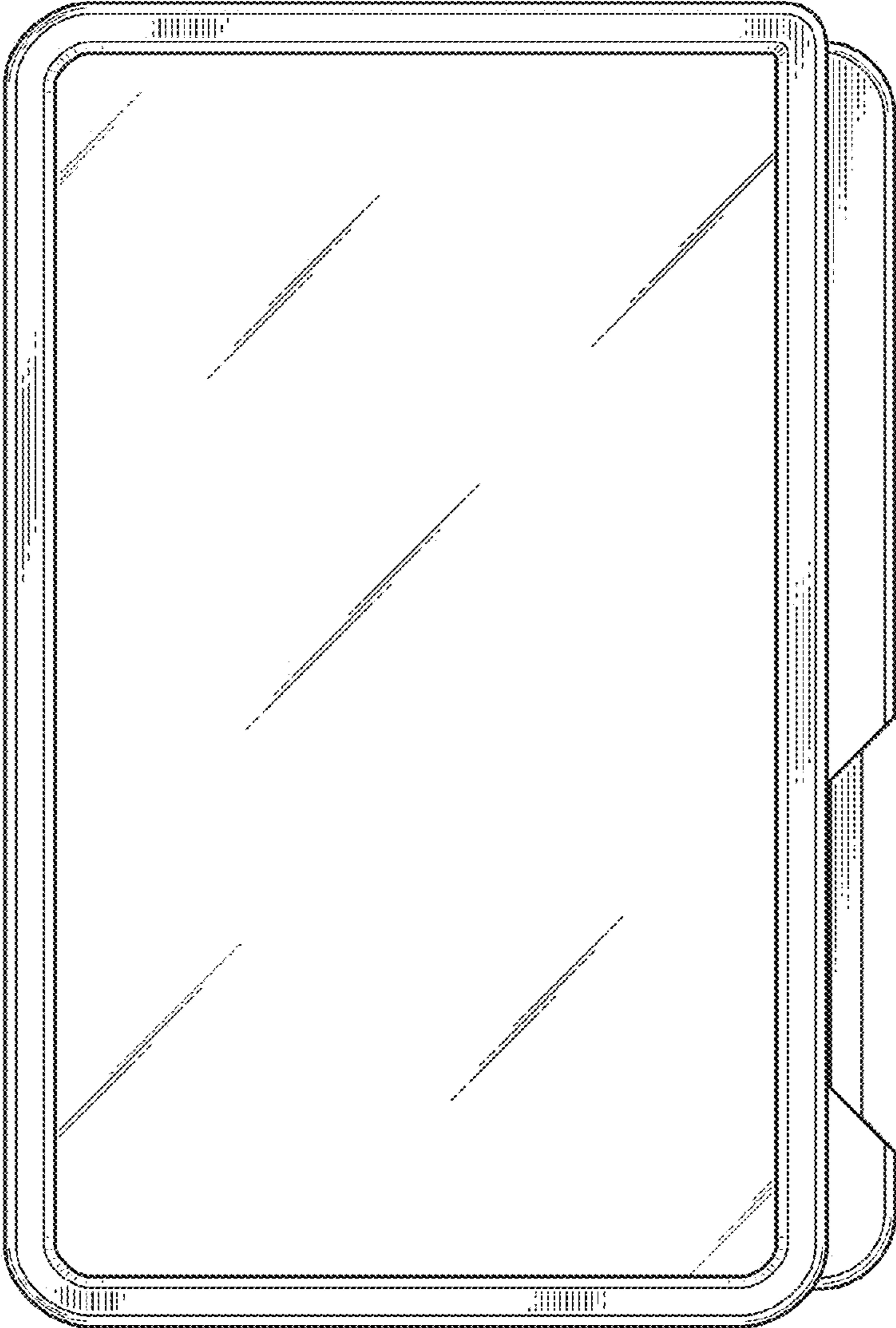


FIG. 7

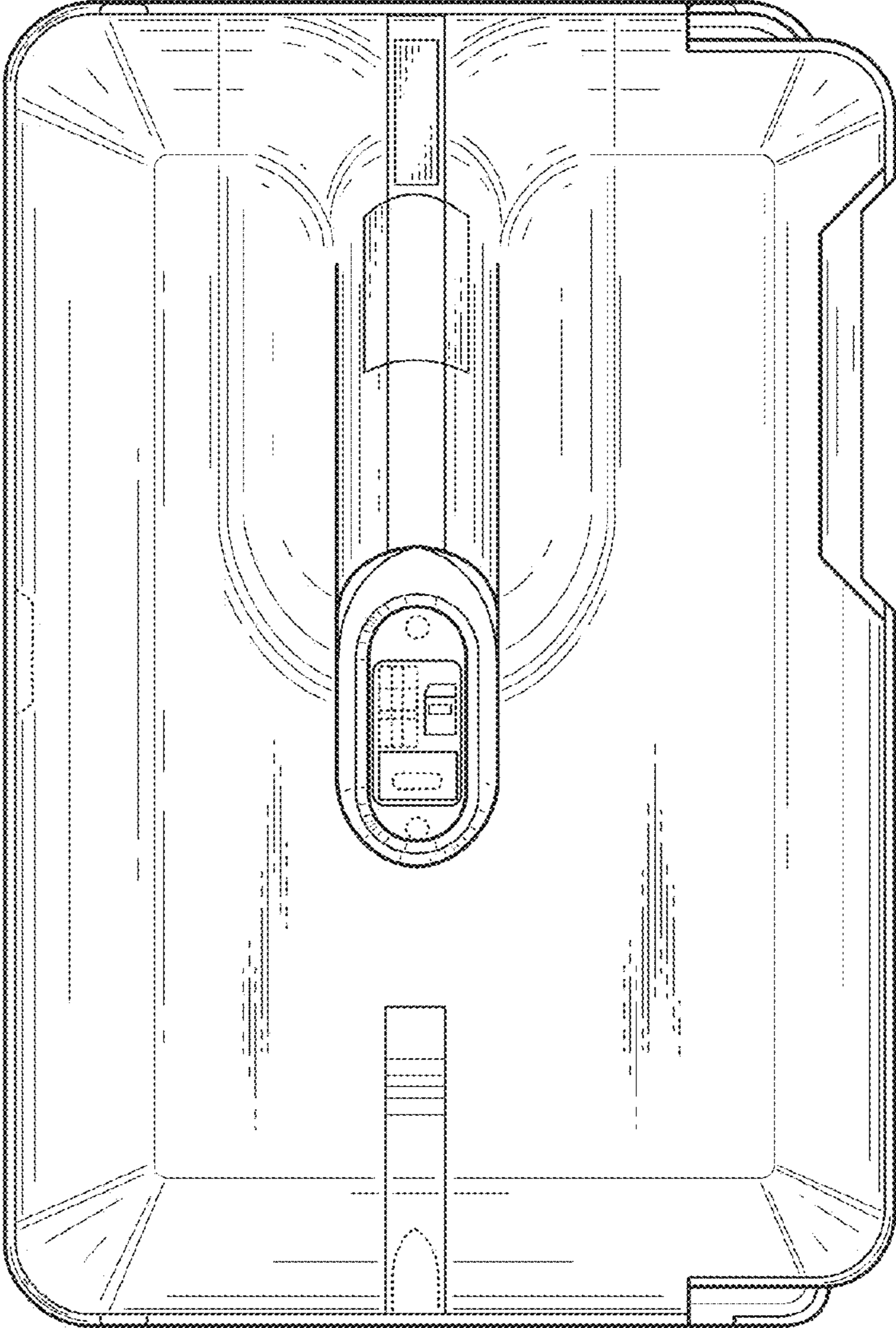


FIG. 8