

US00D761896S

(12) **United States Design Patent**
O'Neill et al.

(10) **Patent No.:** **US D761,896 S**
(45) **Date of Patent:** **** Jul. 19, 2016**

- (54) **OPTICAL COMPONENT**
- (71) Applicant: **olloclip, LLC**, Huntington Beach, CA (US)
- (72) Inventors: **Patrick D. O'Neill**, Huntington Beach, CA (US); **Chong Pak**, Lakewood, CA (US)
- (73) Assignee: **olloclip, LLC**, Huntington Beach, CA (US)
- (**) Term: **14 Years**
- (21) Appl. No.: **29/487,839**
- (22) Filed: **Apr. 11, 2014**
- (51) **LOC (10) Cl.** **16-06**
- (52) **U.S. Cl.**
USPC **D16/130**
- (58) **Field of Classification Search**
USPC D10/78; D14/240, 251, 358, 432, 433; D16/130, 134, 136, 154, 208, 219; 92/161; 359/544, 808, 811, 818, 819, 359/823, 824, 806, 827, 828; 362/365; 396/529; 455/90.3, 567, 569.1, 575.1, 455/575.8
CPC G02B 7/02; G02B 13/00; G02B 13/001; G02B 15/00
See application file for complete search history.

- 3,620,149 A 11/1971 Ogihara
- 3,680,461 A 8/1972 Amesbury et al.
- 3,796,489 A 3/1974 Sone et al.
- 3,817,601 A 6/1974 Colaiace et al.
- 3,828,991 A 8/1974 Moore
- D234,007 S 12/1974 Ritter

(Continued)

FOREIGN PATENT DOCUMENTS

- CN 1797169 A 7/2006
- CN 201173987 Y 12/2008

(Continued)

OTHER PUBLICATIONS

<http://uncrate.com/stuff/olloclip/> Available Jan. 20, 2013.*

(Continued)

Primary Examiner — Susan Bennett Hattan

Assistant Examiner — Leanne Was

(74) *Attorney, Agent, or Firm* — Knobbe, Martens, Olson & Bear, LLP

(57) **CLAIM**

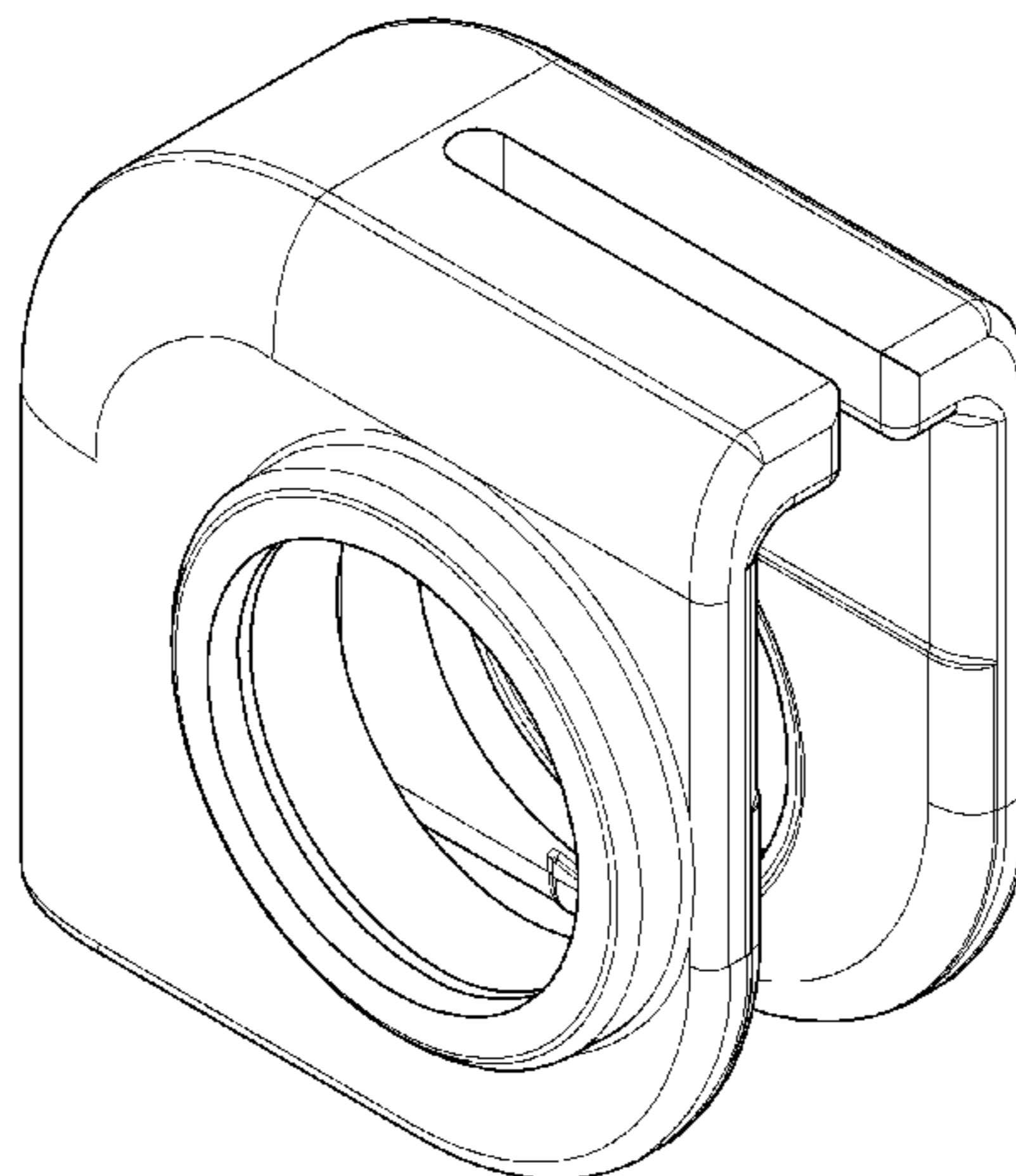
The ornamental design for an optical component, as shown and described.

DESCRIPTION

FIG. 1 is a front, top, and right side perspective view of an optical component;
 FIG. 2 is a back, bottom, and left side perspective view thereof;
 FIG. 3 is a right side elevation view thereof;
 FIG. 4 is a left side elevation view thereof;
 FIG. 5 is a front side elevation view thereof;
 FIG. 6 is a back side elevation view thereof;
 FIG. 7 is a top plan view thereof; and,
 FIG. 8 is a bottom plan view thereof.
 The features illustrated in phantom line from no part of the claimed design.

1 Claim, 8 Drawing Sheets

- (56) **References Cited**
U.S. PATENT DOCUMENTS
- 971,798 A 10/1910 Somdal
- D48,816 S 4/1916 De Ville
- D141,692 S 6/1945 Nerneth
- 2,428,719 A 10/1947 Nemeth
- D148,816 S 2/1948 Pemstein
- 3,090,282 A 5/1963 Angenieux
- 3,133,140 A 5/1964 Winchell
- 3,138,060 A 6/1964 Eggert et al.
- 3,454,323 A 7/1969 Dierks et al.



(56)

References Cited

U.S. PATENT DOCUMENTS

D248,160 S 6/1978 Feinbloom et al.
 4,264,167 A 4/1981 Plummer
 4,305,386 A 12/1981 Tawara
 D264,048 S 4/1982 Magner
 D274,336 S 6/1984 Huckenbeck
 D274,691 S 7/1984 Wallace
 D275,766 S 10/1984 Suzuki
 D295,871 S 5/1988 Charles
 4,760,510 A 7/1988 Lahti
 4,864,333 A 9/1989 Barber
 4,893,143 A 1/1990 Sheng-Huei
 5,050,963 A 9/1991 Murakami
 5,054,886 A 10/1991 Ozaki et al.
 5,311,358 A 5/1994 Pederson et al.
 5,416,544 A 5/1995 Stapleton
 5,455,711 A 10/1995 Palmer
 D374,878 S 10/1996 Palmer
 D387,787 S 12/1997 Palmer
 5,831,778 A 11/1998 Chueh
 6,545,825 B2 4/2003 Shoji et al.
 6,752,516 B1 6/2004 Beadle
 6,889,006 B2 5/2005 Kobayashi
 6,924,950 B2 8/2005 Gventer et al.
 D546,863 S 7/2007 Ito et al.
 D560,702 S 1/2008 Tokiwa et al.
 7,600,932 B2 10/2009 Senba et al.
 7,604,423 B2 10/2009 Nagata et al.
 7,636,518 B2 12/2009 Tanaka et al.
 7,639,353 B2 12/2009 Rooke
 7,782,375 B2 8/2010 Chambers et al.
 D626,950 S * 11/2010 Roman D14/240
 7,967,513 B2 6/2011 Zhang
 8,000,589 B2 8/2011 Chan
 8,040,621 B2 10/2011 Chang et al.
 D649,970 S 12/2011 Lyford et al.
 8,073,324 B2 12/2011 Tsai
 8,279,544 B1 * 10/2012 O'Neill G02B 7/14
 359/819
 D678,379 S * 3/2013 O'Neill D14/511
 D686,265 S * 7/2013 O'Neill D16/134
 8,508,868 B2 8/2013 Weber et al.
 D692,472 S * 10/2013 Samuels D16/136
 8,593,745 B2 11/2013 O'Neill
 D695,332 S * 12/2013 O'Neill D16/237
 D697,958 S * 1/2014 O'Neill D16/134
 D699,275 S * 2/2014 Samuels D16/136
 D700,228 S * 2/2014 O'Neill D16/134
 8,687,299 B1 * 4/2014 Sanford F16B 21/04
 359/827
 8,891,187 B2 * 11/2014 O'Neill G02B 7/14
 359/819
 D723,601 S * 3/2015 O'Neill D16/134
 D727,385 S * 4/2015 O'Neill D16/134
 D727,868 S * 4/2015 O'Neill D14/134
 D730,967 S * 6/2015 O'Neill D16/219
 D730,968 S * 6/2015 O'Neill D16/219
 D730,969 S * 6/2015 O'Neill D16/219
 D740,878 S * 10/2015 O'Neill D16/237
 9,188,764 B2 * 11/2015 O'Neill G02B 7/14

2004/0218081 A1 11/2004 Lohr et al.
 2005/0088612 A1 4/2005 Smith et al.
 2007/0053682 A1 3/2007 Chang
 2007/0196090 A1 8/2007 Kubo
 2007/0275763 A1 11/2007 Sawadski et al.
 2007/0280677 A1 12/2007 Drake et al.
 2009/0109558 A1 4/2009 Schaefer
 2009/0181729 A1 7/2009 Griffin, Jr. et al.
 2010/0048243 A1 2/2010 Fourquin et al.
 2010/0328420 A1 12/2010 Roman
 2011/0019294 A1 * 1/2011 Strong G02B 7/04
 359/823
 2011/0043683 A1 2/2011 Beach et al.
 2011/0110654 A1 5/2011 Maki
 2012/0236425 A1 * 9/2012 O'Neill G02B 7/14
 359/827
 2013/0135759 A1 5/2013 O'Neill
 2014/0071547 A1 3/2014 O'Neill
 2015/0002950 A1 * 1/2015 O'Neill G02B 7/14
 359/827
 2015/0042877 A1 * 2/2015 O'Neill H04N 5/2254
 348/376
 2015/0222315 A1 * 8/2015 O'Neill H04B 1/3888
 455/575.8
 2015/0293430 A1 * 10/2015 O'Neill G03B 17/565
 396/544

FOREIGN PATENT DOCUMENTS

CN 301914880 * 5/2012
 JP 2006-251150 9/2006
 JP 2007-206137 8/2007
 WO WO 2006/002674 1/2006
 WO WO 2012/082738 6/2012
 WO WO 2012/128936 9/2012
 WO WO 2014/043266 3/2014

OTHER PUBLICATIONS

Design U.S. Appl. No. 29/448,791, filed Mar. 13, 2013, O'Neill et al.
 Design U.S. Appl. No. 29/448,792, filed Mar. 13, 2013, O'Neill et al.
 Design U.S. Appl. No. 29/488,799, filed Mar. 13, 2013, O'Neill et al.
 Design U.S. Appl. No. 29/469,842, filed Oct. 15, 2013, O'Neill et al.
 Design U.S. Appl. No. 29/473,454, filed Nov. 21, 2013, O'Neill et al.
 Design U.S. Appl. No. 29/473,455, filed Nov. 21, 2013, O'Neill et al.
 Design U.S. Appl. No. 29/473,456, filed Nov. 21, 2013, O'Neill et al.
 Design U.S. Appl. No. 29/478,914, filed Jan. 9, 2014, O'Neill et al.
 Design U.S. Appl. No. 29/482,575, filed Feb. 19, 2014, O'Neill et al.
 Design U.S. Appl. No. 29/492,726, filed Jun. 2, 2014, O'Neill et al.
 Design U.S. Appl. No. 29/492,734, filed Jun. 2, 2014, O'Neill et al.
 U.S. Appl. No. 14/201,565, filed Mar. 7, 2014, O'Neill.
 U.S. Appl. No. 14/206,210, filed Mar. 12, 2014, O'Neill.
 Amazon.com, "Fish Eye lens + Wide Angle Lens + Macro Lens 3-in-1 Kit for iPod iPhone 4g," [Customer Reviews included] printed Feb. 3, 2012 in 10 pages.
 Focal, "Auxiliary Lens Set for Kodak Disc Camera", circa 1980s (photograph).
 Kickstarter.com, "Glif—iPhone 4 Tripod Mount & Stand", <http://www.kickstarter.com/projects/danprovost/glif-iphone-4-tripod-mount-and-stand>, Oct. 3, 2013 (selected screenshots from video).

* cited by examiner

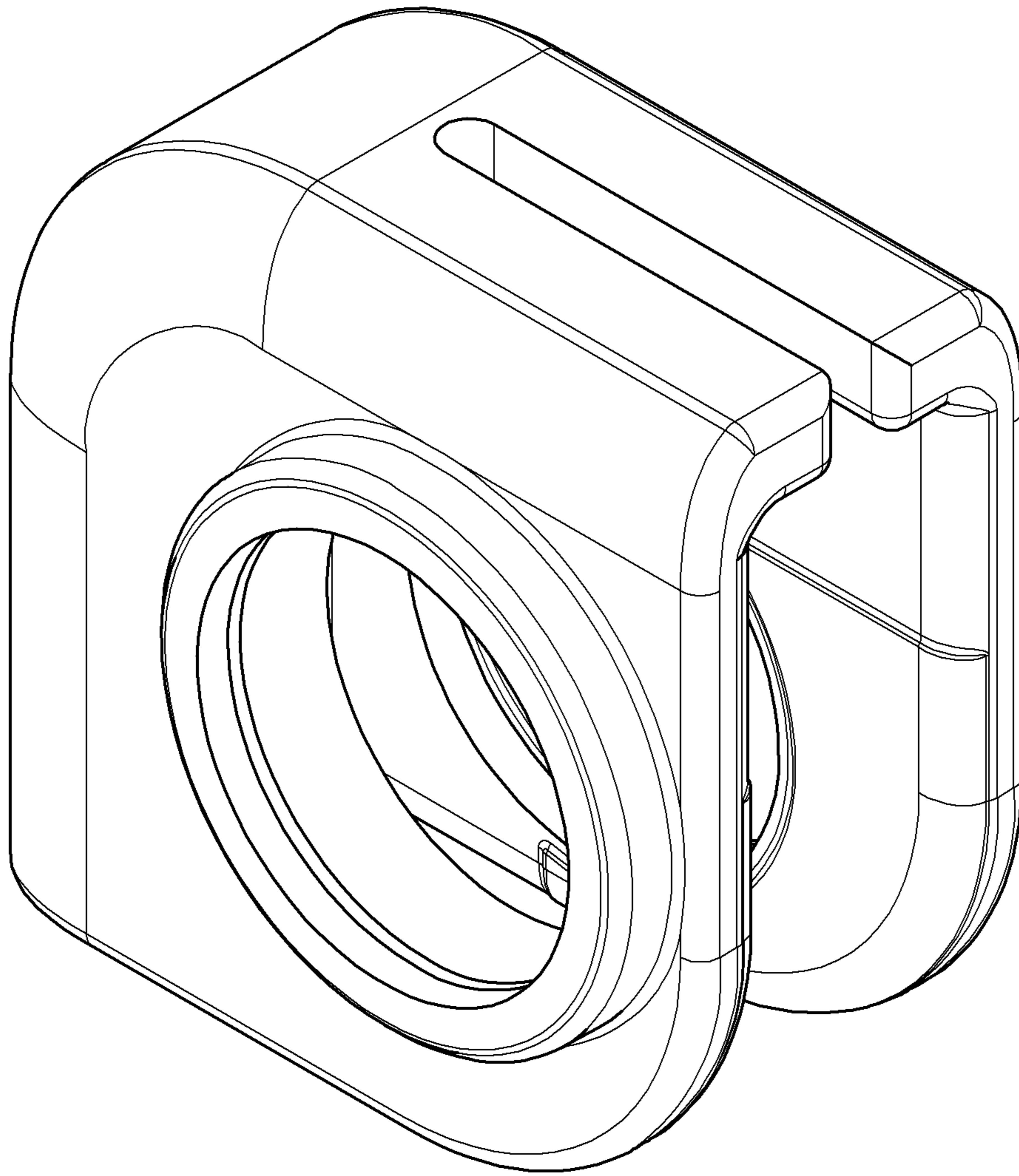


FIG. 1

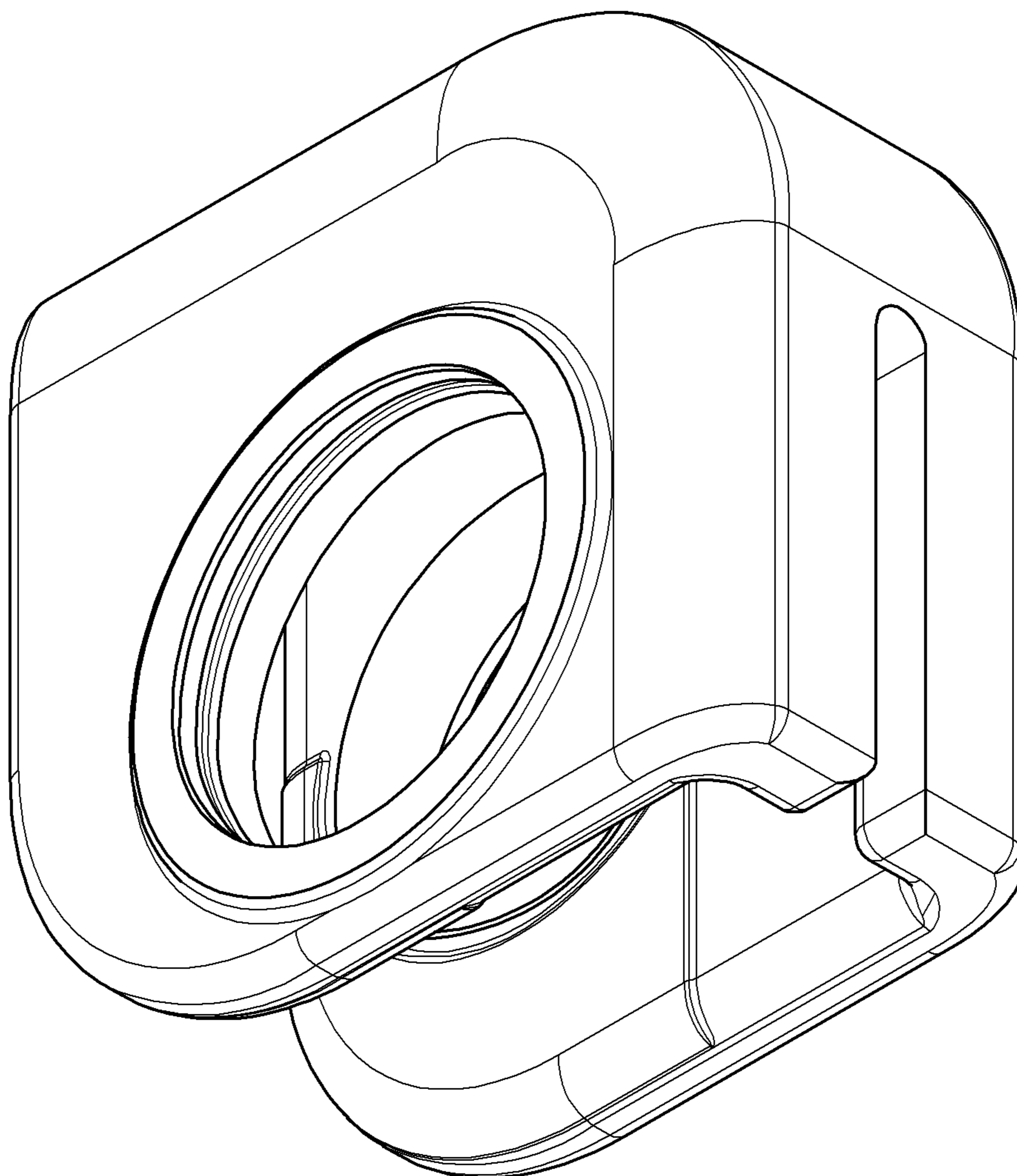


FIG. 2

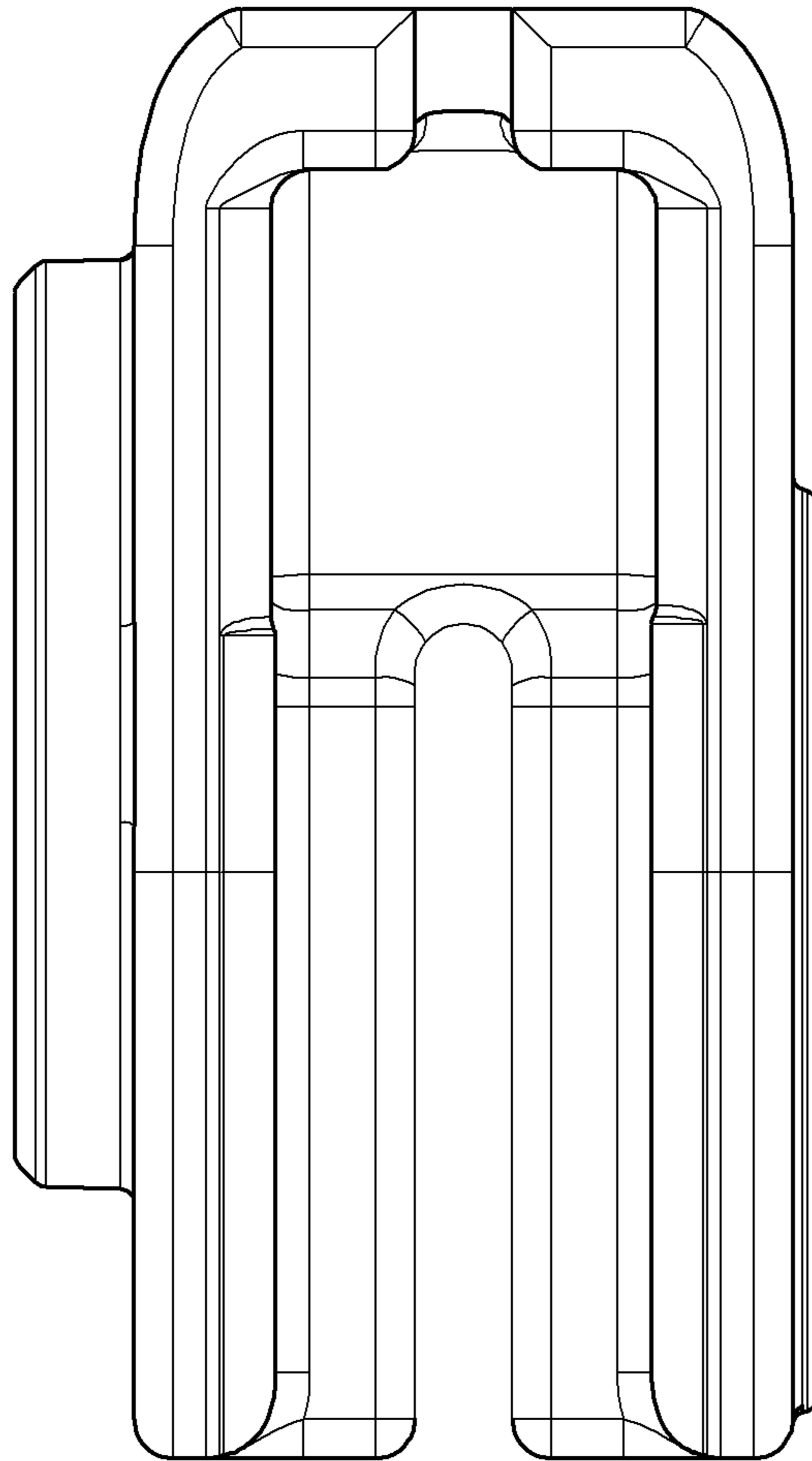


FIG. 3

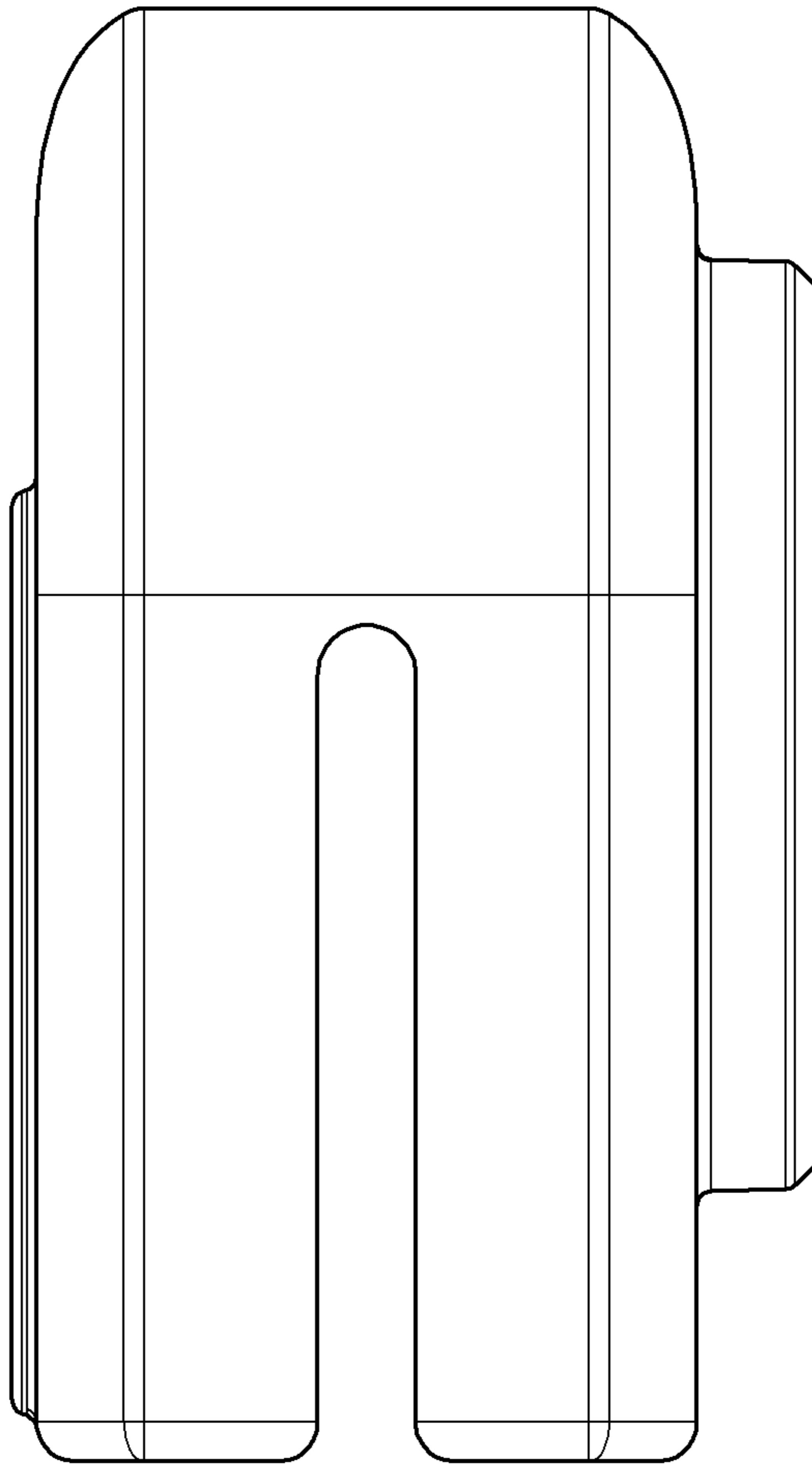


FIG. 4

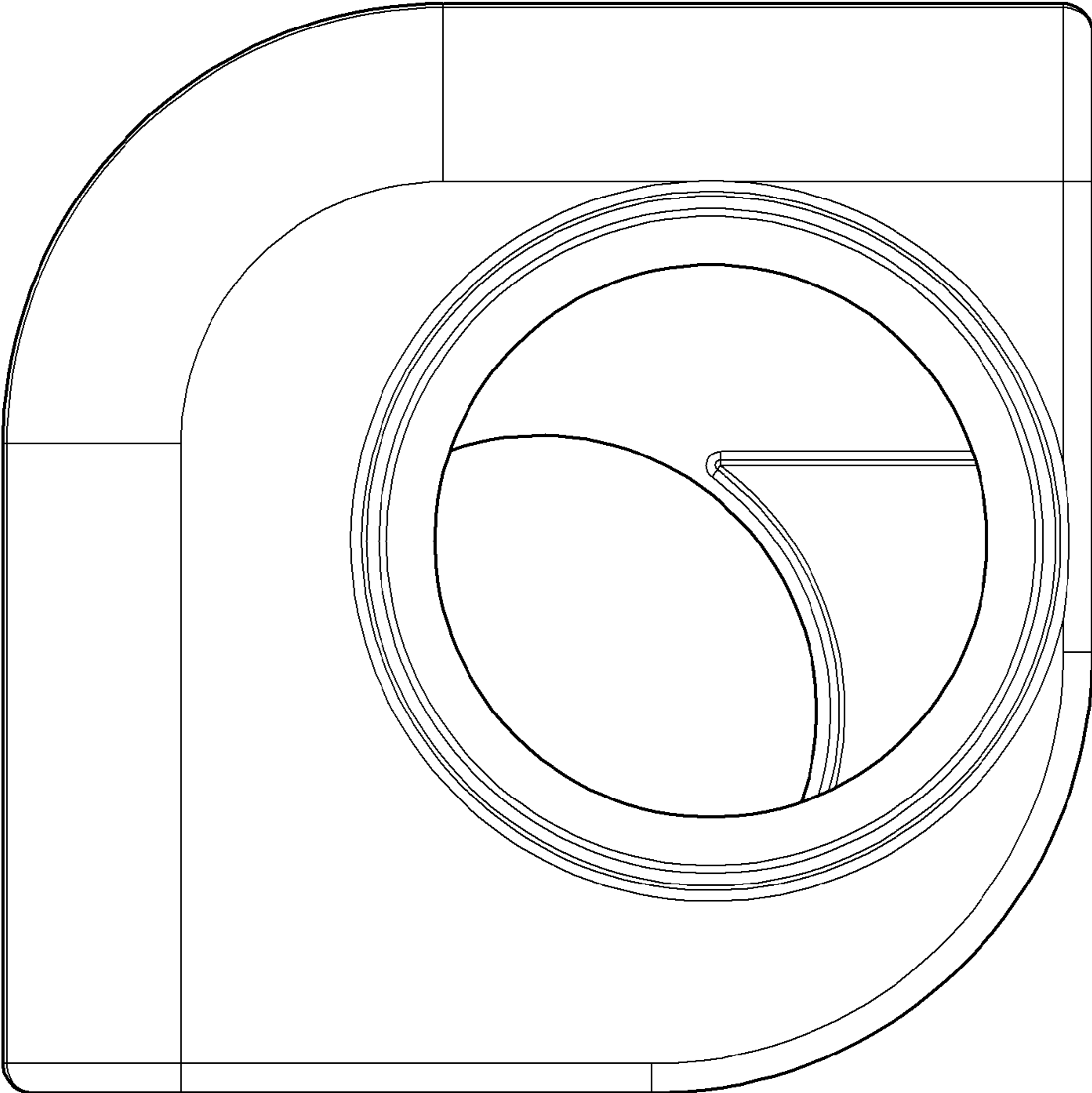


FIG. 5

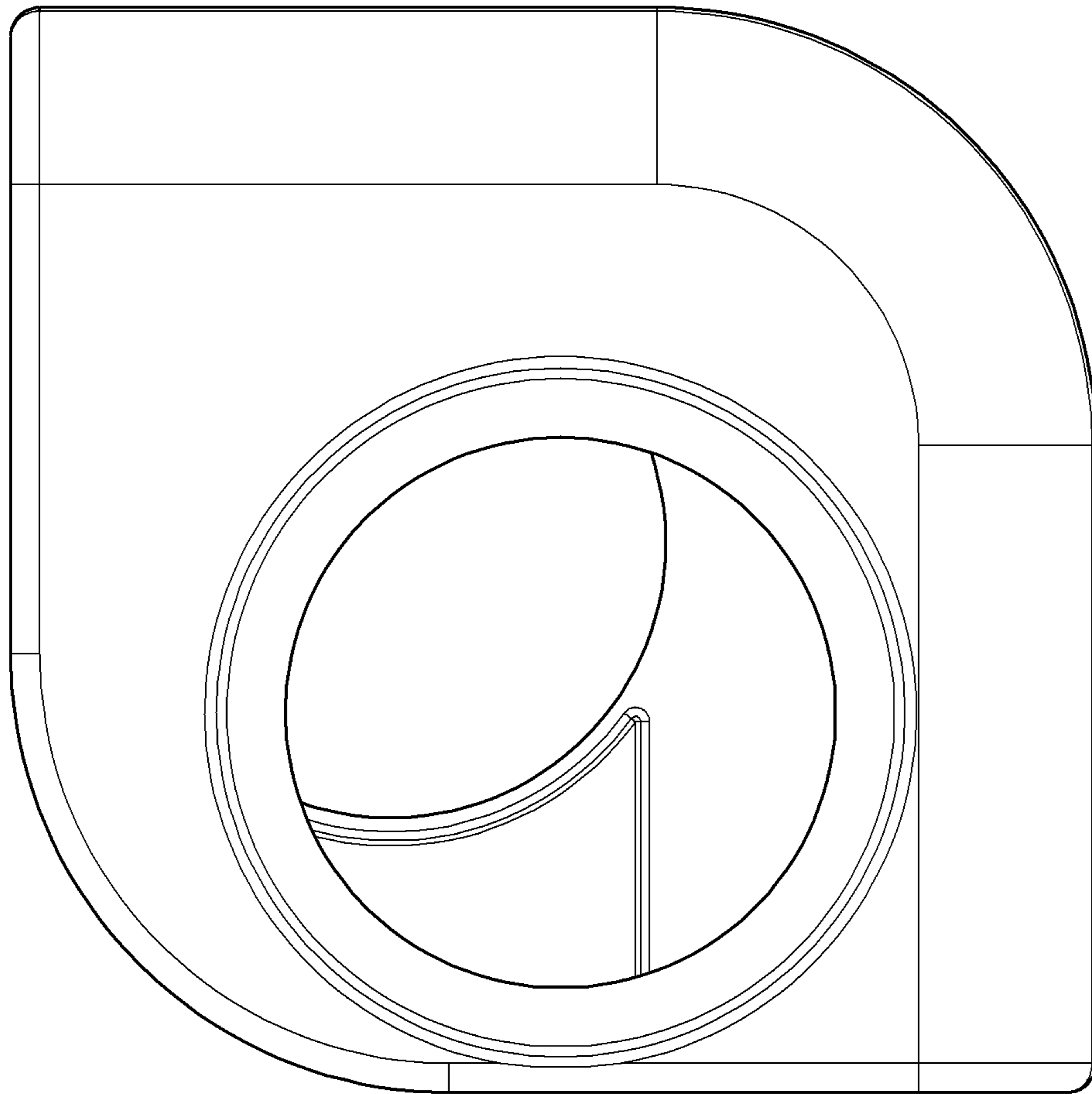


FIG. 6

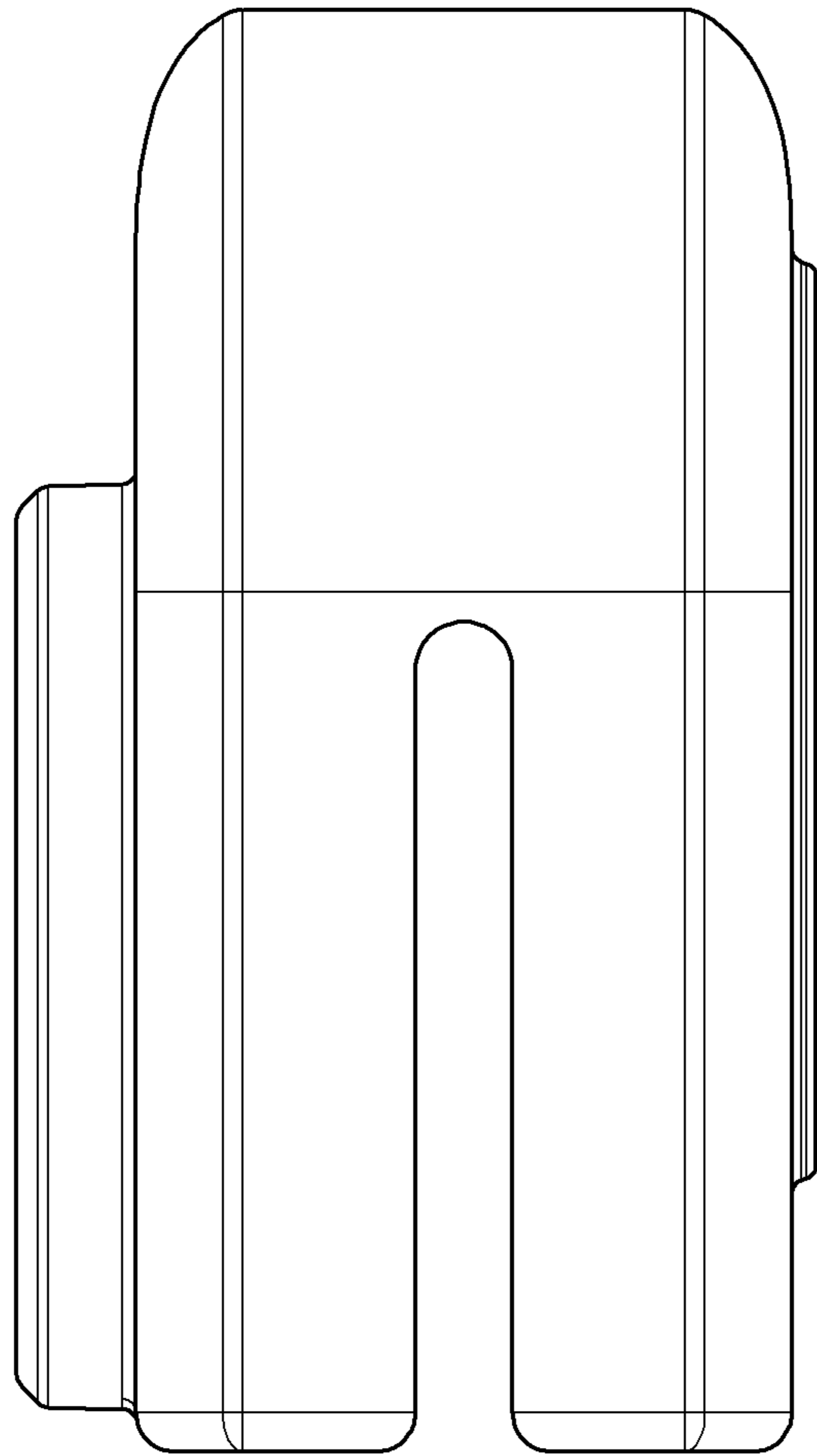


FIG. 7

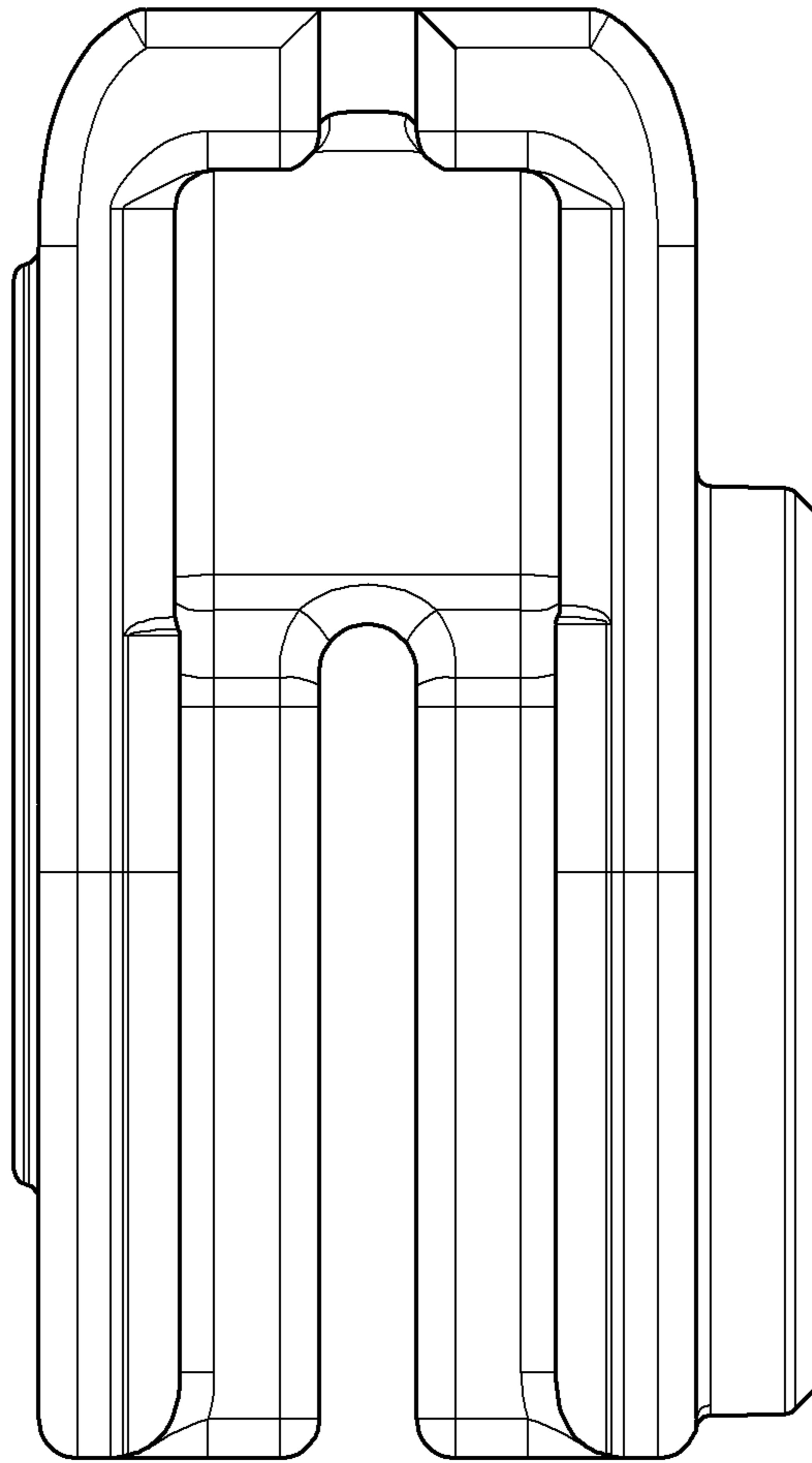


FIG. 8