



US00D761895S

(12) **United States Design Patent**
Breazeal et al.

(10) **Patent No.:** **US D761,895 S**
(45) **Date of Patent:** **** Jul. 19, 2016**

- (54) **ROBOT**
- (71) Applicant: **JIBO, Inc.**, Boston, MA (US)
- (72) Inventors: **Cynthia Breazeal**, Cambridge, MA (US); **Fardad Faridi**, Marlborough, MA (US)
- (73) Assignee: **JIBO, INC.**, Boston, MA (US)

- 2006/0293787 A1 12/2006 Kanda et al.
- 2007/0192910 A1 8/2007 Vu et al.
- 2009/0055019 A1 2/2009 Stiehl et al.
- 2010/0178101 A1 7/2010 Day et al.
- 2011/0290059 A1 12/2011 Pan et al.
- 2012/0277914 A1 11/2012 Crow et al.
- 2012/0314123 A1 12/2012 Lee et al.
- 2013/0066467 A1 3/2013 Song et al.
- 2014/0136302 A1 5/2014 Song et al.
- 2014/0277735 A1 9/2014 Breazeal

(Continued)

(**) Term: **15 Years**

(21) Appl. No.: **29/546,668**

(22) Filed: **Nov. 24, 2015**

FOREIGN PATENT DOCUMENTS

- JP 2002000574 A 1/2002
- JP 2009072910 A 4/2009

(Continued)

Related U.S. Application Data

(62) Division of application No. 29/491,780, filed on May 23, 2014, now Pat. No. Des. 746,886.

(51) **LOC (10) Cl.** **15-99**

(52) **U.S. Cl.**
USPC **D15/199**

(58) **Field of Classification Search**
USPC D15/144.2, 199; D21/578-583, 621, D21/622
See application file for complete search history.

OTHER PUBLICATIONS

U.S. Appl. No. 29/491,780, filed May 23, 2014.

(Continued)

Primary Examiner — Patricia Palasik
(74) *Attorney, Agent, or Firm* — GTC Law Group PC & Affiliates

(57) **CLAIM**
The ornamental design for a robot, as shown.

(56) **References Cited**

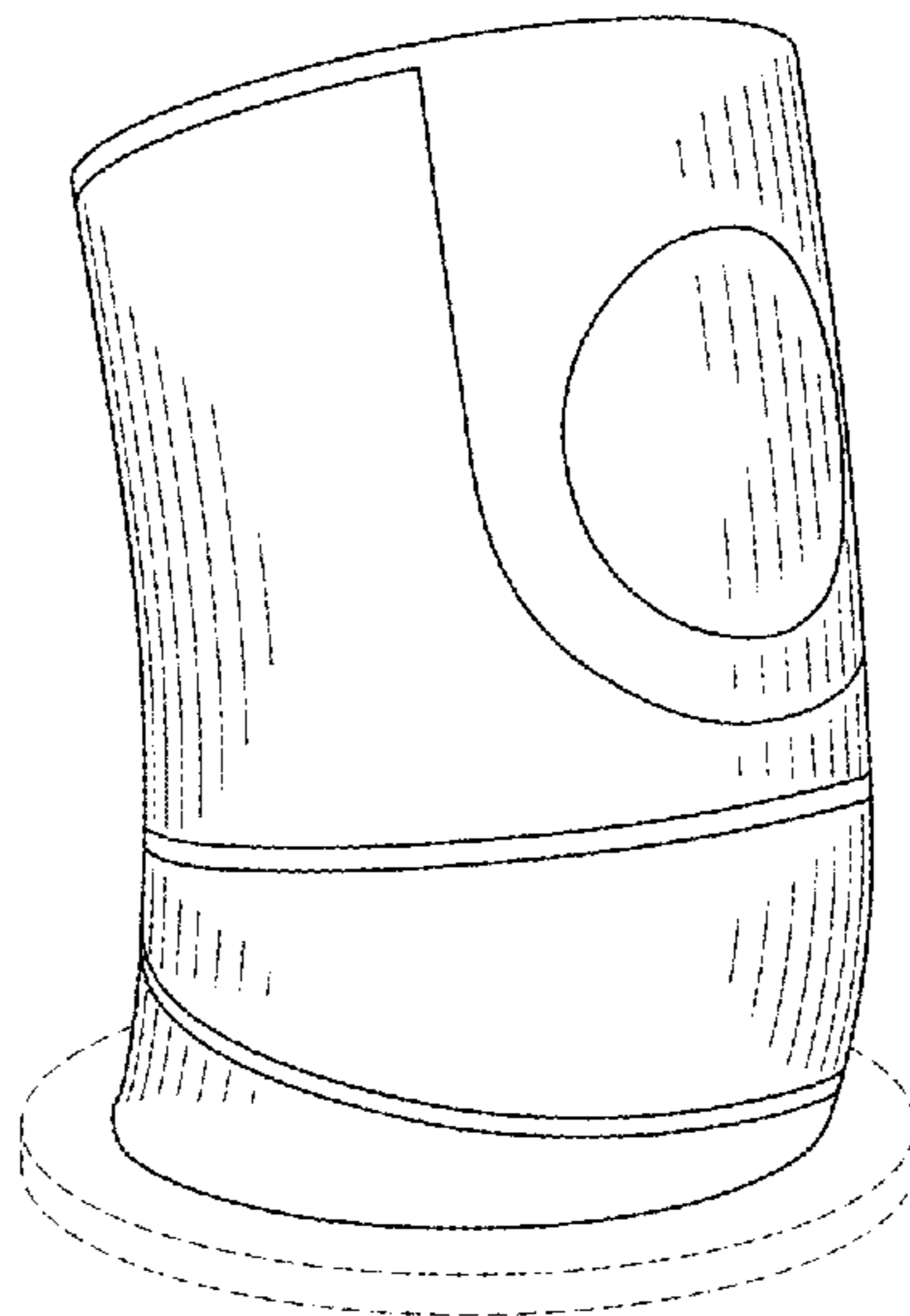
U.S. PATENT DOCUMENTS

- 4,668,155 A 5/1987 Kaufmann et al.
- 6,038,493 A 3/2000 Tow
- D639,353 S 6/2011 Stibolt
- 8,265,793 B2 9/2012 Campbell et al.
- D685,438 S 7/2013 Fan et al.
- D695,345 S 12/2013 Park et al.
- 8,608,398 B2 12/2013 Mekid et al.
- D705,678 S 5/2014 Steffey et al.
- 8,978,509 B2 3/2015 Pan et al.
- D733,203 S 6/2015 Menor et al.
- D734,821 S 7/2015 Greaves et al.
- D736,117 S 8/2015 Stone et al.

DESCRIPTION

FIG. 1 is a front perspective view of our new design; FIG. 2 is a right side elevation view thereof; FIG. 3 is a left side elevation view thereof; FIG. 4 is a front perspective view thereof; FIG. 5 is a rear elevation view thereof; FIG. 6 is a top perspective view thereof; and, FIG. 7 is a bottom plan view thereof. The broken lines in FIGS. 1-7 are for environmental purposes only and form no part of the claimed design.

1 Claim, 3 Drawing Sheets



(56)

References Cited

U.S. PATENT DOCUMENTS

2015/0138333 A1 5/2015 Devaul
 2015/0217445 A1 8/2015 Hietmann et al.
 2015/0314454 A1 11/2015 Breazeal et al.
 2015/0335220 A1* 11/2015 Kim A47L 11/282
 15/49.1
 2015/0336276 A1* 11/2015 Song B25J 11/001
 700/253
 2015/0343630 A1* 12/2015 Tashiro H01L 21/67161
 414/222.08
 2015/0352720 A1* 12/2015 Iizuka B25J 9/1682
 700/245
 2015/0360369 A1* 12/2015 Ishikawa B25J 9/1687
 29/428
 2016/0025150 A1* 1/2016 Bachmaier F16F 15/023
 464/28
 2016/0031078 A1* 2/2016 Kapoor B25J 9/0081
 700/258
 2016/0058261 A1* 3/2016 Dyson A47L 11/40
 96/423
 2016/0059408 A1* 3/2016 Isobe B25J 9/02
 700/253
 2016/0059770 A1* 3/2016 Ji B60Q 1/24
 348/159

FOREIGN PATENT DOCUMENTS

KR 1020080037287 A 4/2008
 KR 1020090001725 A 1/2009
 KR 1020110129042 A 12/2011
 KR 101190660 B1 10/2012
 WO 2014152015 A1 9/2014
 WO PCT/US2015/040581 7/2015

OTHER PUBLICATIONS

PCT/US2014/026815, "International Application Serial No. PCT/US2014/026815, International Preliminary Report on Patentability and Written Opinion mailed Sep. 24, 2015", JIBO, Inc., 8 pages.
 PCT/US2014/026815, "International Application Serial No. PCT/US2014/026815, International Search Report and Written Opinion mailed Jun. 27, 2014", JIBO, Inc., 11 pages.
 PCT/US2015/040581, "International Application Serial No. PCT/US2015/040581, International Search Report and Written Opinion mailed Sep. 25, 2015", JIBO, Inc., 25 pages.

* cited by examiner

Fig. 1

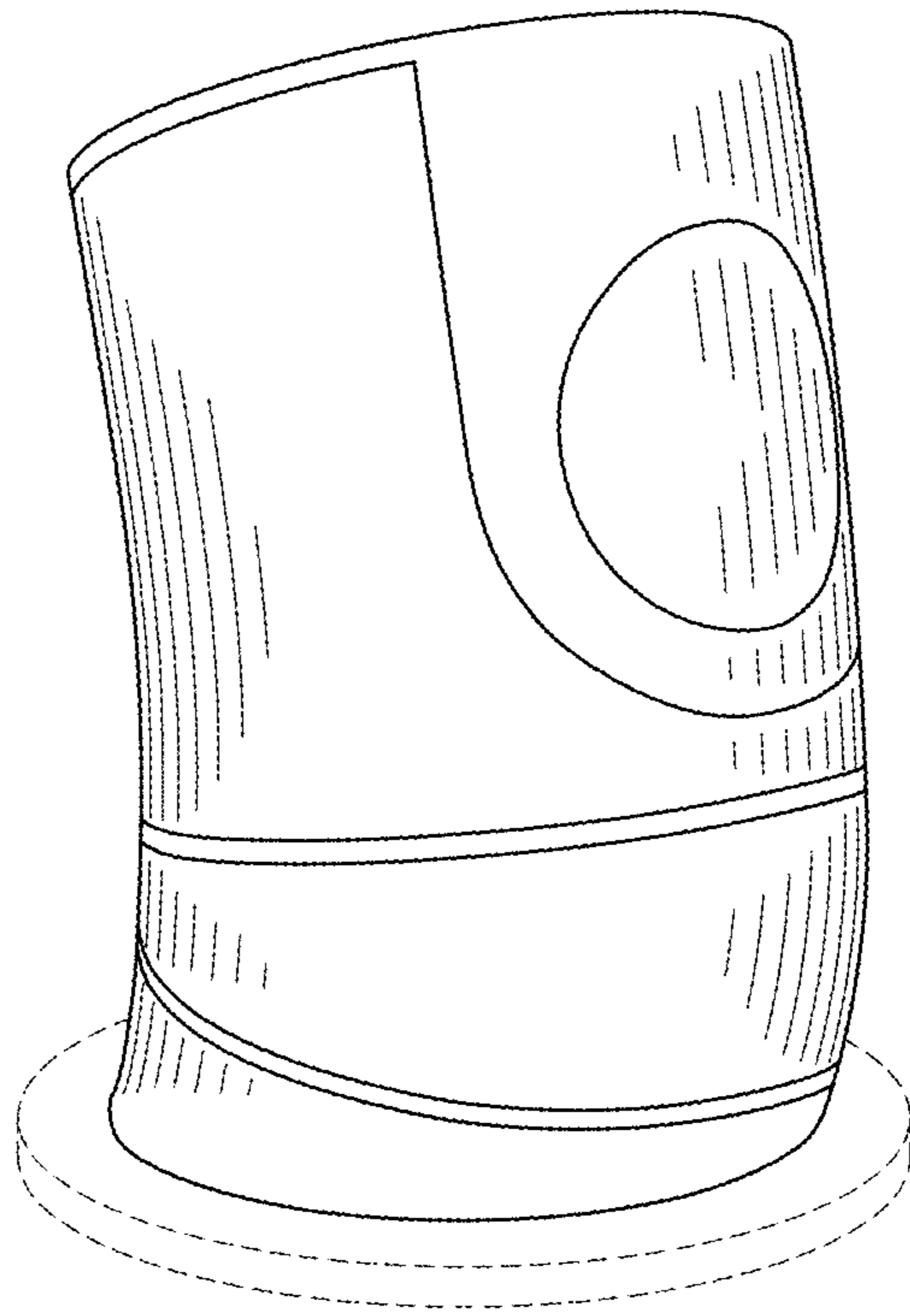


Fig. 2

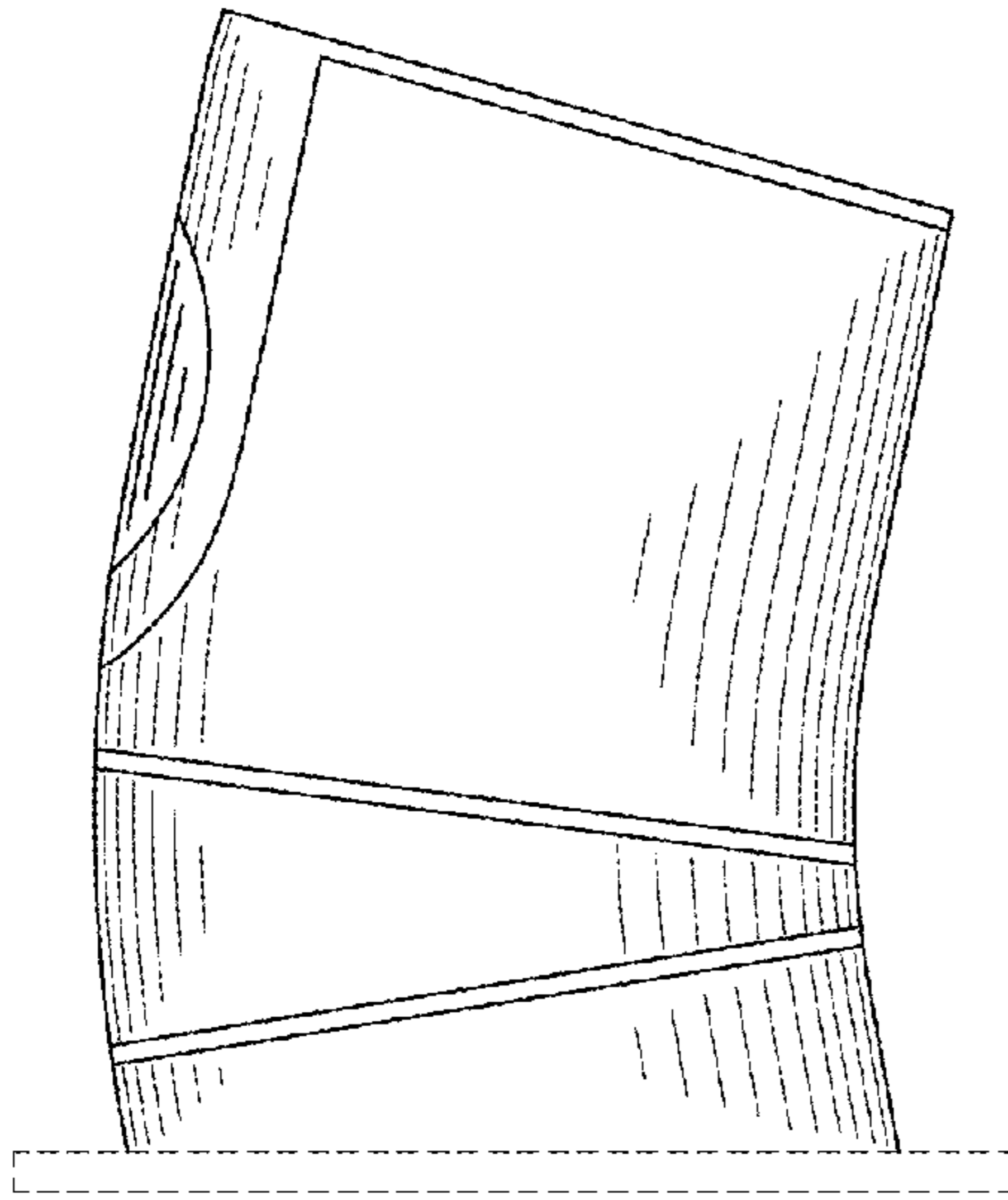


Fig. 3

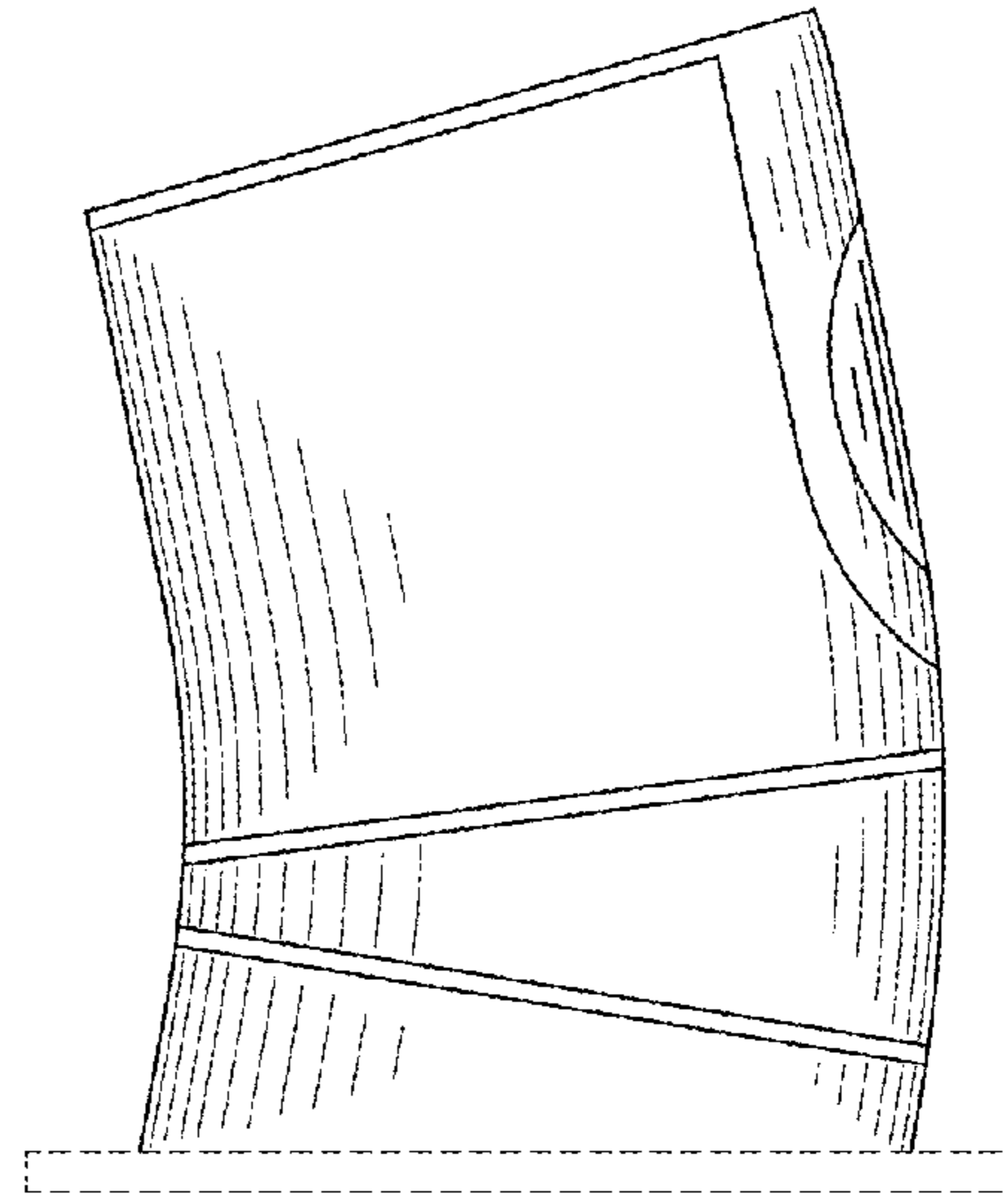


Fig. 4

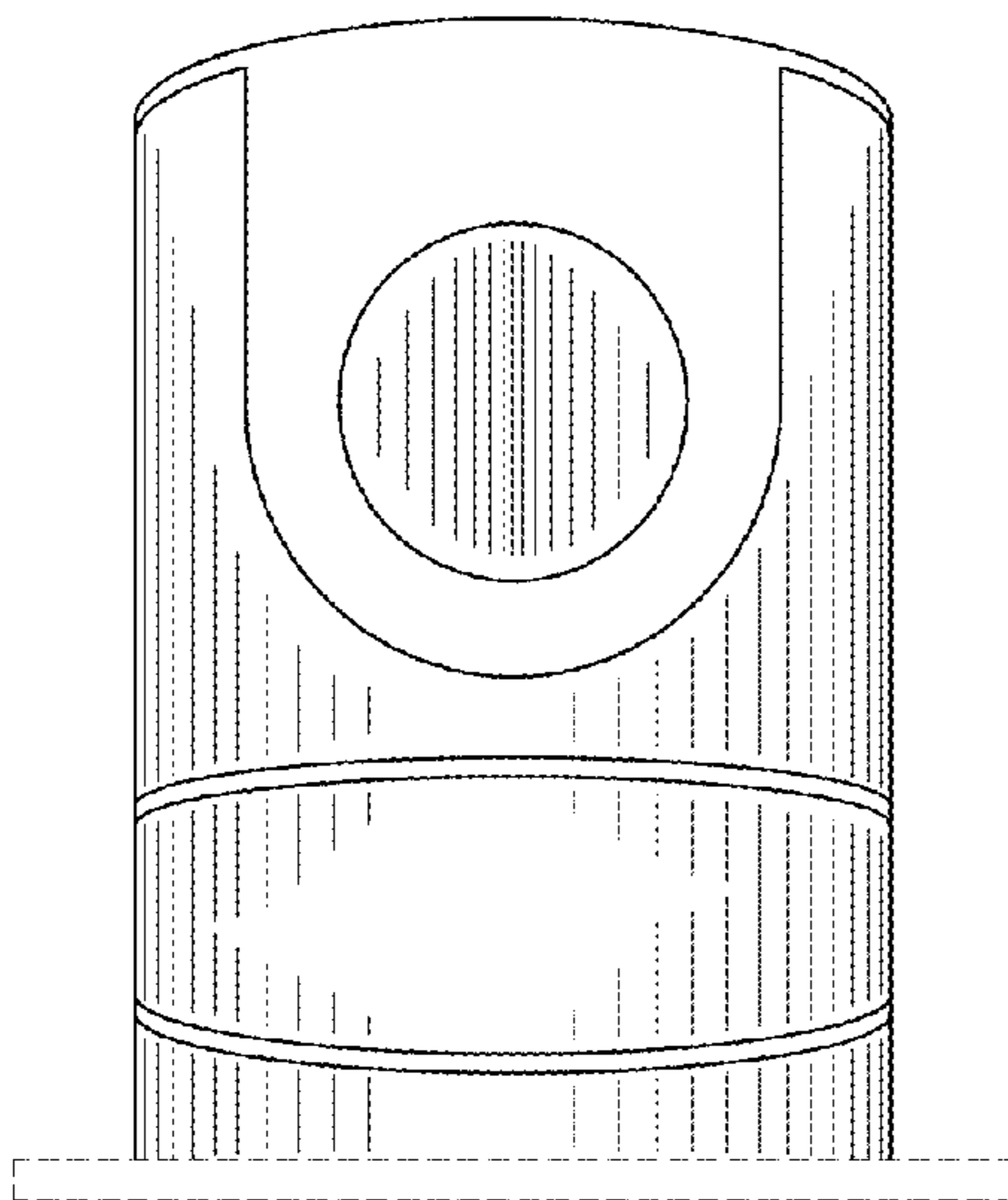


Fig. 5

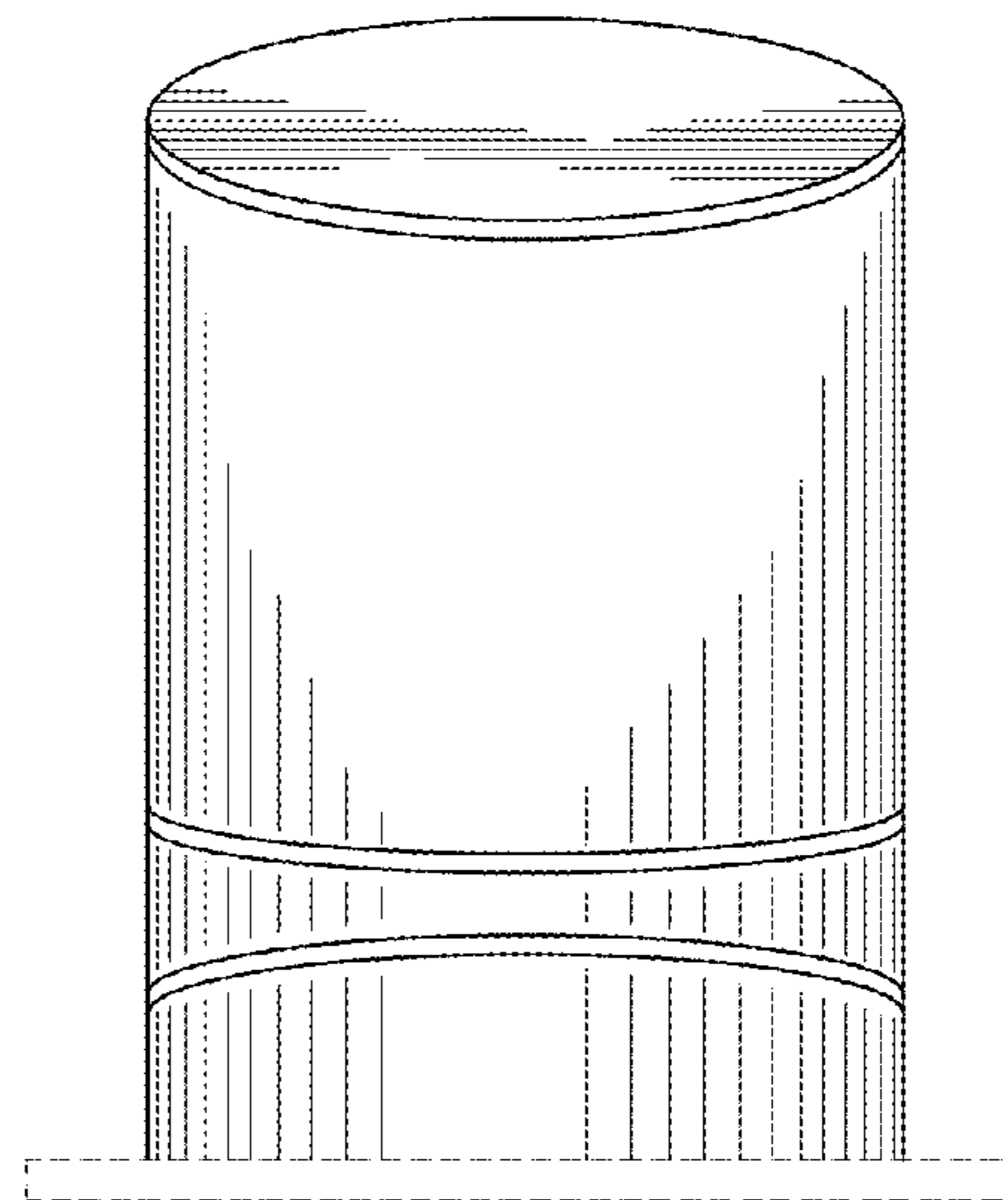


Fig. 6

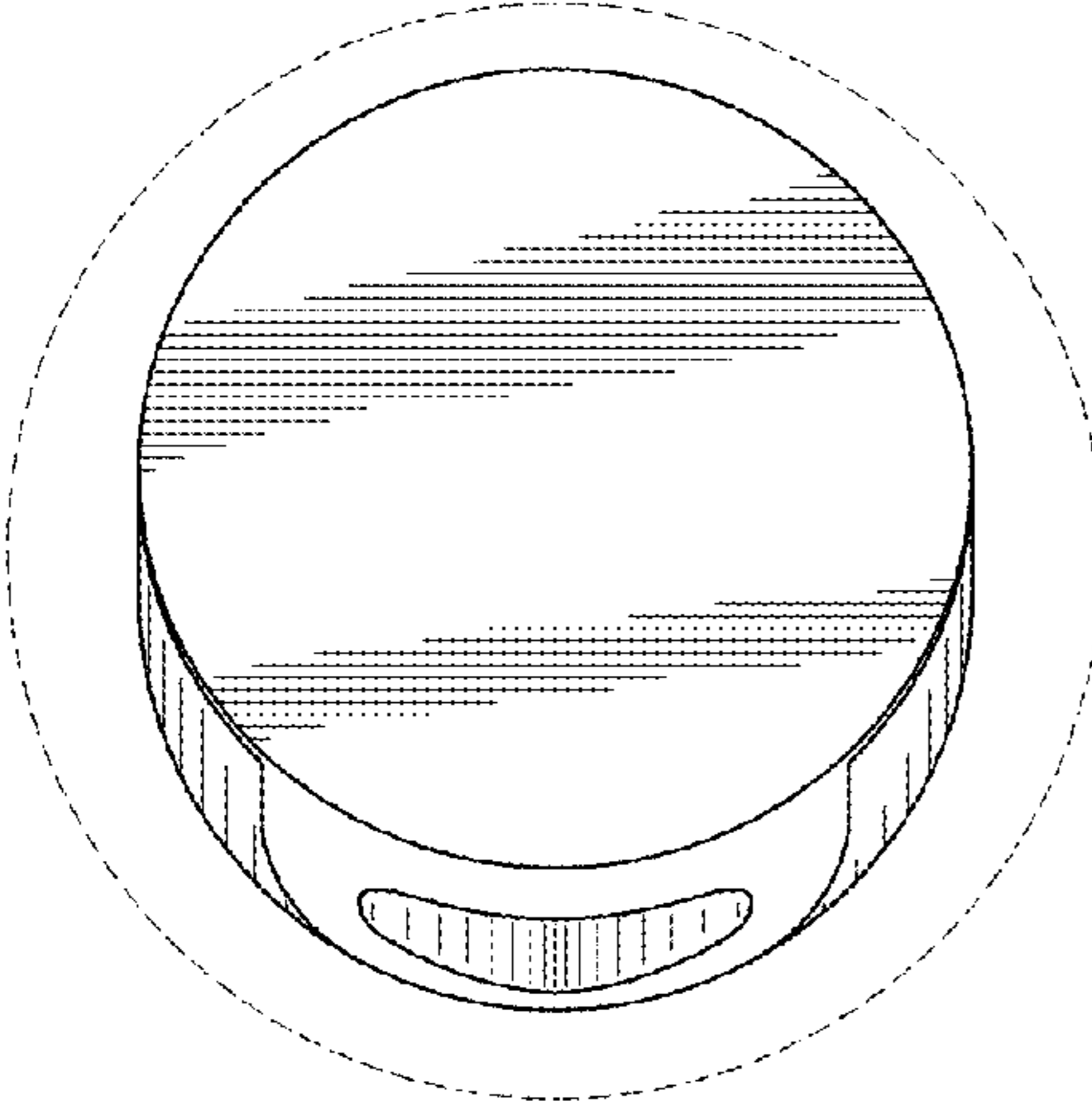


Fig. 7

