



US00D761894S

(12) **United States Design Patent**
Ho et al.

(10) **Patent No.:** **US D761,894 S**
(45) **Date of Patent:** **** Jul. 19, 2016**

(54) **PRESSURE INTERACTIVE ROBOT**
(71) Applicant: **HON HAI PRECISION INDUSTRY CO., LTD.,** New Taipei (TW)
(72) Inventors: **Chang-Da Ho,** New Taipei (TW);
Ting-Yi Liao, New Taipei (TW);
Shih-Pin Lin, New Taipei (TW);
Sei-Ping Louh, New Taipei (TW);
Jen-Tsorng Chang, New Taipei (TW)
(73) Assignee: **HON HAI PRECISION INDUSTRY CO., LTD.,** New Taipei (TW)

D353,323 S *	12/1994	Meng	D21/578
D450,788 S *	11/2001	Kawasaki	D21/578
D453,361 S *	2/2002	Tsai	D21/578
D458,318 S *	6/2002	Christianson	D21/578
D461,512 S *	8/2002	Pohl	D21/578
D464,091 S *	10/2002	Christianson	D21/578
D505,984 S *	6/2005	Robinson	D21/578
D510,964 S *	10/2005	Robinson	D21/578
D515,639 S *	2/2006	Robinson	D21/578
D536,010 S *	1/2007	Takahashi	D15/199
D549,756 S *	8/2007	Park	D15/199
D559,288 S *	1/2008	Matsuda	D15/199
D563,443 S *	3/2008	Ahn	D15/199
D579,035 S *	10/2008	Kim	D15/199
D608,845 S *	1/2010	Tang	D21/585
D635,603 S *	4/2011	Paz Rodriguez	D15/199

(**) Term: **15 Years**

(Continued)

(21) Appl. No.: **29/531,551**

Primary Examiner — Patricia Palasik

(22) Filed: **Jun. 26, 2015**

(74) Attorney, Agent, or Firm — ScienBiziP, P.C.

(30) **Foreign Application Priority Data**

May 14, 2015 (TW) 104302562

(51) **LOC (10) Cl.** **15-99**

(52) **U.S. Cl.**
USPC **D15/199; D21/578**

(58) **Field of Classification Search**
USPC **D15/199; D21/578**
See application file for complete search history.

(56) **References Cited**

U.S. PATENT DOCUMENTS

D251,628 S *	4/1979	McQuarrie	D21/578
D258,900 S *	4/1981	Lanusse	D21/578
D285,599 S *	9/1986	Forino	D21/578
D287,986 S *	1/1987	Matsui	D21/578
D290,032 S *	5/1987	Horiuchi	D21/578
D292,110 S *	9/1987	Tamakoshi	D21/578
D293,344 S *	12/1987	Shiraishi	D21/578
D293,346 S *	12/1987	Horiuchi	D21/578
D304,962 S *	12/1989	Watanabe	D21/578
D307,302 S *	4/1990	Horiuchi	D21/578
D313,821 S *	1/1991	Lynch	D20/3

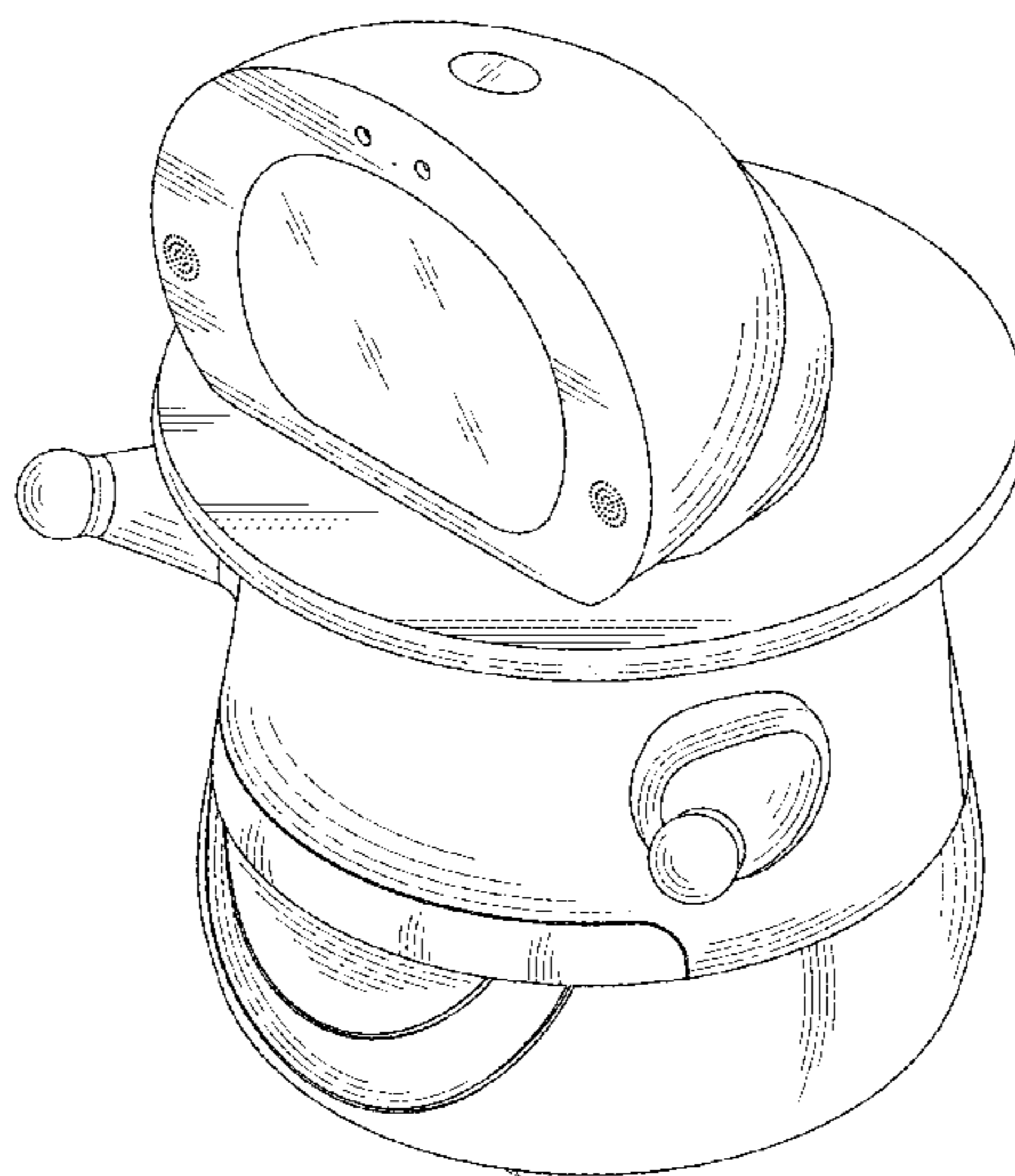
(57) **CLAIM**

The ornamental design for a pressure interactive robot, as shown and described.

DESCRIPTION

FIG. 1 is a perspective view of a pressure interactive robot of the petitioner's design in accordance with an embodiment. FIG. 2 is a front elevational view of the pressure interactive robot in accordance with the embodiment. FIG. 3 is a rear elevational view of the pressure interactive robot in accordance with the embodiment. FIG. 4 is a left-side, elevational view of pressure interactive robot in accordance with the embodiment. FIG. 5 is a right-side, elevational view of the pressure interactive robot in accordance with the embodiment. FIG. 6 is a top plan view of the pressure interactive robot in accordance with the embodiment; and, FIG. 7 is a bottom plan view of the pressure interactive robot in accordance with the embodiment. The broken lines in the drawings depict unclaimed environmental subject matter.

1 Claim, 7 Drawing Sheets



(56)

References Cited

U.S. PATENT DOCUMENTS

D644,256 S *	8/2011	Kitano	D15/199	D687,907 S *	8/2013	Hoang	D15/199
8,077,963 B2 *	12/2011	Wang	A61B 19/22 318/568.12	D688,329 S *	8/2013	Vinh Hoang	D15/199
D663,333 S *	7/2012	Kitano	D15/199	D695,345 S *	12/2013	Park	D19/59
D663,334 S *	7/2012	Kitano	D15/199	D696,324 S *	12/2013	Takahashi	D15/199
8,265,793 B2 *	9/2012	Cross	H04N 7/15 180/168	D701,256 S *	3/2014	Song	D15/199
8,272,466 B2 *	9/2012	Moriguchi	B25J 5/007 180/167	D709,141 S *	7/2014	Parker	D15/199
D677,744 S *	3/2013	Yu	D21/578	D710,953 S *	8/2014	Katsutani	D15/199
D685,438 S *	7/2013	Fan	D15/199	D719,620 S *	12/2014	Clerc	D15/199
					D719,621 S *	12/2014	Song	D21/578
					D725,166 S *	3/2015	Paik	D15/199
					D725,167 S *	3/2015	Song	D15/199
					D726,836 S *	4/2015	Song	D15/199
					9,174,342 B2 *	11/2015	Pinter	G06Q 50/22

* cited by examiner

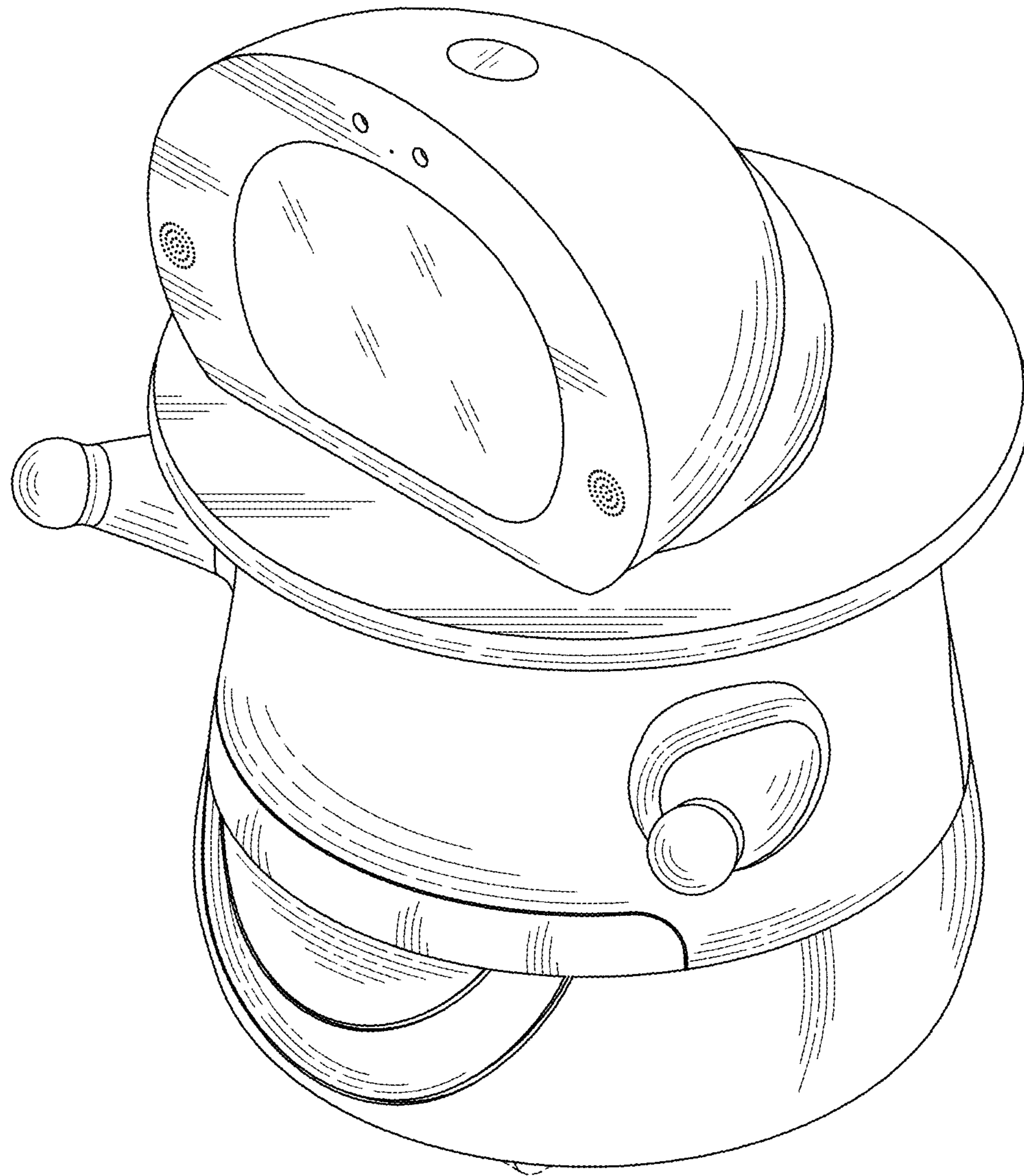


FIG. 1

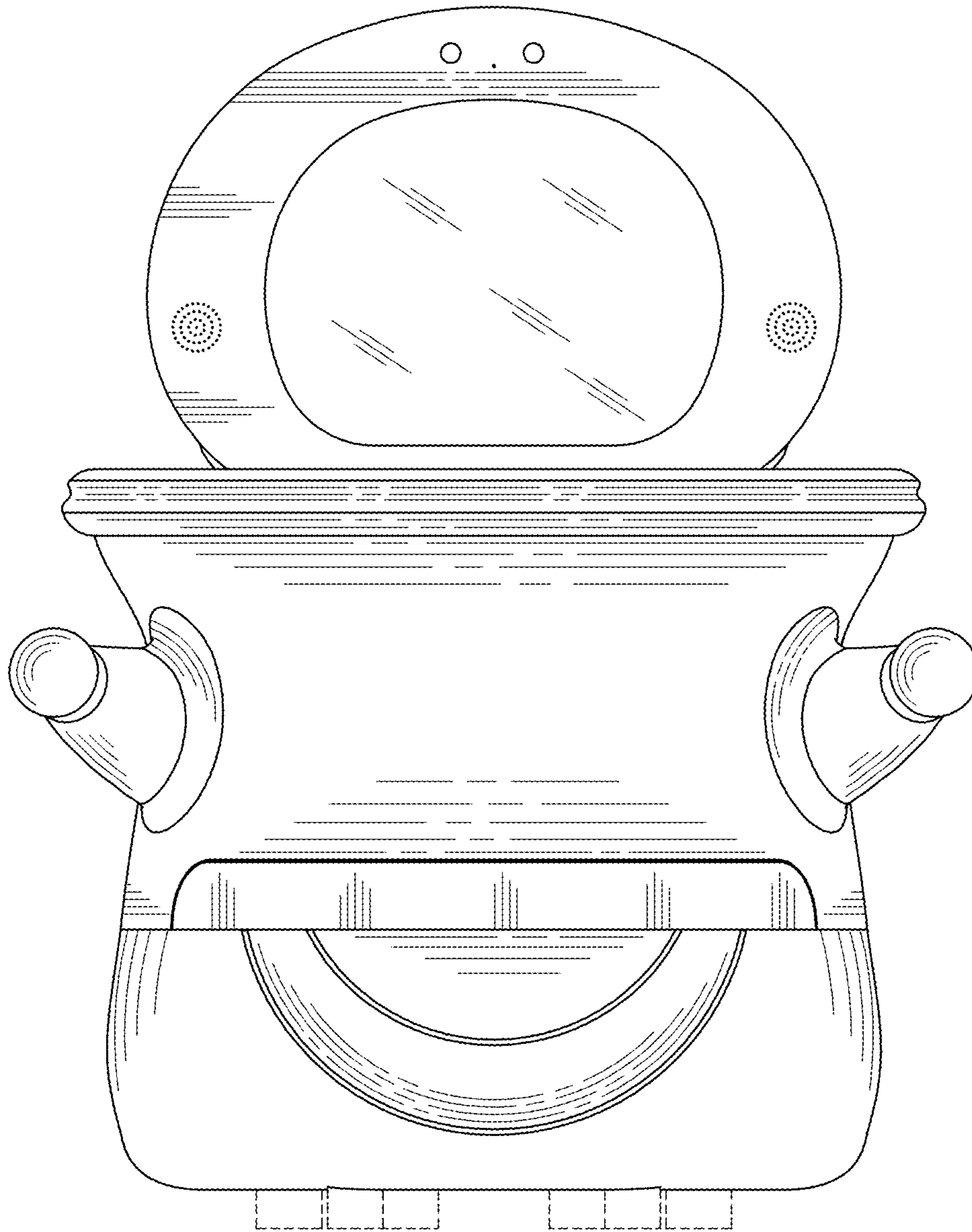


FIG. 2

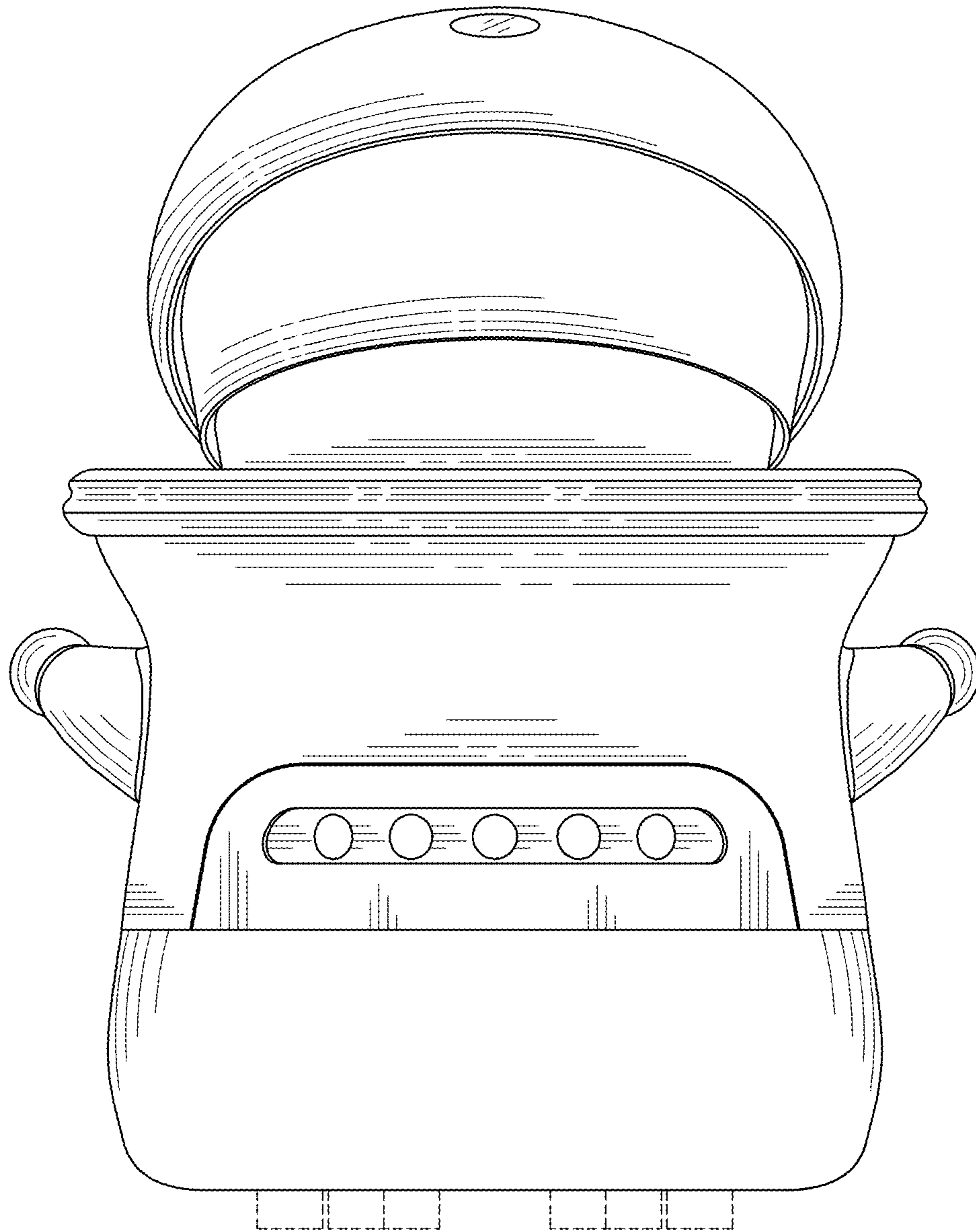


FIG. 3

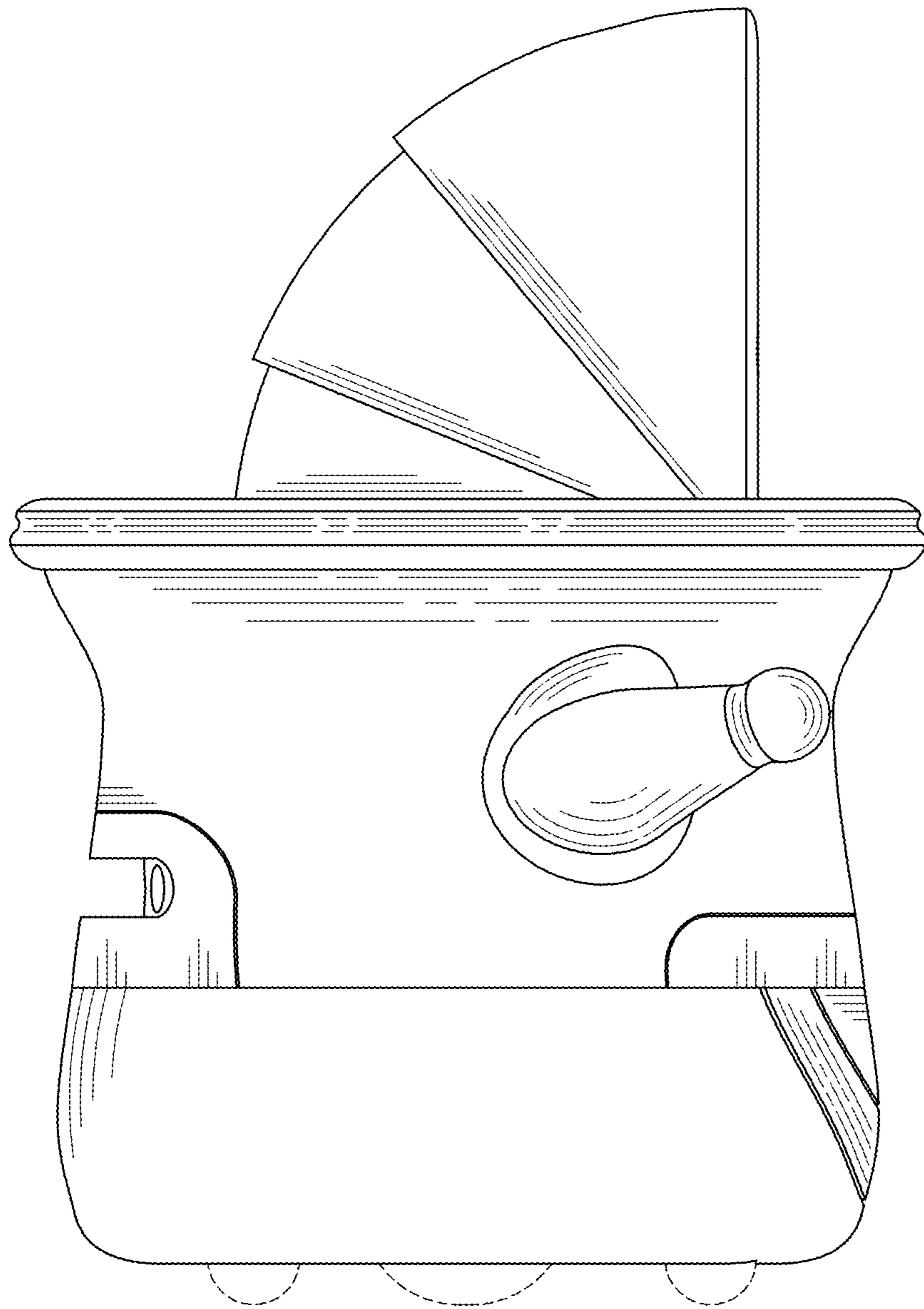


FIG. 4

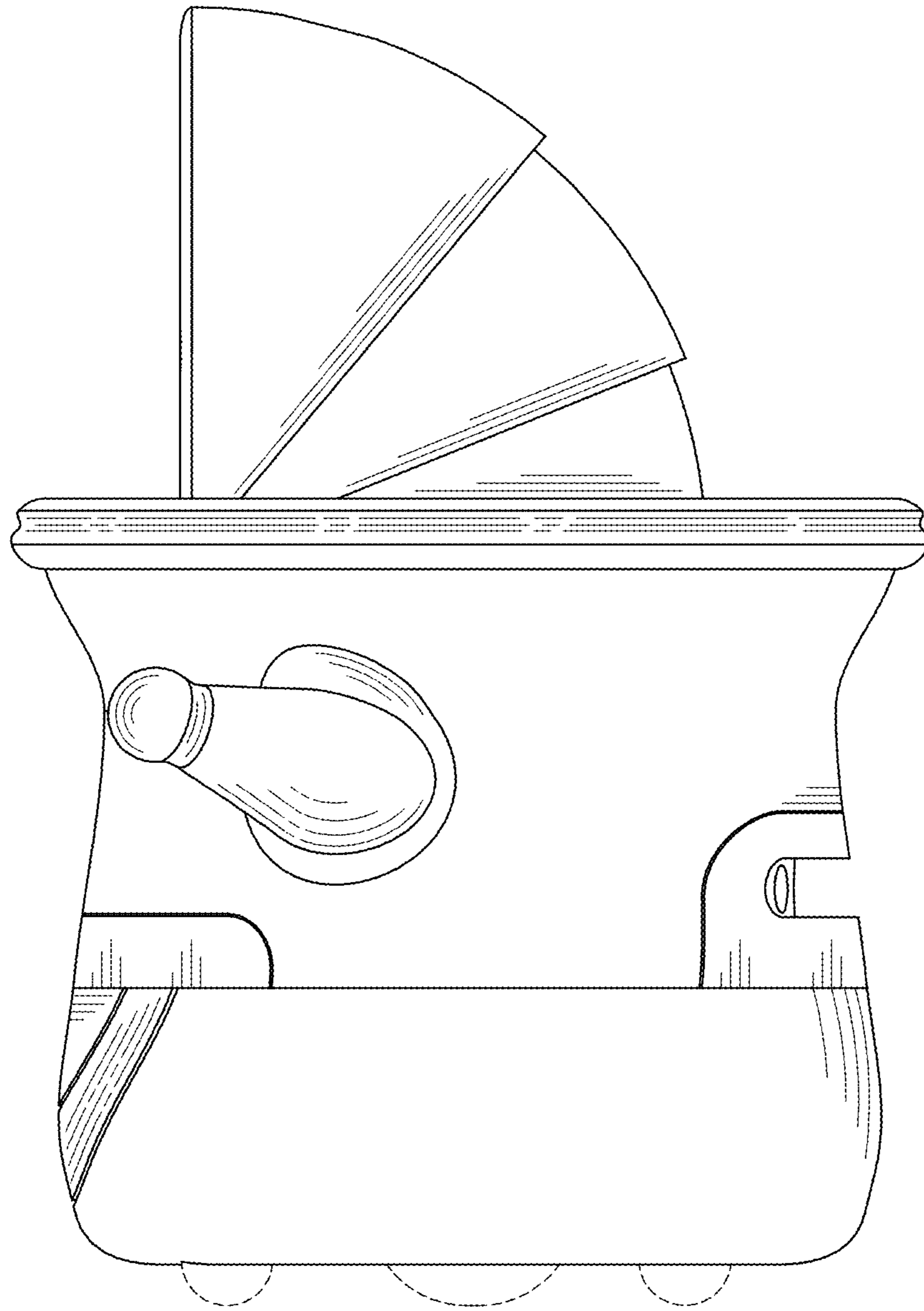


FIG. 5

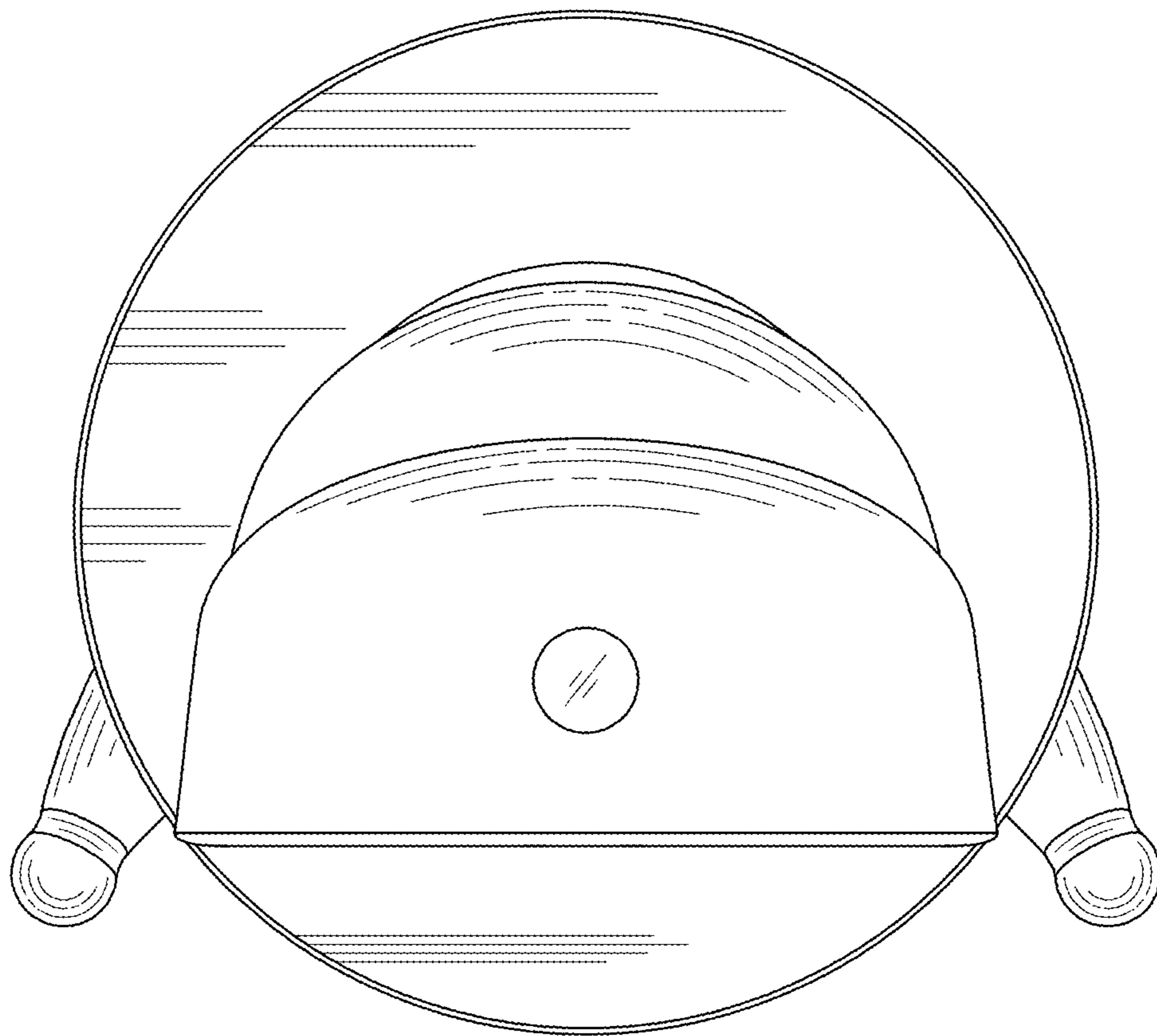


FIG. 6

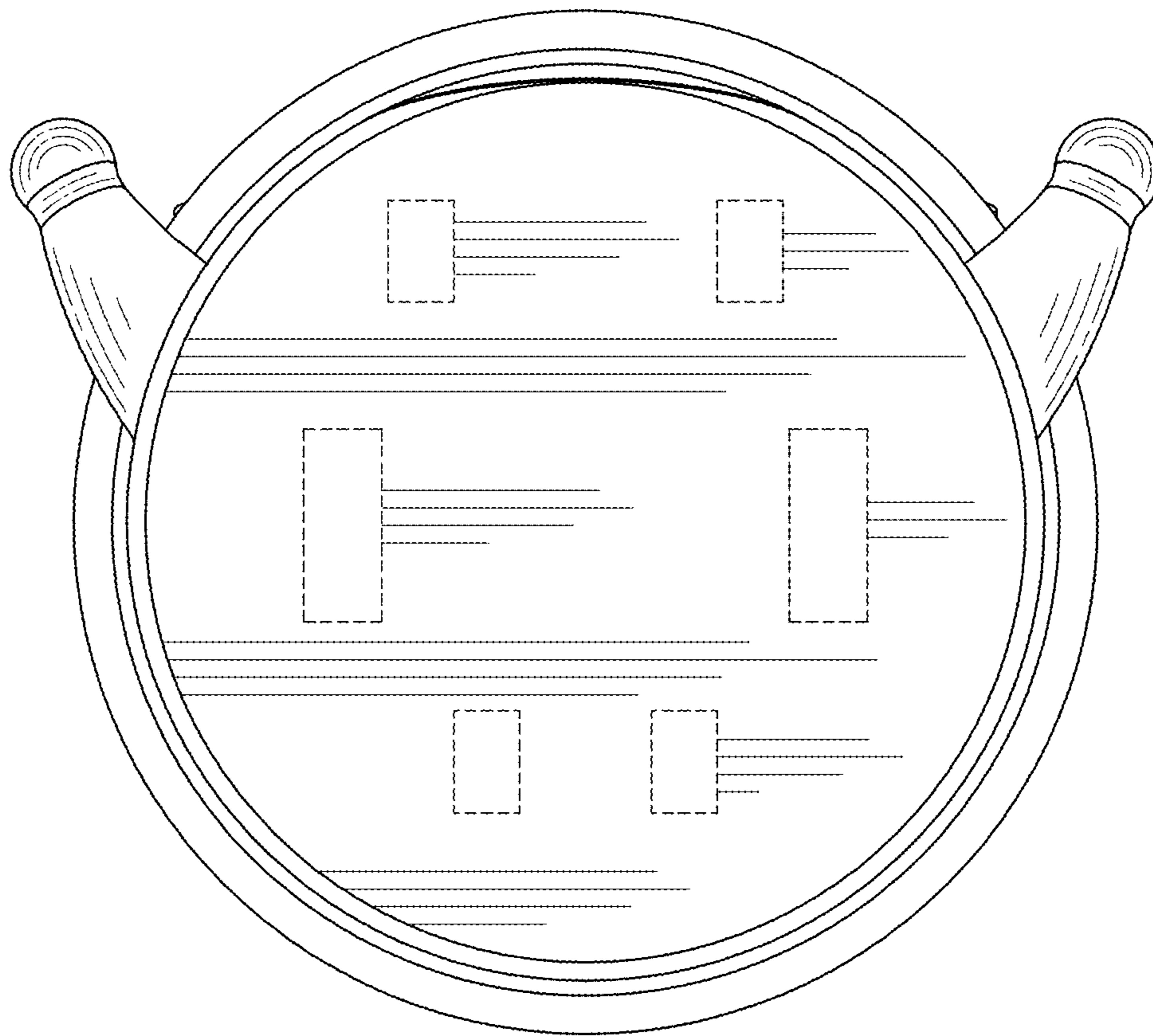


FIG. 7