



US00D761892S

(12) **United States Design Patent**  
**McCarty et al.**

(10) **Patent No.:** **US D761,892 S**  
(45) **Date of Patent:** **\*\* Jul. 19, 2016**

- (54) **VACUUM PORT**
- (71) Applicant: **STOLLE MACHINERY COMPANY, LLC**, Centennial, CO (US)
- (72) Inventors: **Patrick K. McCarty**, Dayton, OH (US); **Aaron E. Carstens**, Centerville, OH (US)
- (73) Assignee: **Stolle Machinery Company, LLC**, Centennial, CO (US)
- (\*\*) Term: **14 Years**
- (21) Appl. No.: **29/524,337**
- (22) Filed: **Apr. 20, 2015**

6,499,771	B1 *	12/2002	Snyder, Sr. ....	F16L 37/091
				285/319
6,912,788	B2 *	7/2005	Tam .....	B23D 49/162
				15/339
D586,433	S *	2/2009	Price .....	D23/259
7,661,719	B1 *	2/2010	Nastri .....	F16L 5/00
				285/129.1
D615,631	S *	5/2010	Price .....	D23/263
D639,406	S *	6/2011	Bickerstaffe .....	D23/300
D665,062	S *	8/2012	Ball .....	D23/263
D684,669	S *	6/2013	Eilmus .....	D23/243
D686,702	S *	7/2013	Eilmus .....	D23/243
D686,703	S *	7/2013	Eilmus .....	D23/243
D691,246	S *	10/2013	Ward .....	D23/262
8,544,438	B2 *	10/2013	Lohr .....	F02M 25/06
				123/184.21

(Continued)

**Related U.S. Application Data**

- (62) Division of application No. 29/457,031, filed on Jun. 6, 2013, now Pat. No. Des. 730,417.
- (51) **LOC (10) Cl.** ..... **15-09**
- (52) **U.S. Cl.**  
USPC ..... **D15/138**
- (58) **Field of Classification Search**  
USPC ..... D15/138; D23/206  
See application file for complete search history.

**References Cited**

**U.S. PATENT DOCUMENTS**

D134,922	S *	1/1943	Hart .....	D15/138
3,699,997	A *	10/1972	Kruger .....	F16K 51/02
				137/320
4,460,361	A *	7/1984	Nichols .....	A61M 1/0001
				604/319
5,193,859	A *	3/1993	McKinnon .....	B29C 33/123
				285/236
5,366,257	A *	11/1994	McPherson .....	F16L 47/32
				285/148.11
5,625,947	A *	5/1997	Crawford .....	B01J 3/03
				29/890.14
6,317,997	B1 *	11/2001	Kooznetsoff .....	F26B 5/04
				34/92
D465,230	S *	11/2002	Kreger .....	D15/138

*Primary Examiner* — Patricia Palasik

(74) *Attorney, Agent, or Firm* — Eckert Seamans Cherin & Mellott, LLC; Grant E. Coffield; John P. Powers

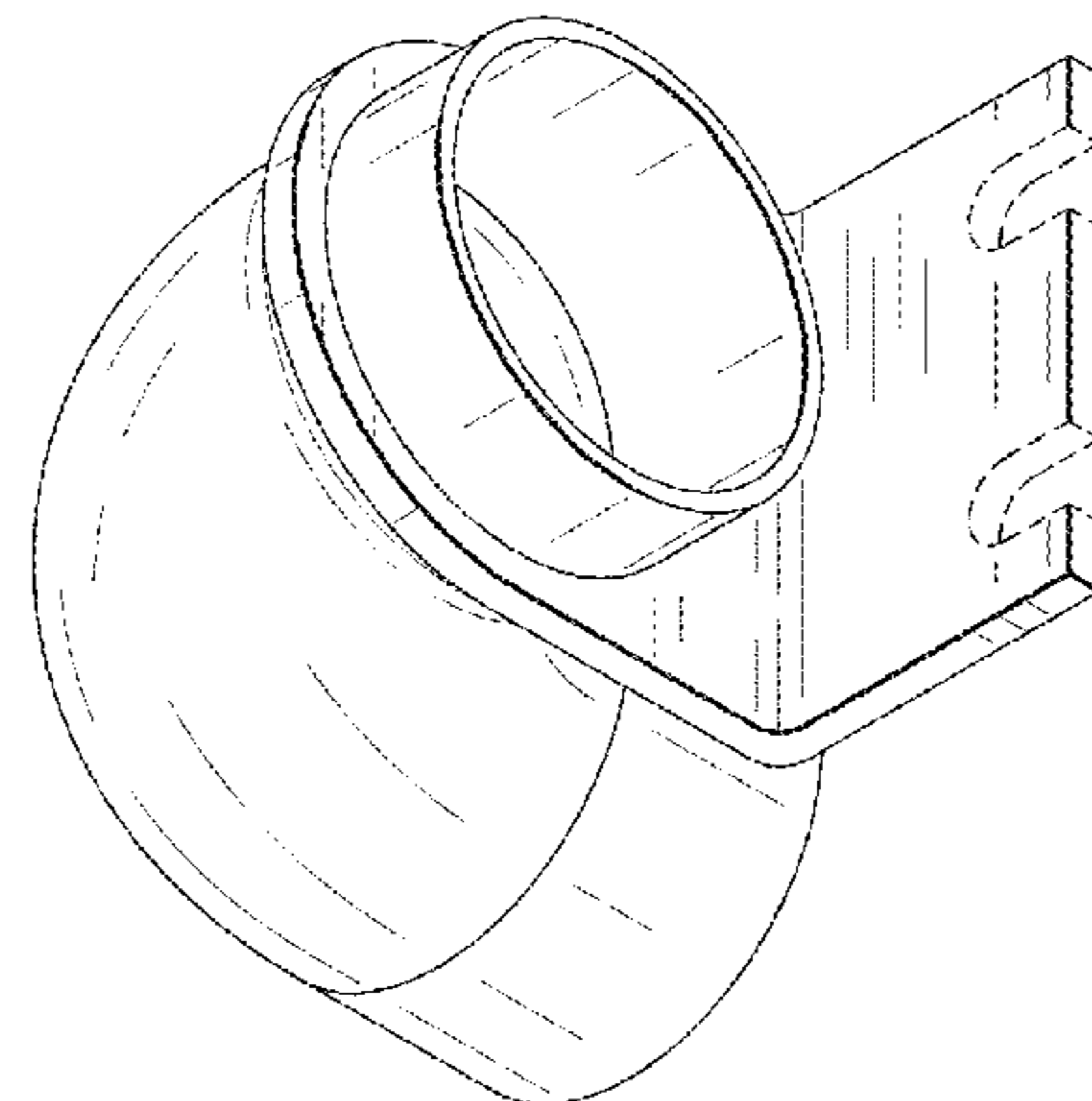
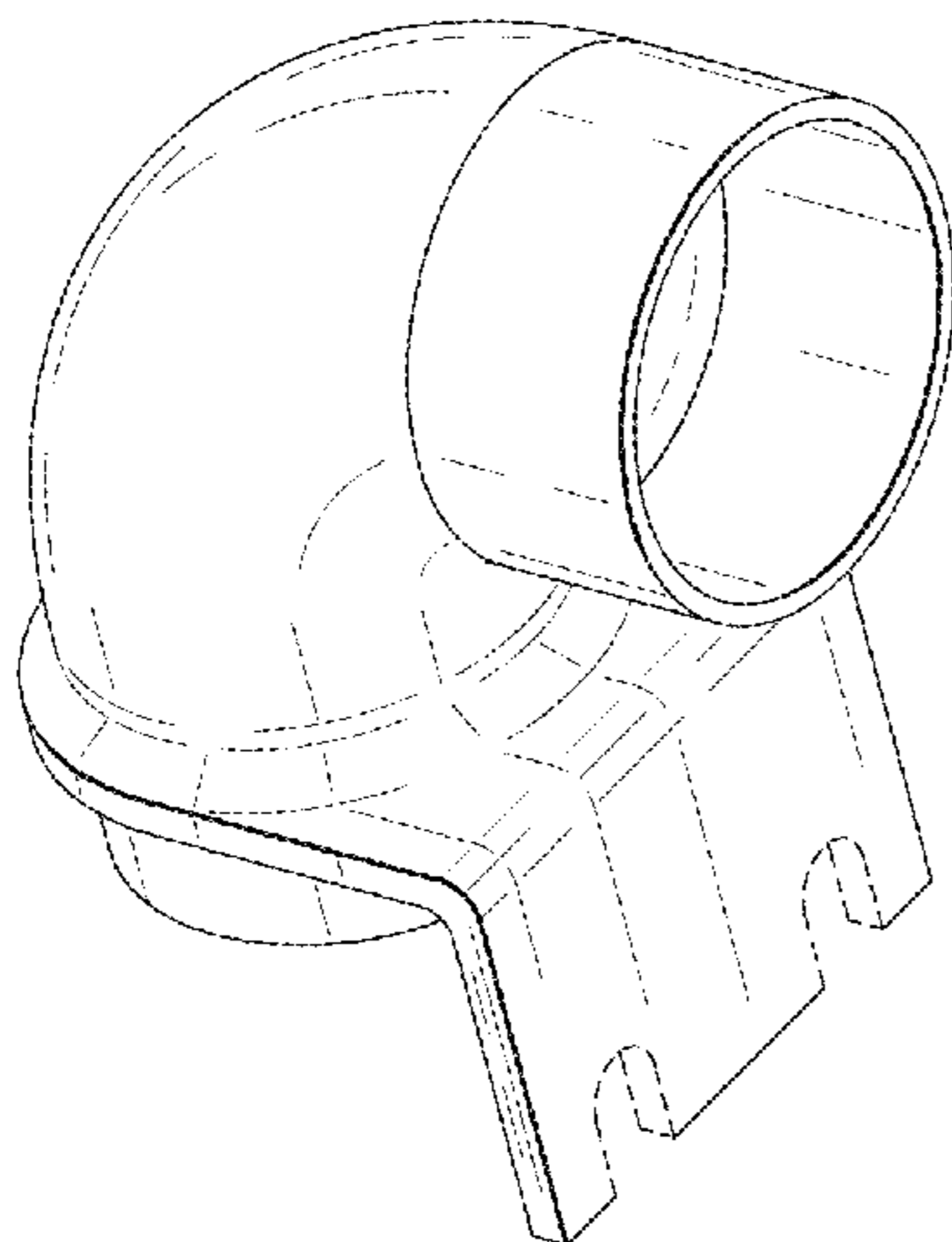
(57) **CLAIM**

The ornamental design for a vacuum port, as shown and described.

**DESCRIPTION**

FIG. 1 is an isometric view of a vacuum port in accordance with an embodiment of the invention;  
 FIG. 2 is a bottom isometric view of the vacuum port of FIG. 1;  
 FIG. 3 is a top view of the vacuum port of FIG. 1;  
 FIG. 4 is a right view of the vacuum port of FIG. 1;  
 FIG. 5 is a bottom view of the vacuum port of FIG. 1;  
 FIG. 6 is a front view of the vacuum port of FIG. 1;  
 FIG. 7 is a back view of the vacuum port of FIG. 1; and,  
 FIG. 8 is a section view taken along line 8-8 of FIG. 6.  
 The portions shown in broken lines are for illustrative purposes only and do not form a part of the claimed design. The left side elevational view (not shown) of the vacuum port is a mirror image of the right side elevational view.

**1 Claim, 4 Drawing Sheets**



# US D761,892 S

Page 2

---

(56)

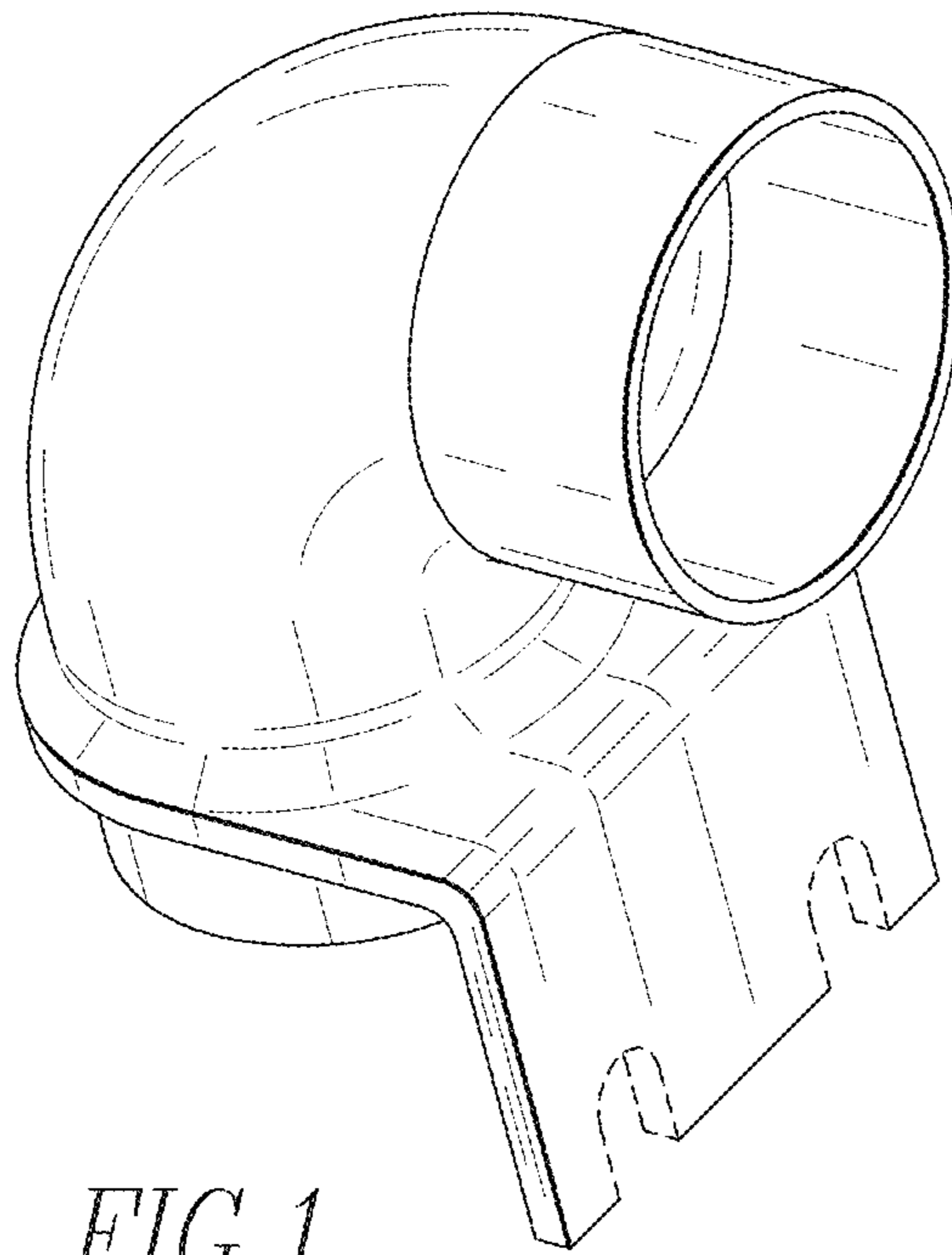
## References Cited

### U.S. PATENT DOCUMENTS

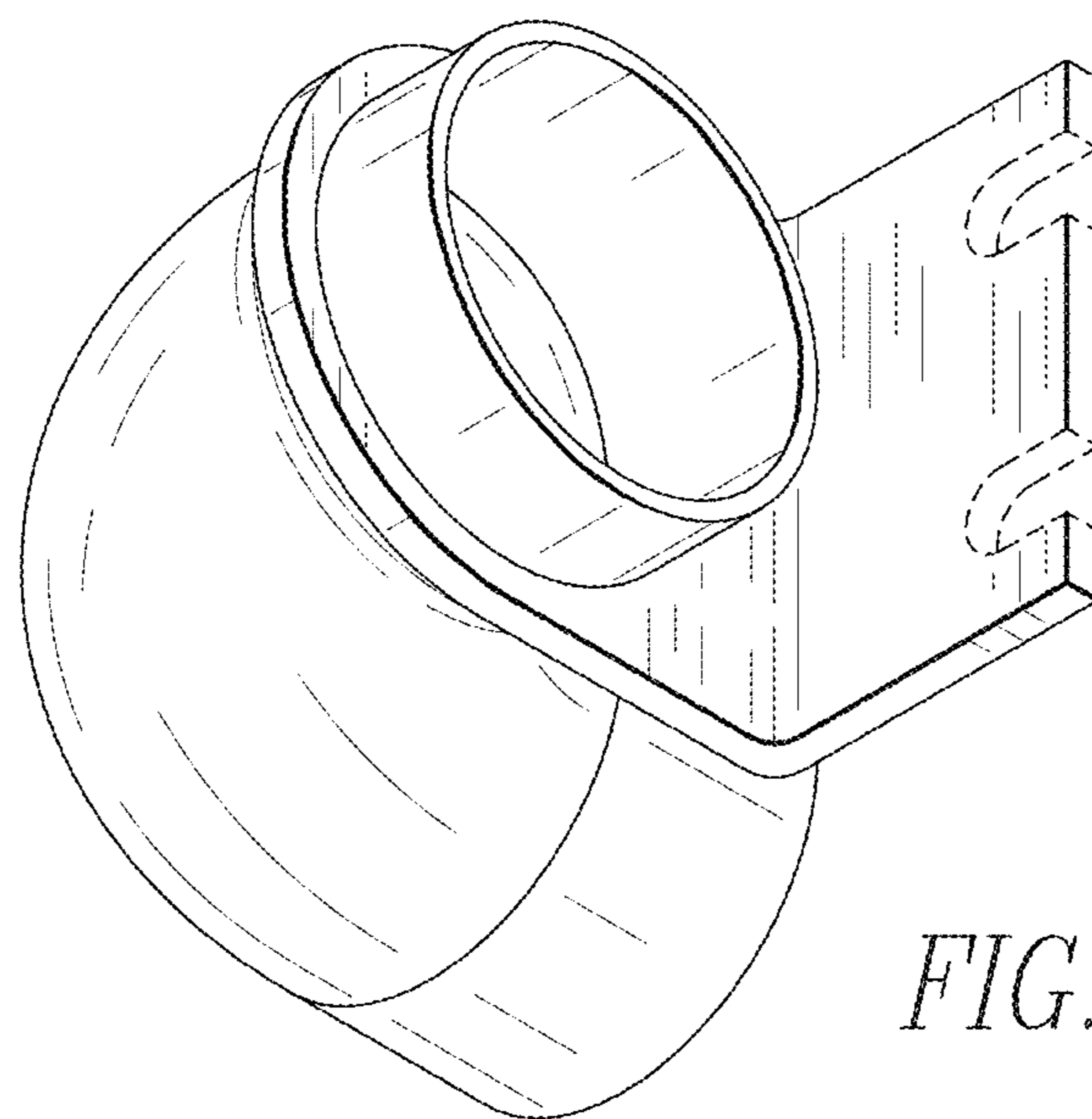
8,567,365 B2 \* 10/2013 Lohr ..... F02M 35/10229  
123/184.21  
D705,402 S \* 5/2014 Yu ..... D23/262

D712,015 S \* 8/2014 Yu ..... D23/263  
D717,844 S \* 11/2014 Cappuccio ..... D15/133  
D718,337 S \* 11/2014 Mitsuda ..... D15/5  
D730,417 S \* 5/2015 McCarty ..... D15/138

\* cited by examiner

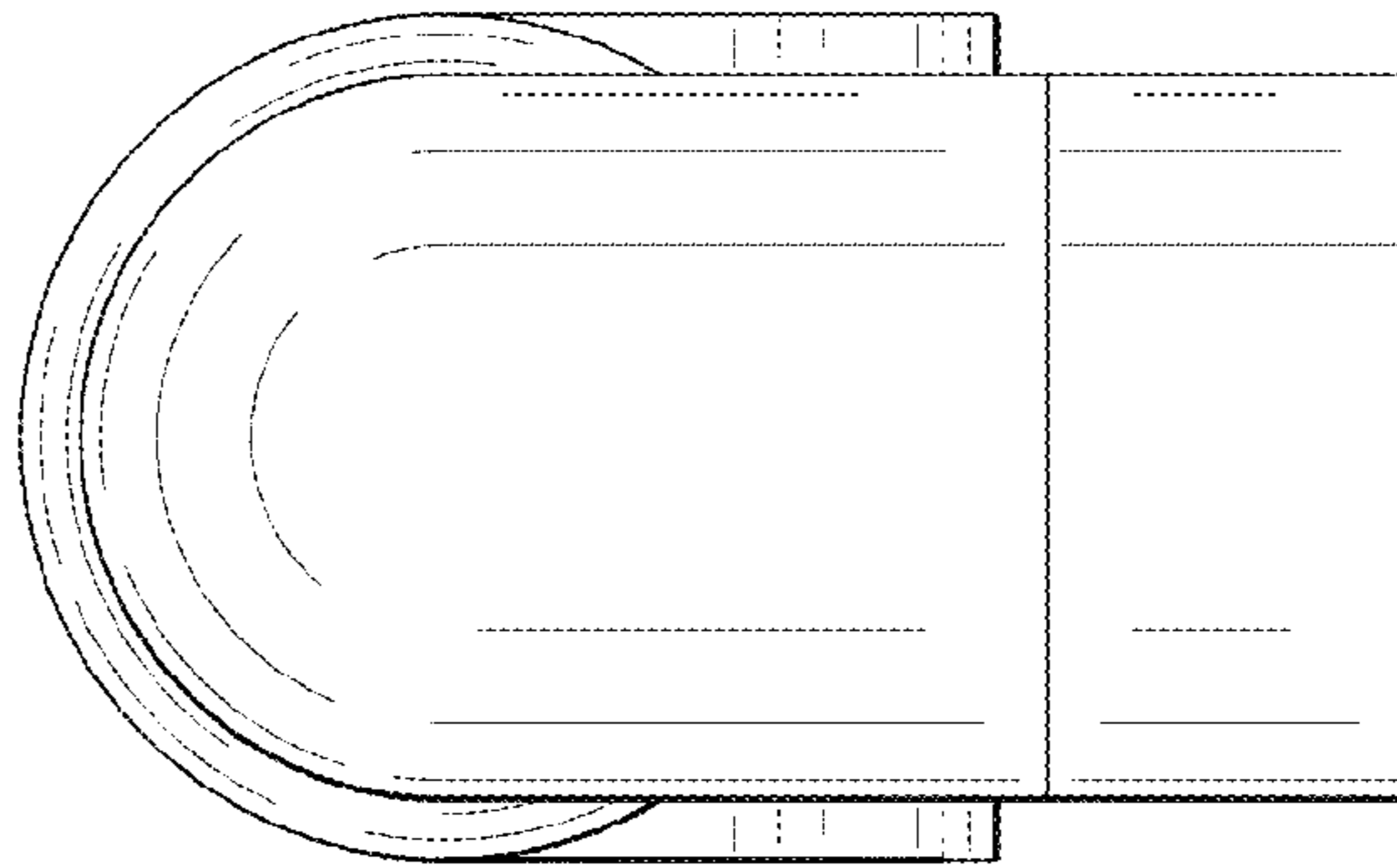


*FIG. 1*

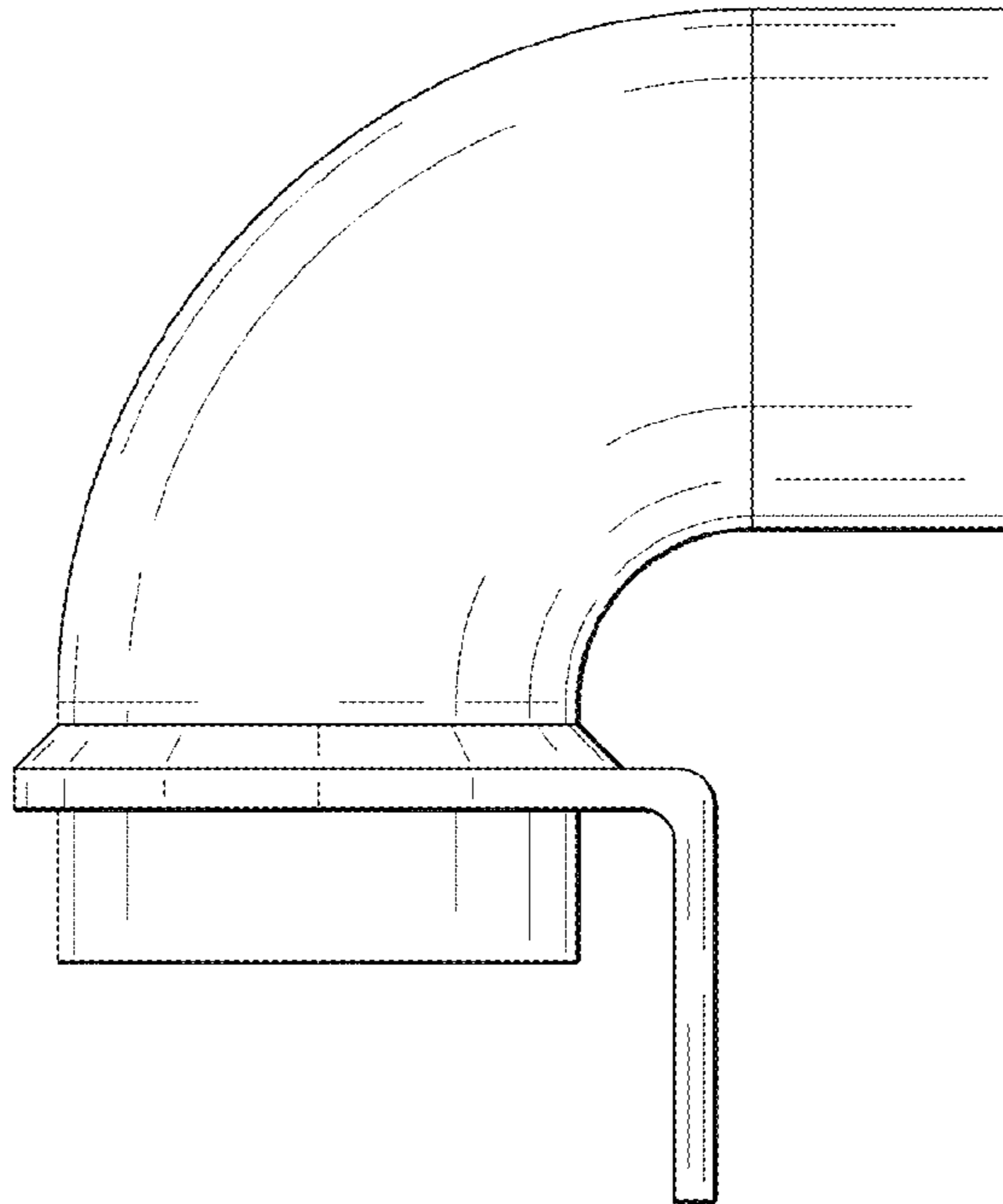


*FIG. 2*

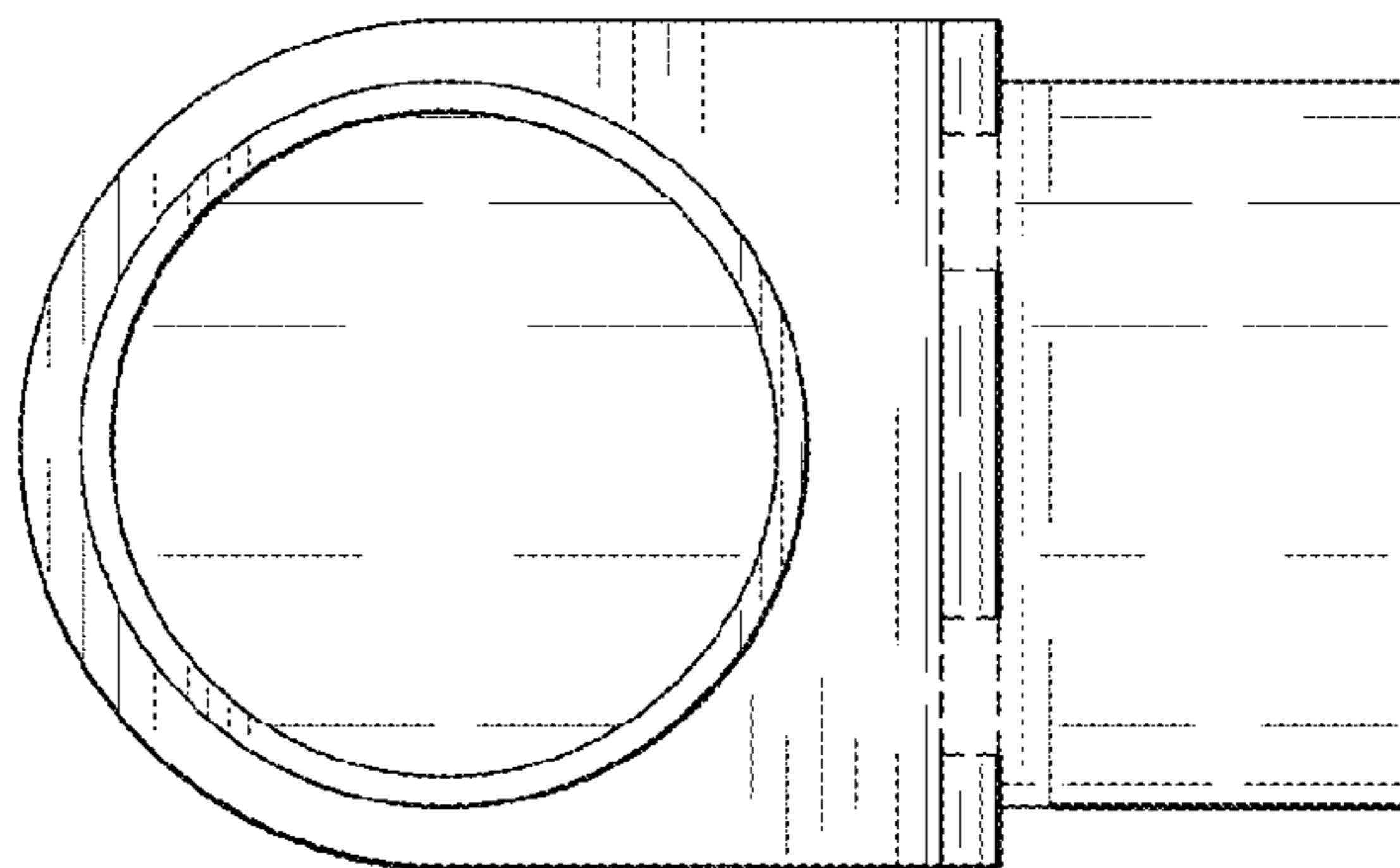
*FIG. 3*



*FIG. 4*



*FIG. 5*



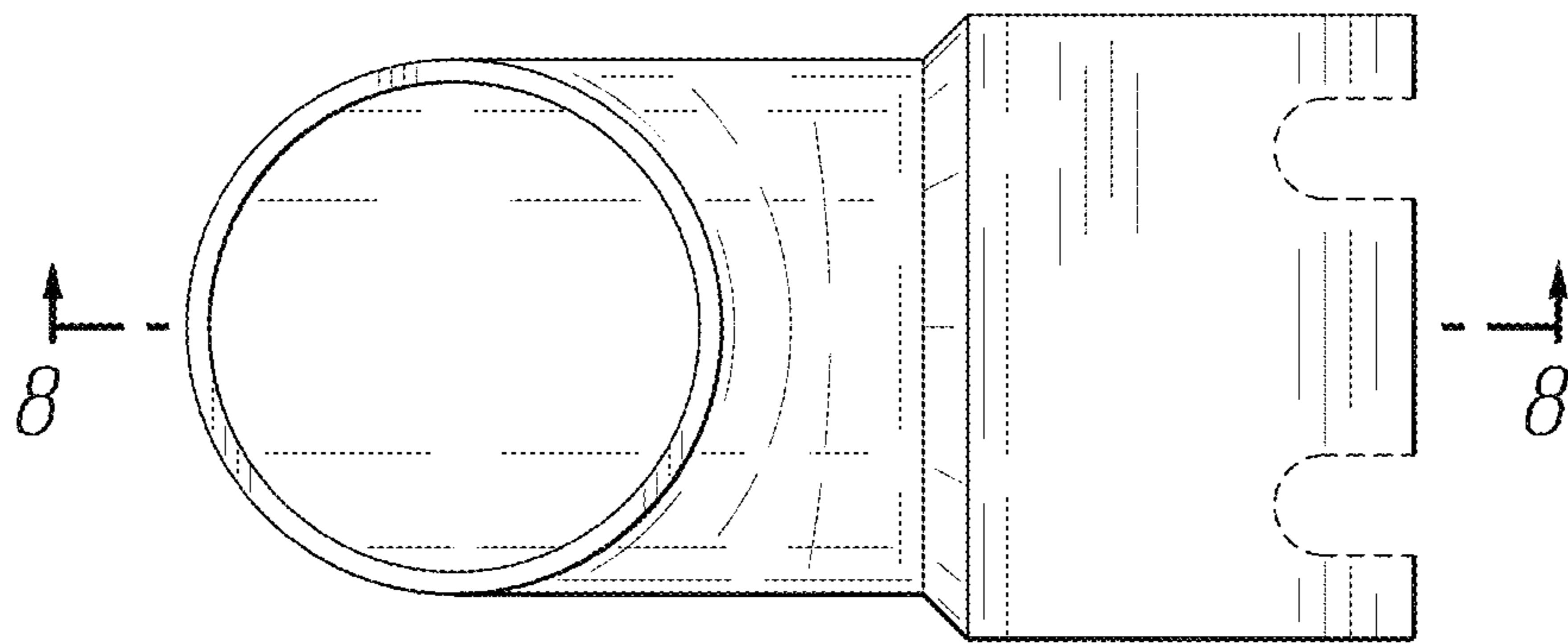


FIG. 6

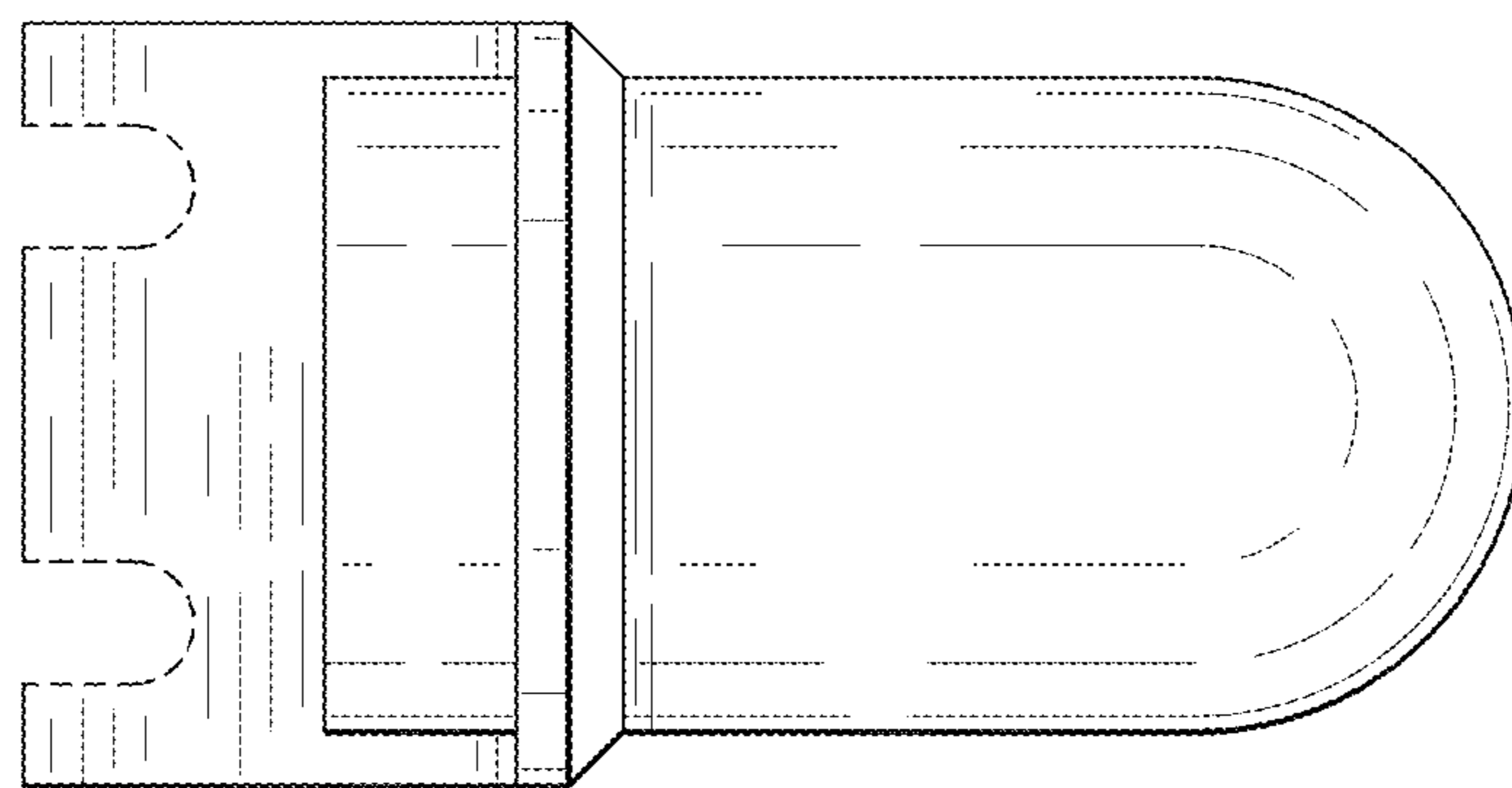
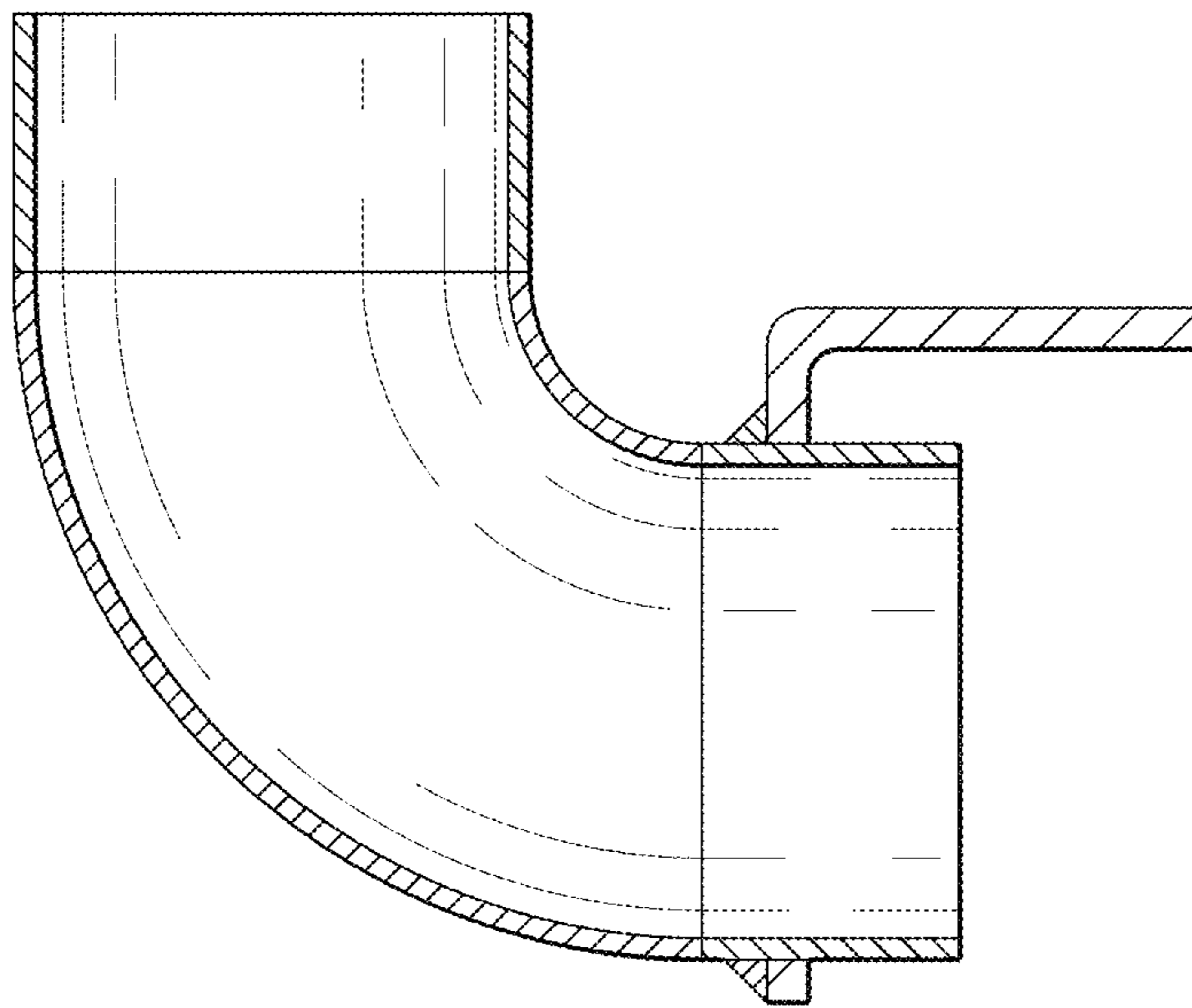


FIG. 7



*FIG. 8*