

US00D761889S

(12) **United States Design Patent**  
**Seo et al.**

(10) **Patent No.:** **US D761,889 S**  
(45) **Date of Patent:** **\*\* Jul. 19, 2016**

(54) **DISPENSER FOR REFRIGERATOR**

(71) Applicant: **LG ELECTRONICS INC.**, Seoul (KR)

(72) Inventors: **Woonkyu Seo**, Seoul (KR); **Seonil Yu**,  
Seoul (KR); **Daesung Lee**, Seoul (KR);  
**Hyein Yang**, Seoul (KR)

(73) Assignee: **LG ELECTRONICS INC.**, Seoul (KR)

(\*\*) Term: **15 Years**

(21) Appl. No.: **29/531,215**

(22) Filed: **Jun. 24, 2015**

(30) **Foreign Application Priority Data**

Jan. 21, 2015 (KR) ..... 30-2015-0003264

(51) **LOC (10) Cl.** ..... **15-07**

(52) **U.S. Cl.**  
USPC ..... **D15/89**

(58) **Field of Classification Search**  
USPC ..... D15/79-91  
CPC ..... F25B 21/02; F25B 2321/02; F25B 1/005;  
F25B 2321/0252; F25B 1/00; F25B 1/10;  
F25B 21/04; F25B 2339/047; F25B 5/02;  
F25B 7/00; F25B 13/00; F25B 1/053; F25B  
2309/06; F25B 2321/021; F25B 2321/023;  
F25D 23/028; F25D 23/02; F25D 25/025;  
F25D 23/00; F25D 2323/021; F25D 11/00;  
F25D 2323/024; F25D 23/04; F25D 29/00;  
F25D 25/02; F25D 25/024; F25D 27/005;  
F25D 23/12; F25D 29/005; F25D 17/042;  
F25D 2325/021

See application file for complete search history.

(56) **References Cited**

**U.S. PATENT DOCUMENTS**

D365,579 S 12/1995 Baker  
D568,913 S 5/2008 Suh

D569,399 S 5/2008 Crookshanks  
D710,403 S \* 8/2014 Seo ..... D15/89  
D715,336 S 10/2014 Sin  
D727,378 S \* 4/2015 Jeon ..... D15/89  
D735,252 S \* 7/2015 Lee ..... D15/89

**OTHER PUBLICATIONS**

U.S. Notice of Allowance issued in U.S. Appl. No. 29/531,316 dated  
Apr. 11, 2016.  
U.S. Notice of Allowance issued in U.S. Appl. No. 29/531,317 dated  
Apr. 18, 2016.  
U.S. Notice of Allowance issued in U.S. Appl. No. 29/531,208 dated  
Apr. 25, 2016.  
U.S. Notice of Allowance issued in U.S. Appl. No. 29/531,211 dated  
Apr. 20, 2016.

(Continued)

*Primary Examiner* — Daniel Bui

*Assistant Examiner* — Khawaja Anwar

(74) *Attorney, Agent, or Firm* — KED & Associates, LLP

(57) **CLAIM**

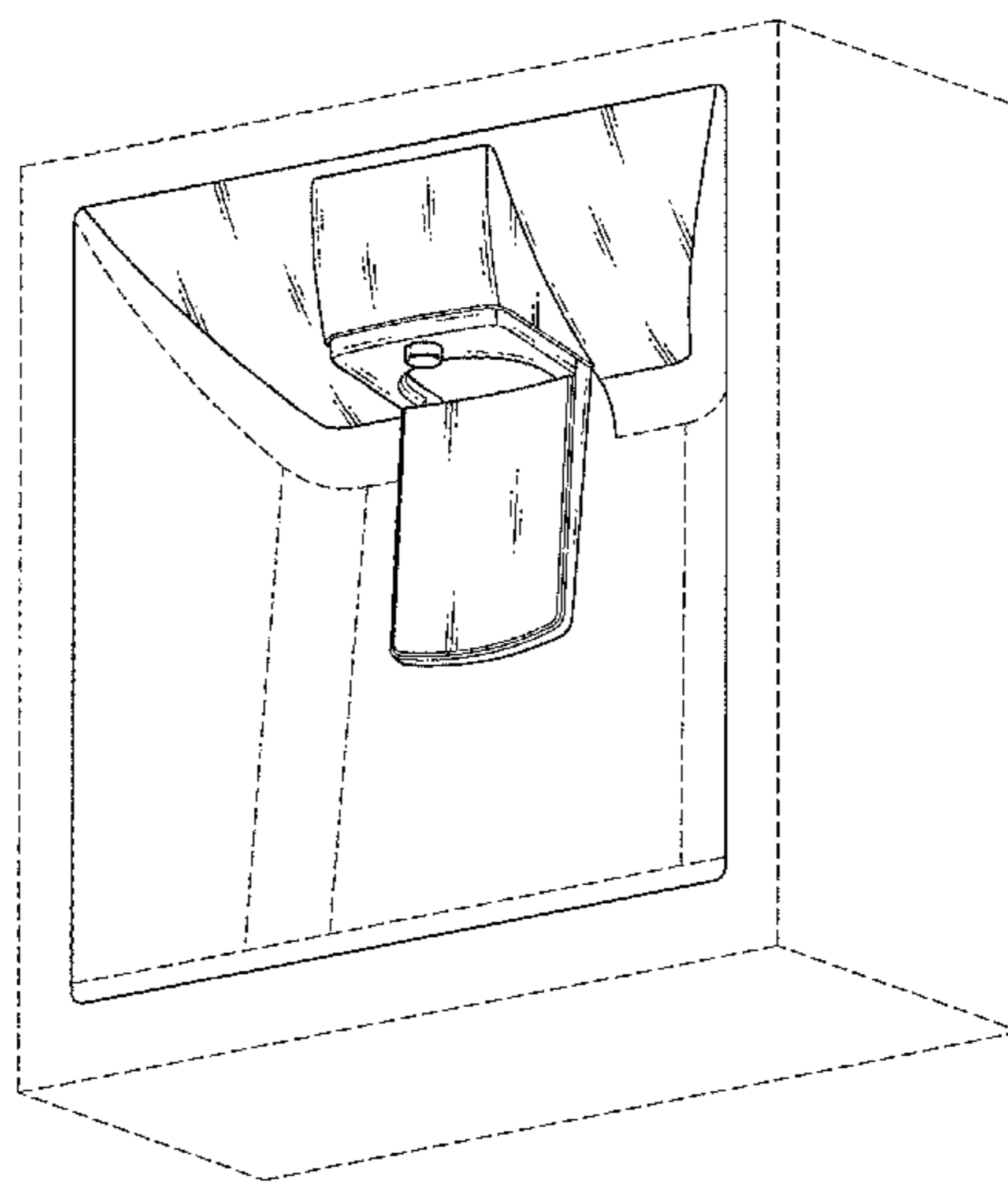
We claim the ornamental design for a dispenser for refrigerator,  
as shown and described.

**DESCRIPTION**

FIG. 1 is a looked-up perspective view of a dispenser for refrigerator showing our new design;  
FIG. 2 is a front elevation view thereof;  
FIG. 3 is a rear elevation view thereof;  
FIG. 4 is a left-side elevation view thereof;  
FIG. 5 is a right-side elevation view thereof;  
FIG. 6 is a top plan view thereof;  
FIG. 7 is a bottom plan view thereof;  
FIG. 8 is a looked-down perspective view thereof; and,  
FIG. 9 is a longitudinal sectional view taken along line 9-9 in FIG. 2.

The broken lines in the drawing figures are included for the purpose of illustrating environment and form no part of the claimed design.

**1 Claim, 7 Drawing Sheets**



(56)

**References Cited**

OTHER PUBLICATIONS

U.S. Notice of Allowance issued in U.S. Appl. No. 29/531,212 dated Apr. 25, 2016.

U.S. Notice of Allowance issued in U.S. Appl. No. 29/531,221 dated Apr. 25, 2016.

U.S. Notice of Allowance issued in U.S. Appl. No. 29/531,223 dated Apr. 25, 2016.

\* cited by examiner

FIG. 1

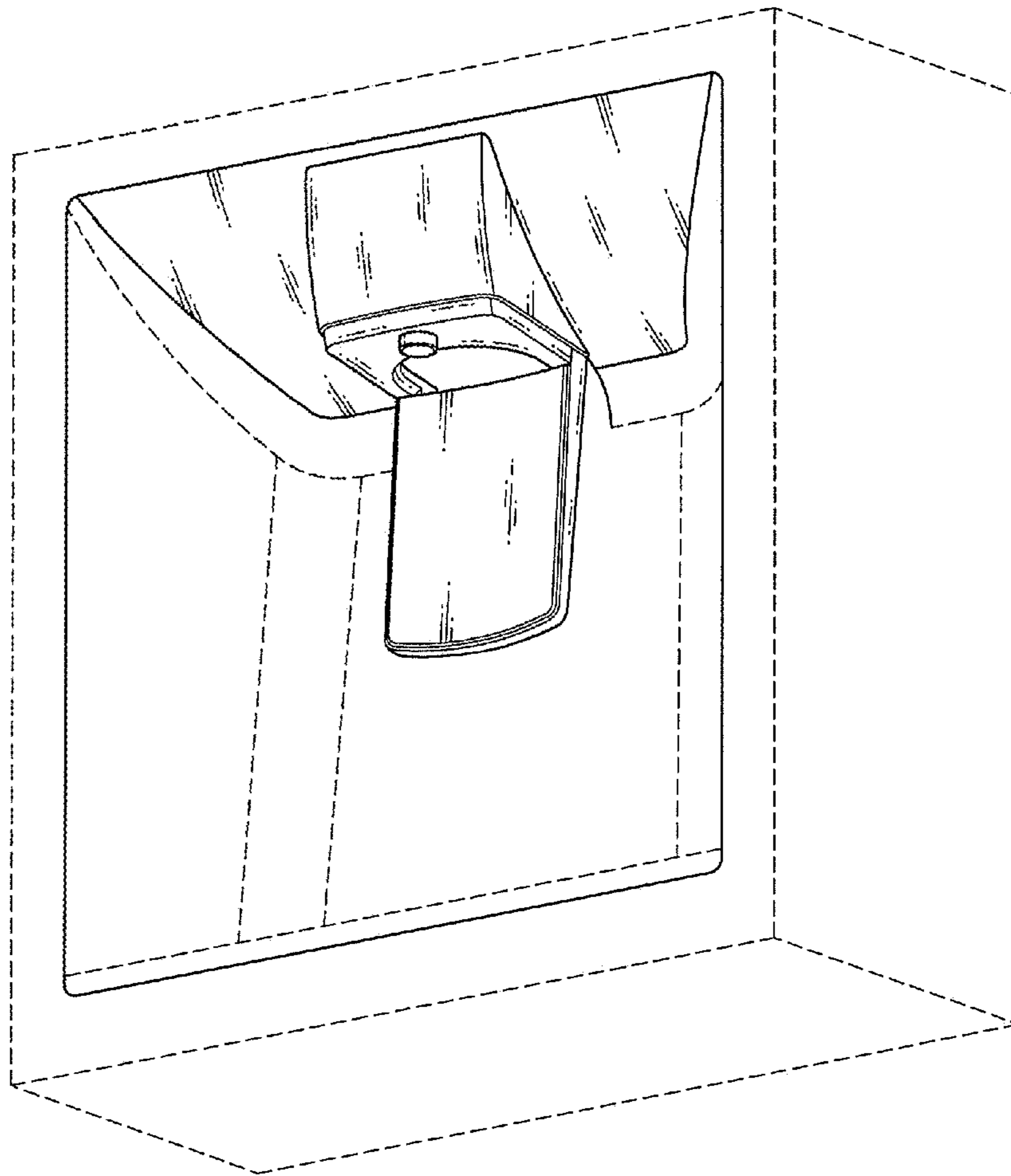


FIG. 2

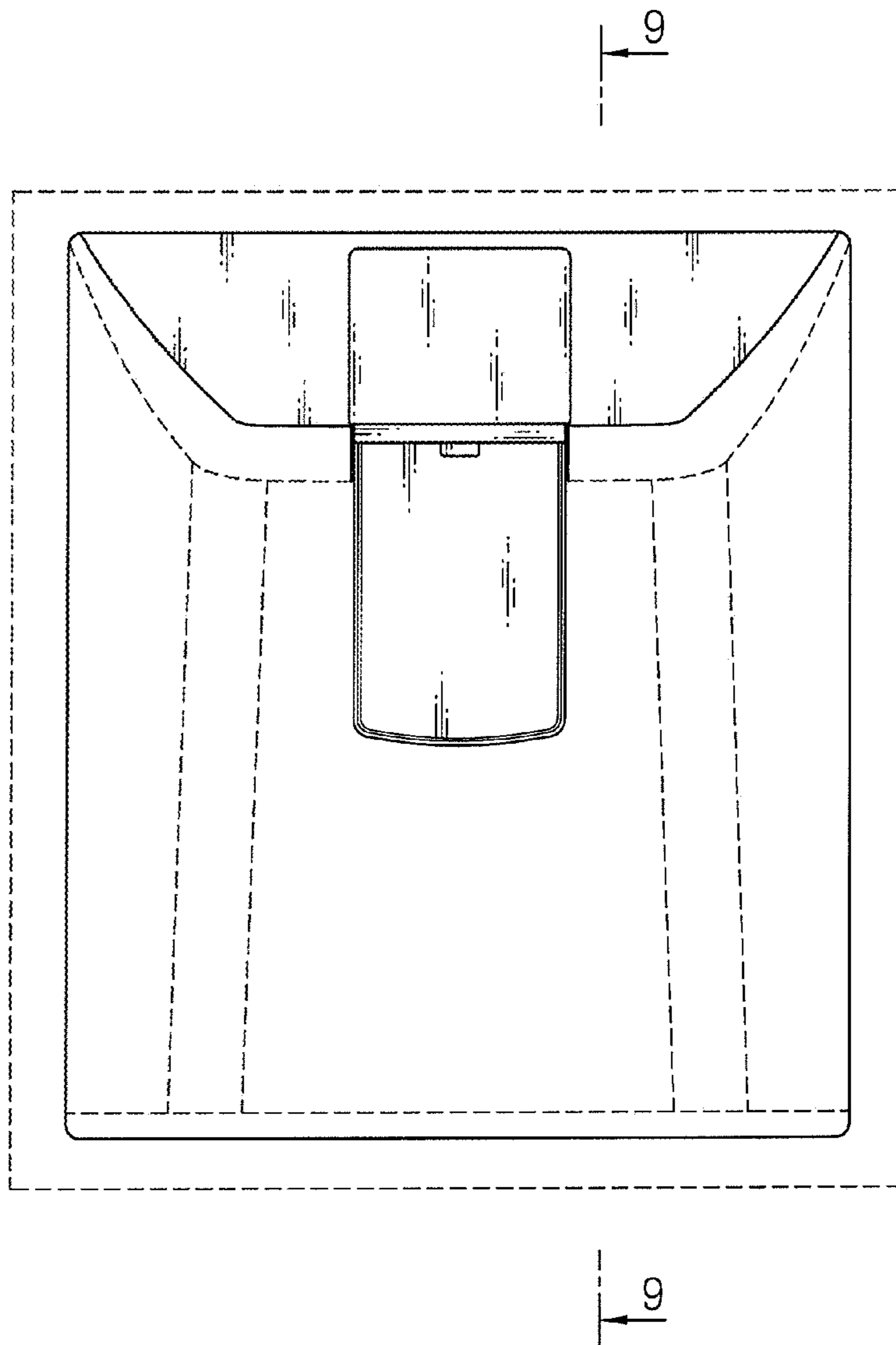


FIG. 3

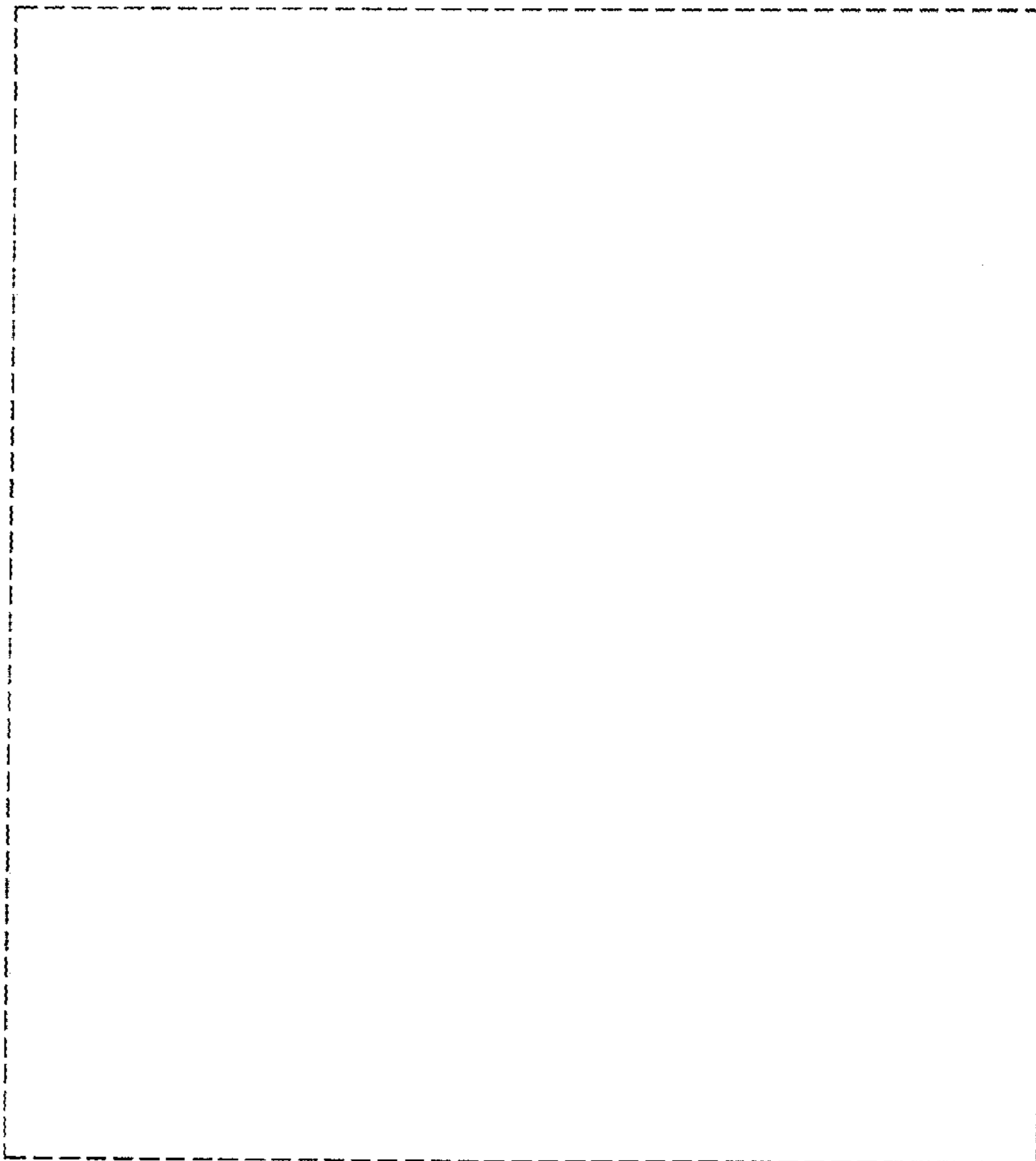


FIG.4

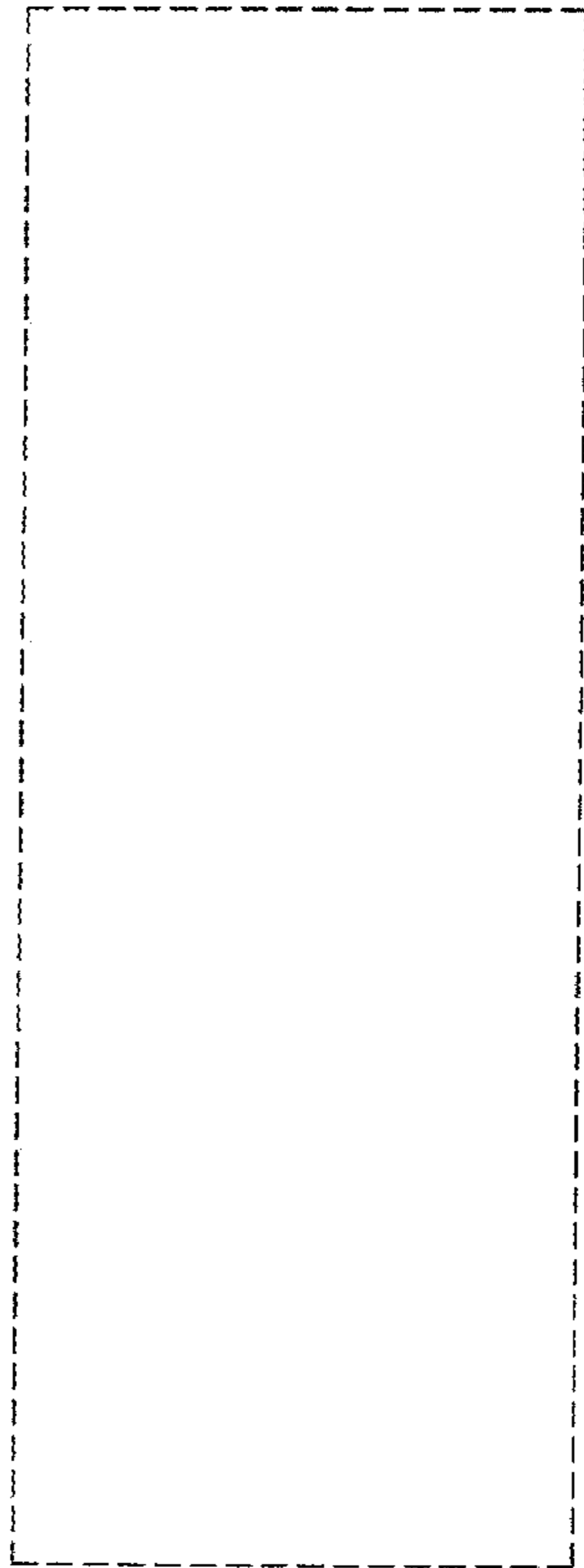


FIG.5

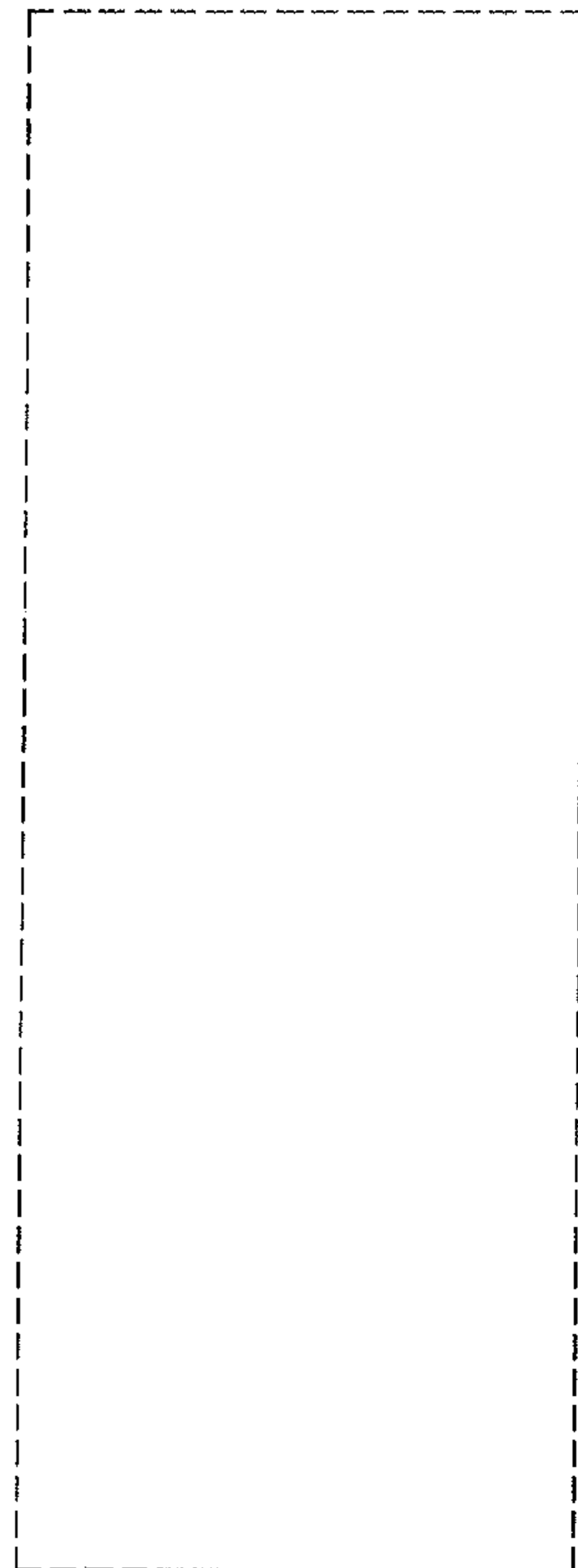


FIG.6



FIG.7



FIG. 8

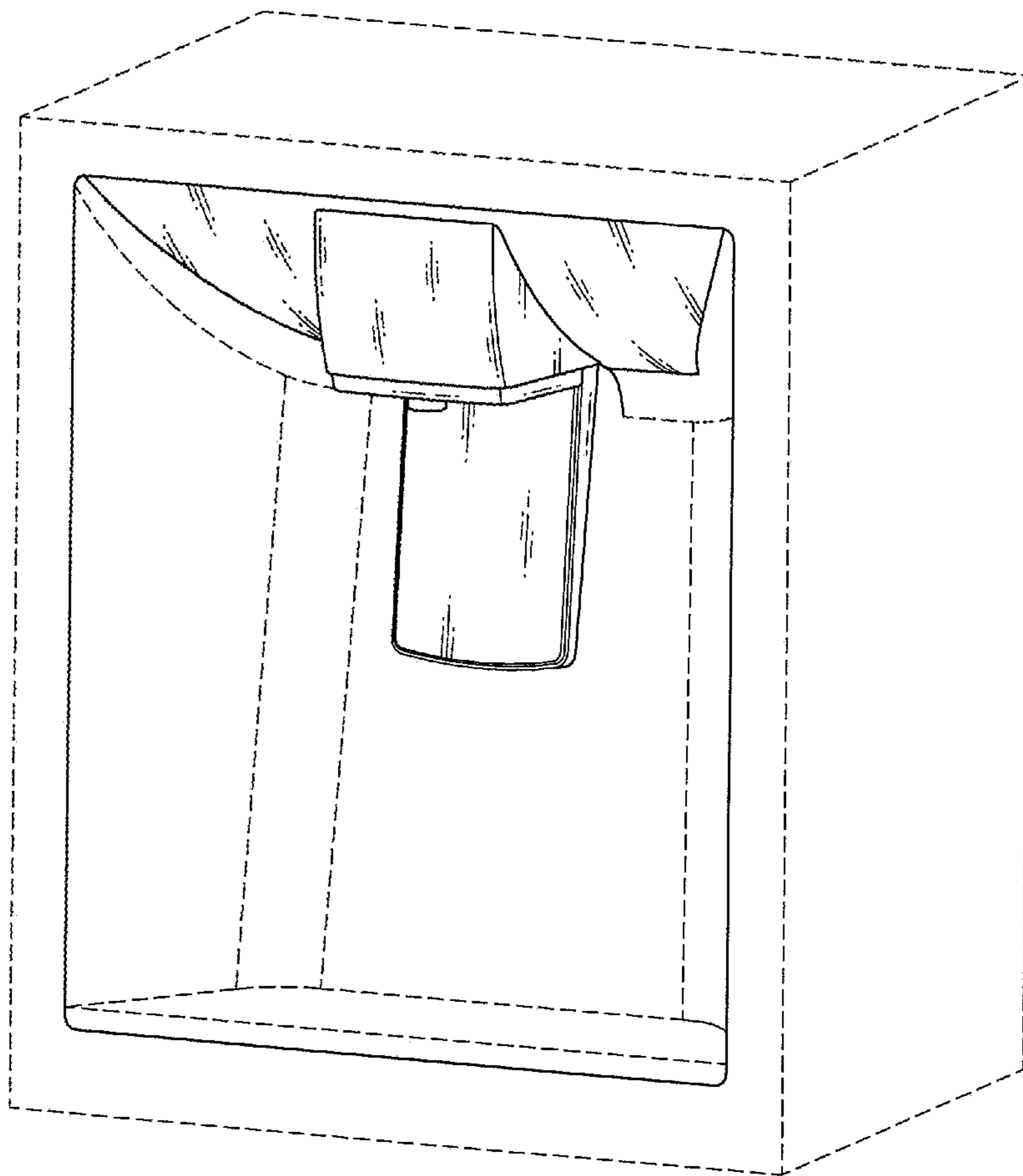




FIG. 9

