



US00D761887S

(12) **United States Design Patent**
Seo et al.

(10) **Patent No.:** **US D761,887 S**
(45) **Date of Patent:** **** Jul. 19, 2016**

(54) **DISPENSER FOR REFRIGERATOR**

(71) Applicant: **LG ELECTRONICS INC.**, Seoul (KR)

(72) Inventors: **Woonkyu Seo**, Seoul (KR); **Seonil Yu**, Seoul (KR); **Daesung Lee**, Seoul (KR); **Hyein Yang**, Seoul (KR)

(73) Assignee: **LG ELECTRONICS INC.**, Seoul (KR)

(**) Term: **15 Years**

(21) Appl. No.: **29/531,211**

(22) Filed: **Jun. 24, 2015**

(30) **Foreign Application Priority Data**

Jan. 21, 2015 (KR) 30-2015-0003262

(51) **LOC (10) Cl.** **15-07**

(52) **U.S. Cl.**
USPC **D15/89**

(58) **Field of Classification Search**
USPC D15/79-91
CPC F25B 21/02; F25B 2321/02; F25B 1/005;
F25B 2321/0252; F25B 1/00; F25B 1/10;
F25B 21/04; F25B 2339/047; F25B 5/02;
F25B 7/00; F25B 13/00; F25B 1/053; F25B
2309/06; F25B 2321/021; F25B 2321/023;
F25D 23/028; F25D 23/02; F25D 25/025;
F25D 23/00; F25D 2323/021; F25D 11/00;
F25D 2323/024; F25D 23/04; F25D 29/00;
F25D 25/02; F25D 25/024; F25D 27/005;
F25D 23/12; F25D 29/005; F25D 17/042;
F25D 2325/021

See application file for complete search history.

(56) **References Cited**

U.S. PATENT DOCUMENTS

D365,579 S * 12/1995 Baker D15/89
D568,913 S * 5/2008 Suh D15/89

D569,399 S * 5/2008 Crookshanks D15/89
D710,403 S * 8/2014 Seo D15/89
D715,336 S * 10/2014 Sin D15/89
D727,378 S 4/2015 Jeon
D735,252 S * 7/2015 Lee D15/89

OTHER PUBLICATIONS

U.S. Notice of Allowance issued in U.S. Appl. No. 29/531,316 dated Apr. 11, 2016.
U.S. Notice of Allowance issued in U.S. Appl. No. 29/531,317 dated Apr. 18, 2016.
U.S. Notice of Allowance issued in U.S. Appl. No. 29/531,205 dated Apr. 25, 2016.
U.S. Notice of Allowance issued in U.S. Appl. No. 29/531,212 dated Apr. 25, 2016.

(Continued)

Primary Examiner — Daniel Bui

Assistant Examiner — Khawaja Anwar

(74) *Attorney, Agent, or Firm* — KED & Associates, LLP

(57) **CLAIM**

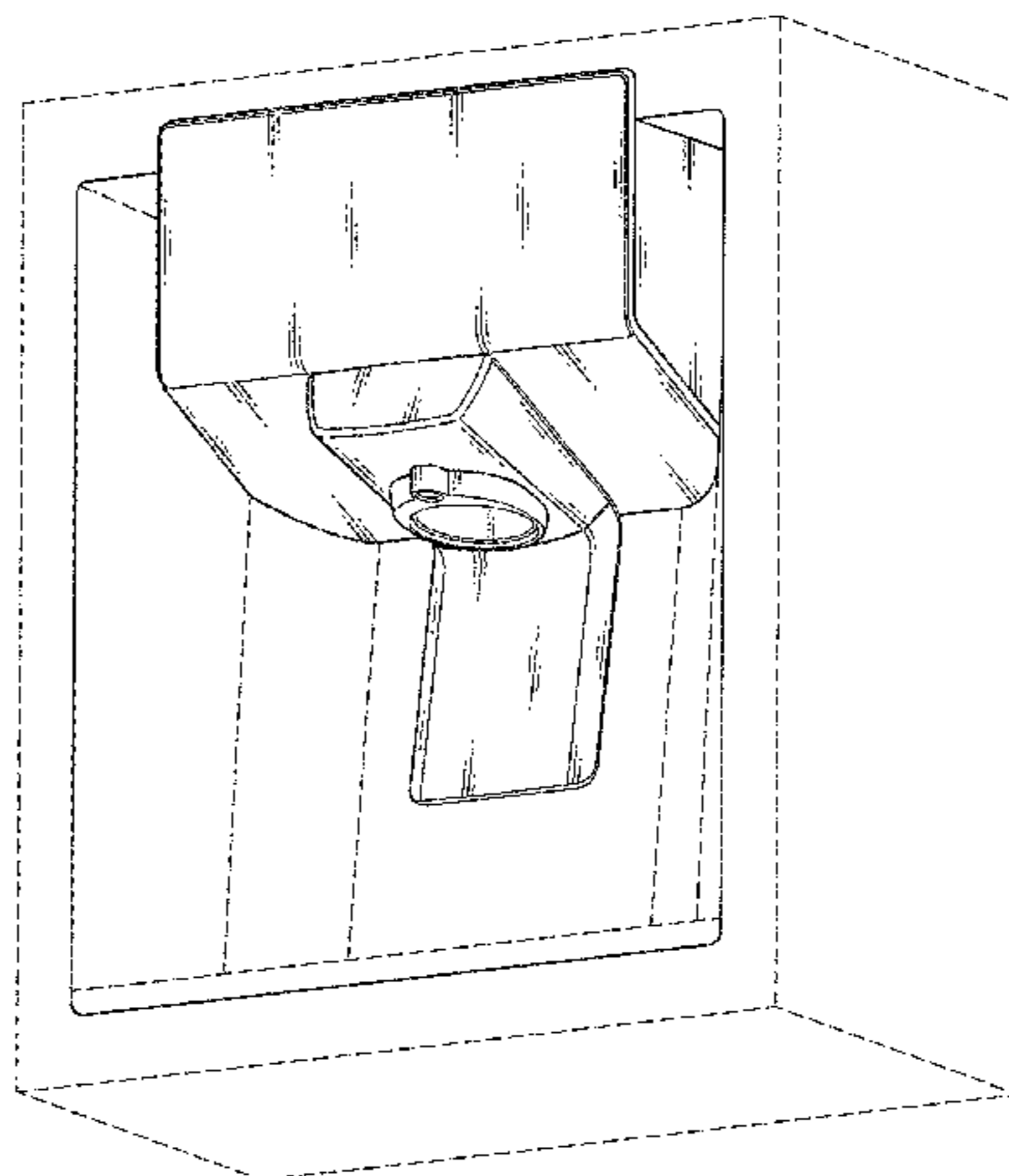
We claim the ornamental design for a dispenser for refrigerator, as shown and described.

DESCRIPTION

FIG. 1 is a looked-up perspective view of a dispenser for refrigerator showing our new design;
FIG. 2 is a front elevation view thereof;
FIG. 3 is a rear elevation view thereof;
FIG. 4 is a left-side elevation view thereof;
FIG. 5 is a right-side elevation view thereof;
FIG. 6 is a top plan view thereof;
FIG. 7 is a bottom plan view thereof;
FIG. 8 is a looked-down perspective view thereof; and,
FIG. 9 is a longitudinal sectional view taken along line 9-9 in FIG. 2.

The broken lines in the drawing figures are included for the purpose of illustrating environment and form no part of the claimed design.

1 Claim, 7 Drawing Sheets



(56)

References Cited

OTHER PUBLICATIONS

U.S. Notice of Allowance issued in U.S. Appl. No. 29/531,215 dated
Apr. 20, 2016.

U.S. Notice of Allowance issued in U.S. Appl. No. 29/531,221 dated
Apr. 25, 2016.

U.S. Notice of Allowance issued in U.S. Appl. No. 29/531,223 dated
Apr. 25, 2016.

* cited by examiner

FIG. 1

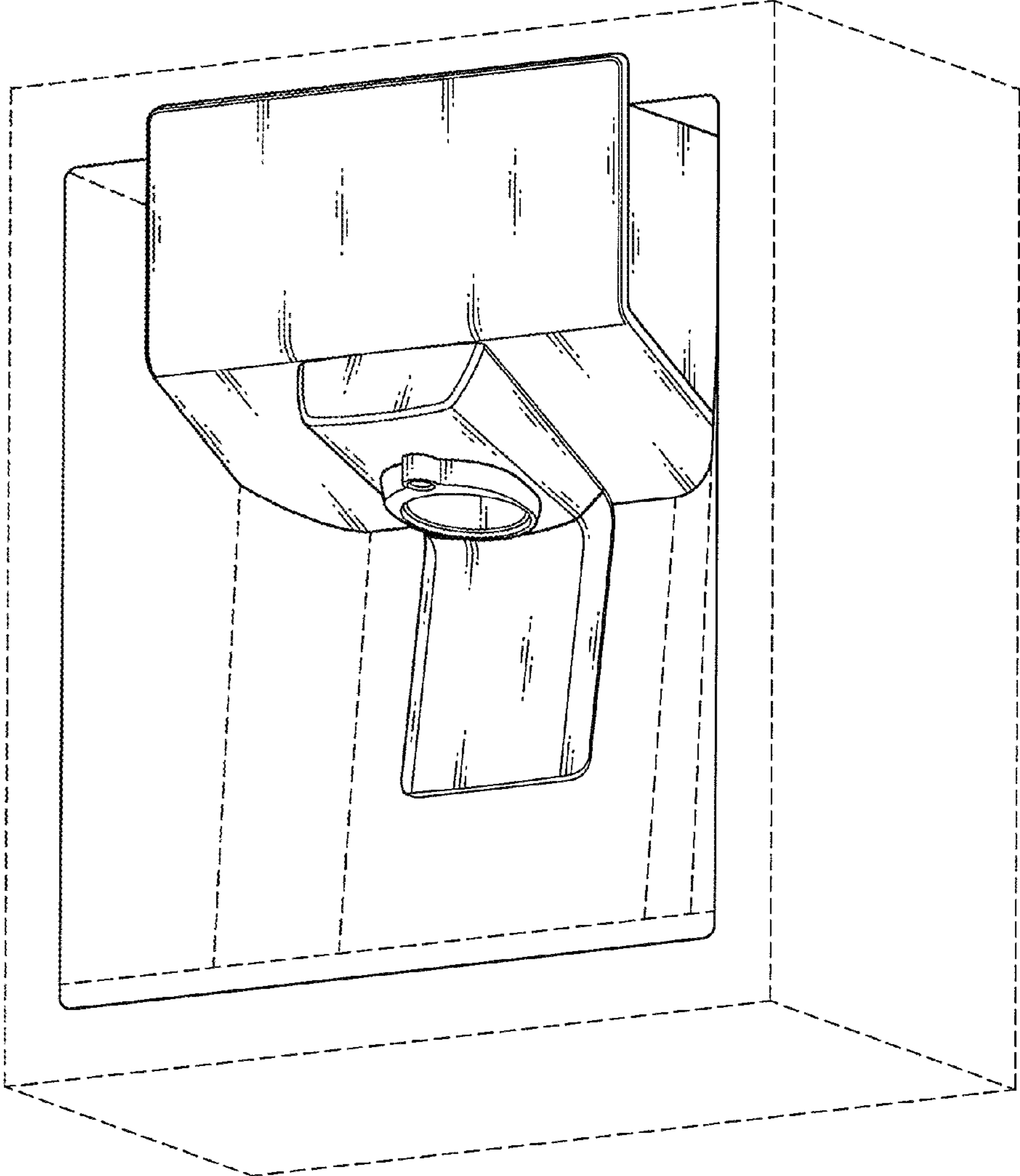


FIG. 2

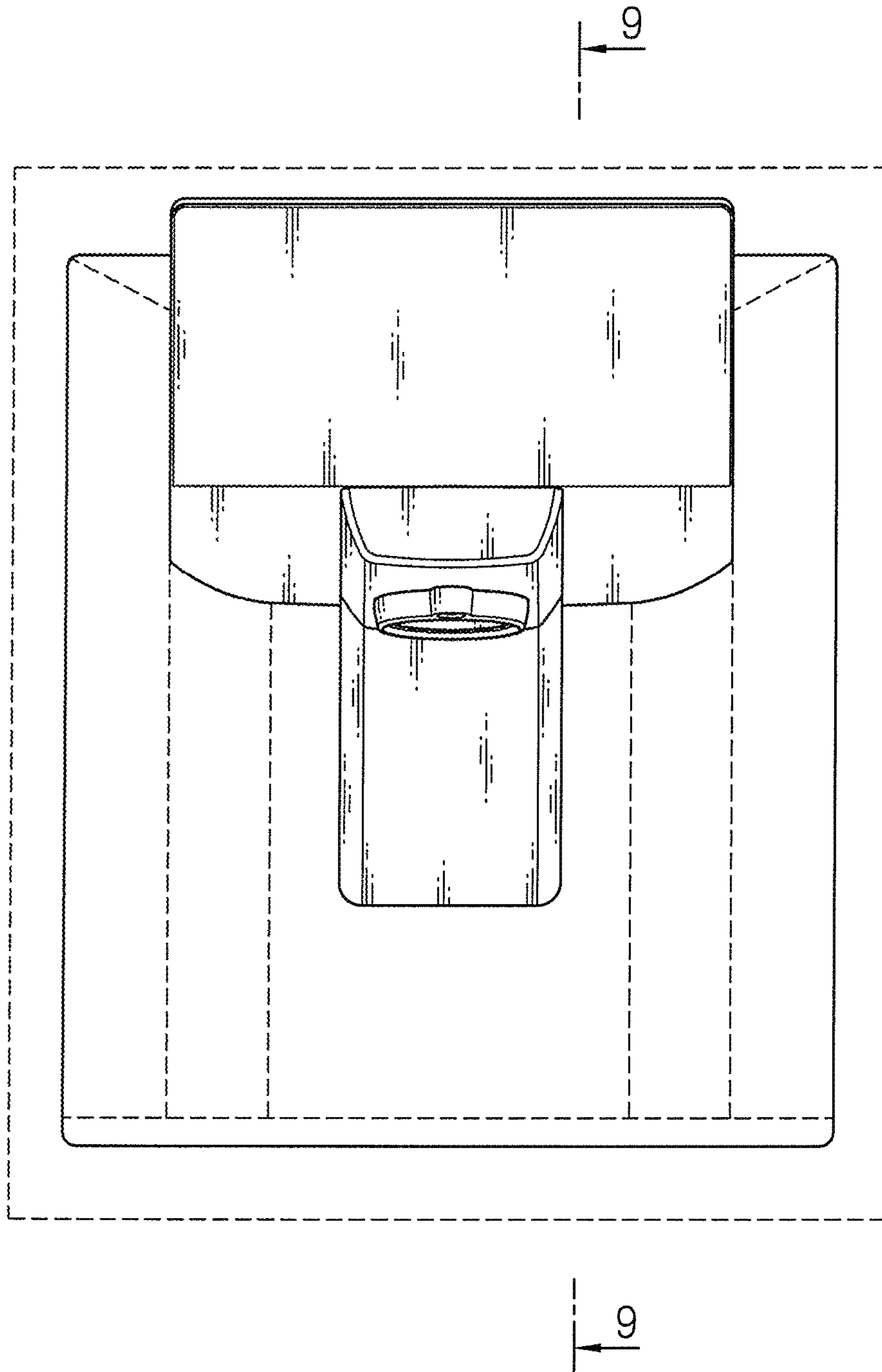


FIG. 3

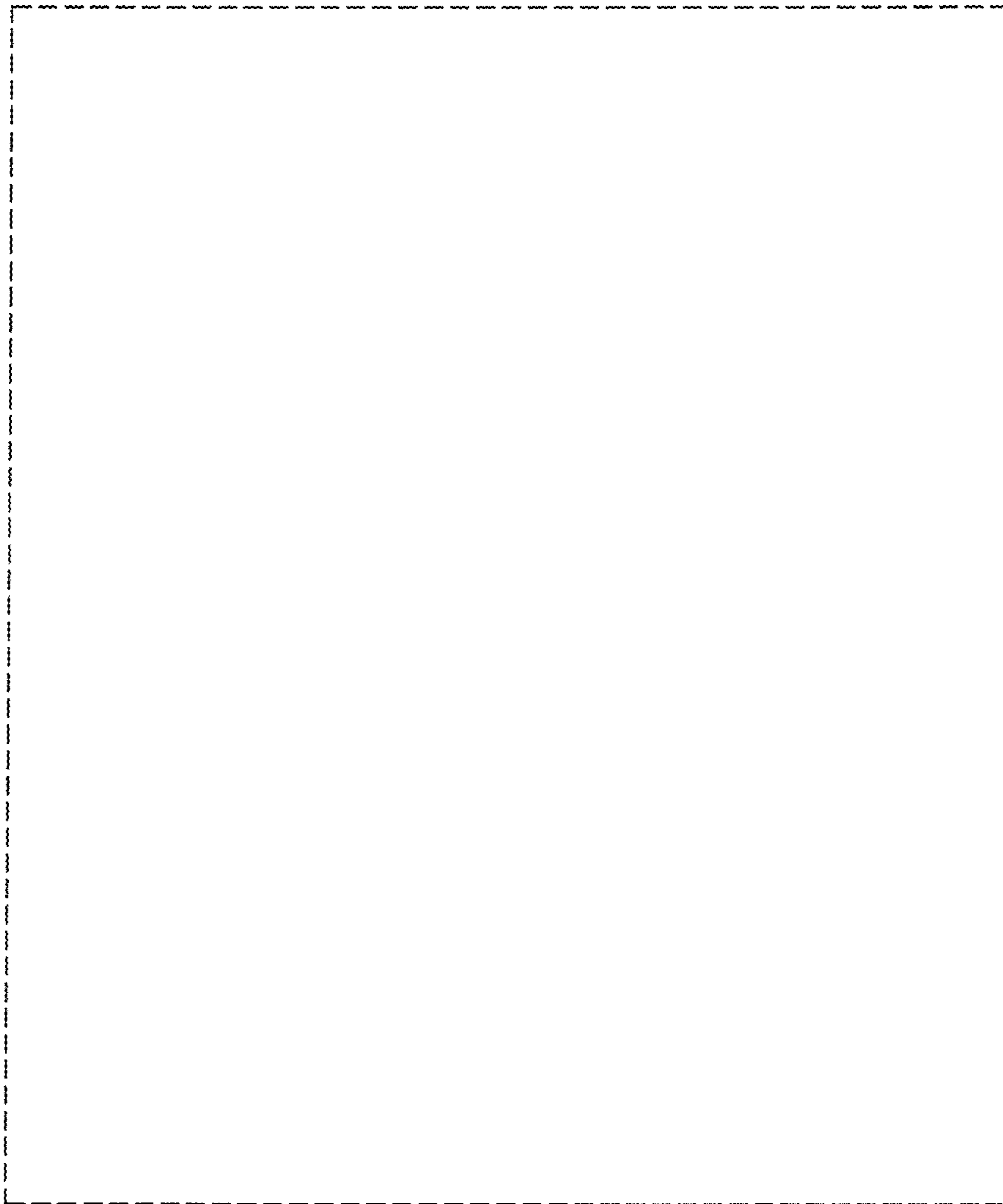


FIG.4

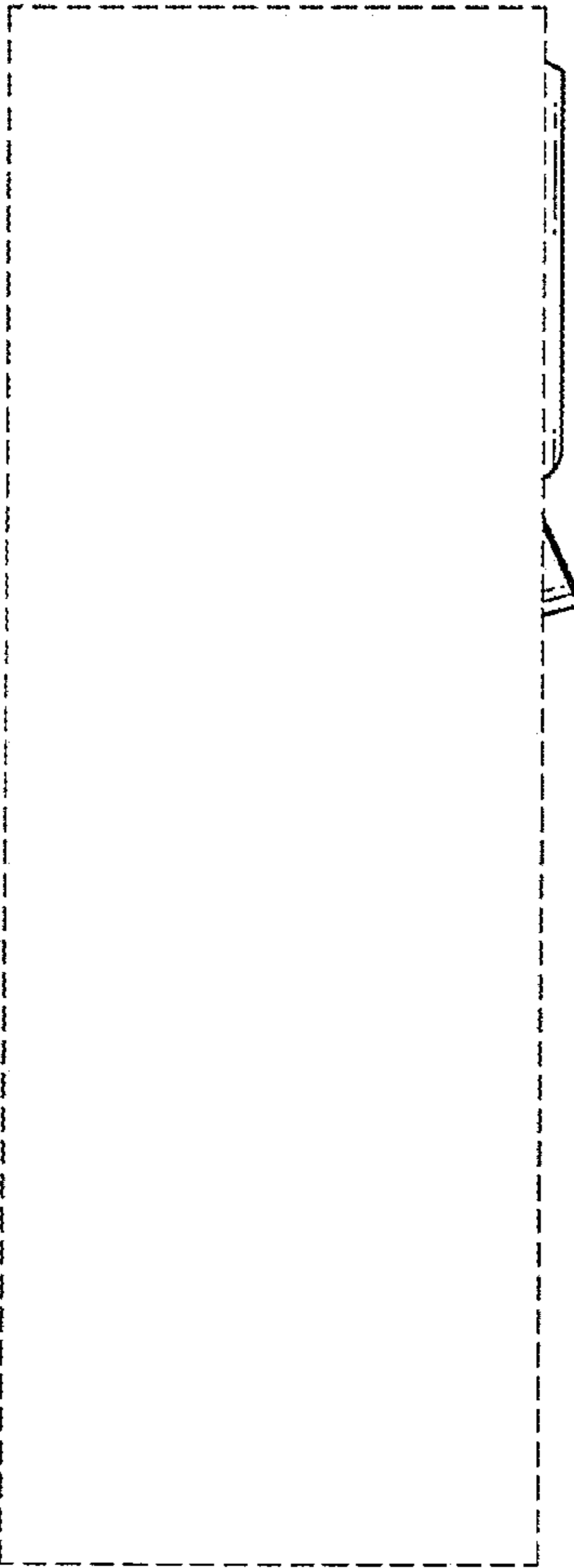


FIG.5

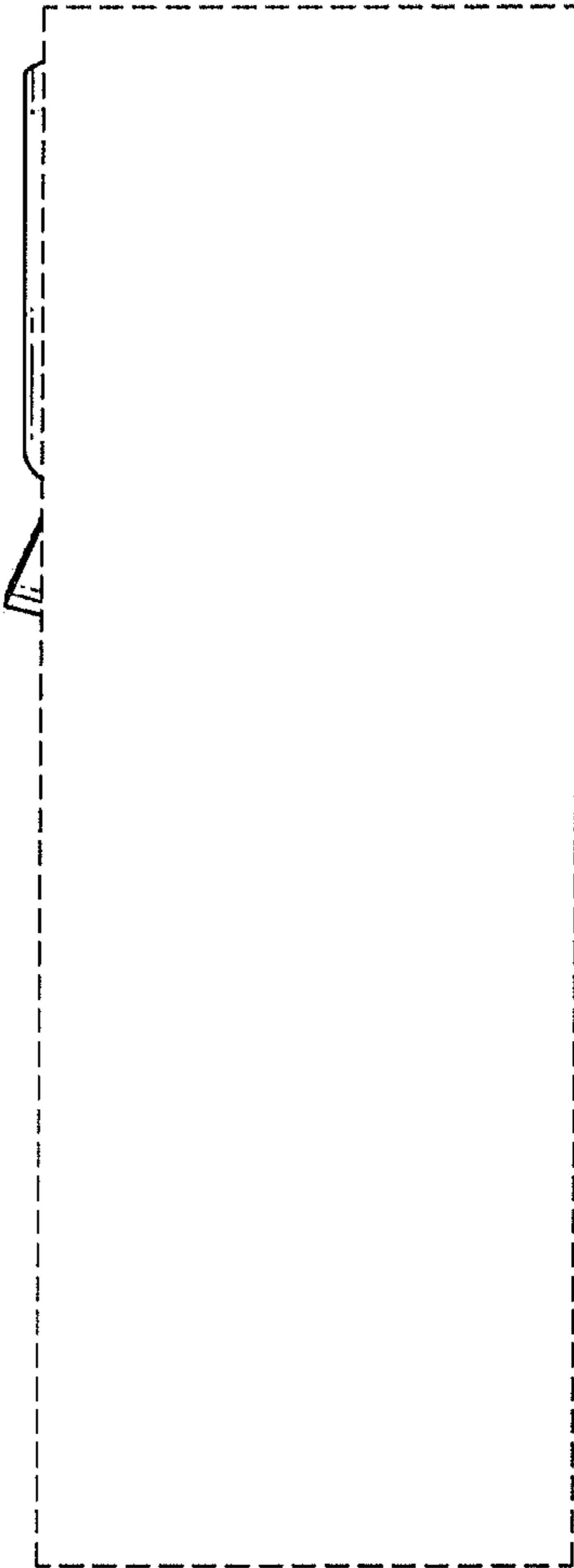


FIG. 6

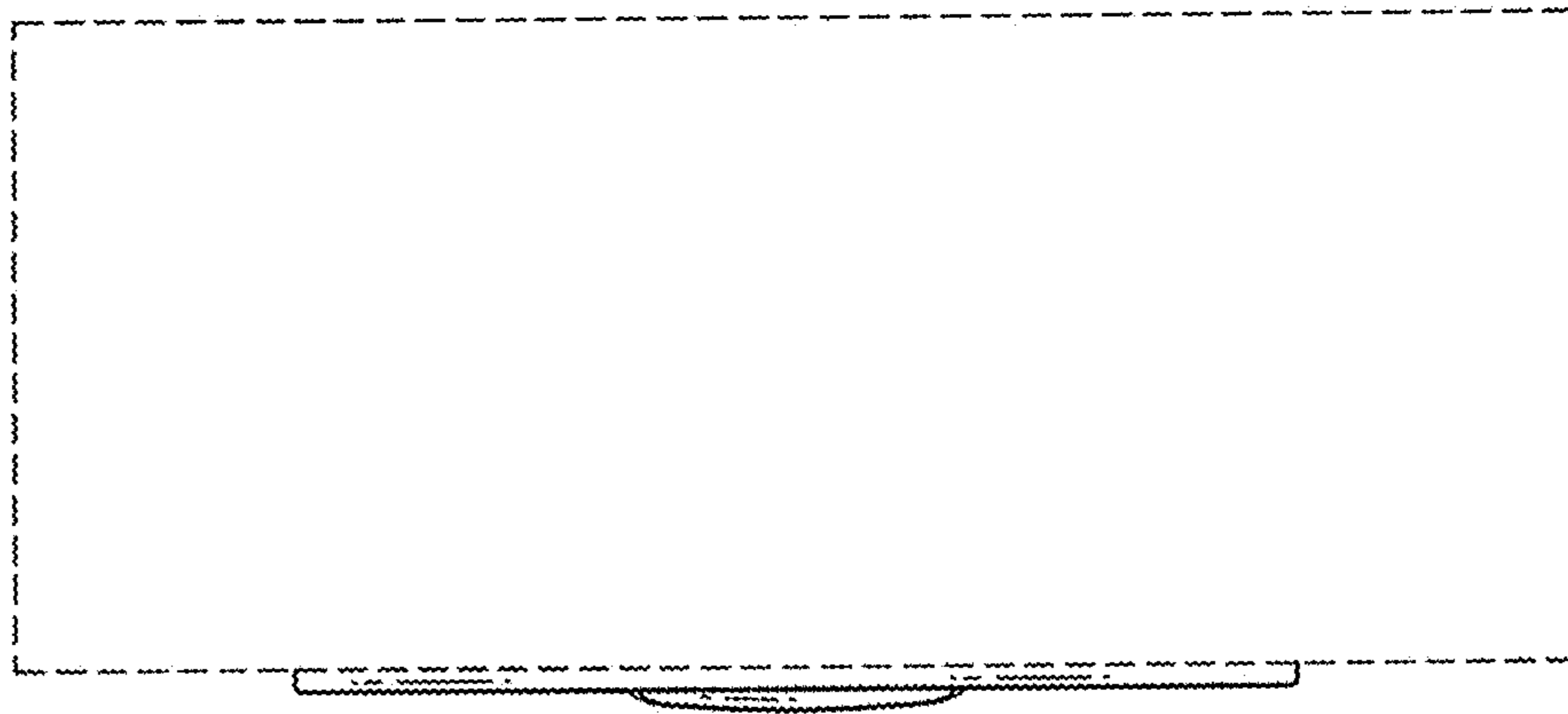


FIG. 7

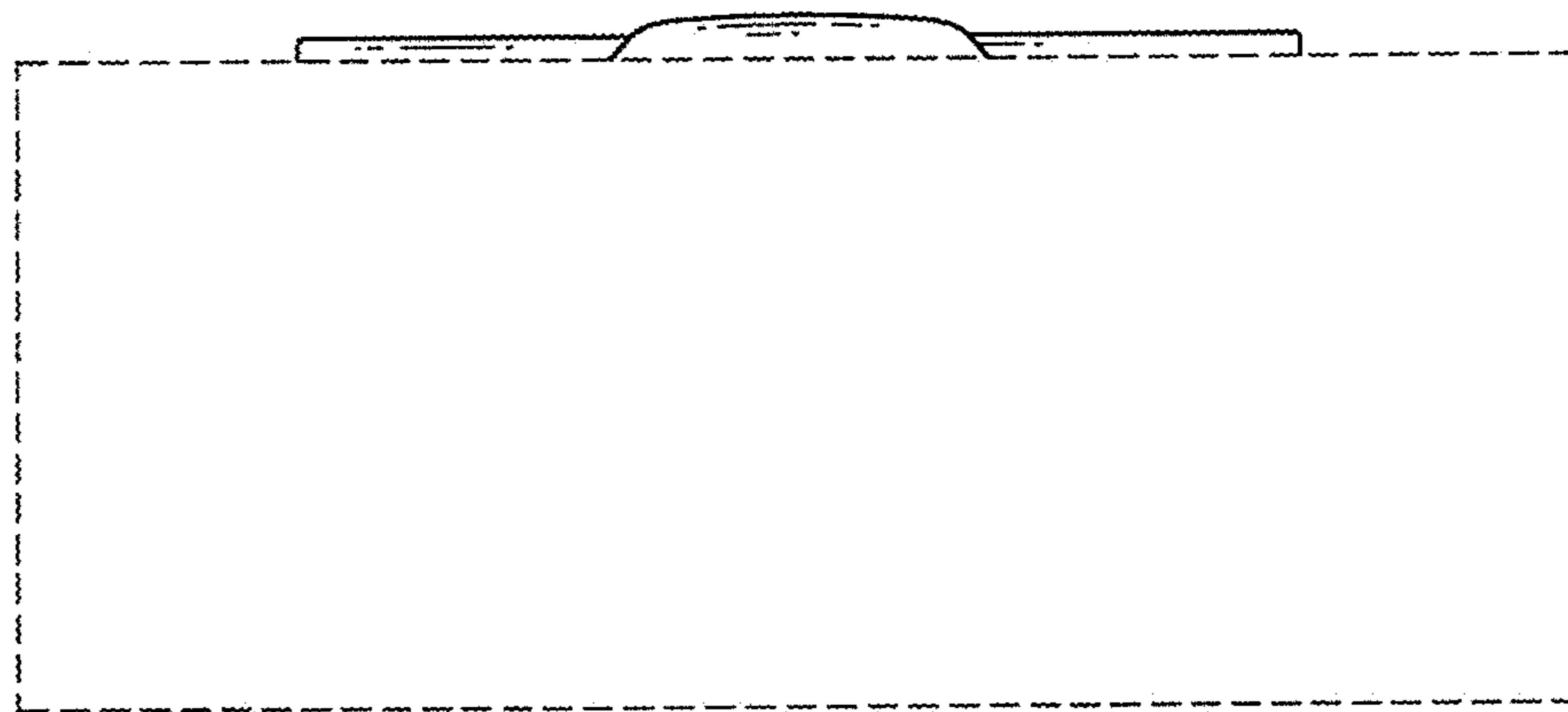


FIG. 8

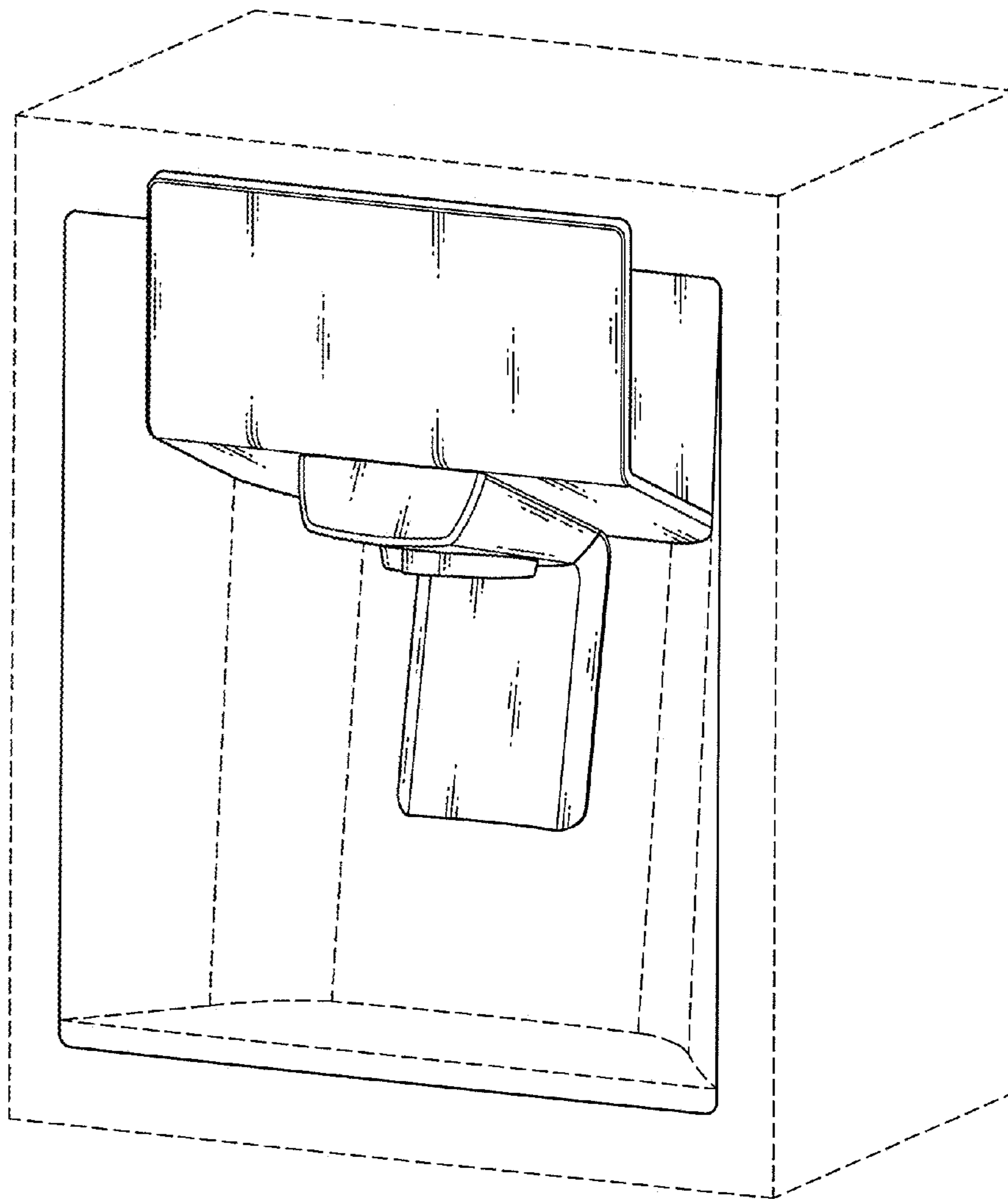


FIG. 9

