



US00D761885S

(12) **United States Design Patent**
McConnell

(10) **Patent No.:** **US D761,885 S**
(45) **Date of Patent:** **** Jul. 19, 2016**

(54) **APPLIANCE CABINET INTERIOR LINER WITH COLOR**

(71) Applicant: **Whirlpool Corporation**, Benton Harbor, MI (US)

(72) Inventor: **Jessica McConnell**, St. Joseph, MI (US)

(73) Assignee: **Whirlpool Corporation**, Benton Harbor, MI (US)

(**) Term: **14 Years**

(21) Appl. No.: **29/526,364**

(22) Filed: **May 8, 2015**

Related U.S. Application Data

(62) Division of application No. 29/450,150, filed on Mar. 15, 2013, now Pat. No. Des. 731,561.

(51) **LOC (10) Cl.** **15-07**

(52) **U.S. Cl.**
USPC **D15/89**

(58) **Field of Classification Search**
USPC D15/79, 81, 84, 85, 86, 88, 89, 91
CPC F25D 2323/02; F25D 2323/021; F25D 2317/06; F25D 2317/062; F25D 2323/121; F25D 2323/122; F25D 2331/806; F25D 2400/36; F25D 13/02; F25D 13/04; F25D 11/02; F25D 11/025

See application file for complete search history.

(56) **References Cited**

U.S. PATENT DOCUMENTS

D616,001 S 5/2010 Yang et al.
D658,214 S 4/2012 Seo et al.

(Continued)

Primary Examiner — Ian Simmons

Assistant Examiner — Khawaja Anwar

(57) **CLAIM**

I claim the ornamental design for an appliance cabinet interior liner with color, as shown and described.

DESCRIPTION

FIG. 1 is a perspective view of the outside of an appliance cabinet interior with color, showing my new design;

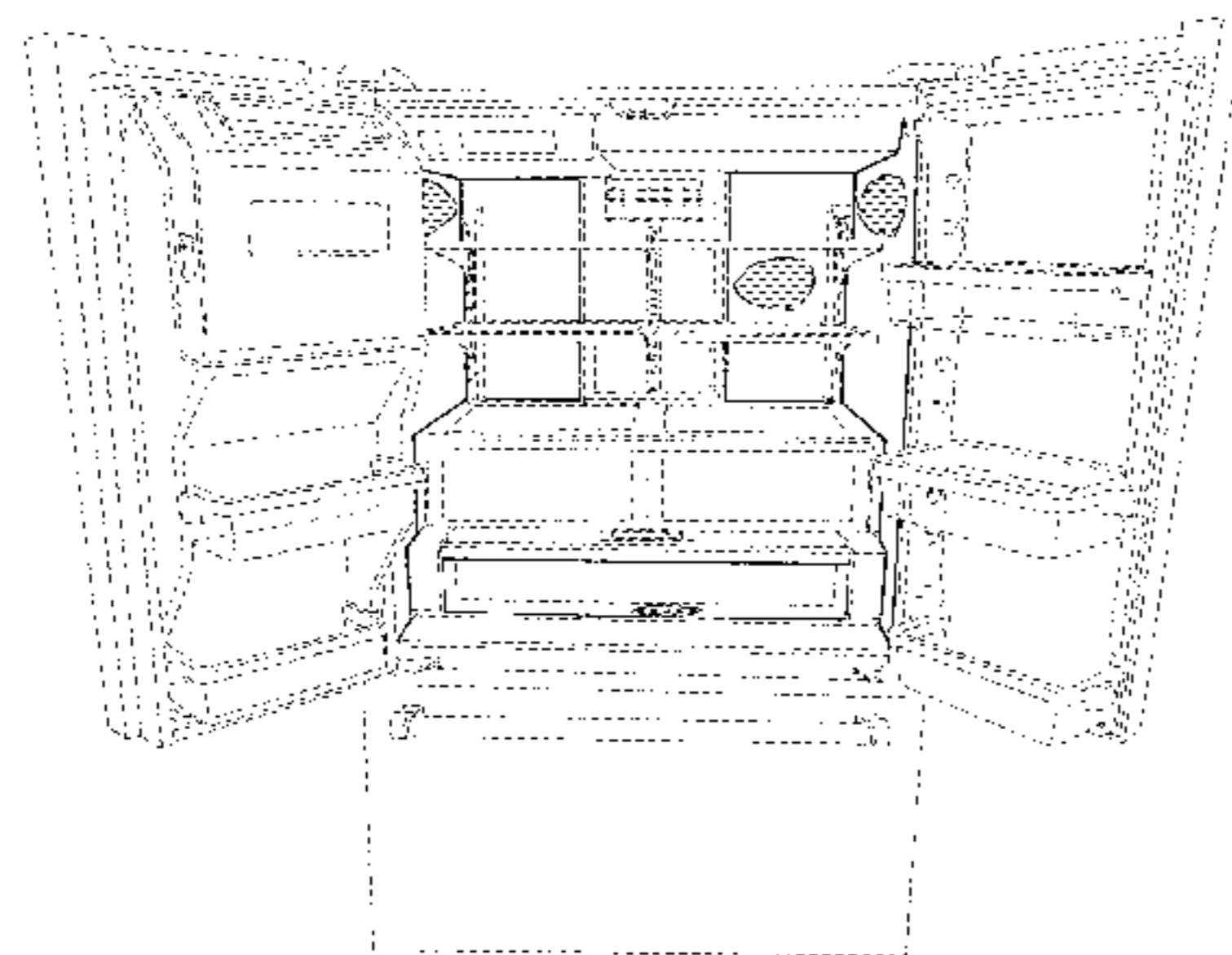


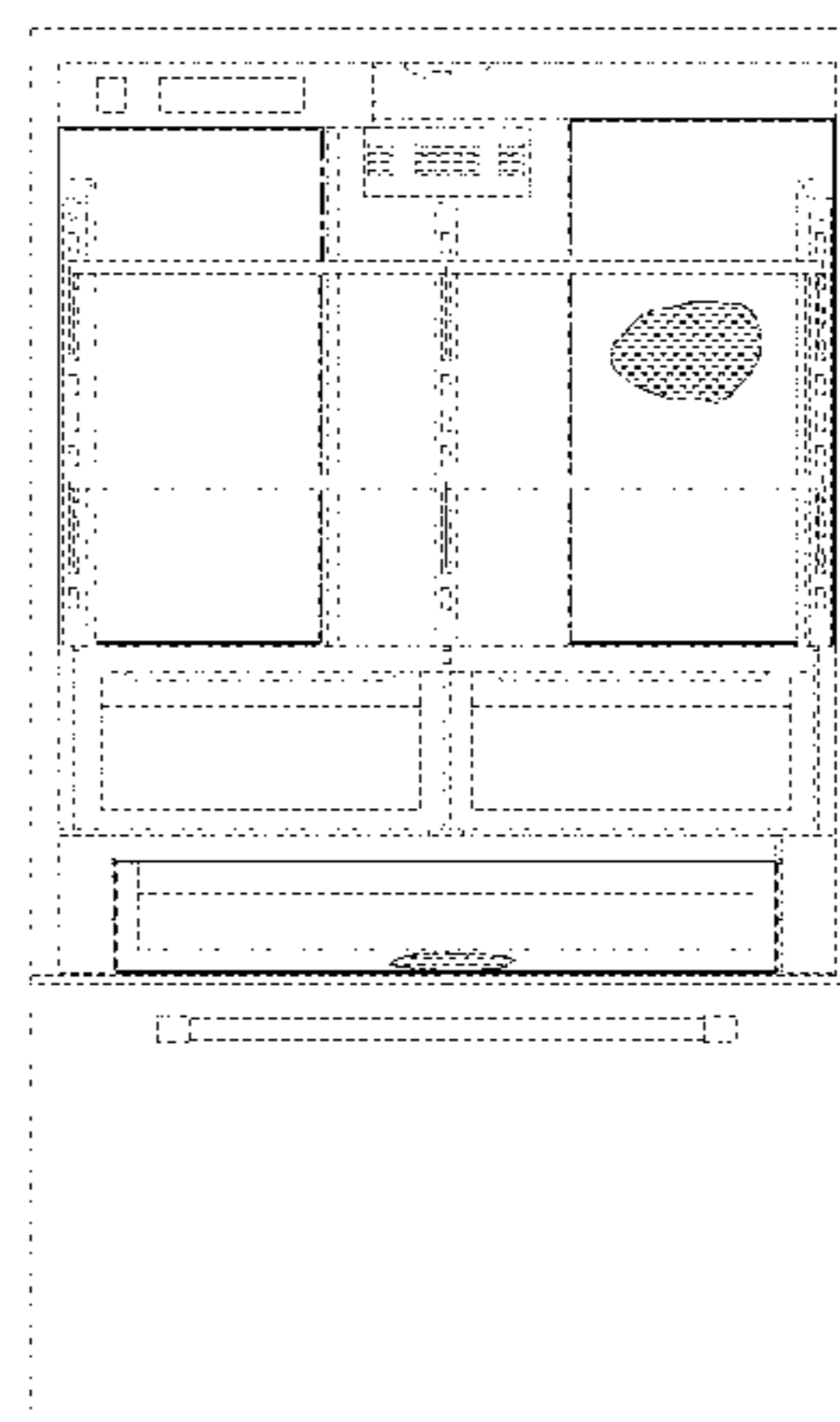
FIG. 2 is a front elevation view thereof;
FIG. 3 is a right side elevation view thereof;
FIG. 4 is a top a plan view thereof;
FIG. 5 is a bottom plan view thereof;
FIG. 6 is a front perspective view of an appliance cabinet interior with color, in an open configuration;
FIG. 7 is an enlarged front elevation view thereof;
FIG. 8 is an enlarged perspective of the right side of an appliance cabinet interior with color;
FIG. 9 is an enlarged perspective of the left side of an appliance cabinet interior with color;
FIG. 10 is an isolated perspective view of a right door of an appliance cabinet interior with color;
FIG. 11 is a front elevation view thereof;
FIG. 12 is an isolated perspective view of a left door of an appliance cabinet interior with color;
FIG. 13 is a front elevation view thereof;
FIG. 14 is a front perspective view of an appliance cabinet interior with color in an alternate configuration; and,
FIG. 15 is a perspective view of the bottom door of an appliance cabinet interior with color in an open configuration.
The broken lines in the figures are for contextual purposes or show the environment and form no part of the claimed design. The shaded portions within the dot-dash-dot-dash lines on the cabinet liner of the appliance are merely representative of the color of the broader liner and should not be limited to the particular shape shown. The shaded portions represent the color silver, where the color silver has the following color characteristics according to the CIELAB System:

25 degree angle	L 75.18	a +.21	b +2.70
45 degree angle	L 59.40	a -1.59	b -2.33
75 degree angle	L 49.36	a -2.96	b -5.82

The shaded portions within the dot-dash-dot-dash lines on the front facie of the crisper drawer(s) and the pantry drawer are merely representative of the color of the front facie of the crisper drawer(s) and pantry drawer. The shaded portions represent a gray, where the color gray color has the following color characteristics according to the CIELAB System:

Illuminant A	L 59.21	a -.76	b -1.78
Illuminant F2	L 59.23	a -.32	b -1.72

1 Claim, 14 Drawing Sheets



(56)

References Cited

U.S. PATENT DOCUMENTS

D668,696 S 10/2012 Seo et al.
D671,151 S 11/2012 Seo et al.
D671,572 S 11/2012 Seo et al.
D674,417 S 1/2013 Seo et al.
D685,010 S 6/2013 Seo et al.

D731,561 S * 6/2015 McConnell D15/89
D732,088 S * 6/2015 McConnell D15/89
D732,585 S * 6/2015 McConnell D15/89
D733,194 S * 6/2015 McConnell D15/89
D735,783 S * 8/2015 McConnell D15/89
D742,942 S * 11/2015 McConnell D15/89
D743,453 S * 11/2015 McConnell D15/89
D749,152 S * 2/2016 McConnell D15/89

* cited by examiner

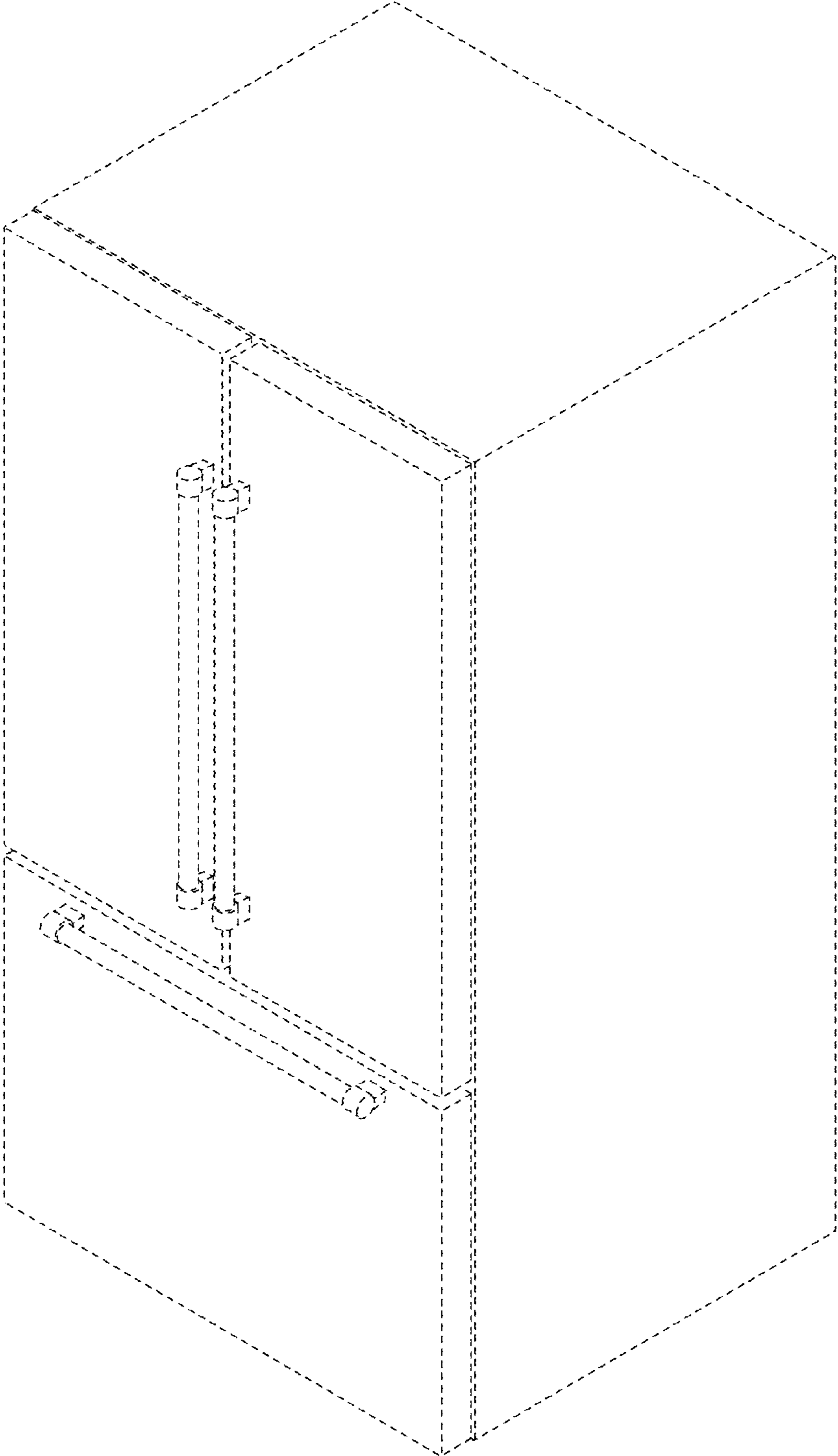


FIG. 1

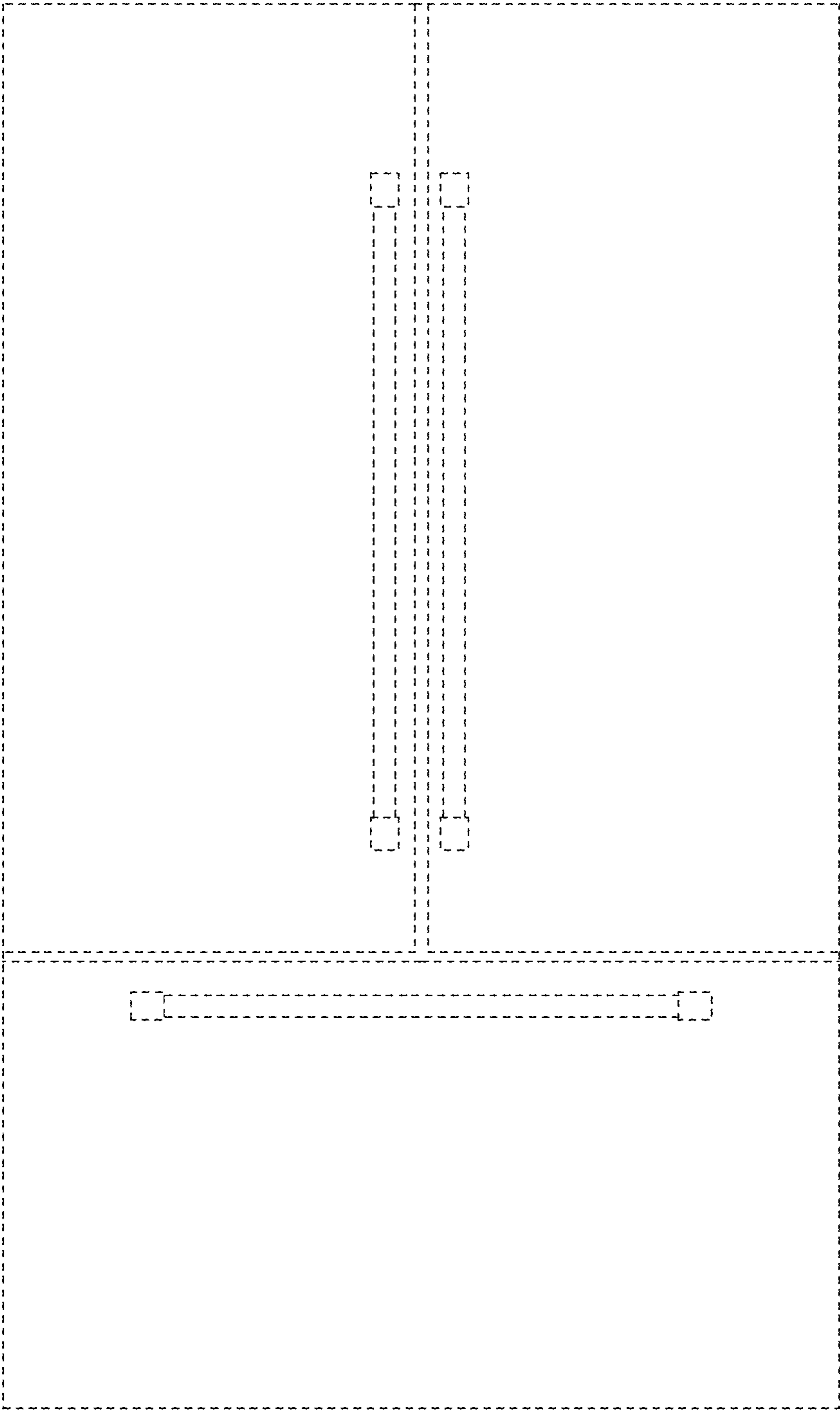


FIG. 2

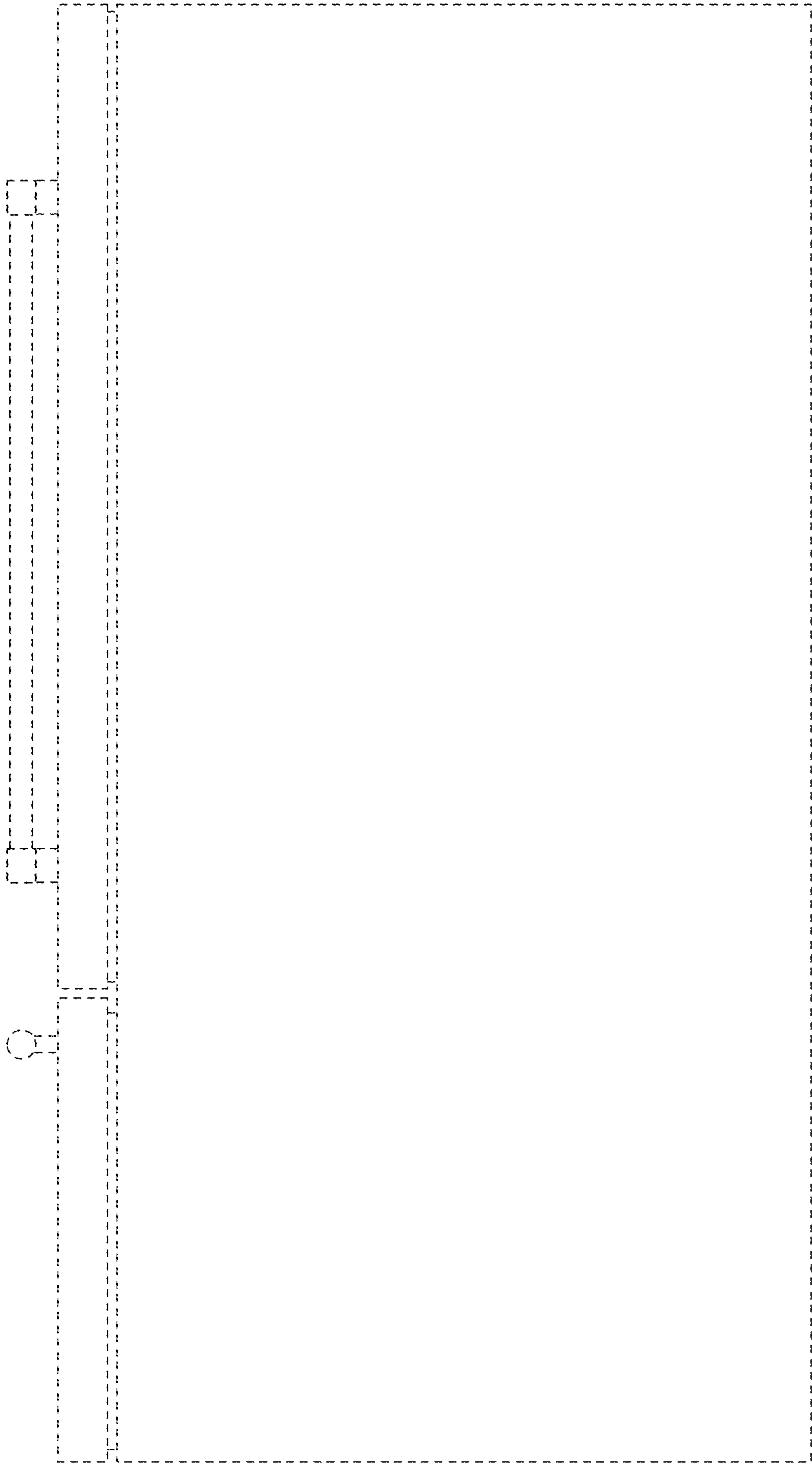


FIG. 3

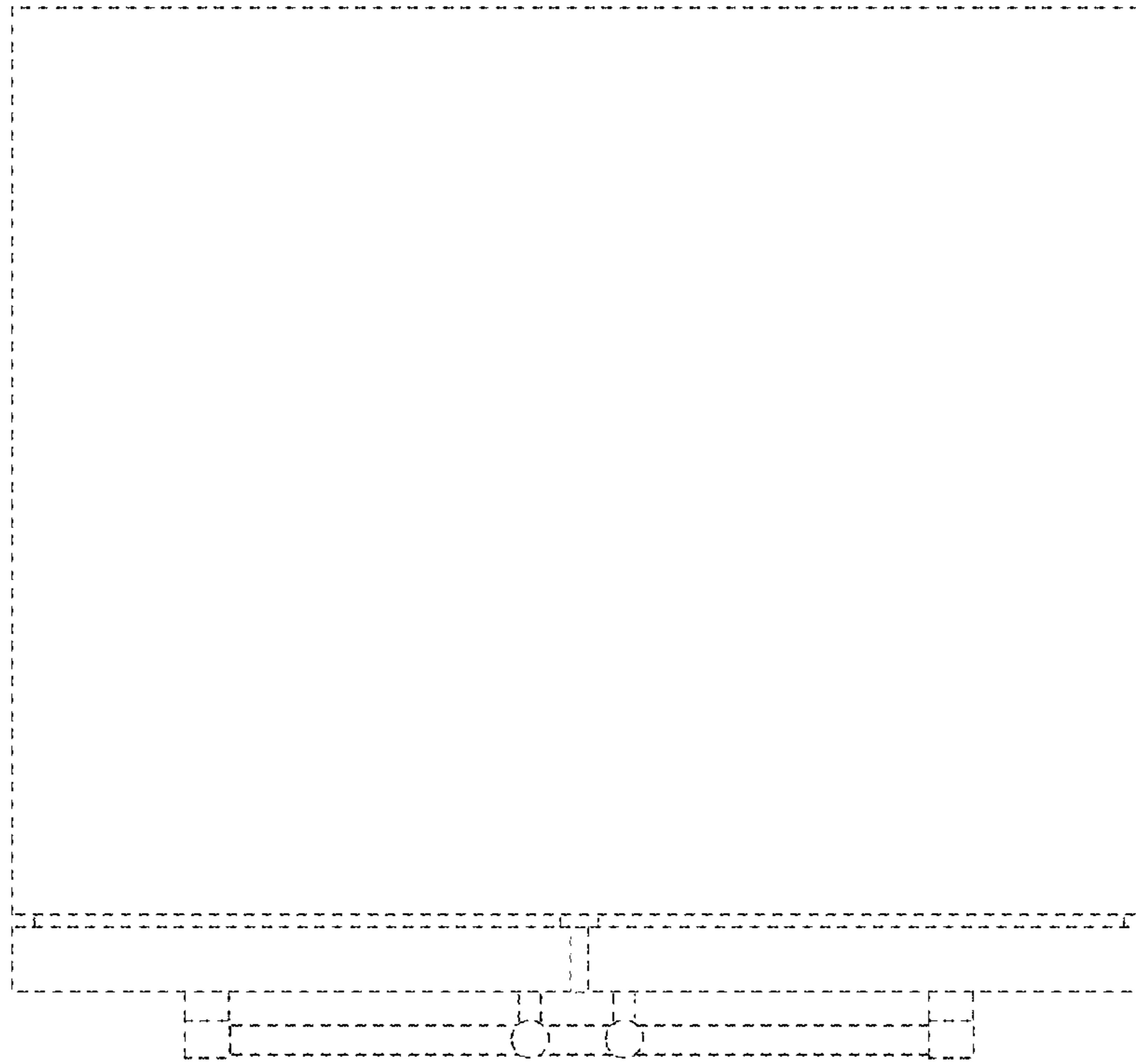


FIG. 4

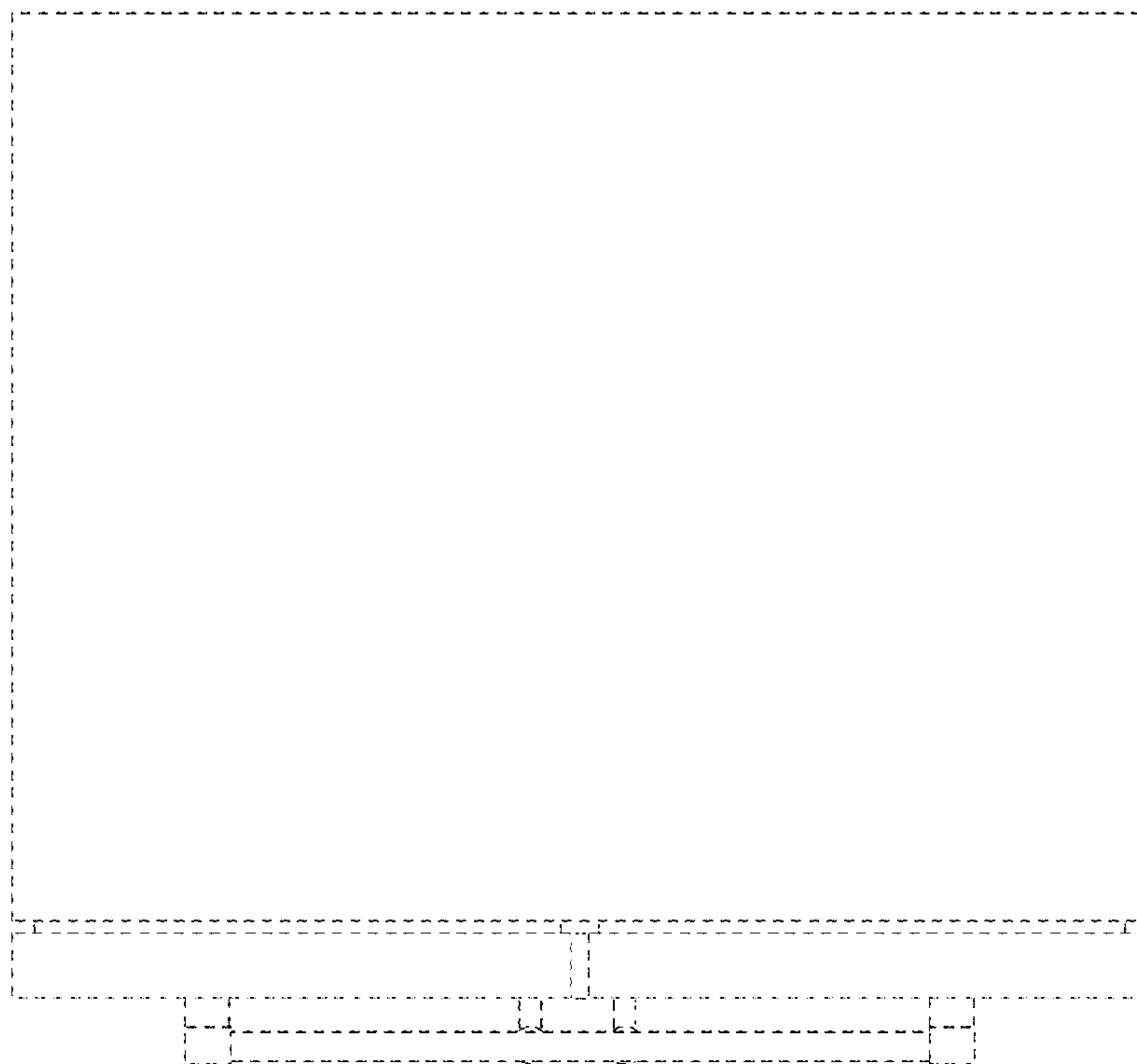


FIG. 5

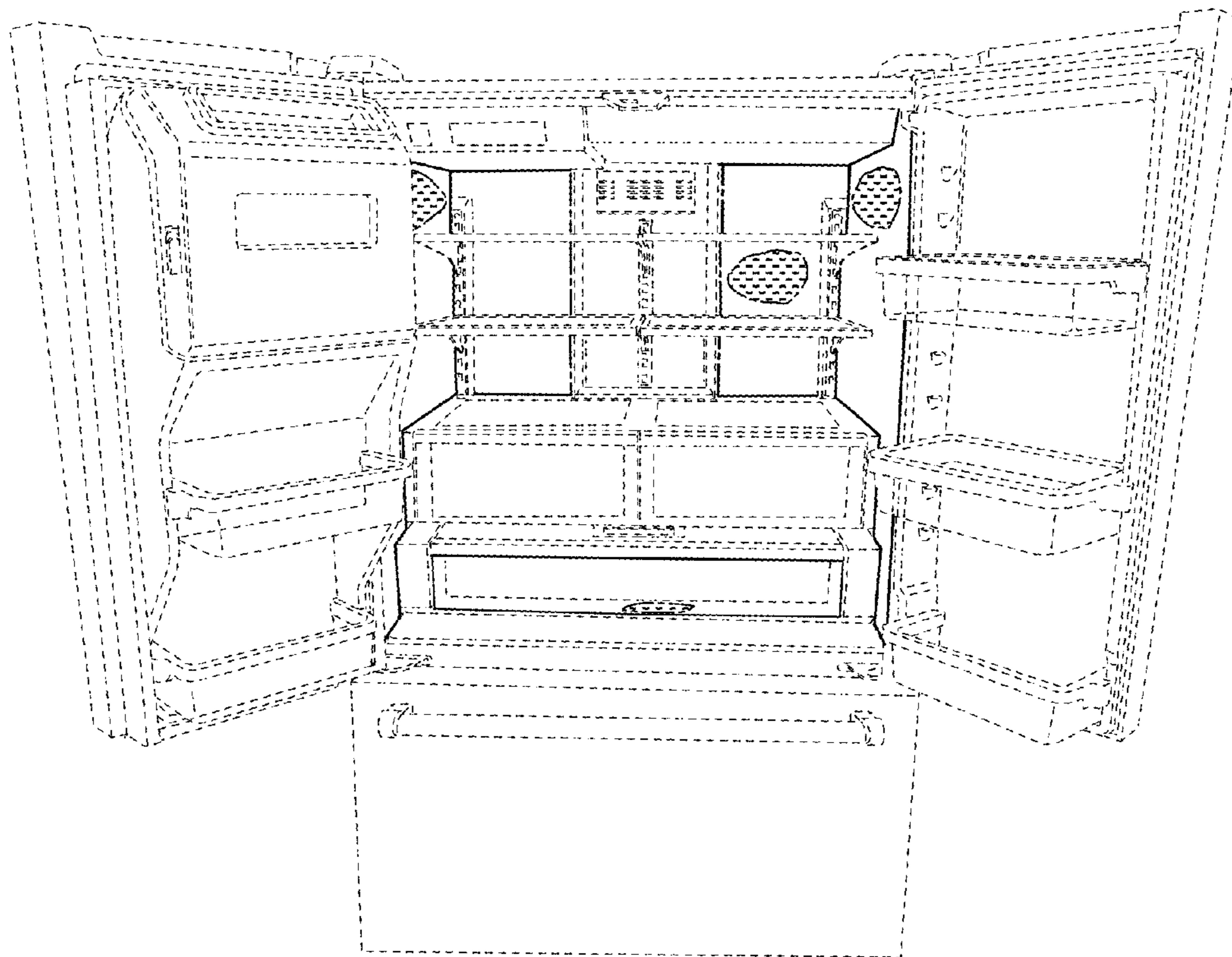


FIG. 6

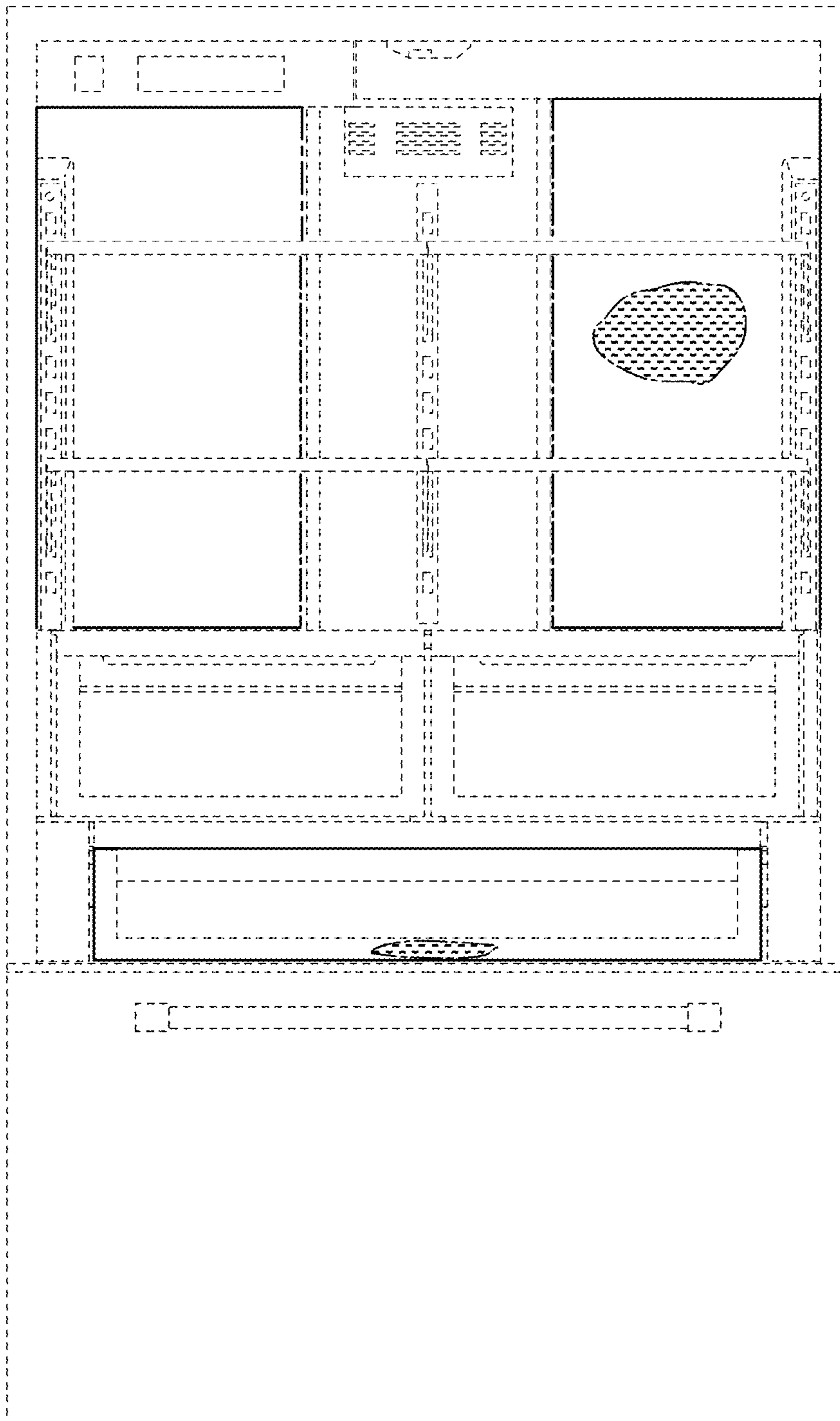


FIG. 7

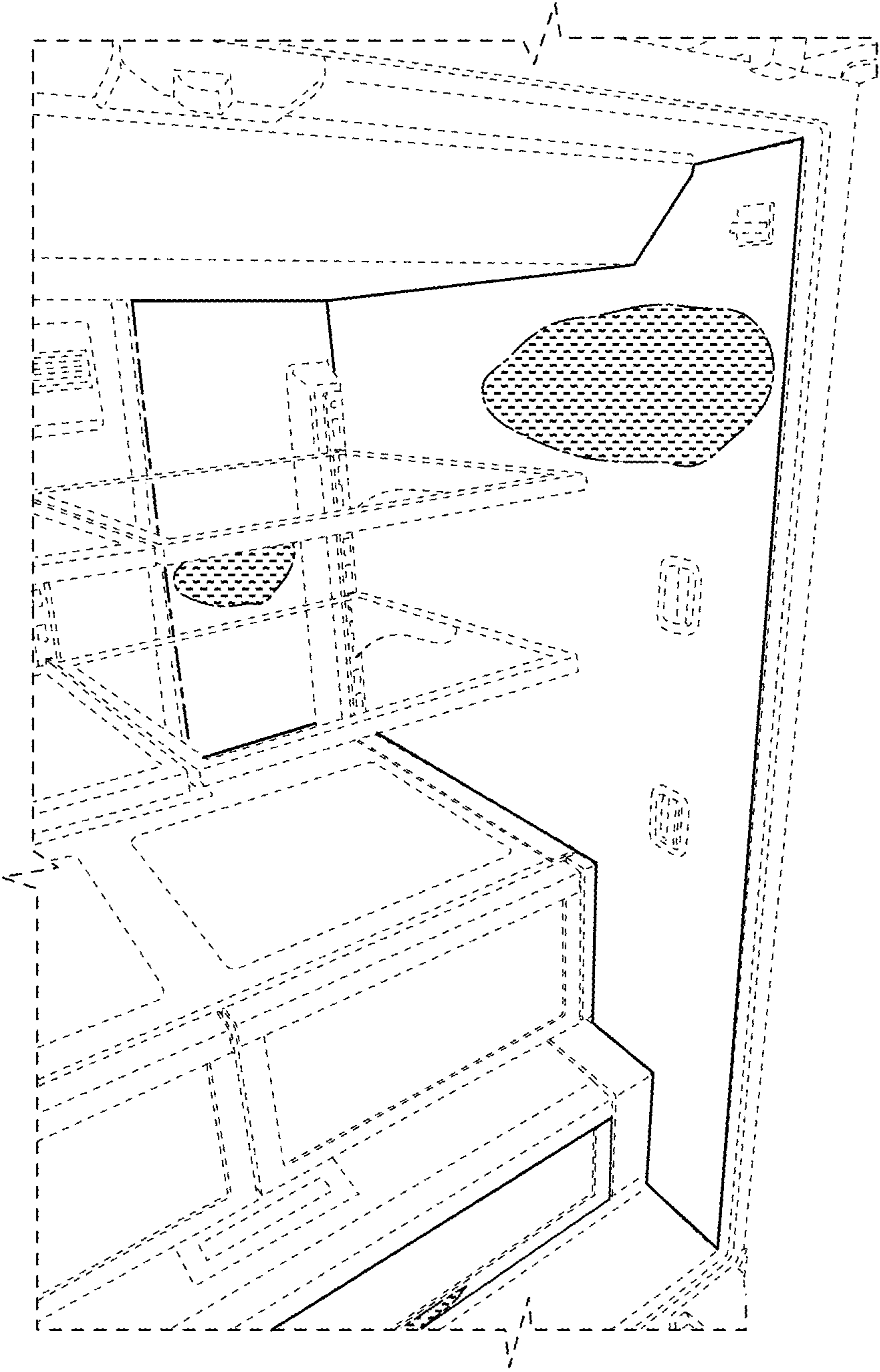


FIG. 8

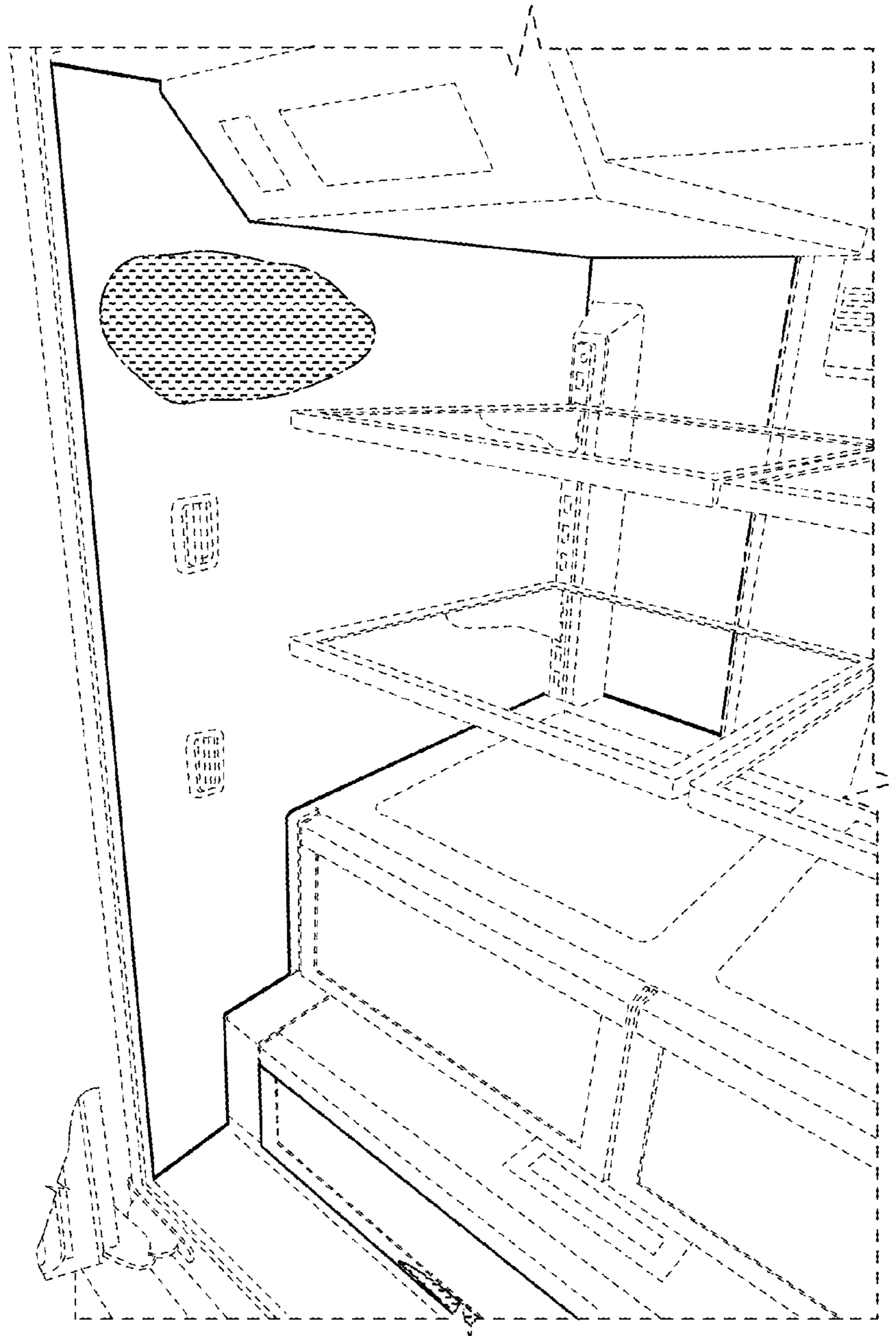


FIG. 9

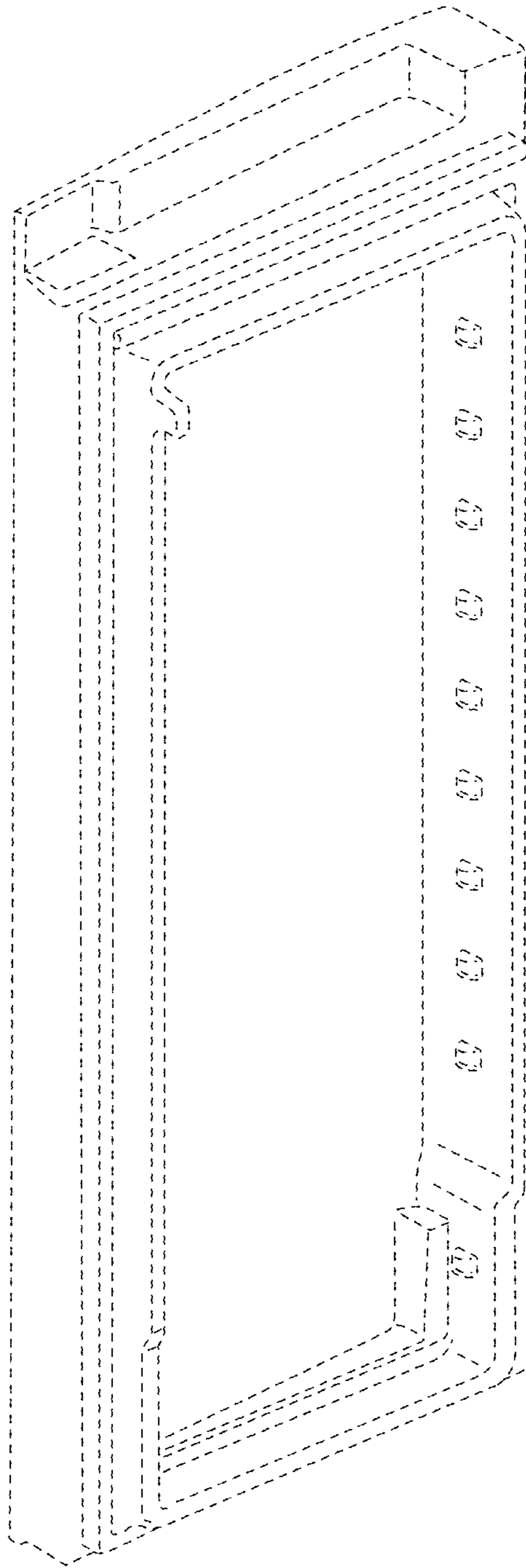


FIG. 10

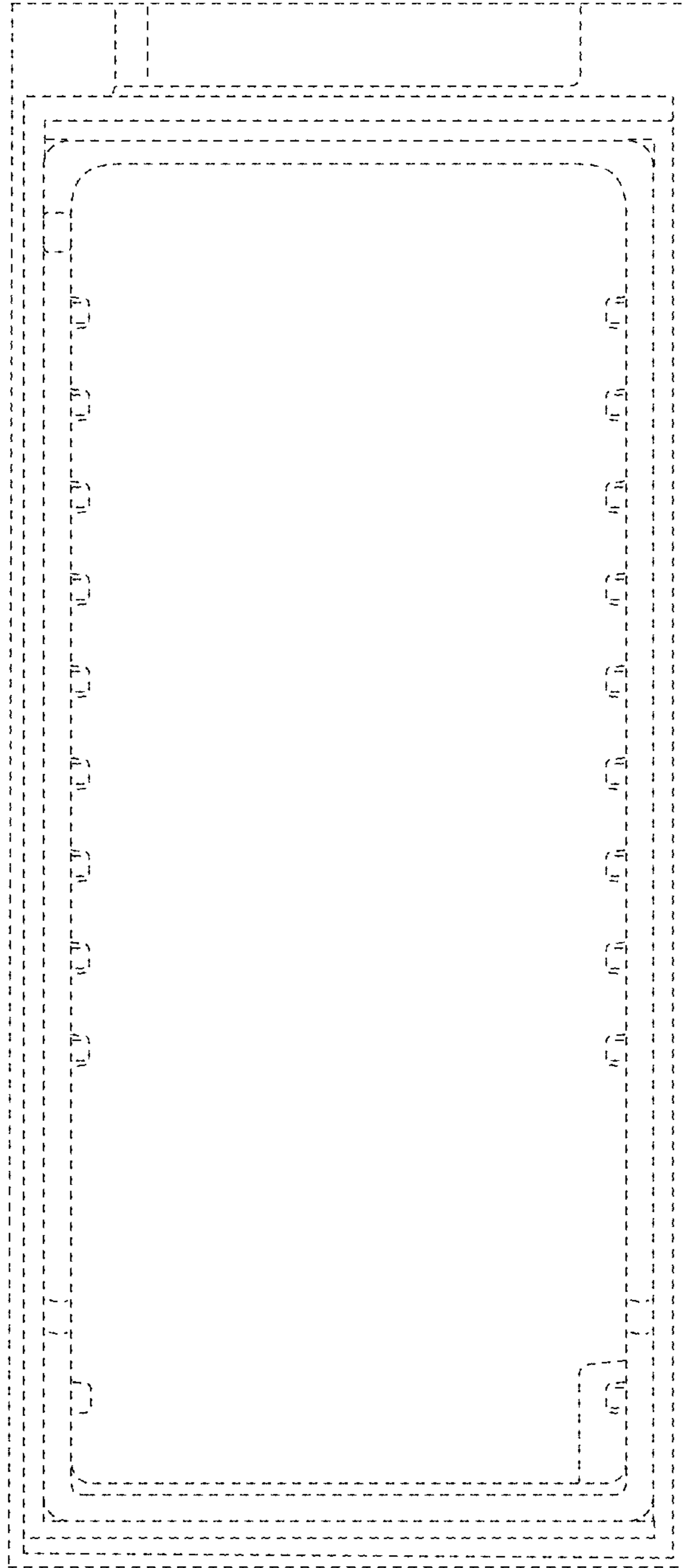


FIG. 11

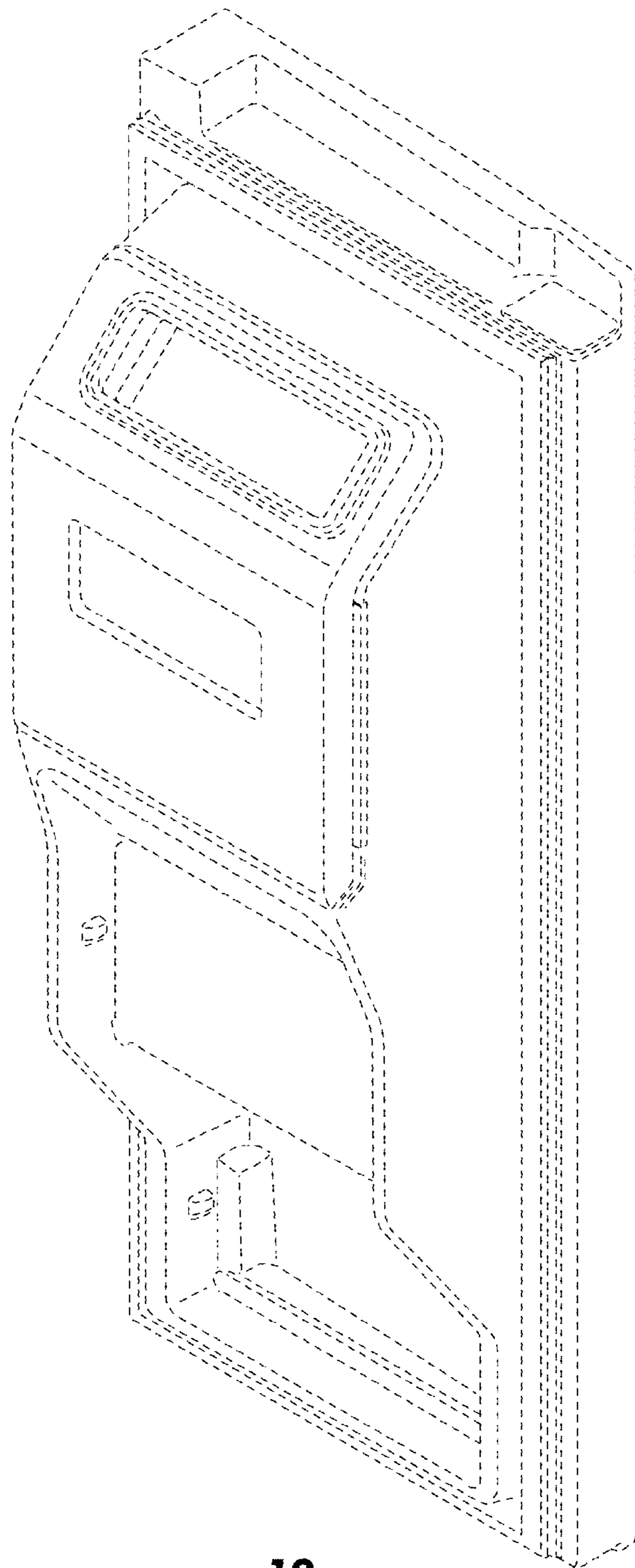


FIG. 12

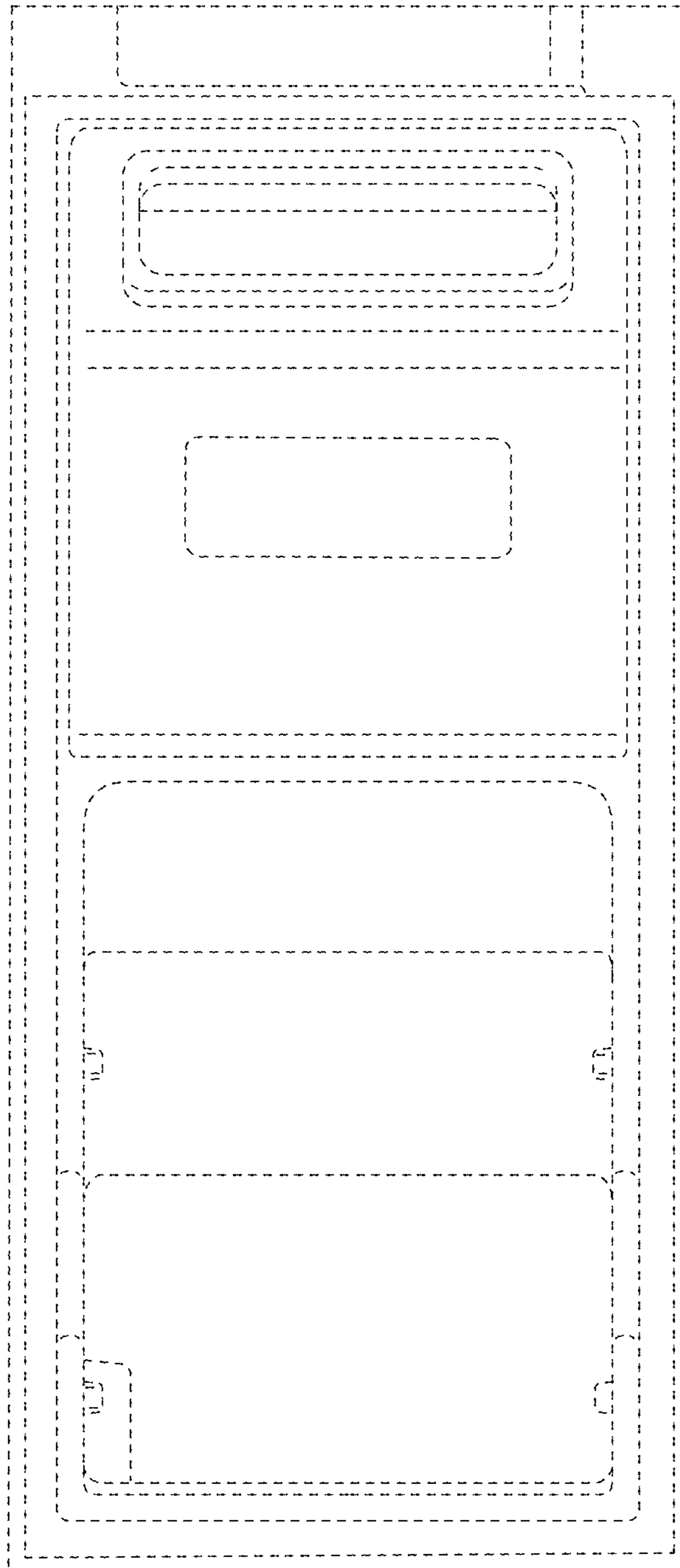


FIG. 13

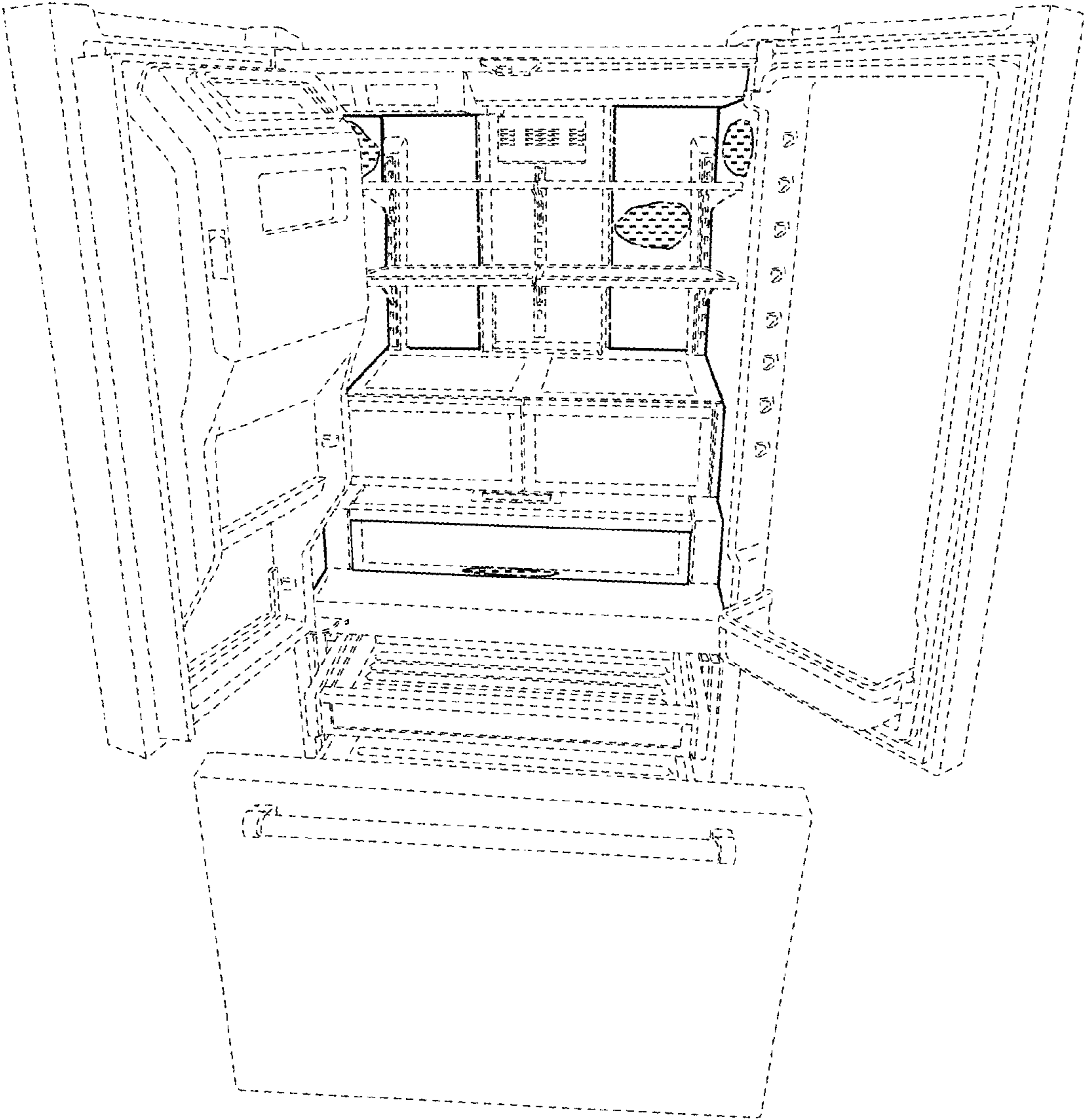


FIG. 14

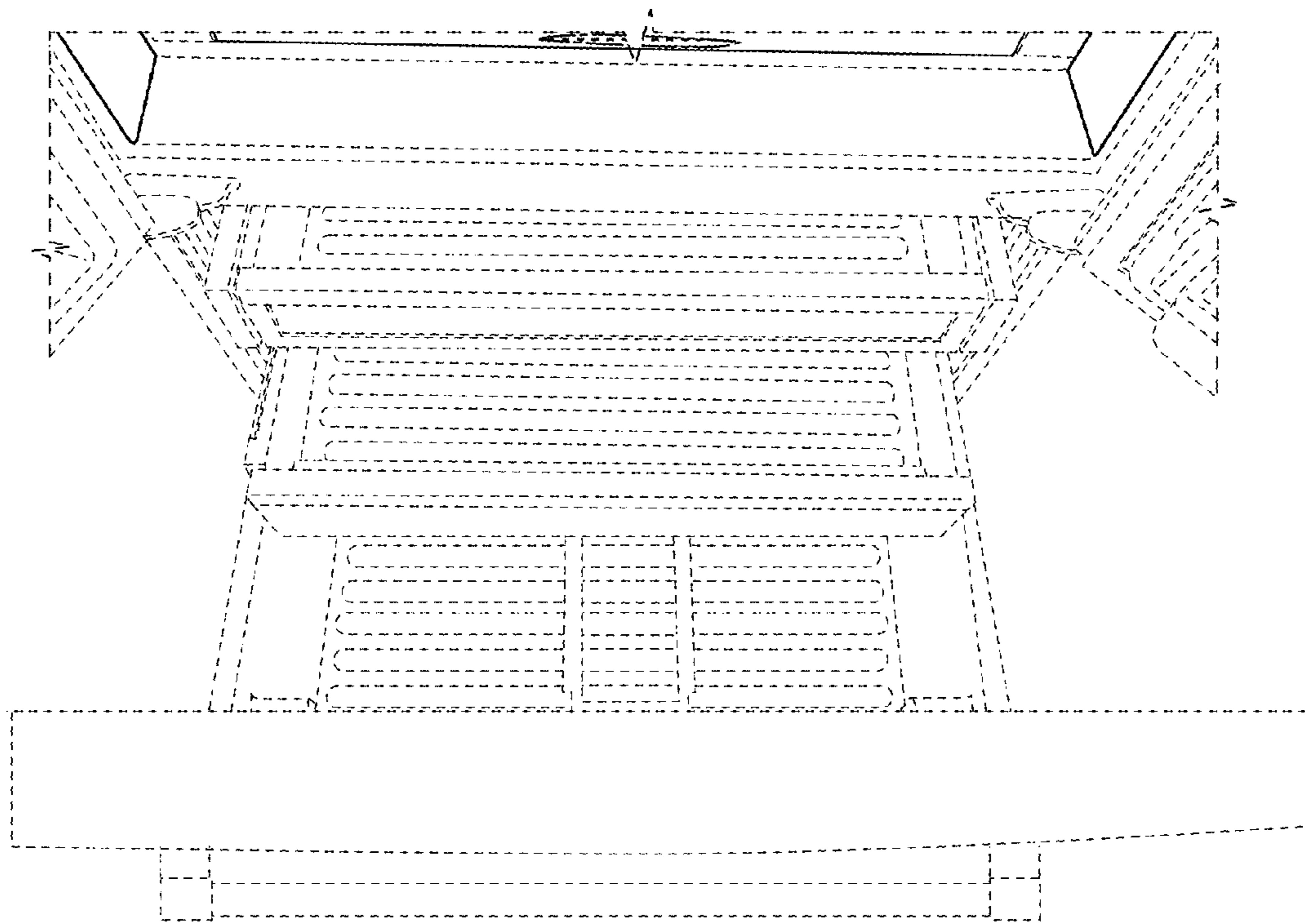


FIG. 15