



US00D761884S

(12) **United States Design Patent**  
**Austin et al.**

(10) **Patent No.:** **US D761,884 S**  
(45) **Date of Patent:** **\*\* Jul. 19, 2016**

(54) **TRAY**

(71) Applicant: **MARS, INCORPORATED**, McLean, VA (US)

(72) Inventors: **Daniel Austin**, Slough (GB); **Pete Cauwood**, Cambridge (GB); **Iain Sabberton**, Cambridge (GB); **Oliver Price**, London (GB)

(73) Assignee: **MARS, INCORPORATED**, McLean, VA (US)

(\*\*) Term: **14 Years**

(21) Appl. No.: **29/493,092**

(22) Filed: **Jun. 5, 2014**

(51) **LOC (10) Cl.** ..... **15-07**

(52) **U.S. Cl.**  
USPC ..... **D15/89**

(58) **Field of Classification Search**  
USPC ..... D15/79-91  
CPC ..... F25D 23/028; F25D 23/02; F25D 25/025; F25D 23/00; F25D 2323/021; F25D 11/00; F25D 2323/024; F25D 23/04; F25D 29/00; F25D 25/02; F25D 25/024; F25D 27/005; F25D 23/12; F25D 29/005; F25D 17/042; F25D 2325/021; F25D 2323/02

See application file for complete search history.

(56) **References Cited**

U.S. PATENT DOCUMENTS

D607,020 S \* 12/2009 Baacke et al. .... D15/89  
D656,970 S \* 4/2012 Merritt ..... D15/90  
D714,841 S \* 10/2014 Jeon et al. .... D15/89  
D714,843 S \* 10/2014 Jeon et al. .... D15/89

\* cited by examiner

*Primary Examiner* — Daniel Bui

*Assistant Examiner* — Khawaja Anwar

(74) *Attorney, Agent, or Firm* — Arent Fox LLP

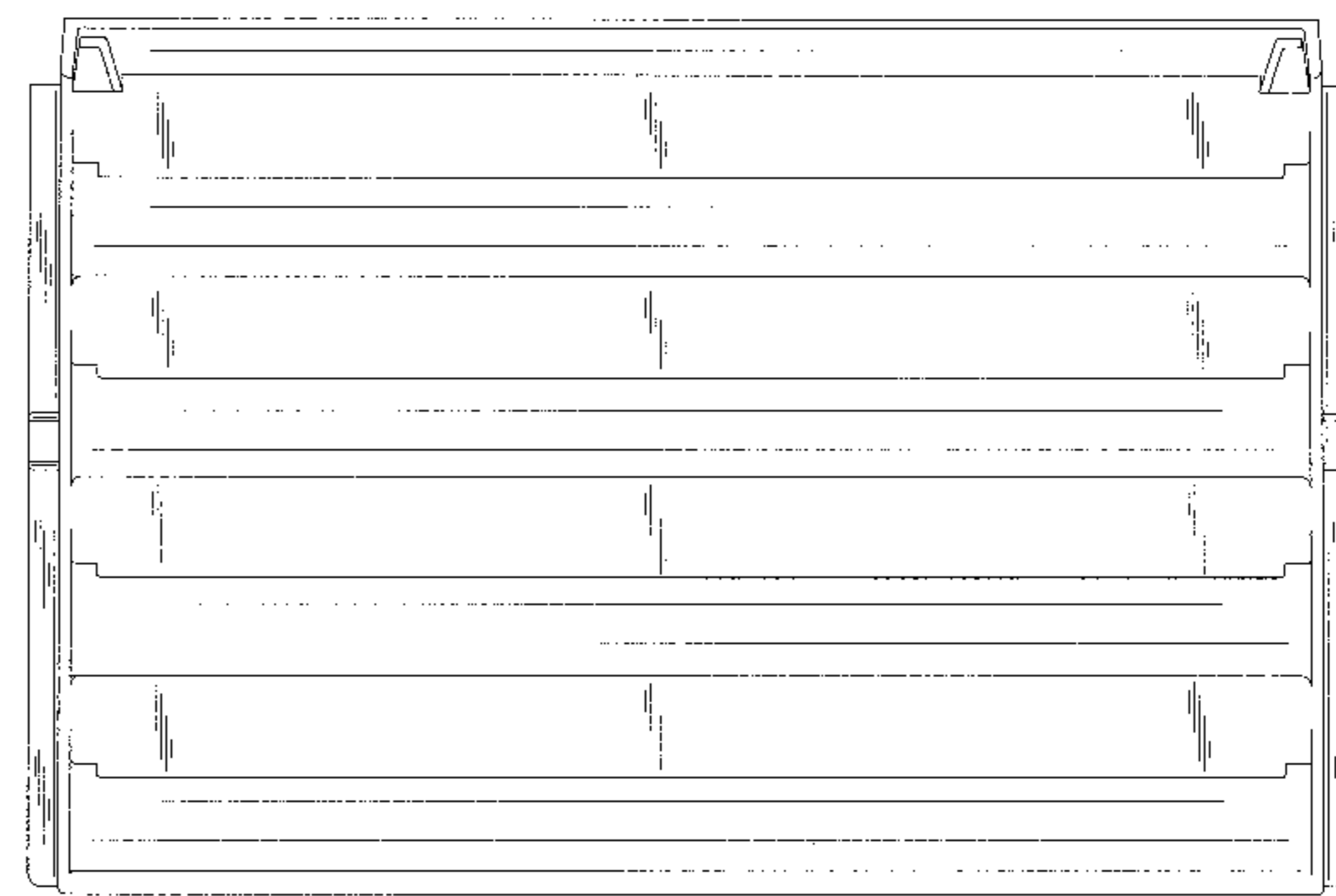
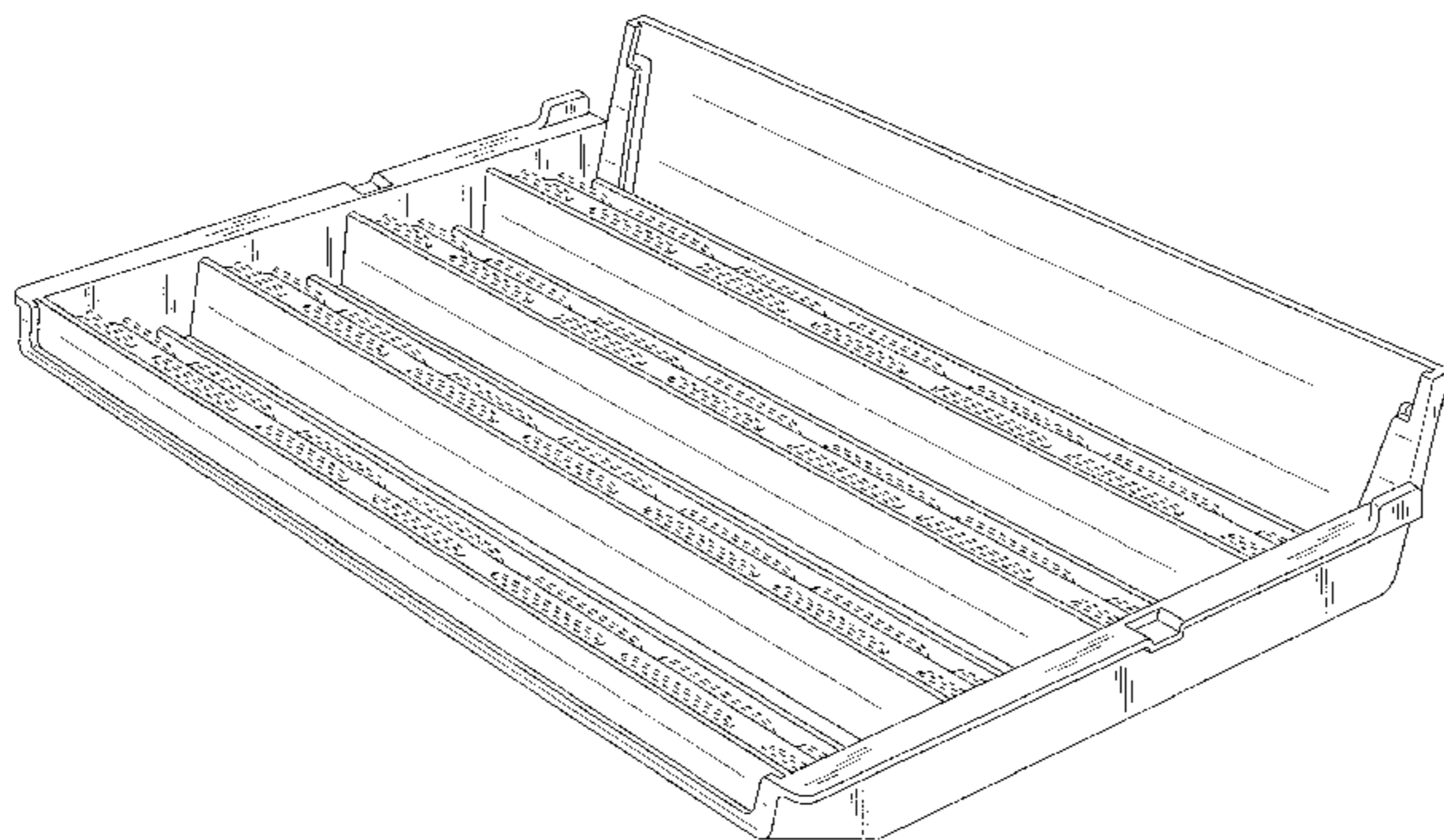
(57) **CLAIM**

The ornamental design for a tray, as shown and described.

**DESCRIPTION**

FIG. 1 is a perspective view of a tray showing our new design; FIG. 2 is a front elevation view thereof; FIG. 3 is a back elevation view thereof; FIG. 4 is a left side elevation view thereof; FIG. 5 is a right side elevation view thereof; FIG. 6 is a top plan view thereof; and, FIG. 7 is a bottom plan view thereof. The broken line in the figure drawings represents unclaimed environment only and form not part of the claimed design.

**1 Claim, 7 Drawing Sheets**



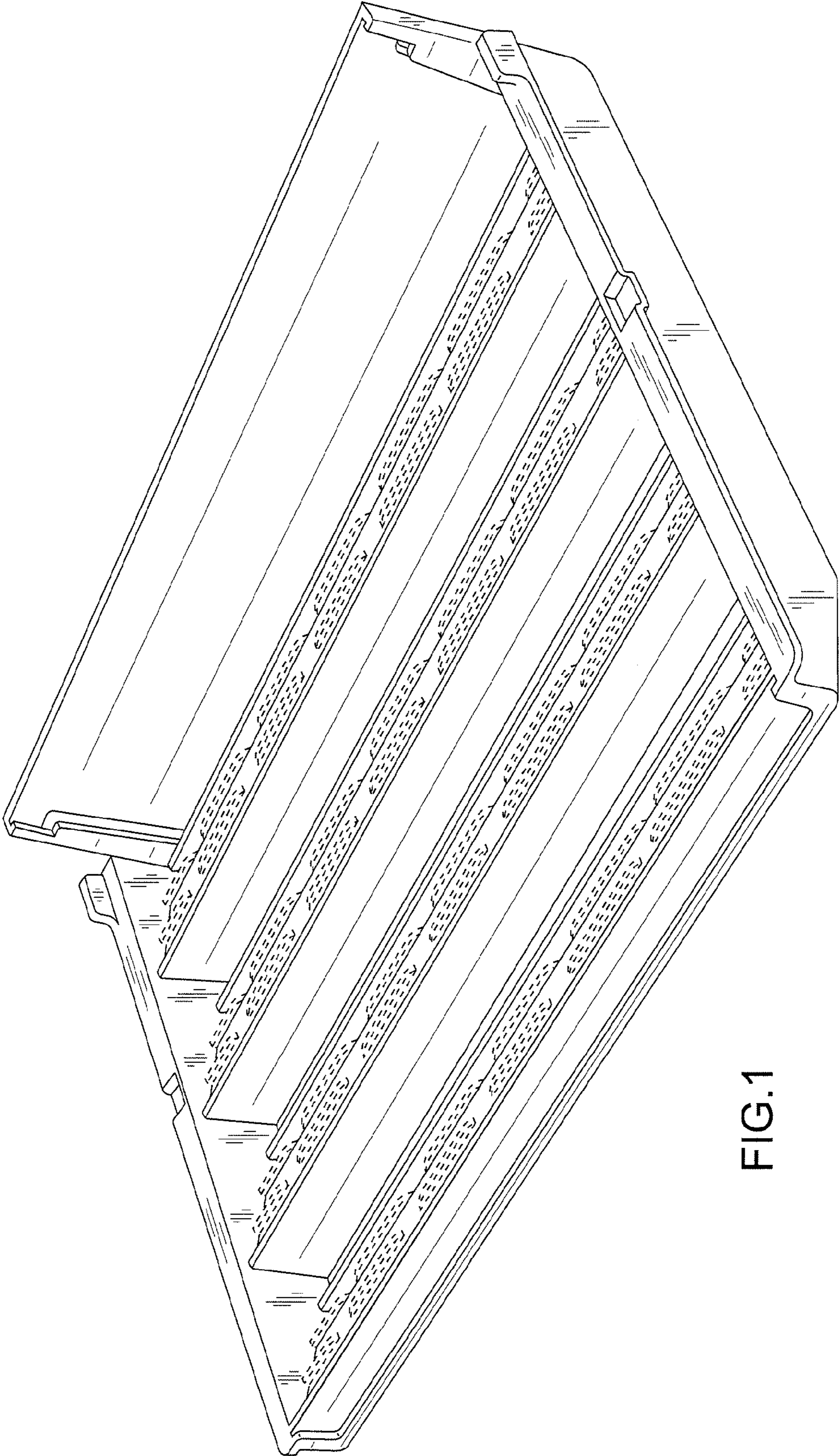


FIG.1

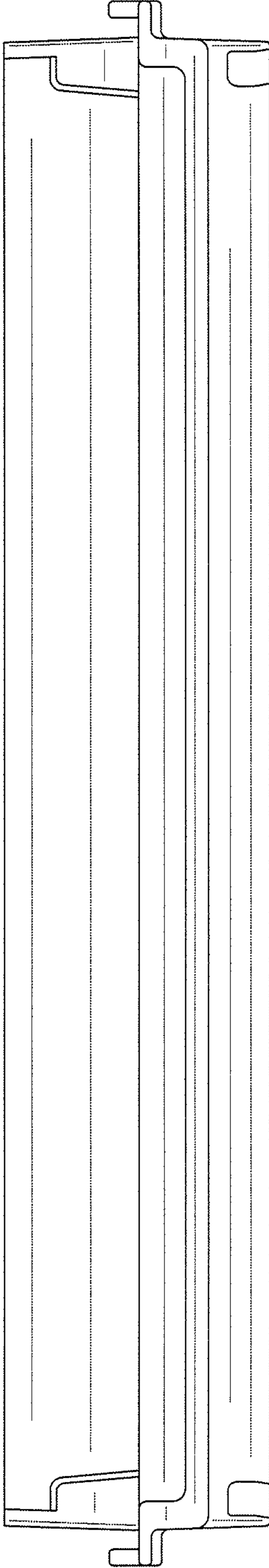


FIG.2

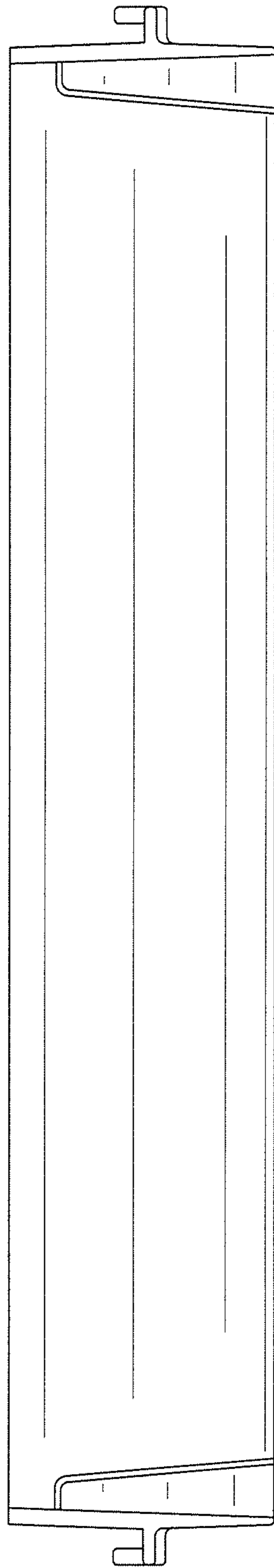


FIG.3

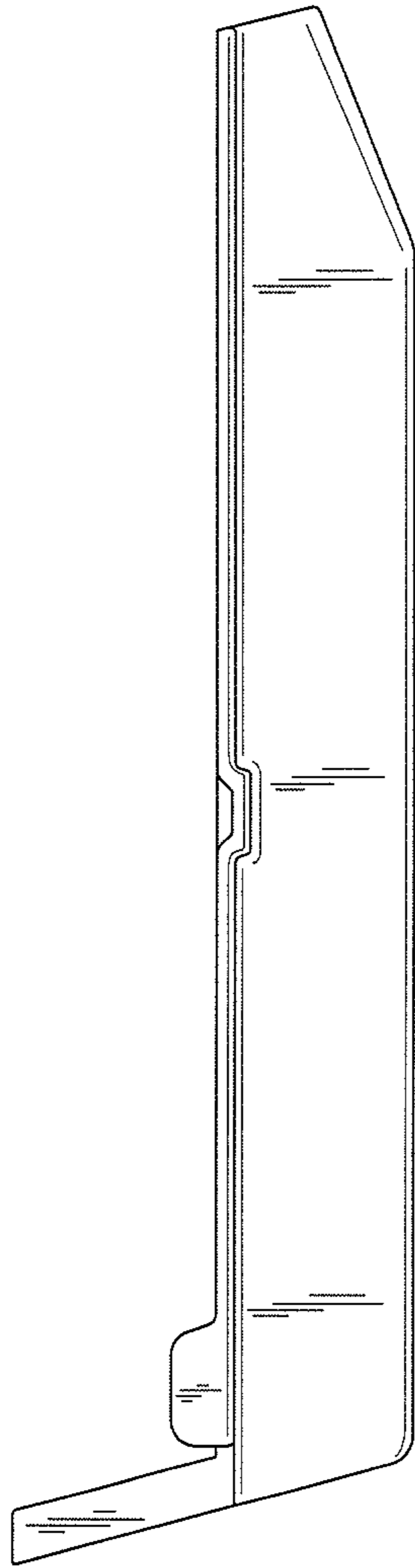


FIG.4

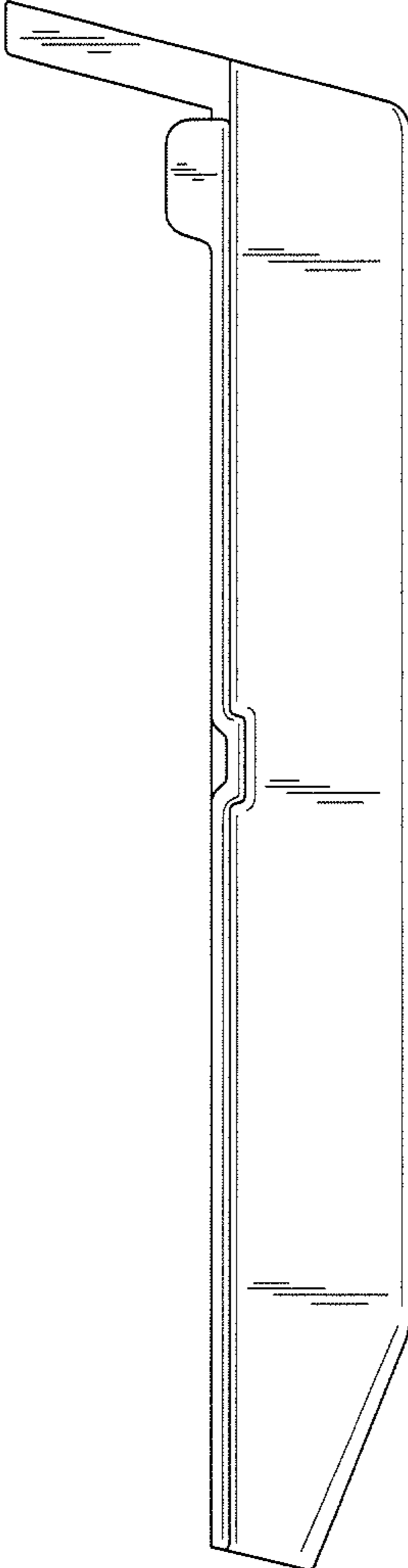


FIG.5

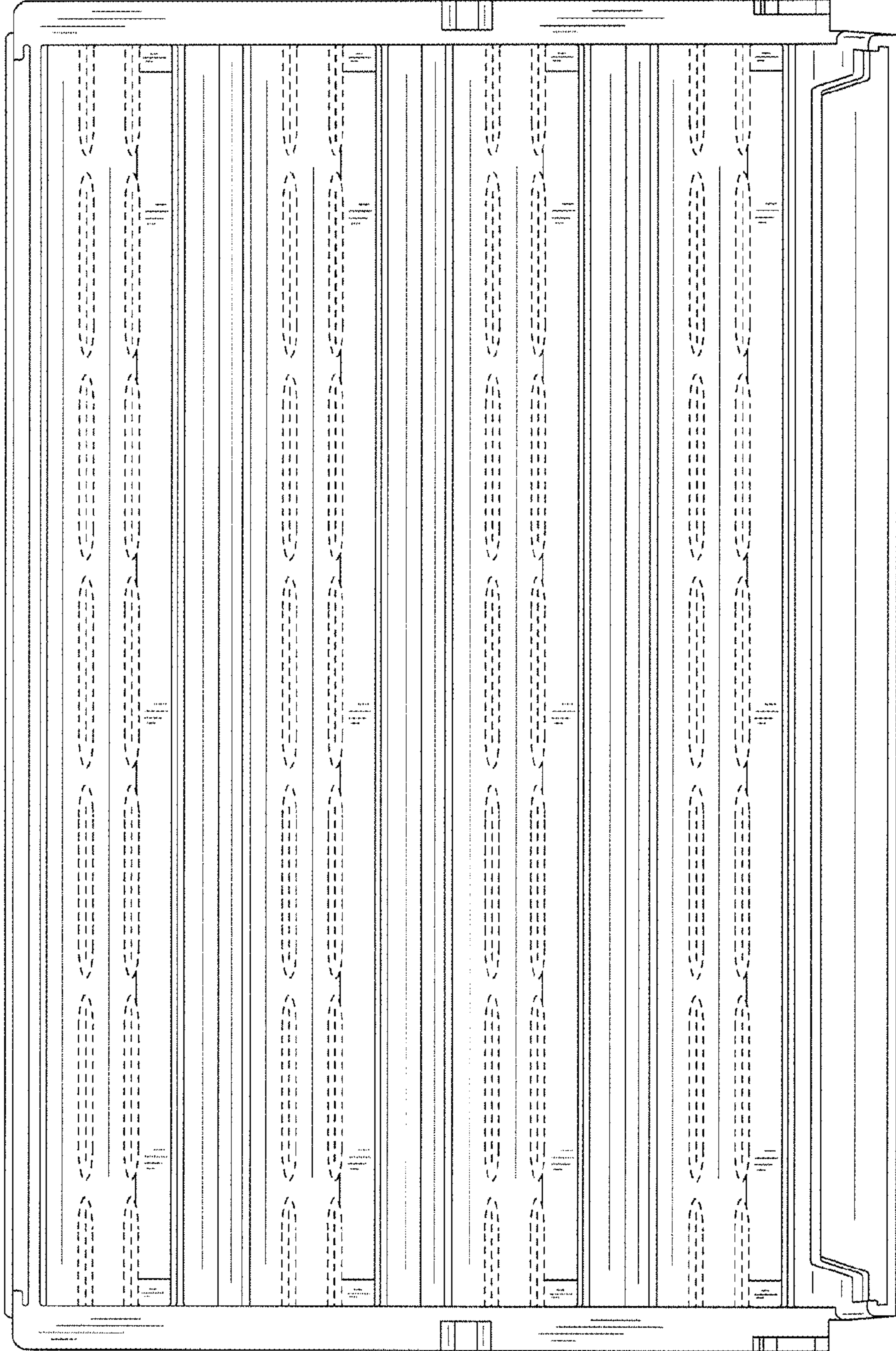


FIG.6

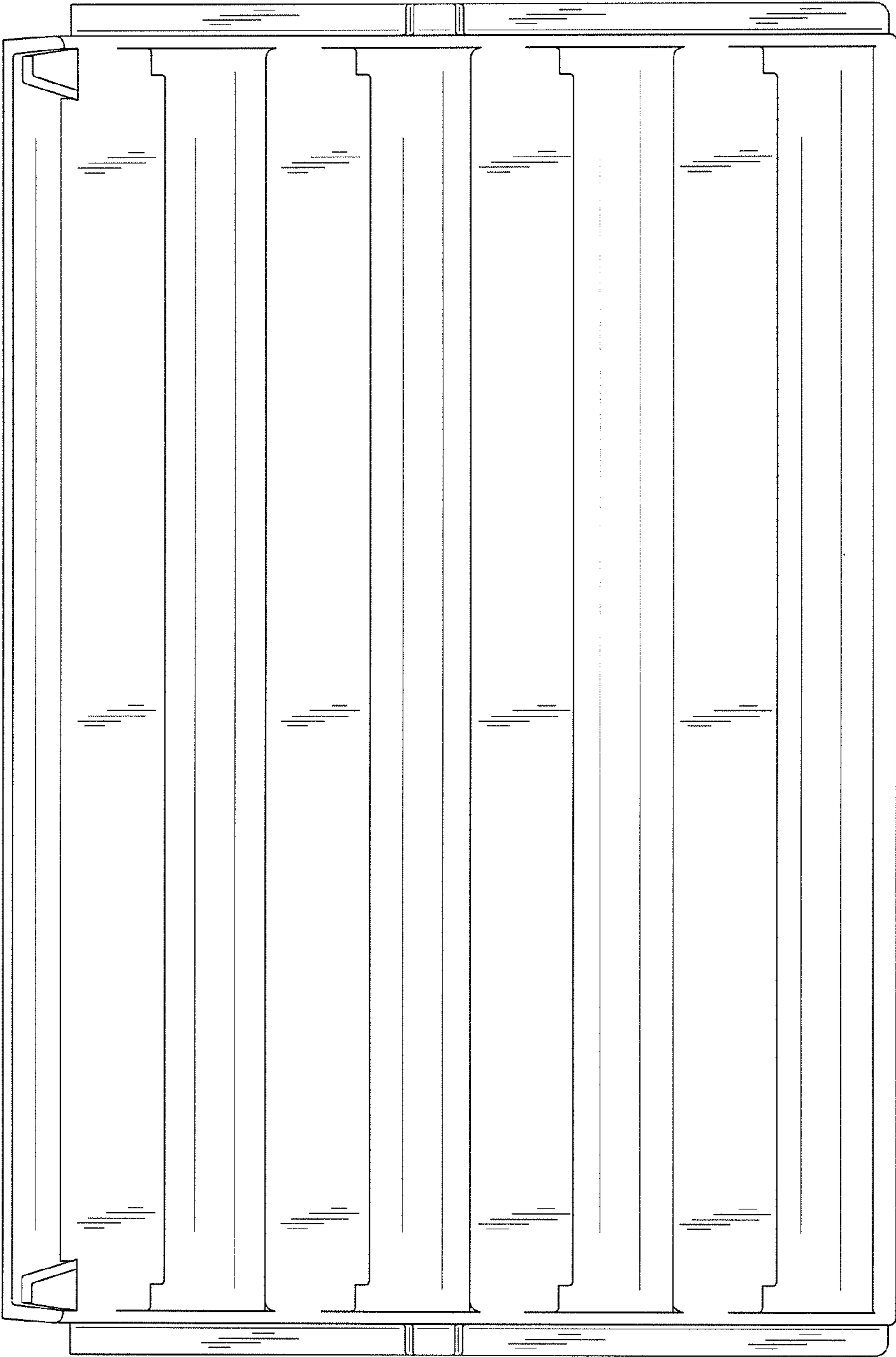


FIG.7