



US00D761881S

(12) **United States Design Patent**
Small

(10) **Patent No.:** **US D761,881 S**
(45) **Date of Patent:** **** Jul. 19, 2016**

(54) **BLOWER IMPELLER**

(75) Inventor: **Gary Small**, Horsham (AU)

(73) Assignee: **SMALLAIRE PTY LTD.**, Horsham,
Victoria (AU)

(**) Term: **14 Years**

(21) Appl. No.: **29/425,383**

(22) Filed: **Jun. 22, 2012**

(30) **Foreign Application Priority Data**

Dec. 23, 2011 (AU) 201115978

(51) **LOC (10) Cl.** **15-03**

(52) **U.S. Cl.**
USPC **D15/28**

(58) **Field of Classification Search**

USPC D15/28; D23/370, 379, 413, 411;
416/223 R, 238, 243, 179, 182, 186 R,
416/244 R; 361/695; 415/204, 205, 206,
415/170.1, 200

CPC F04D 29/28; F04D 29/284; F04D 29/222;
F04D 29/2222; F04D 29/20; F04D 29/22;
F04D 29/18; B23P 15/006; B29L 2031/087

See application file for complete search history.

(56) **References Cited**

U.S. PATENT DOCUMENTS

1,873,974 A * 8/1932 Meyer 416/186 R
2,201,947 A * 5/1940 Valentine 366/342
4,236,871 A * 12/1980 Hirst et al. 416/186 R
D355,253 S * 2/1995 Jansen et al. D23/411
6,210,116 B1 * 4/2001 Kuczaj et al. 416/185
D443,281 S * 6/2001 Sodergard D15/7
6,506,024 B1 * 1/2003 Thompson et al. 416/244 R
D486,158 S * 2/2004 Lei et al. D15/7

D507,343 S * 7/2005 Chiu et al. D23/379
D507,640 S * 7/2005 Chiu et al. D23/379
D533,935 S * 12/2006 Chen D23/411
D563,544 S * 3/2008 Hwang et al. D23/413
D575,749 S * 8/2008 Hwang et al. D13/179
D577,807 S * 9/2008 Kenyon et al. D23/379
D579,883 S * 11/2008 Hwang et al. D13/179
D587,363 S * 2/2009 Rheault D23/413
7,628,586 B2 * 12/2009 Feher 416/186 R
D616,468 S * 5/2010 Bossom D15/7
D629,095 S * 12/2010 Liu et al. D23/411
D630,721 S * 1/2011 Kenyon et al. D23/379
D631,065 S * 1/2011 Burgess et al. D15/9
D637,555 S * 5/2011 Rodriguez D13/115
D645,950 S * 9/2011 Kenyon et al. D23/379
8,186,958 B2 * 5/2012 Lee et al. 416/186 R
D663,411 S * 7/2012 Naya et al. D23/411
8,647,051 B2 * 2/2014 O'Connor et al. 415/102
8,961,107 B2 * 2/2015 Su et al. 415/102
2006/0280609 A1 * 12/2006 Ranz et al. 416/182

* cited by examiner

Primary Examiner — Mark Goodwin

(74) *Attorney, Agent, or Firm* — I. Morley Drucker;
Fulwider Patton LLP

(57) **CLAIM**

The ornamental design for a blower impeller, as shown and described.

DESCRIPTION

FIG. 1 is a top plan view of a blower impeller showing my new design;

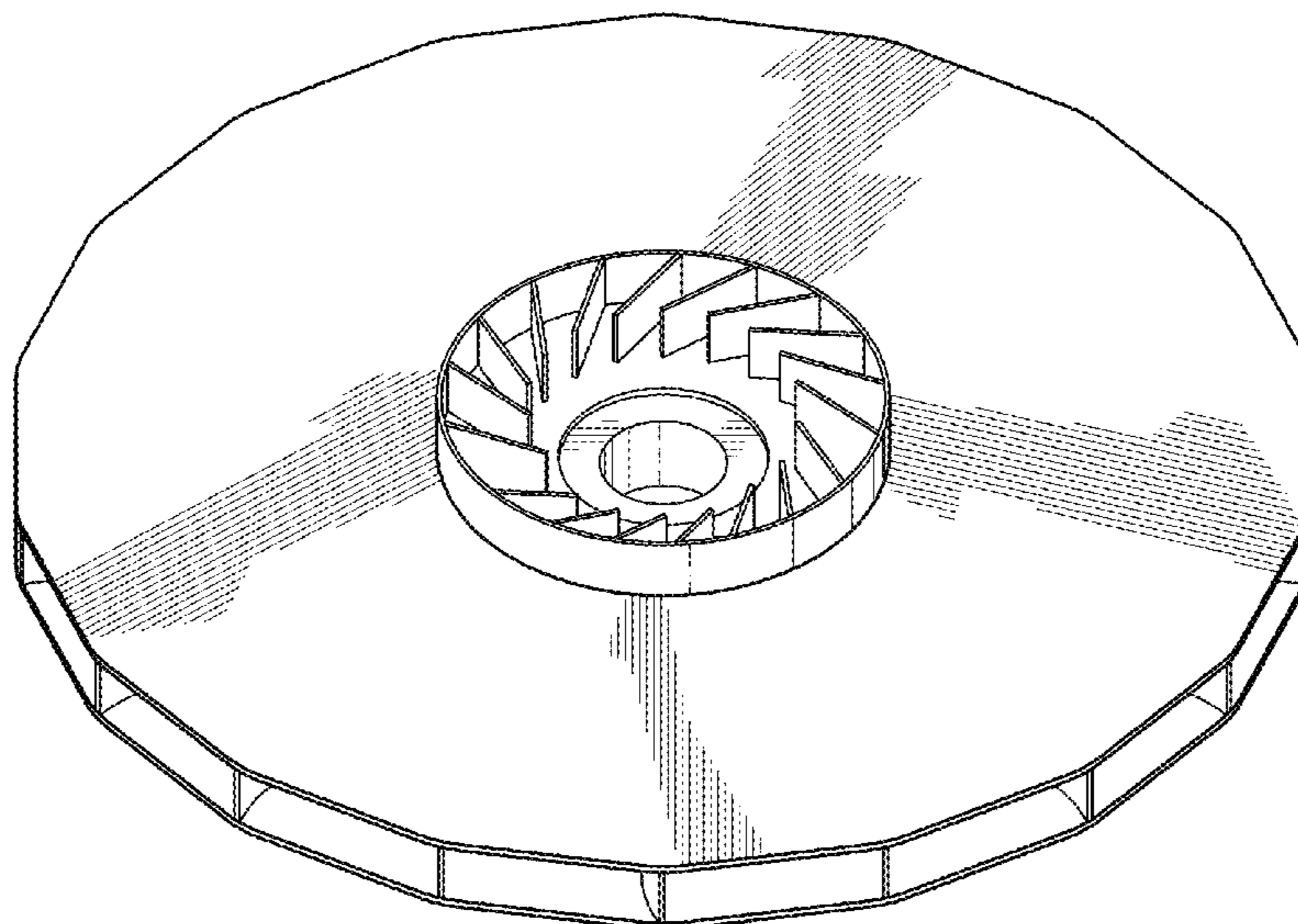
FIG. 2 is a side elevational view thereof;

FIG. 3 is a top perspective view thereof; and,

FIG. 4 is a bottom plan view thereof.

The broken lines shown in the drawings represent unclaimed portions of the blower impeller and form no part of the claimed design.

1 Claim, 4 Drawing Sheets



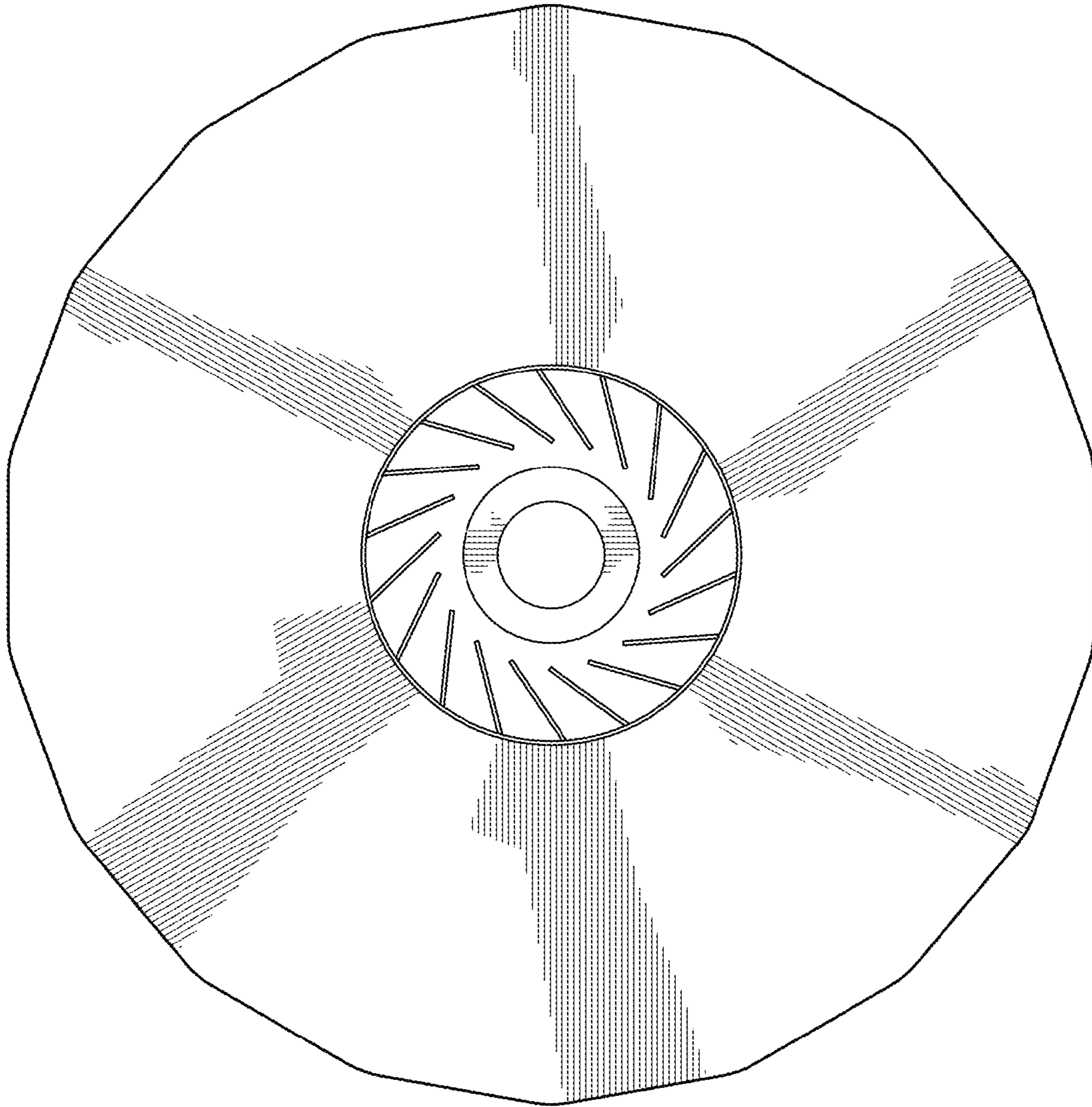


FIG. 1

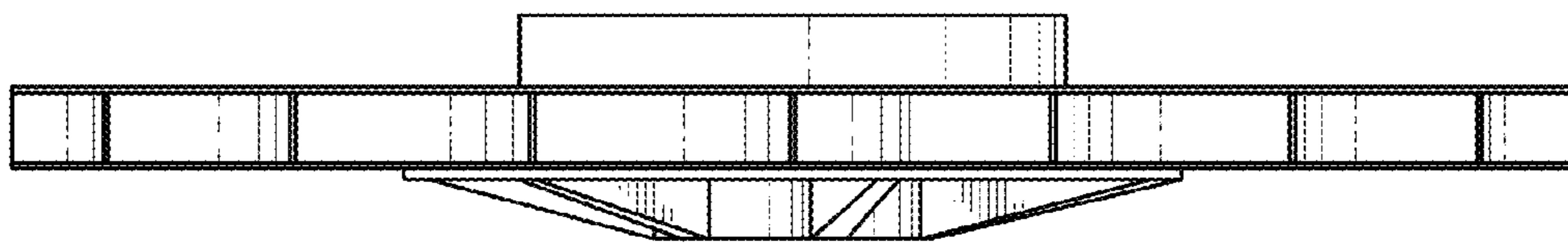


FIG. 2

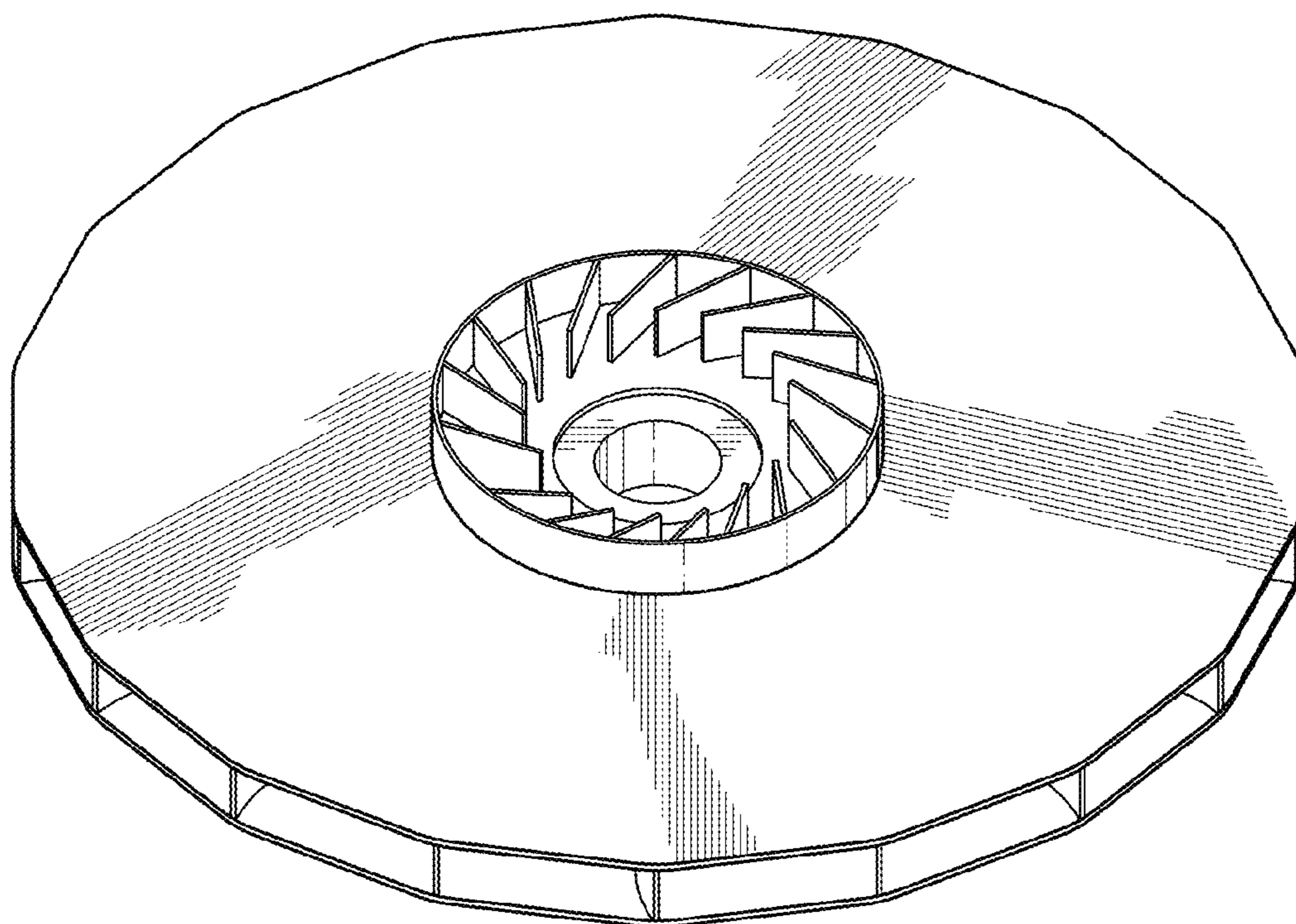


FIG. 3

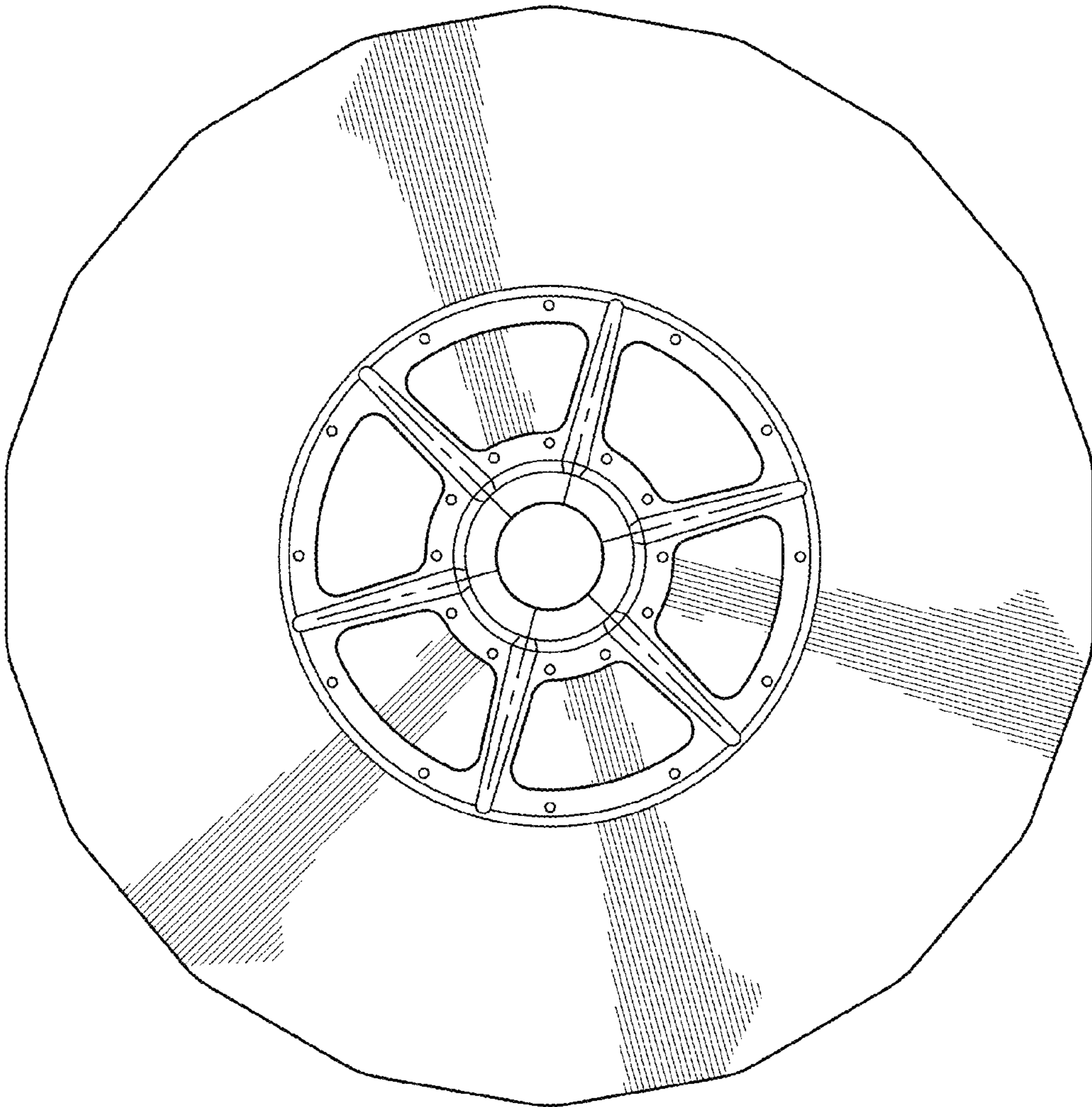


FIG. 4