



US00D761880S

(12) **United States Design Patent**
Furuki et al.

(10) **Patent No.:** **US D761,880 S**
(45) **Date of Patent:** **** Jul. 19, 2016**

- (54) **SKID STEER LOADER**
- (71) Applicant: **Kubota Corporation**, Osaka-City, Osaka (JP)
- (72) Inventors: **Taiki Furuki**, Sakai (JP); **Toshihiko Takemura**, Sakai (JP); **Yuji Yamashita**, Sakai (JP); **Ryohei Sumiyoshi**, Sakai (JP); **Toyoaki Yasuda**, Sakai (JP)
- (73) Assignee: **KUBOTA CORPORATION**, Osaka (JP)
- (**) Term: **14 Years**
- (21) Appl. No.: **29/474,464**
- (22) Filed: **Sep. 26, 2014**
- (51) **LOC (10) Cl.** **12-09**
- (52) **U.S. Cl.**
USPC **D15/25**
- (58) **Field of Classification Search**
USPC D15/10, 17, 22-26, 28, 30; D12/192; D21/329; D34/28, 35; 74/491, 469, 74/471 R, 471 XY; 280/752; 296/1.09, 191, 296/153; 297/411.36, 217.3, 411.2, 411.21; 180/333, 315, 326, 332, 329, 331, 90, 180/334
CPC E02F 3/3405; E02F 3/283; E02F 9/166; E02F 3/342; E02F 3/3414; E02F 3/38; E02F 3/00; E02F 9/163; A01G 23/006; B62D 33/0617; B62D 33/067
See application file for complete search history.

5,240,366 A * 8/1993 Bamford B60K 20/00 212/261
 5,390,985 A * 2/1995 Chandler 301/44.2
 D376,244 S * 12/1996 Feider et al. D34/35

(Continued)

FOREIGN PATENT DOCUMENTS

CN 301048915 D 10/2009
 JP 1352039 S 2/2009

(Continued)

OTHER PUBLICATIONS

Catalog "Skid Steer Loaders Product Range", 2012 BOBCAT, B 4474320-EN (12-12), Di CE—Dreve Richelle 167-8-1410 Waterloo, Belgium, total 12 pages.

(Continued)

Primary Examiner — Mark Goodwin
 (74) *Attorney, Agent, or Firm* — Masuvalley & Partners

(57) **CLAIM**

The ornamental design for a skid steer loader, as shown and described.

DESCRIPTION

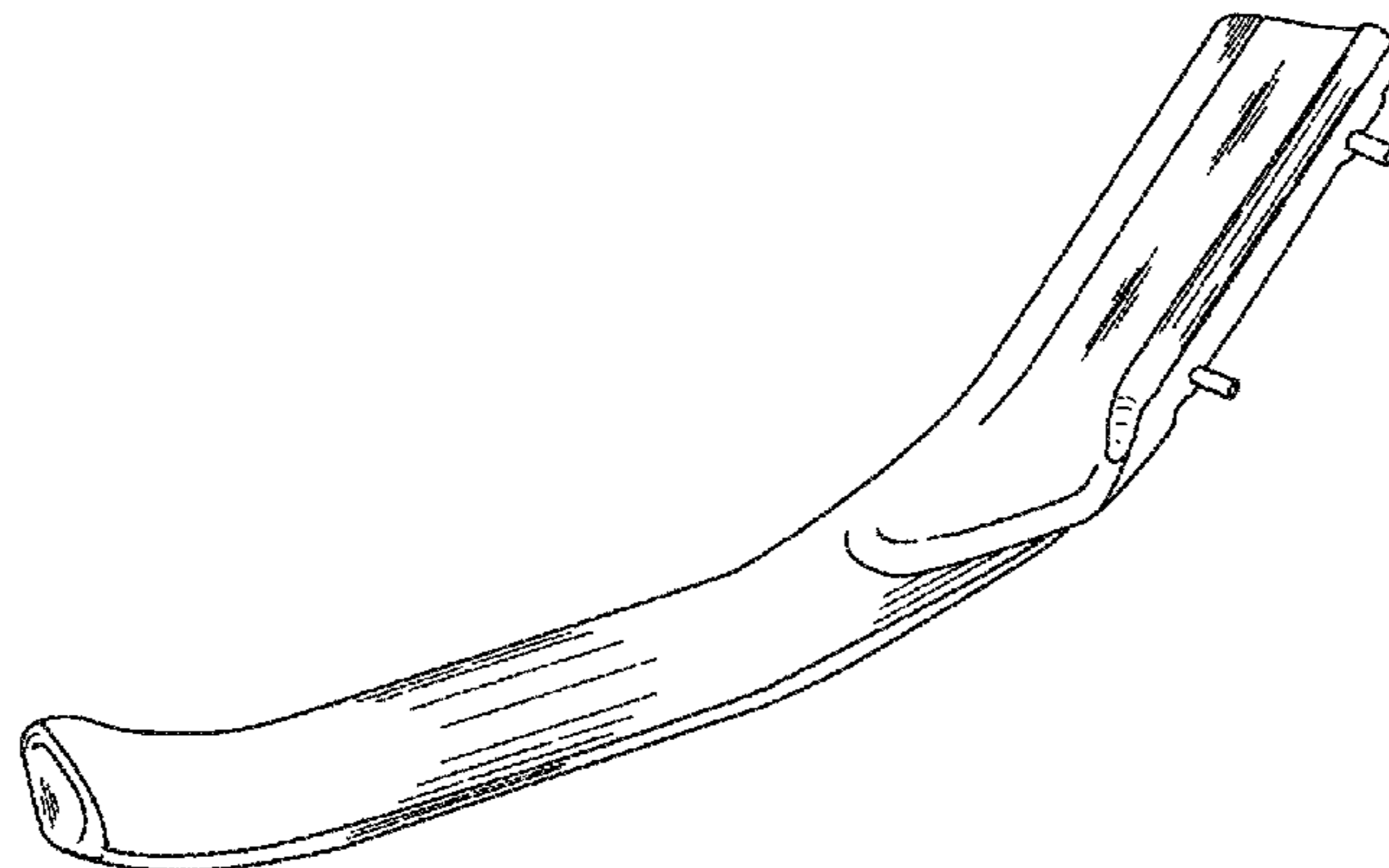
FIG. 1 is a perspective view of the skid steer loader according to the invention;
 FIG. 2 is a front elevation view of the skid steer loader of FIG. 1;
 FIG. 3 is a rear elevation view of the skid steer loader of FIG. 1;
 FIG. 4 is a right side elevation view of the skid steer loader of FIG. 1;
 FIG. 5 is a left side elevation view of the skid steer loader of FIG. 1; and,
 FIG. 6 is a top plan view of the skid steer loader of FIG. 1.
 The line shading in parts of the drawing is included for the purpose of illustrating use and environment and forms no part of the claimed design.

1 Claim, 6 Drawing Sheets

(56) **References Cited**

U.S. PATENT DOCUMENTS

- 4,705,449 A * 11/1987 Christianson E02F 9/163 180/6.5
- D314,389 S * 2/1991 Lynnes D15/25
- D317,926 S * 7/1991 Lynnes D15/23
- D322,792 S * 12/1991 Park D15/25



(56)

References Cited

U.S. PATENT DOCUMENTS

D376,372 S * 12/1996 Little D15/23
 5,938,282 A * 8/1999 Epple 297/217.3
 D419,568 S * 1/2000 Baig D15/23
 D423,521 S * 4/2000 Walter D15/23
 D427,207 S * 6/2000 Altmann et al. D15/28
 D427,208 S * 6/2000 Altmann et al. D15/28
 D450,718 S * 11/2001 Muraro D15/25
 D458,278 S * 6/2002 Clevenger D15/28
 D463,458 S * 9/2002 Arthur et al. D15/28
 D492,327 S 6/2004 Albright et al.
 D504,136 S * 4/2005 Albright D15/23
 D508,499 S 8/2005 Kurtz, Jr.
 D516,096 S * 2/2006 Bergman et al. D15/28
 D516,097 S * 2/2006 Bergman et al. D15/28
 D520,525 S * 5/2006 Enmeiji D15/23
 D539,311 S * 3/2007 Honda et al. D15/28
 D559,593 S * 1/2008 Fullenkamp et al. D6/501
 D570,379 S 6/2008 Kato
 D573,160 S * 7/2008 Kato D15/25
 D579,027 S * 10/2008 Kato D15/25
 D583,834 S * 12/2008 Sugiyama D15/23
 D583,835 S * 12/2008 Sugiyama D15/23
 D586,827 S * 2/2009 Andou et al. D15/28
 D588,613 S * 3/2009 Schroeder et al. D15/17

D600,721 S * 9/2009 Shimomura D15/23
 8,226,155 B2 * 7/2012 Hill et al. 296/190.01
 8,464,819 B2 * 6/2013 Major B62D 33/0617
 180/89.12
 D692,030 S 10/2013 Martin et al.
 D692,031 S 10/2013 Martin et al.
 9,045,882 B2 * 6/2015 Major A01G 23/006
 2003/0150663 A1 * 8/2003 Farbotnik B62D 24/02
 180/312
 2007/0145805 A1 * 6/2007 Bower 297/411.21

FOREIGN PATENT DOCUMENTS

JP 1353800 S 3/2009
 JP 1353801 S 3/2009
 JP 1353802 S 3/2009
 JP 1353803 S 3/2009
 JP 1371608 S 10/2009

OTHER PUBLICATIONS

Catalog "226D/232D/236D/242D/246D/262D Skid Steer Loaders",
 2015 Caterpillar, AEHQ7212-01(Jul. 2015) Replaces AEHQ7212,
 total 20 pages.
 Catalog "Komatsu CK25-1/CK35-1 Skid Steer Loader",
 WESS005300 Apr. 2006, total 8 pages.

* cited by examiner

FIG. 1

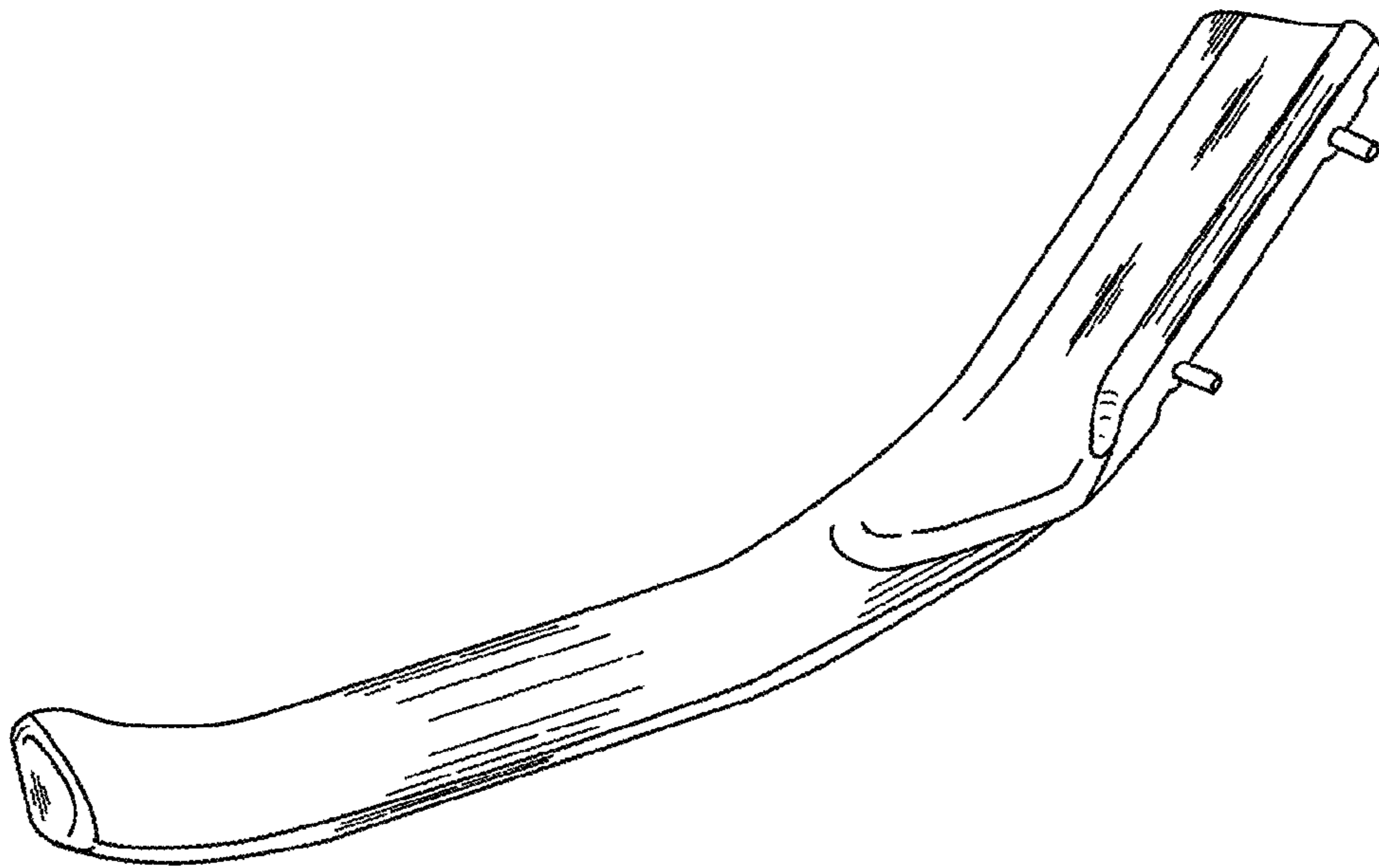


FIG. 2

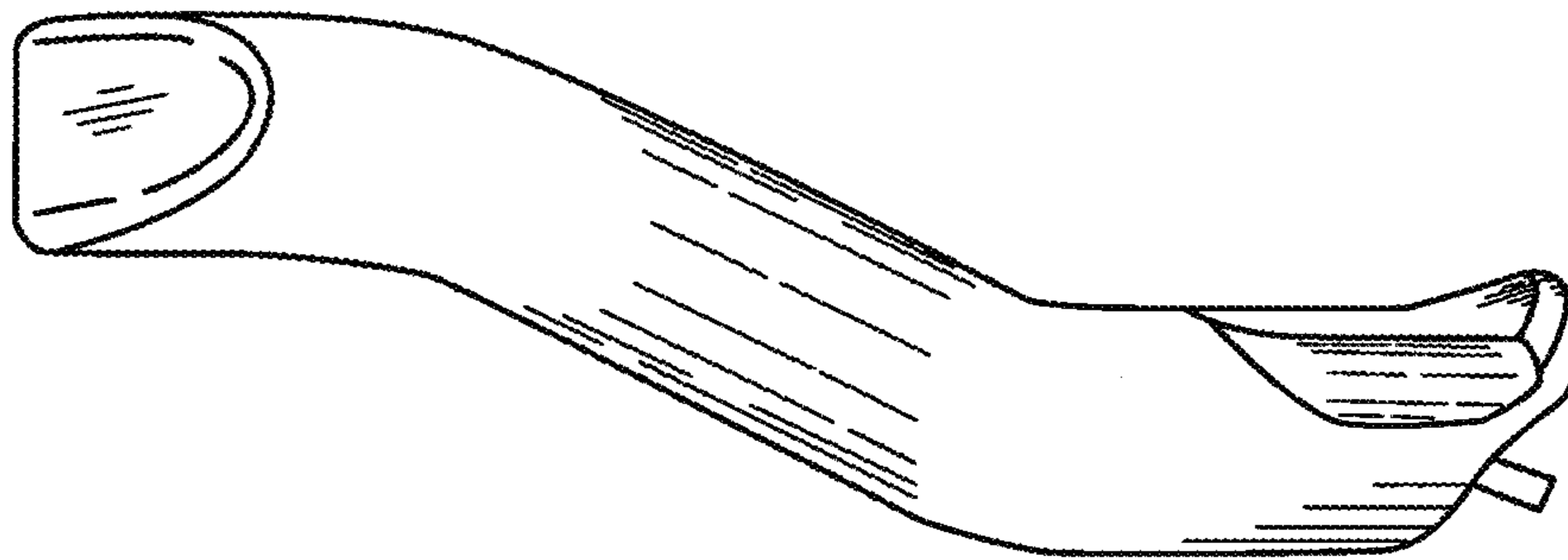


FIG. 3

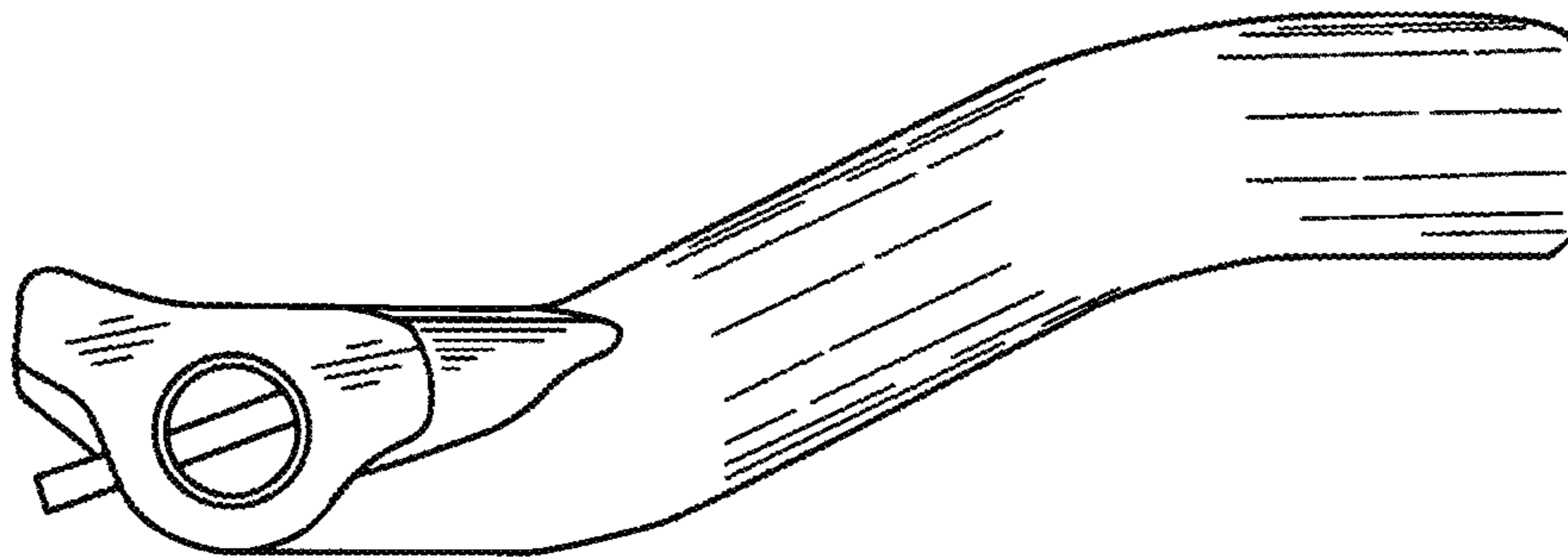


FIG. 4



FIG. 5

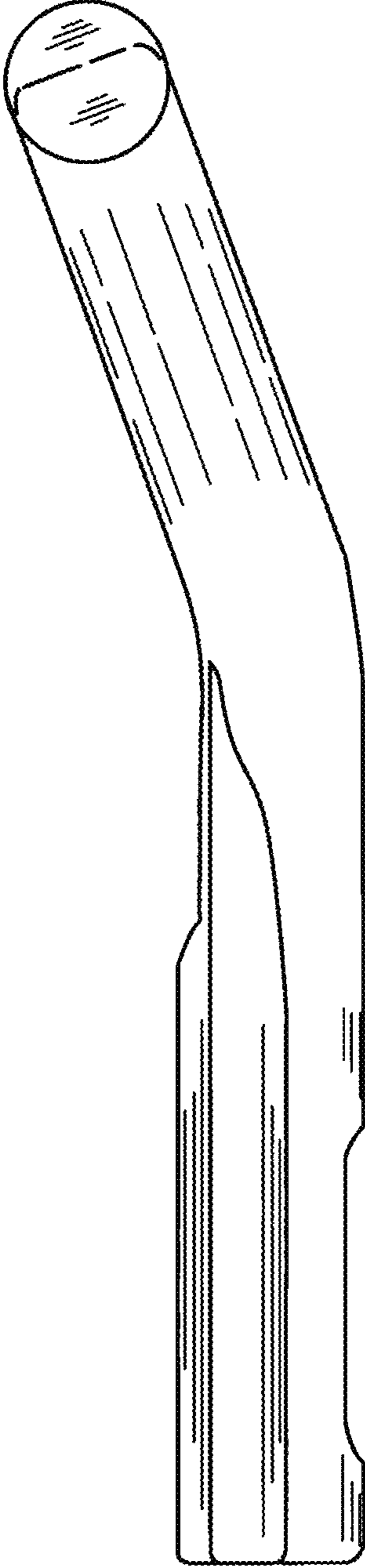
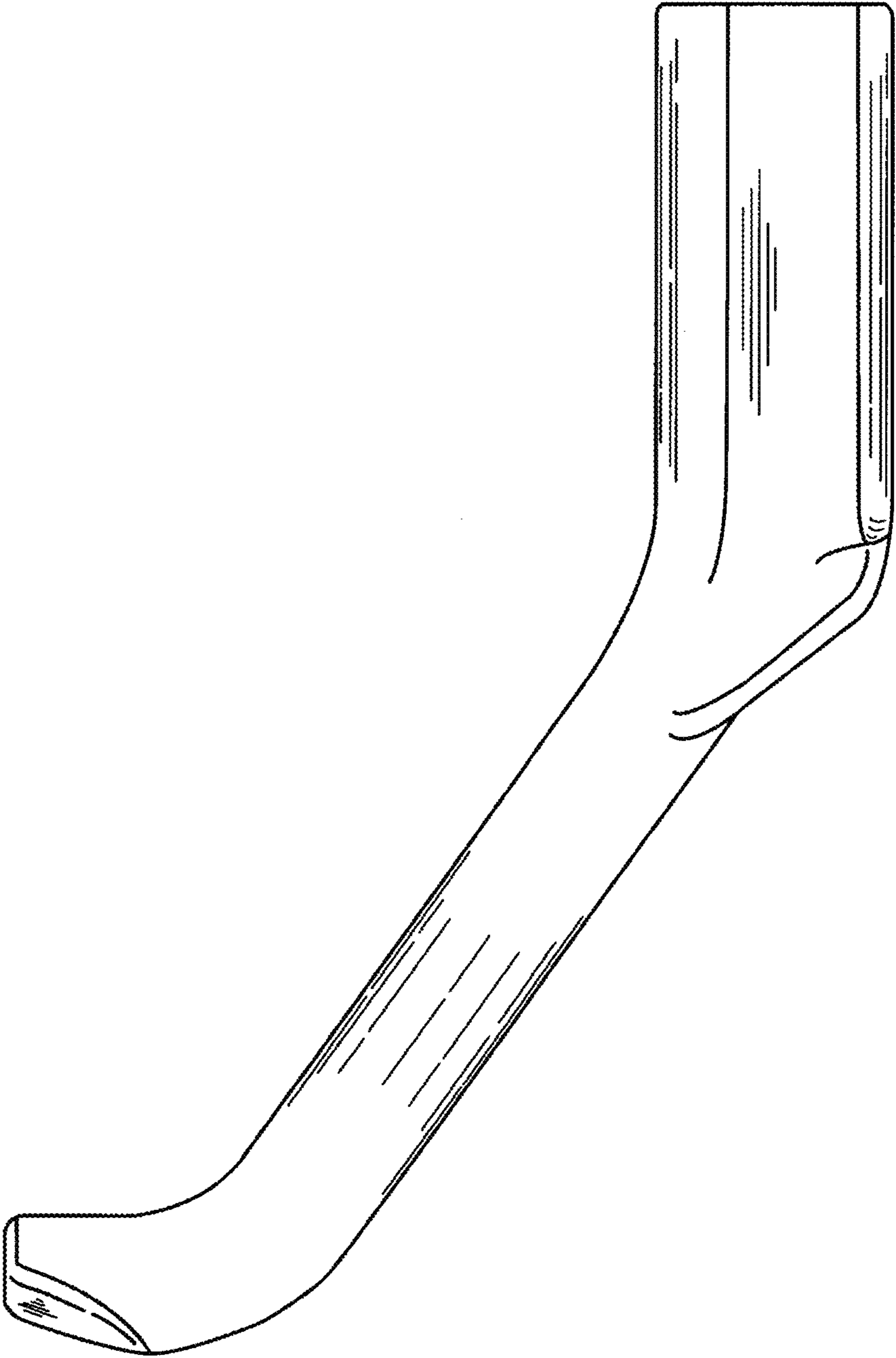


FIG. 6



UNITED STATES PATENT AND TRADEMARK OFFICE
CERTIFICATE OF CORRECTION

PATENT NO. : D761,880 S
APPLICATION NO. : 29/474464
DATED : July 19, 2016
INVENTOR(S) : Furuki et al.

Page 1 of 9

It is certified that error appears in the above-identified patent and that said Letters Patent is hereby corrected as shown below:

Please delete Pat. No. D761,880 S in its entirety and insert Pat. No. D761,880 S in its entirety as shown on the attaches pages.

Signed and Sealed this
Nineteenth Day of September, 2017



Joseph Matal
*Performing the Functions and Duties of the
Under Secretary of Commerce for Intellectual Property and
Director of the United States Patent and Trademark Office*

(12) **United States Design Patent** (10) **Patent No.:** **US D761,880 S**
Furuki et al. (45) **Date of Patent:** **** Jul. 19, 2016**

(54) **SKID STEER LOADER** D317,926 S * 7/1991 Lynnes D15/23
 D322,792 S * 12/1991 Park D15/25
 5,240,366 A * 8/1993 Bamford B60K 20/00
 212/261

(71) Applicant: **Kubota Corporation**, Osaka-City,
 Osaka (JP)

(Continued)

(72) Inventors: **Taiki Furuki**, Sakai (JP); **Toshihiko Takemura**, Sakai (JP); **Yuji Yamashita**, Sakai (JP); **Ryohei Sumiyoshi**, Sakai (JP); **Toyoaki Yasuda**, Sakai (JP)

FOREIGN PATENT DOCUMENTS

CN 301048915 D 10/2009
 JP 1352039 S 2/2009

(Continued)

(73) Assignee: **KUBOTA CORPORATION**, Osaka (JP)

OTHER PUBLICATIONS

(**) Term: **14 Years**

Catalog "Skid Steer Loaders Product Range", 2012 BOBCAT, B 4474320-EN (12-12), Di CE—Dreve Richelle 167-8-1410 Waterloo, Belgium, total 12 pages.

(Continued)

(21) Appl. No.: **29/474,464**

(22) Filed: **Sep. 26, 2014**

(51) **LOC (10) Cl.** **12-09**

(52) **U.S. Cl.**
 USPC **D15/25**

(58) **Field of Classification Search**
 USPC D15/10, 17, 22-26, 28, 30; D12/192; D21/329; D34/28, 35; 74/491, 469, 74/471 R, 471 XY; 280/752; 296/1.09, 296/191, 153; 297/411.36, 217.3, 411.2, 297/411.21; 180/333, 315, 326, 332, 329, 180/331, 90, 334
 CPC E02F 3/3405; E02F 3/283; E02F 9/166; E02F 3/342; E02F 3/3414; E02F 3/38; E02F 3/00; E02F 9/163; A01G 23/006; B62D 33/0617; B62D 33/067
 See application file for complete search history.

Primary Examiner — Mark Goodwin
 (74) *Attorney, Agent, or Firm* — Masuvalley & Partners

(57) **CLAIM**

The ornamental design for a skid steer loader, as shown and described.

DESCRIPTION

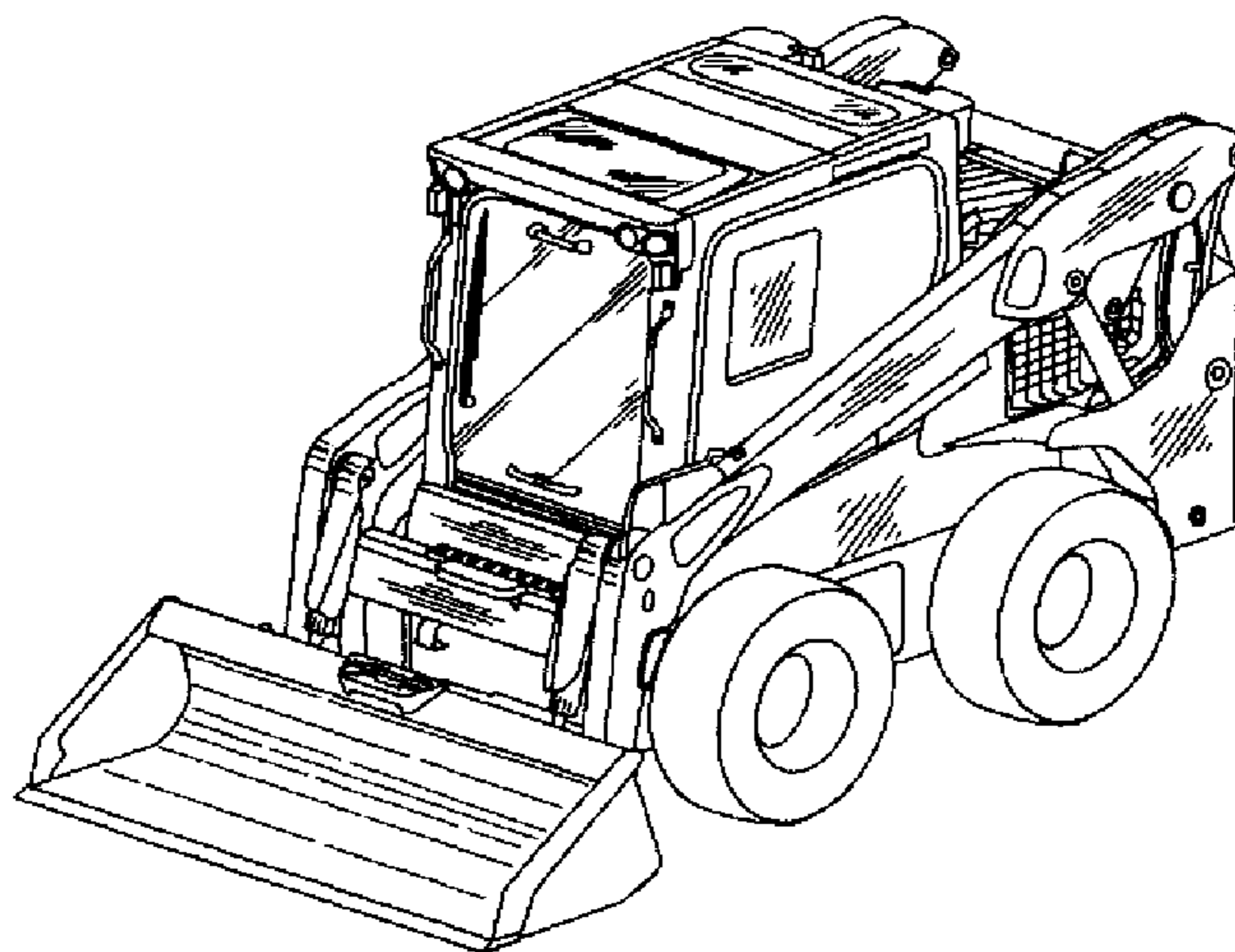
FIG. 1 is a perspective view of the skid steer loader according to the invention;
 FIG. 2 is a front elevation view of the skid steer loader of FIG. 1;
 FIG. 3 is a rear elevation view of the skid steer loader of FIG. 1;
 FIG. 4 is a right side elevation view of the skid steer loader of FIG. 1;
 FIG. 5 is a left side elevation view of the skid steer loader of FIG. 1; and,
 FIG. 6 is a top plan view of the skid steer loader of FIG. 1.
 The line shading in parts of the drawing is included for the purpose of illustrating use and environment and forms no part of the claimed design.

(56) **References Cited**

U.S. PATENT DOCUMENTS

4,705,449 A * 11/1987 Christianson E02F 9/163
 180/6.5
 D314,389 S * 2/1991 Lynnes D15/25

1 Claim, 6 Drawing Sheets



US D761,880 S

Page 2

(56)

References Cited

U.S. PATENT DOCUMENTS

5,390,985 A * 2/1995 Chandler 301/44.2
 D376,244 S * 12/1996 Feider et al. D34/35
 D376,372 S * 12/1996 Little D15/23
 5,938,282 A * 8/1999 Epple 297/217.3
 D419,568 S * 1/2000 Baig D15/23
 D423,521 S * 4/2000 Walter D15/23
 D427,207 S * 6/2000 Altmann et al. D15/28
 D427,208 S * 6/2000 Altmann et al. D15/28
 D450,718 S * 11/2001 Muraro D15/25
 D458,278 S * 6/2002 Clevenger D15/28
 D463,458 S * 9/2002 Arthur et al. D15/28
 D492,327 S * 6/2004 Albright et al.
 D504,136 S * 4/2005 Albright D15/23
 D508,499 S * 8/2005 Kurtz, Jr.
 D516,096 S * 2/2006 Bergman et al. D15/28
 D516,097 S * 2/2006 Bergman et al. D15/28
 D520,525 S * 5/2006 Enmeiji D15/23
 D539,311 S * 3/2007 Honda et al. D15/28
 D559,593 S * 1/2008 Fullenkamp et al. D6/501
 D570,379 S * 6/2008 Kato
 D573,160 S * 7/2008 Kato D15/25
 D579,027 S * 10/2008 Kato D15/25
 D583,834 S * 12/2008 Sugiyama D15/23
 D583,835 S * 12/2008 Sugiyama D15/23
 D586,827 S * 2/2009 Andou et al. D15/28
 D588,613 S * 3/2009 Schroeder et al. D15/17

D600,721 S * 9/2009 Shimomura D15/23
 8,226,155 B2 * 7/2012 Hill et al. 296/190.01
 8,464,819 B2 * 6/2013 Major B62D 33/0617
 180/89.12

D692,030 S 10/2013 Martin et al.
 D692,031 S 10/2013 Martin et al.
 9,045,882 B2 * 6/2015 Major A01G 23/006
 2003/0150663 A1 * 8/2003 Farbotnik B62D 24/02
 180/312
 2007/0145805 A1 * 6/2007 Bower 297/411.21

FOREIGN PATENT DOCUMENTS

JP 1353800 S 3/2009
 JP 1353801 S 3/2009
 JP 1353802 S 3/2009
 JP 1353803 S 3/2009
 JP 1371608 S 10/2009

OTHER PUBLICATIONS

Catalog "226D/232D/236D/242D/246D/262D Skid Steer Loaders",
 2015 Caterpillar, AEHQ7212-01(Jul. 2015) Replaces AEHQ7212,
 total 20 pages.

Catalog "Komatsu CK25-1/CK35-1 Skid Steer Loader",
 WESS005300 Apr. 2006, total 8 pages.

* cited by examiner

FIG. 1

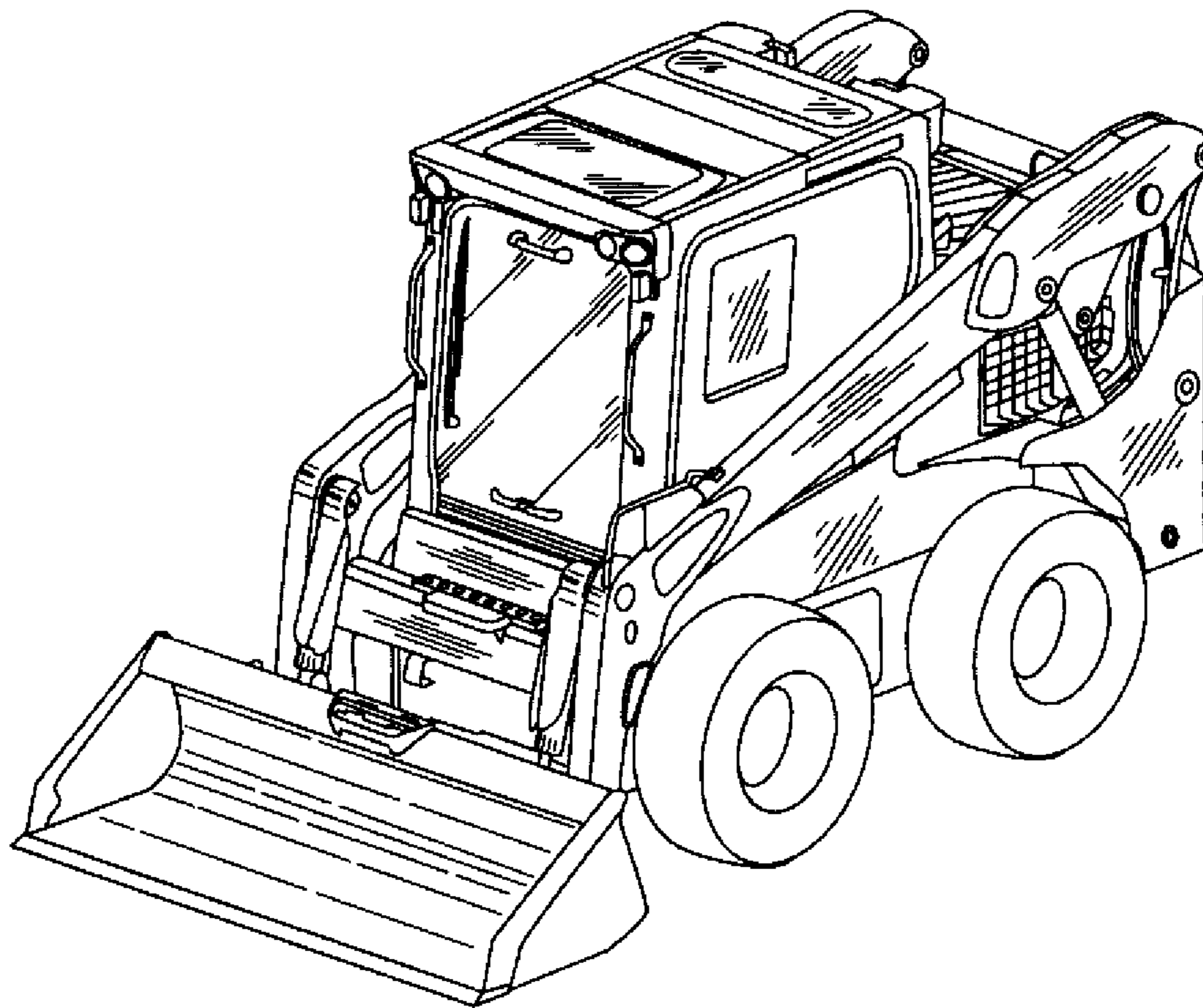


FIG. 2

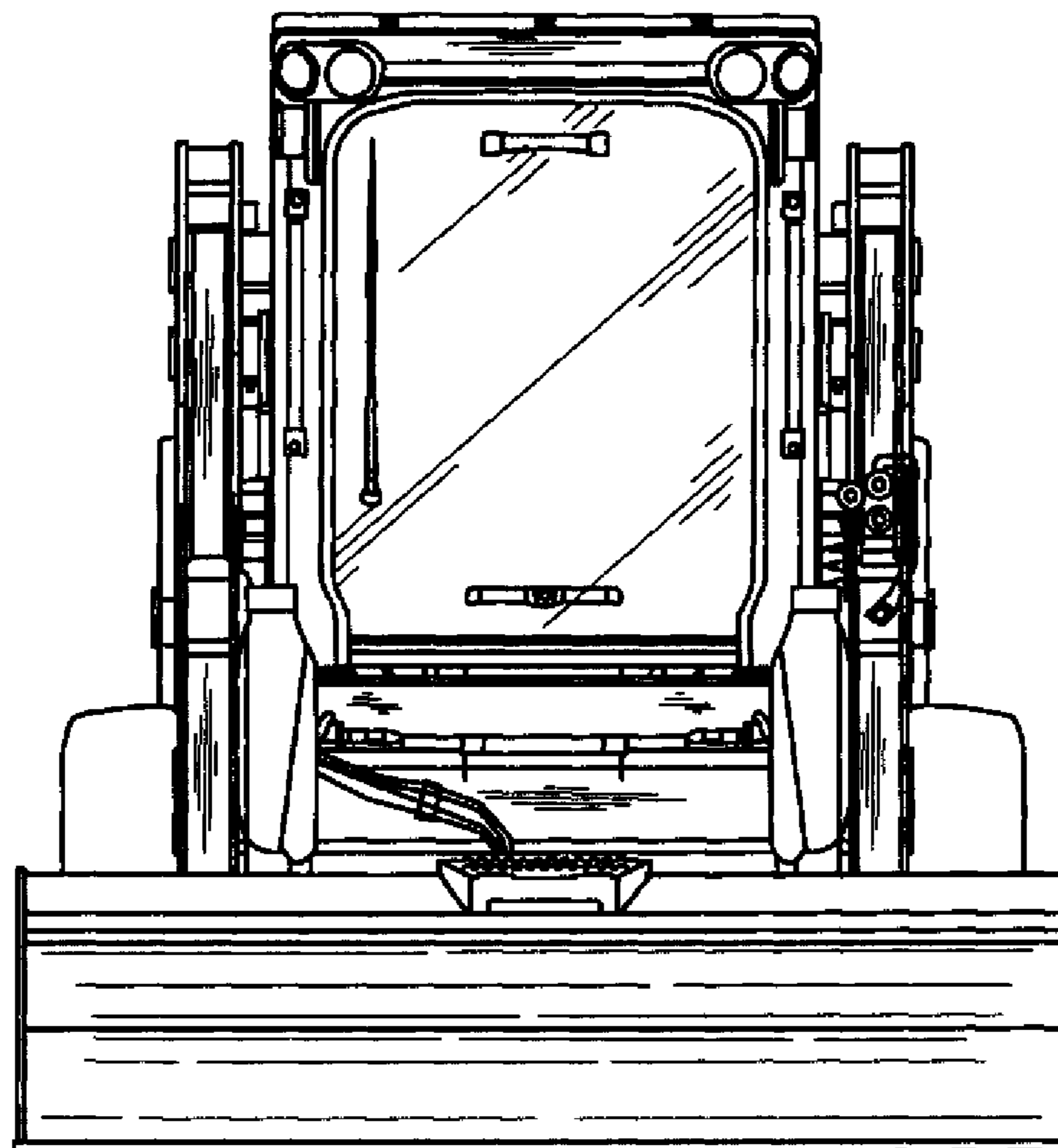


FIG. 3

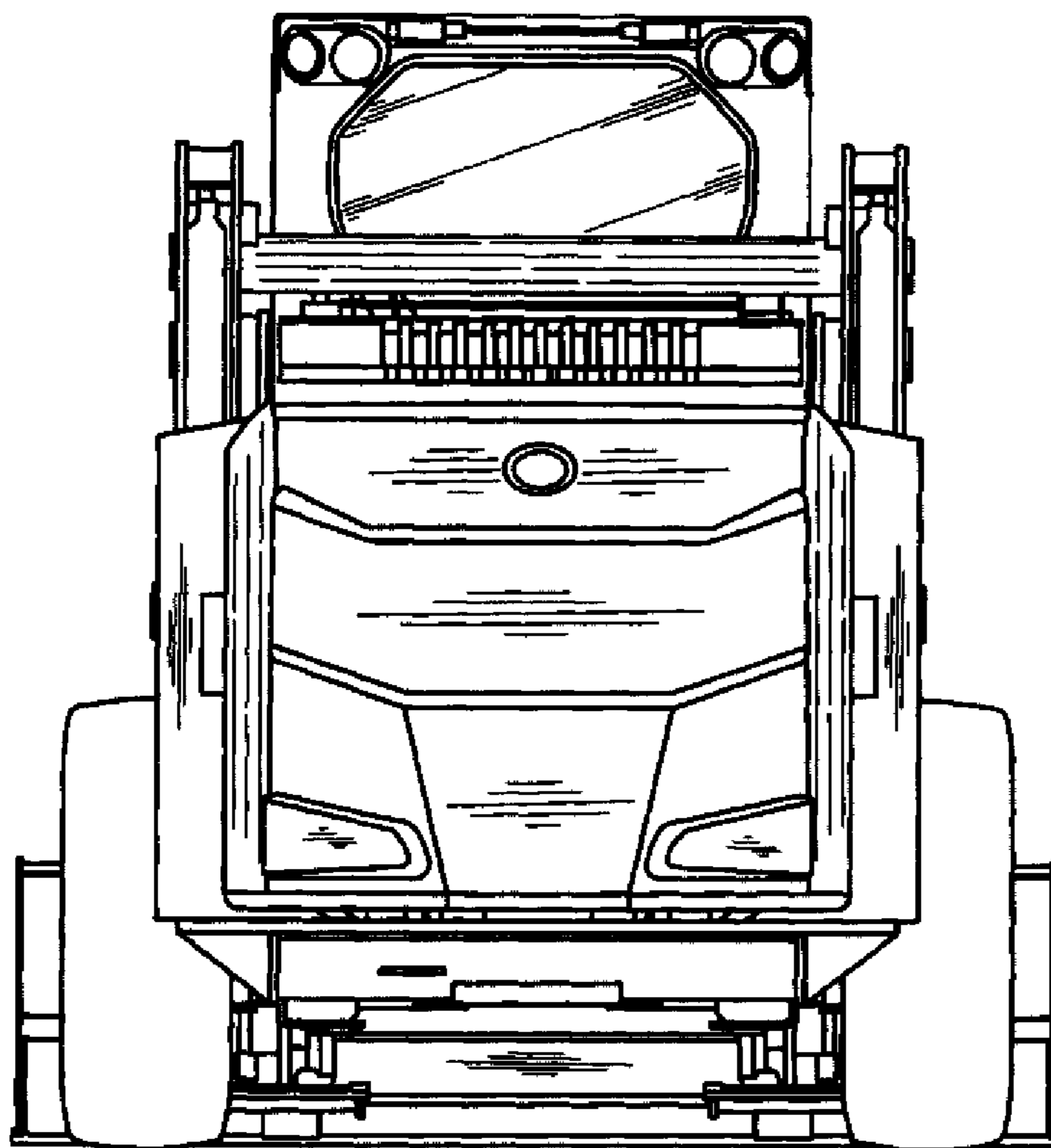


FIG. 4

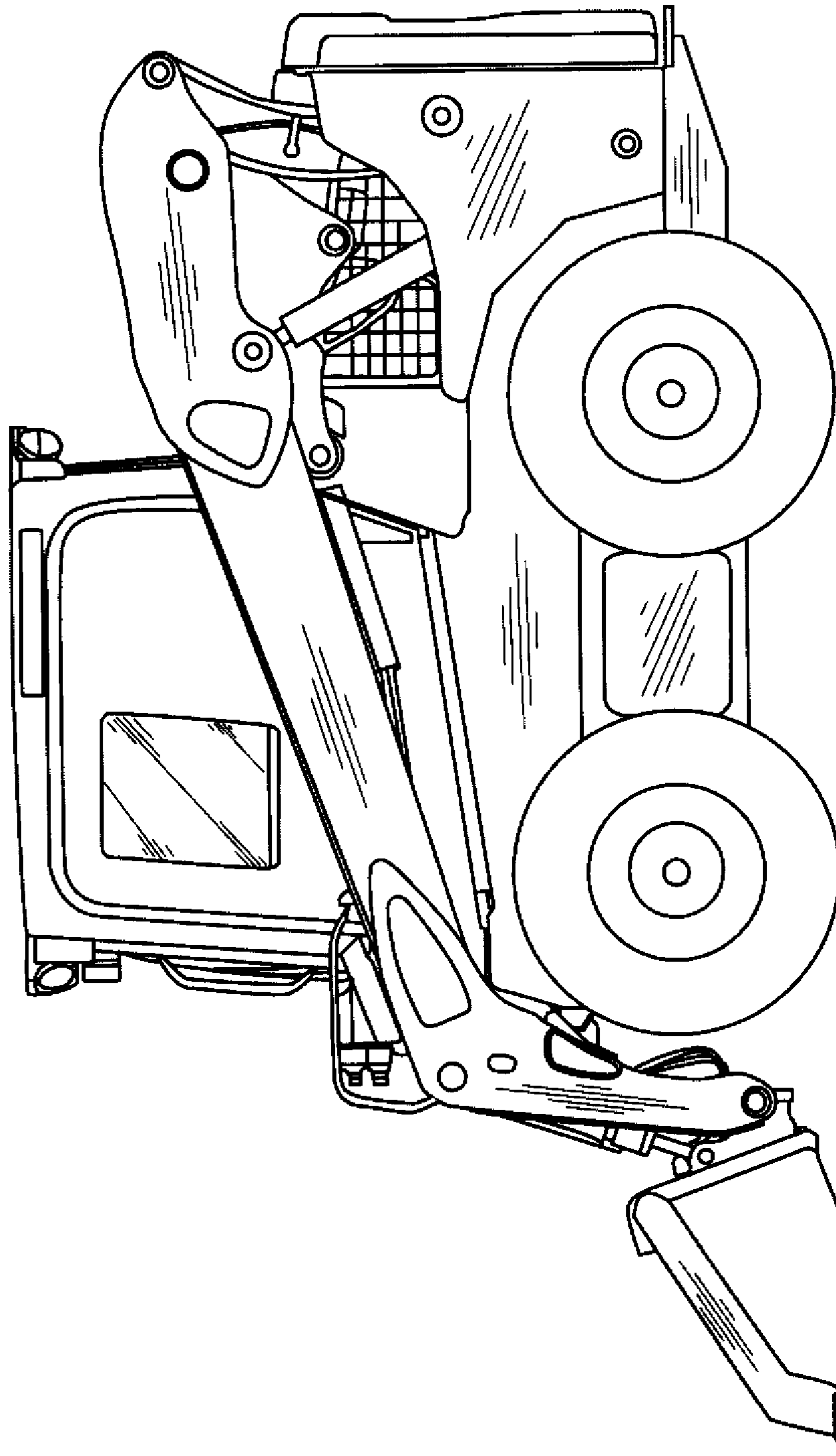


FIG. 5

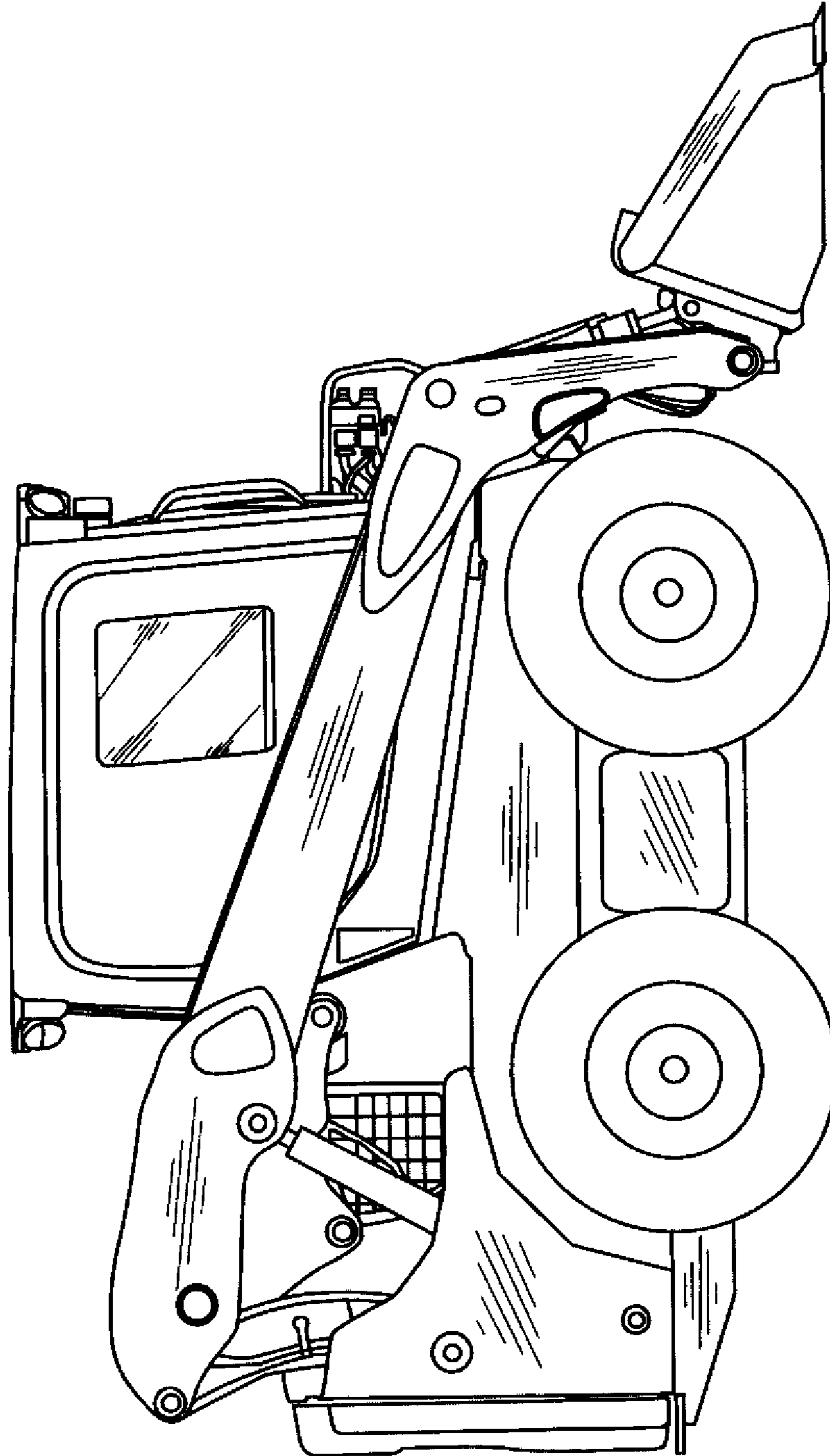


FIG. 6

