



US00D761871S

(12) **United States Design Patent**
Tursi et al.

(10) **Patent No.:** **US D761,871 S**
(45) **Date of Patent:** **** Jul. 19, 2016**

- (54) **DISPLAY SCREEN WITH ICON**
- (71) Applicant: **Microsoft Corporation**, Redmond, WA (US)
- (72) Inventors: **Alex Anthony Tursi**, Seattle, WA (US);
Ramiro Torres, Seattle, WA (US);
David Hose, Redmond, WA (US);
Spring Pumphrey, Redmond, WA (US);
Alex Malkiewicz, Redmond, WA (US);
Mike Lajoie, Redmond, WA (US)
- (73) Assignee: **Microsoft Corporation**, Redmond, WA (US)
- (**) Term: **14 Years**
- (21) Appl. No.: **29/513,344**
- (22) Filed: **Dec. 30, 2014**
- (51) **LOC (10) Cl.** **14-04**
- (52) **U.S. Cl.**
USPC **D14/493**; D14/492
- (58) **Field of Classification Search**
USPC D14/485-495; D19/6-8; D20/11,
D20/22-32, 34-38
CPC ... G06F 3/0481; G06F 3/04817; G06T 13/80;
G06T 15/02
See application file for complete search history.

- D644,657 S * 9/2011 Maitlen D14/492
- D645,471 S * 9/2011 Gardner D14/492
- D653,673 S * 2/2012 Bechtold D14/492
- D667,448 S * 9/2012 Phelan D14/492
- D687,859 S * 8/2013 Oda D14/492
- D695,314 S * 12/2013 Jang D14/493
- D710,882 S * 8/2014 Francisco D14/489
- D750,106 S * 2/2016 Capela D14/485

OTHER PUBLICATIONS

PelFusion, Stand Folder Icon, posted at IconArchive, posting date Mar. 23, 2014. [online], [site visited Feb. 26, 2016]. Available from Internet, <URL: <http://www.iconarchive.com/show/flat-folder-icons-by-pelfusion/Stand-Folder-icon.html>>.*

Rbhavana, Stock Illustration—3d folders, posted at Can Stock Photo, posting date Jan. 13, 2013. [online], [site visited Feb. 26, 2016]. Available from Internet, <URL: <http://www.canstockphoto.com/3d-folders-12311588.html>>.*

* cited by examiner

Primary Examiner — Karen E Kearney

Assistant Examiner — Kathleen Jones

(74) *Attorney, Agent, or Firm* — Banner & Witcoff, Ltd.

(57) **CLAIM**

The ornamental design for a display screen with icon, as shown and described.

DESCRIPTION

FIG. 1 is a front view of a display screen with icon showing the icon enlarged and separate for clarity; and, FIG. 2 is a front view of a display screen with icon showing the new design.

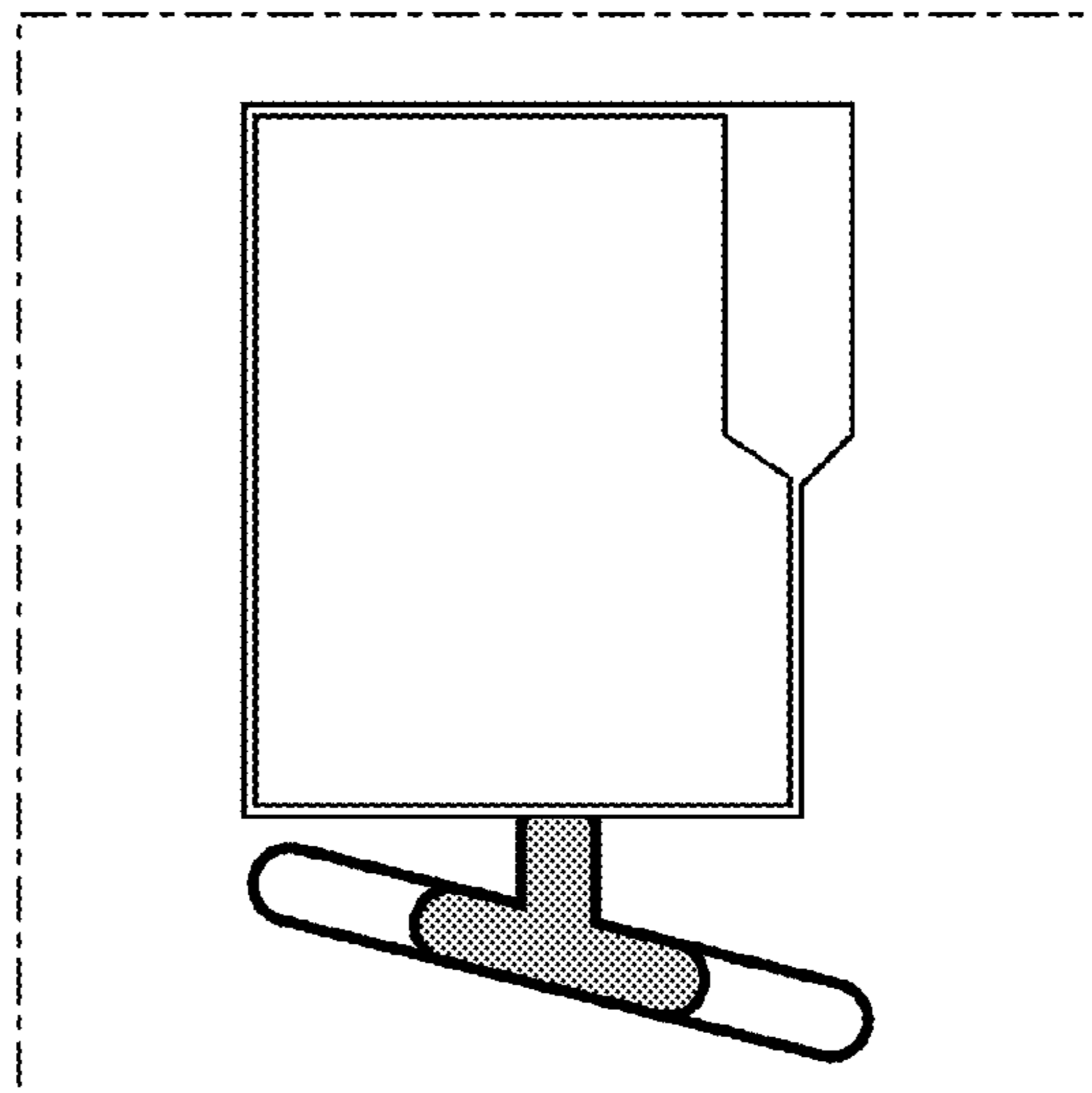
The even-length broken line showing of the remainder of the display screen is for environmental purposes only and forms no part of the claimed design. The uneven-length broken line in FIG. 1 forms the boundary of the region shown in FIG. 2, and forms no part of the claimed design.

1 Claim, 2 Drawing Sheets

(56) **References Cited**

U.S. PATENT DOCUMENTS

- D382,553 S * 8/1997 Thomas D14/489
- D540,812 S 4/2007 Gusmorino et al.
- D549,234 S * 8/2007 O'Donnell D14/492
- D549,236 S 8/2007 O'Donnell et al.
- D549,730 S * 8/2007 O'Donnell D14/492
- D555,167 S * 11/2007 Pieratt D14/492
- D629,009 S 12/2010 O'Donnell et al.
- D642,591 S * 8/2011 O'Donnell D14/492



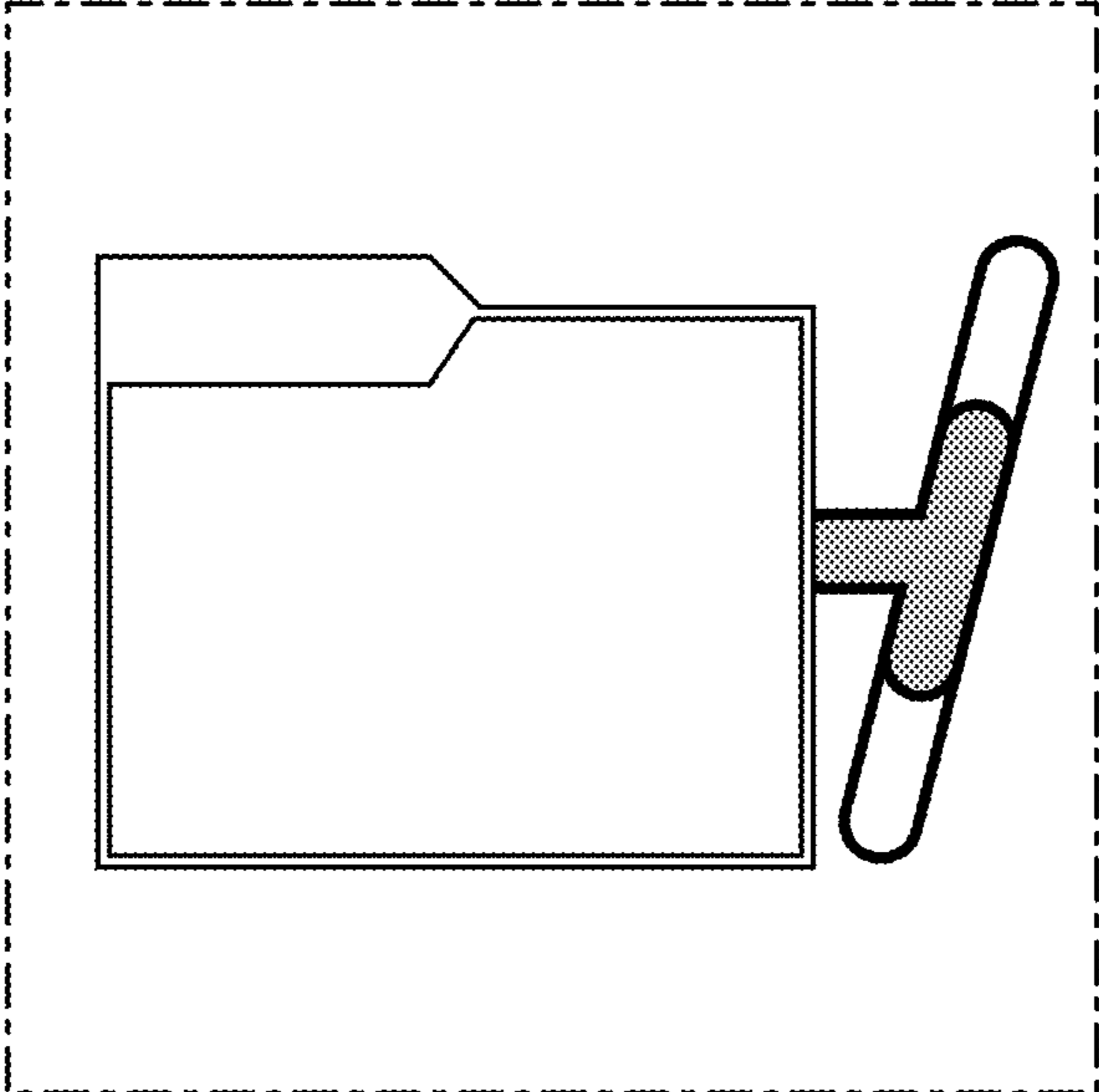


FIG. 1

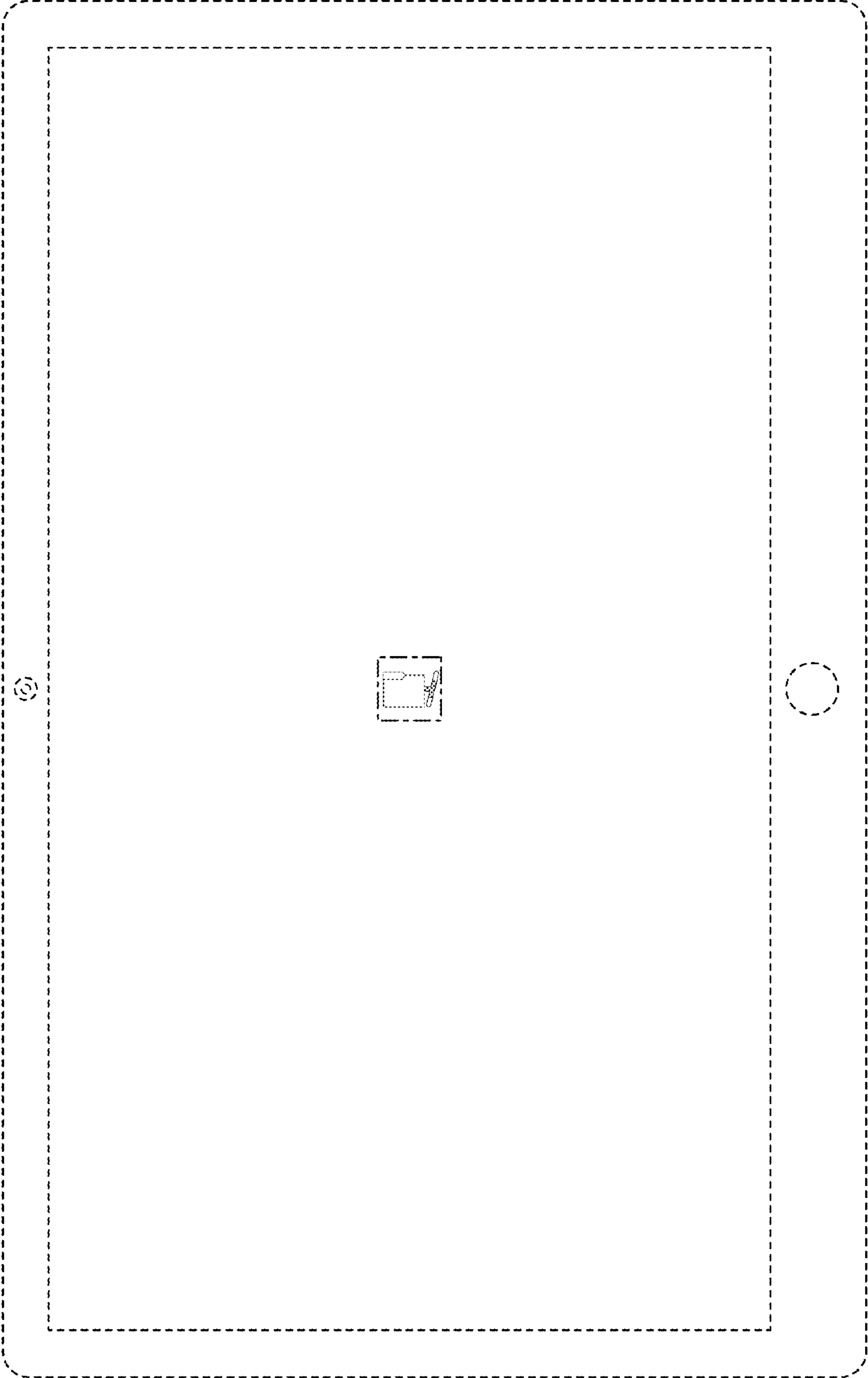


FIG. 2