



US00D761819S

(12) **United States Design Patent**
Lee et al.

(10) **Patent No.:** **US D761,819 S**
(45) **Date of Patent:** **** Jul. 19, 2016**

(54) **DISPLAY SCREEN OR PORTION THEREOF WITH GRAPHICAL USER INTERFACE**

D687,047 S * 7/2013 Hales, IV D14/485
D687,063 S * 7/2013 Myung D14/489
8,542,196 B2 * 9/2013 Pallakoff G06F 3/04886
345/156
D697,076 S * 1/2014 Oda D14/486
D701,226 S * 3/2014 Jung D14/486
D701,521 S * 3/2014 Kim D14/486
D706,806 S * 6/2014 Nishizawa D14/488

(71) Applicant: **Samsung Electronics Co., Ltd.**,
Suwon-si (KR)

(72) Inventors: **Seunguk Lee**, Goyang-si (KR);
Changwon Kim, Asan-si (KR); **Sunmi Jin**, Yongin-si (KR)

(Continued)

(73) Assignee: **Samsung Electronics Co., Ltd.**,
Suwon-si (KR)

FOREIGN PATENT DOCUMENTS

JP 1396831 9/2013
KR 30-2011-0023921 3/2012
KR 30-2013-0022647 7/2013

(**) Term: **14 Years**

OTHER PUBLICATIONS

(21) Appl. No.: **29/517,385**

Shu, Les. "Home Security Cameras: Peace of Mind While You're Away." HouseLogic.com. Feb. 17, 2011. Accessed Mar. 1, 2016. Available online at URL: <<http://www.houselogic.com/home-advice/home-security/home-security-cameras-peace-mind-while-youre-away/>>.*

(22) Filed: **Feb. 12, 2015**

(Continued)

(30) **Foreign Application Priority Data**

Aug. 28, 2014 (KR) 30-2014-0042067

(51) **LOC (10) Cl.** **14-04**

(52) **U.S. Cl.**
USPC **D14/485**

(58) **Field of Classification Search**
USPC D14/485-495; 715/763, 810, 836, 837,
715/846, 847, 977
CPC ... G06F 3/048; G06F 3/0481; G06F 3/04812;
G06F 3/04817; G06F 3/0482; G06F 3/0483;
G06F 3/0484; G06F 3/04855; G06Q 30/00
See application file for complete search history.

Primary Examiner — Eric Goodman
Assistant Examiner — Christian P McLean
(74) *Attorney, Agent, or Firm* — NSIP Law

(57) **CLAIM**
We claim the ornamental design for a display screen or portion thereof with graphical user interface, as shown and described.

(56) **References Cited**

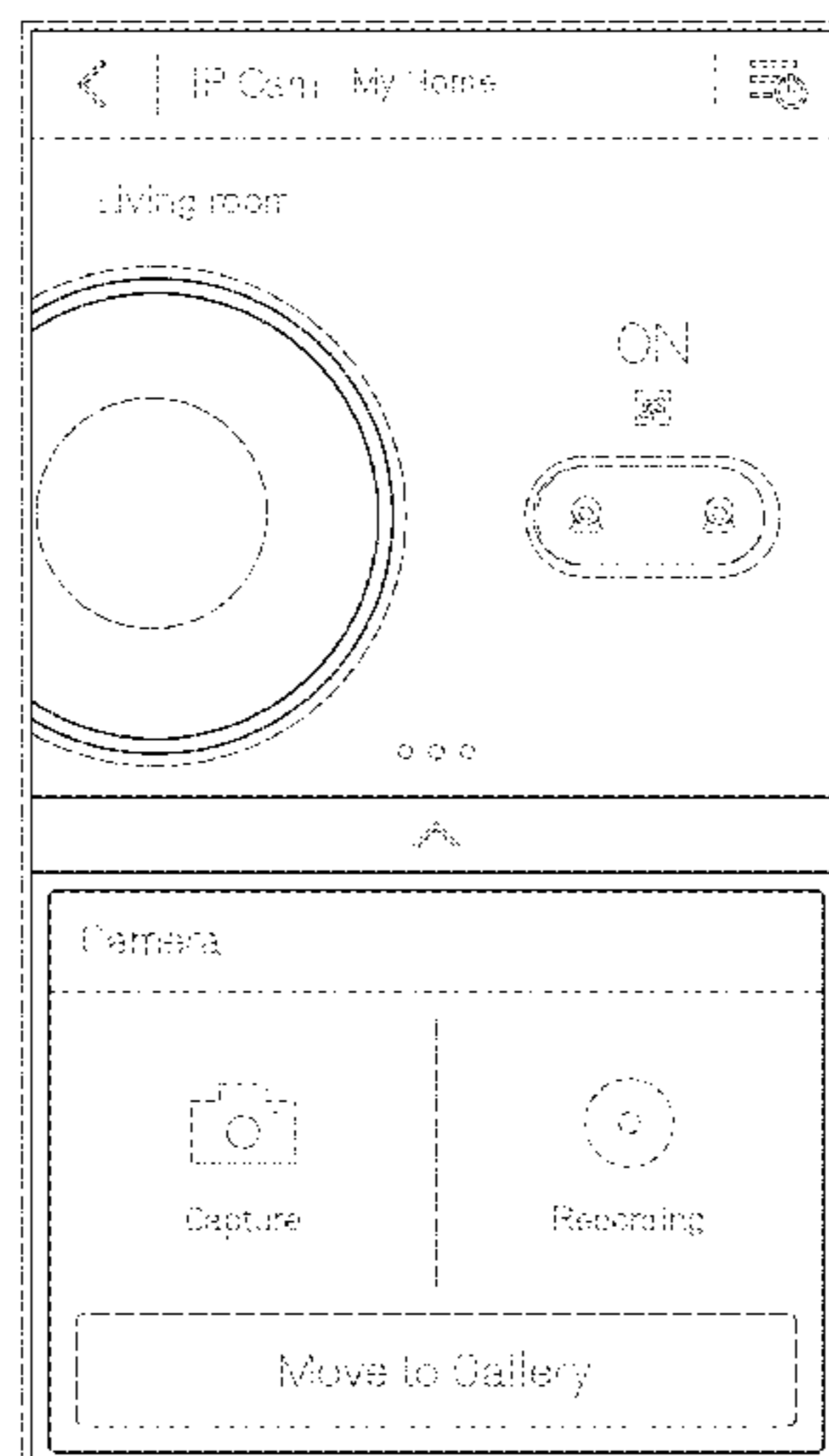
DESCRIPTION

U.S. PATENT DOCUMENTS

D534,541 S * 1/2007 Retuta D14/486
8,392,849 B2 * 3/2013 Jung G06F 3/04817
715/788
D684,586 S * 6/2013 Plesnicher D14/486
D687,043 S * 7/2013 Matas D14/485
D687,045 S * 7/2013 Plitkins D14/485
D687,046 S * 7/2013 Plitkins D14/485

FIGURE is a front view of a display screen or portion thereof with graphical user interface showing our new design. The broken line around the FIGURE shows the display screen or portion thereof and forms no part of the claimed design. The broken lines within the FIGURE shows unclaimed portions of the graphical user interface and forms no part of the claimed design.

1 Claim, 1 Drawing Sheet



(56)

References Cited

U.S. PATENT DOCUMENTS

D709,914 S * 7/2014 Berdan D14/490
 D710,867 S * 8/2014 Nies D14/486
 D713,412 S * 9/2014 Gall D14/485
 D714,324 S * 9/2014 Barling D14/485
 D716,316 S * 10/2014 Behzadi D14/485
 D716,318 S * 10/2014 Fan D14/485
 D716,325 S * 10/2014 Brudnicki D14/486
 D717,823 S * 11/2014 Brotman D14/486
 8,896,656 B2 * 11/2014 Epstein H04N 5/268
 348/14.05
 D719,180 S * 12/2014 Liang D14/486
 D721,087 S * 1/2015 Barling D14/485
 D721,724 S * 1/2015 Horst D14/486
 D725,138 S * 3/2015 Brotman D14/486
 D725,663 S * 3/2015 Yoneda D14/486
 D730,367 S * 5/2015 Ryan D14/485
 D735,229 S * 7/2015 Lim D14/486
 9,098,114 B2 * 8/2015 Potter G06F 3/017
 9,152,295 B2 * 10/2015 Lai G06F 3/0481
 D747,333 S * 1/2016 Supino D14/486
 D748,101 S * 1/2016 Bang D14/485
 D748,644 S * 2/2016 Huang D14/485
 D749,092 S * 2/2016 Lee D14/485
 D749,107 S * 2/2016 Amiya D14/486
 2003/0153992 A1 * 8/2003 Maruyama G06F 1/1632
 700/83
 2011/0035691 A1 * 2/2011 Kim G06F 3/04817
 715/765
 2011/0191708 A1 * 8/2011 Reed G06F 3/048
 715/765

2013/0326407 A1 * 12/2013 van Os G01C 21/00
 715/810
 2014/0006965 A1 * 1/2014 Xu G06F 3/048
 715/741
 2014/0173439 A1 * 6/2014 Gutierrez G08B 21/24
 715/727
 2014/0184471 A1 * 7/2014 Martynov G06F 3/1423
 345/1.2
 2014/0317527 A1 * 10/2014 Won G06F 3/04897
 715/746
 2014/0365944 A1 * 12/2014 Moore G06F 3/0484
 715/772
 2014/0380218 A1 * 12/2014 Johnnie A61B 5/157
 715/771
 2015/0161836 A1 * 6/2015 Park G07C 9/00134
 340/5.51
 2016/0011767 A1 * 1/2016 Jung G06F 3/0488
 715/847

OTHER PUBLICATIONS

“Plug-in App (A/C).” Google Play. Updated Jan. 15, 2015. Accessed Mar. 1, 2016. Available online at URL: <<https://play.google.com/store/apps/details?id=com.samsung.smarthome.aircon>>.*
 Sam Bible. “iPhone ThermoStat App”. [2013] www.dribbble.com. Mar. 20, 2013. <<https://dribbble.com/shots/992651-iPhone-ThermoStat-App>>.
 Wezeo. “Smart Home iOS application”. [2012] www.wookmark.com. Oct. 29, 2012. <<http://www.wookmark.com/image/163068/smart-home-on>> Additional Link <<https://www.behance.net/gallery/SMART-Home/5707011#>>>.

* cited by examiner

